



US00D564634S

(12) **United States Design Patent**  
**Kirar**

(10) **Patent No.:** **US D564,634 S**

(45) **Date of Patent:** **\*\* \*Mar. 18, 2008**

(54) **FAUCET**

(75) Inventor: **Laura K. Kirar**, New York, NY (US)

(73) Assignee: **Kohler Co.**, Kohler, WI (US)

(\*) Notice: This patent is subject to a terminal disclaimer.

(\*\*) Term: **14 Years**

(21) Appl. No.: **29/280,661**

(22) Filed: **Jun. 4, 2007**

**Related U.S. Application Data**

(63) Continuation of application No. 29/256,169, filed on Mar. 16, 2006.

(51) **LOC (8) Cl.** ..... **23-01**

(52) **U.S. Cl.** ..... **D23/250**

(58) **Field of Classification Search** ..... D23/238–243,  
D23/250–257; 4/675–678; 137/801  
See application file for complete search history.

(56) **References Cited**

**U.S. PATENT DOCUMENTS**

D322,841 S	*	12/1991	Kohler et al. ....	D23/255
D373,179 S		8/1996	Sieger	
D456,878 S		5/2002	Gottwald	
D531,698 S	*	11/2006	Wood et al. ....	D23/238
D532,866 S	*	11/2006	Kirar .....	D23/238
D534,622 S	*	1/2007	Chu et al. ....	D23/238

**FOREIGN PATENT DOCUMENTS**

EM	000211545	11/2004
WO	DM062121	1/2003

**OTHER PUBLICATIONS**

Dornbracht, "Tara Classic", Sieger Design, single-lever mixer with rinsing spray set. (www.dornbracht.com).

Altmans 2004 Suggested List Price Book, catalog p. 12. 2004 Lever Selection Guide, Model Non. L16 (lined lever).

Kohler Co., "Wellspring Beverage faucet", Model No. K6666.

\* cited by examiner

*Primary Examiner*—Robert A. Delehanty

(74) *Attorney, Agent, or Firm*—Quarles & Brady LLP

(57) **CLAIM**

The ornamental design for a faucet, as shown and described.

**DESCRIPTION**

In a preferred embodiment, the nature of this product is as a plumbing fixture in the form of a faucet for washing various items and/or body parts.

FIG. 1 is a right, top, front perspective view of a faucet embodying my new design;

FIG. 2 is a right side elevational view thereof;

FIG. 3 front elevational view thereof;

FIG. 4 is a rear elevational view thereof;

FIG. 5 is a left side elevational view thereof;

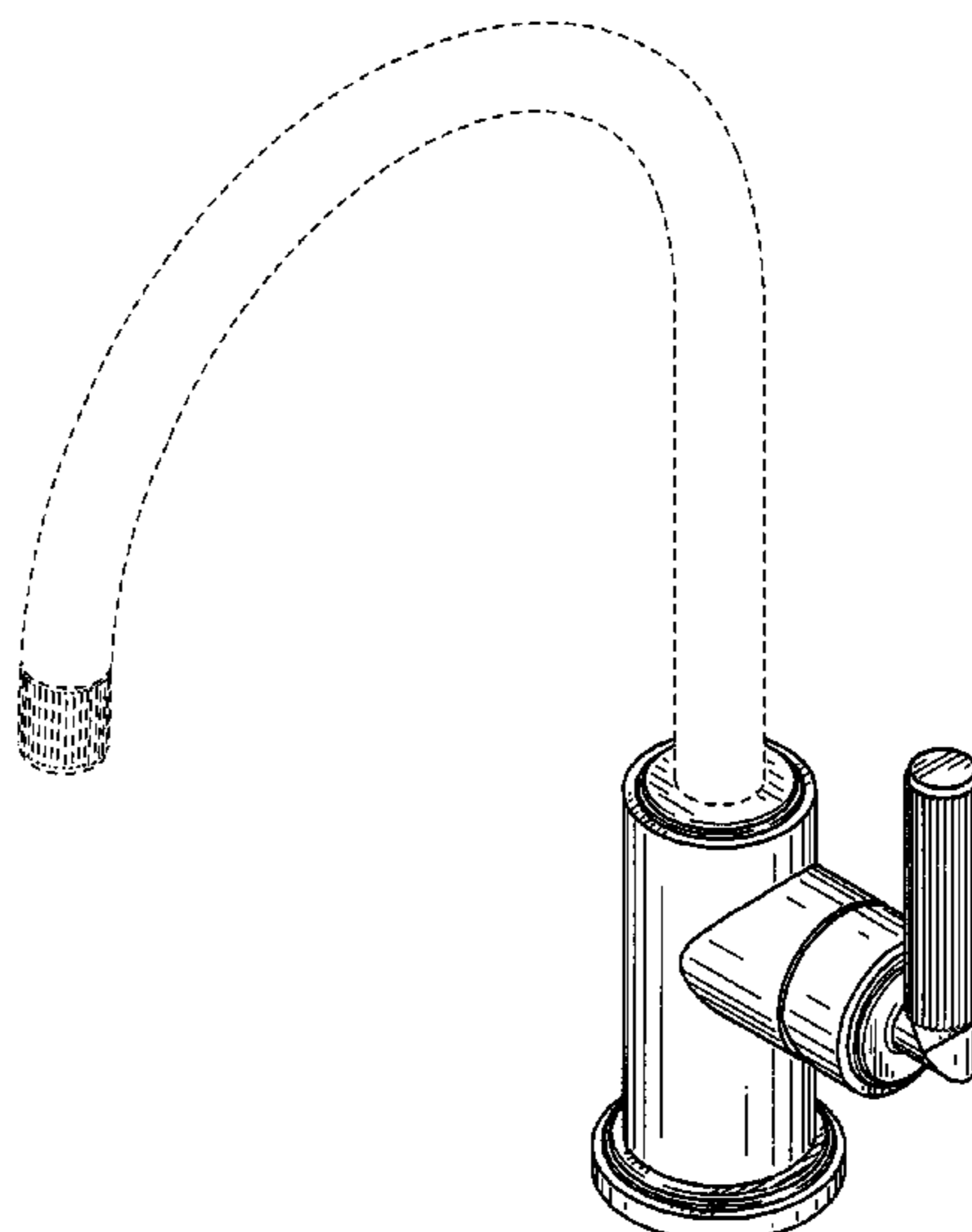
FIG. 6 is a top plan view thereof;

FIG. 7 is a bottom plan view thereof; and,

FIG. 8 is a left, top front perspective view of a faucet according to another embodiment of my new design, the left side, front, rear and right side elevational views thereof being mirror images of respective FIGS. 2–5 and the top and bottom plan views thereof being mirror images of respective FIGS. 6 and 7.

The broken line representation of openings in FIG. 7 is for the purpose of illustration only, and form no part of the claimed design.

**1 Claim, 6 Drawing Sheets**



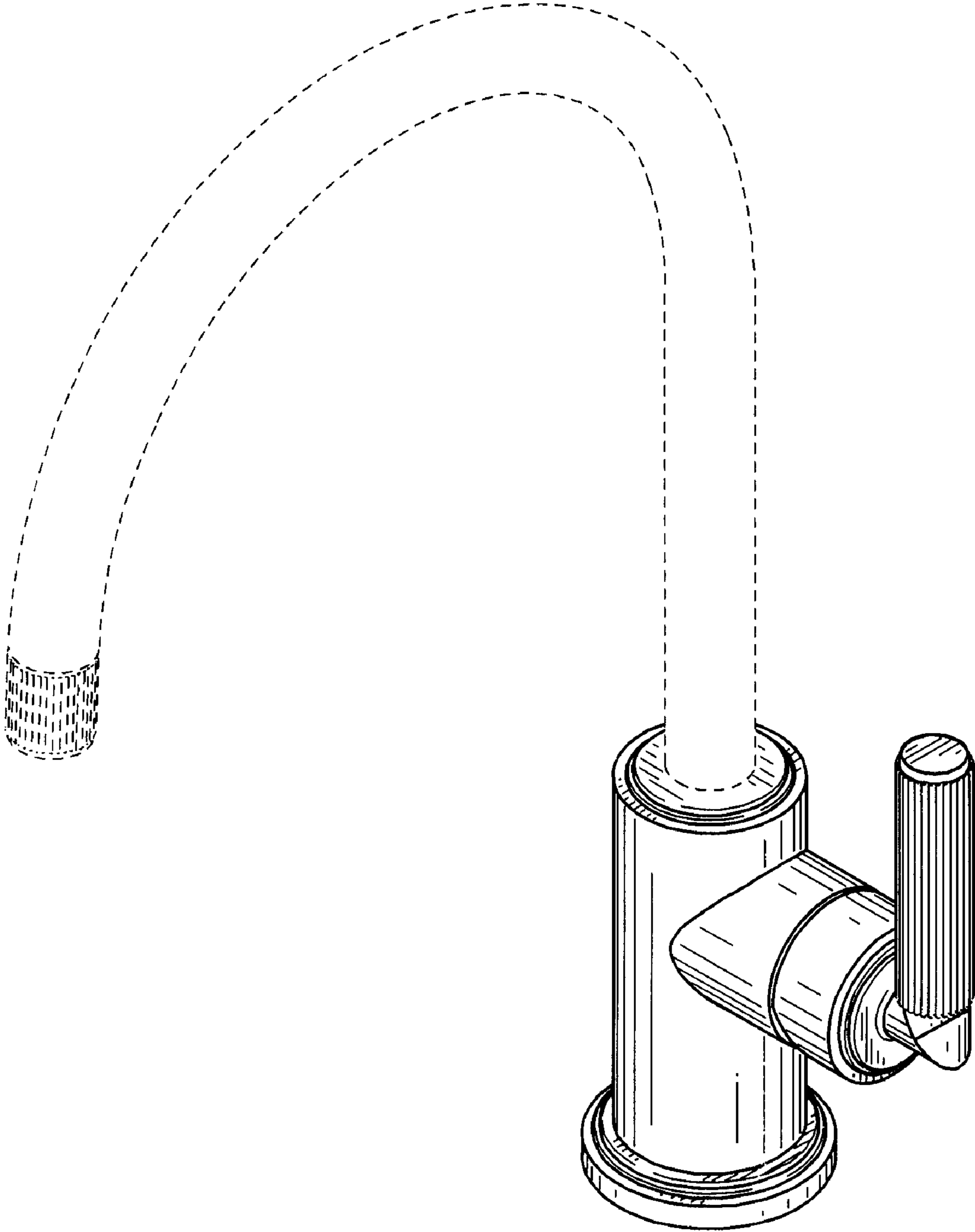


FIG. 1

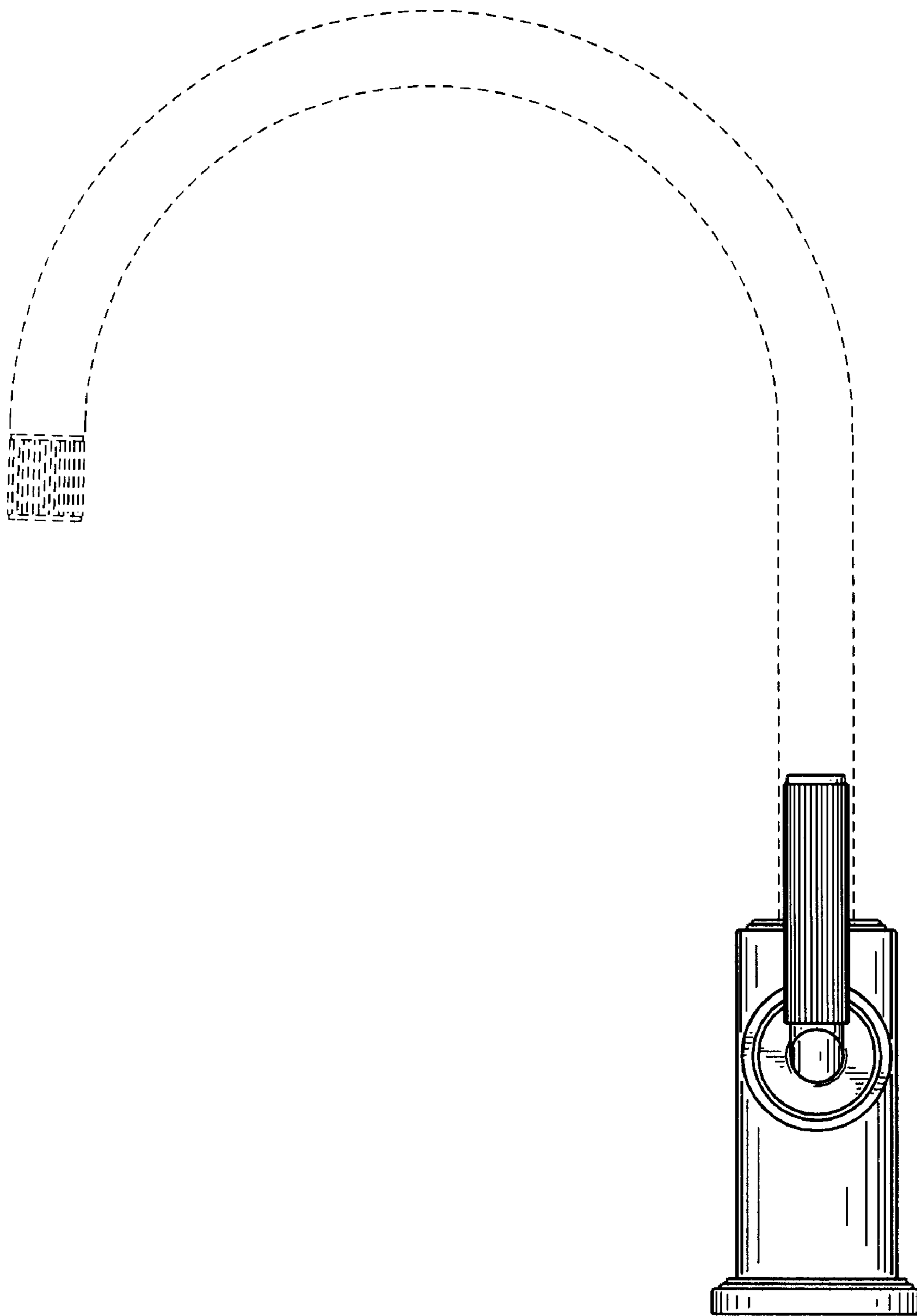


FIG. 2

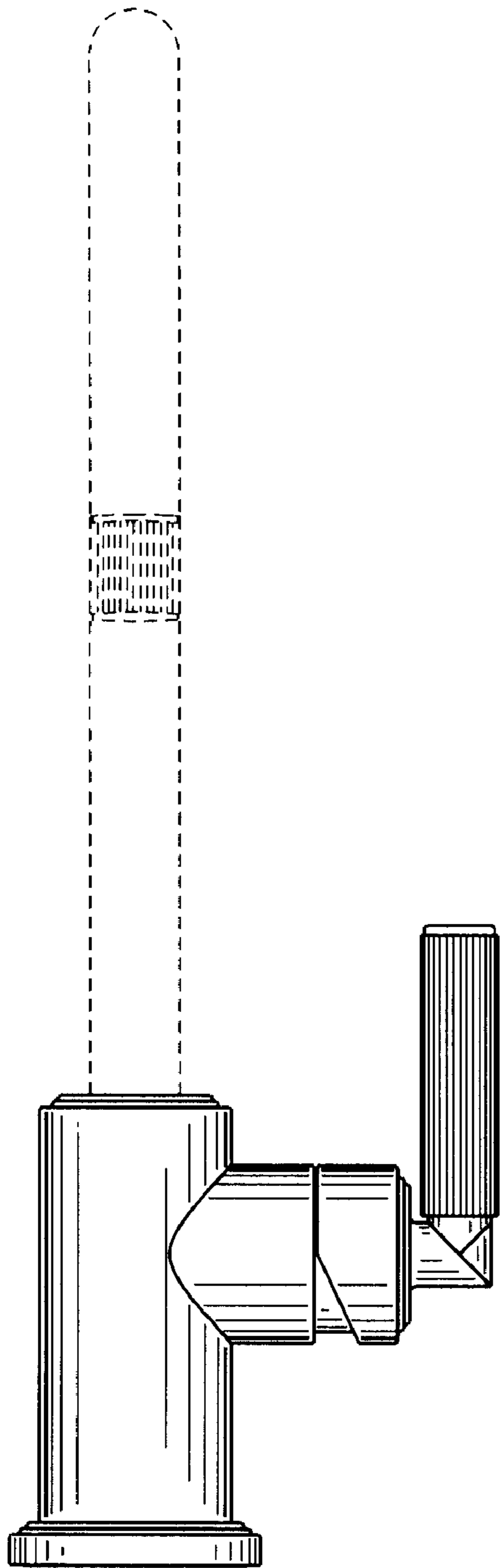


FIG. 3

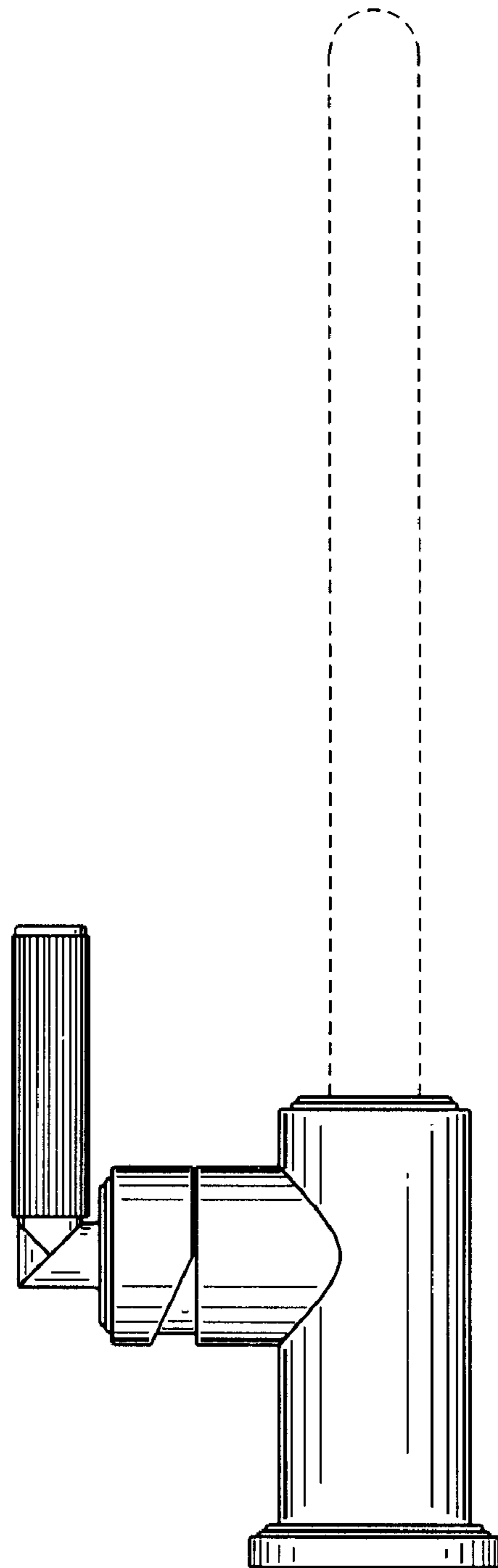


FIG. 4

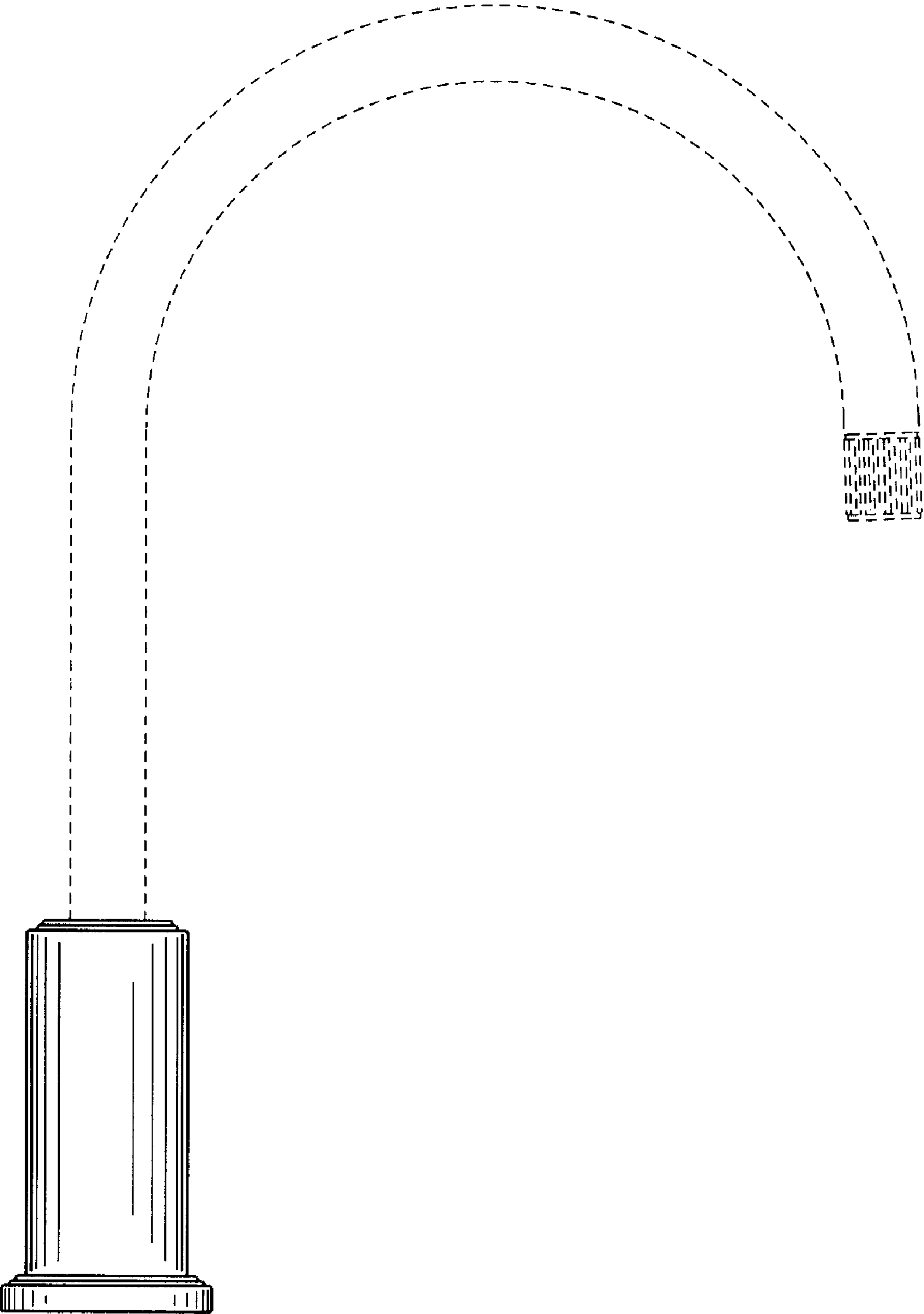


FIG. 5

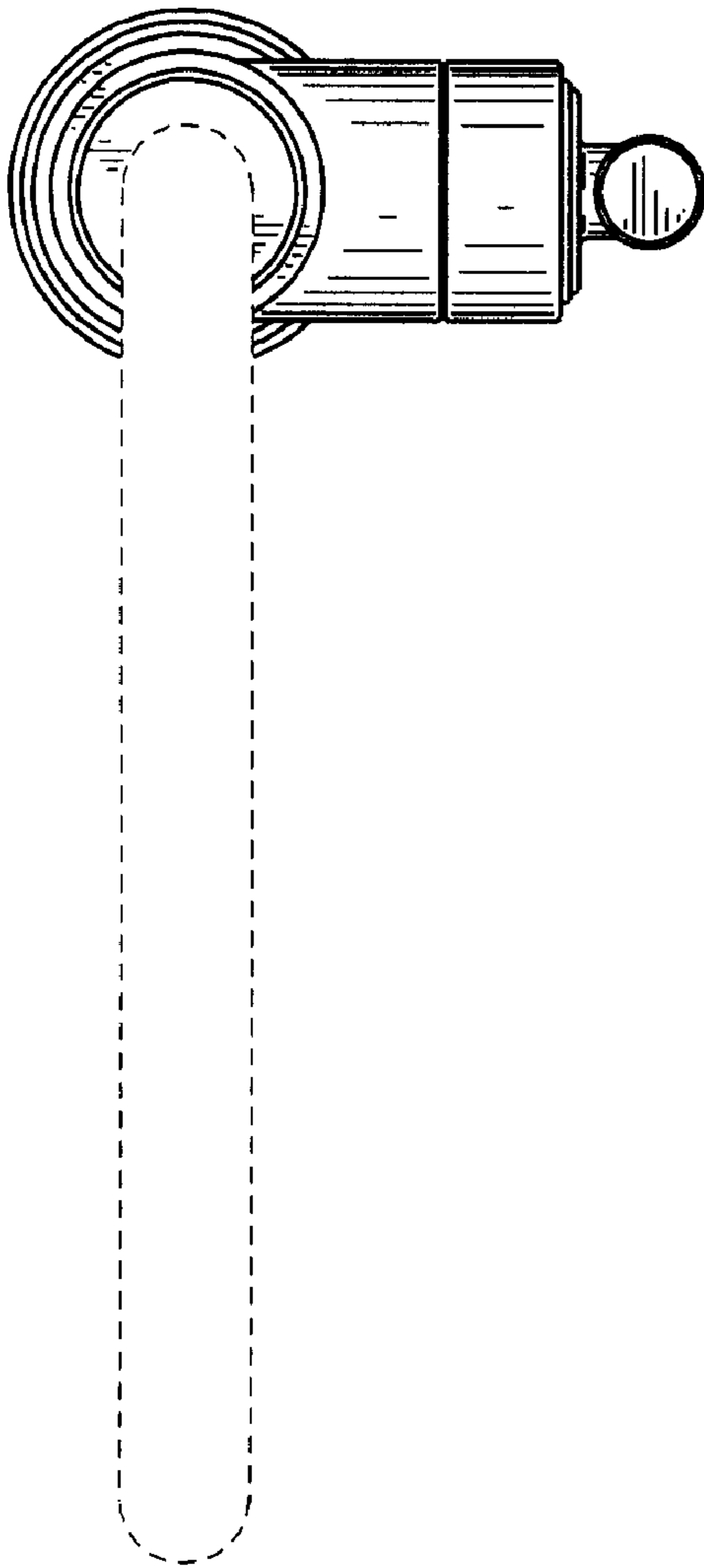


FIG. 6

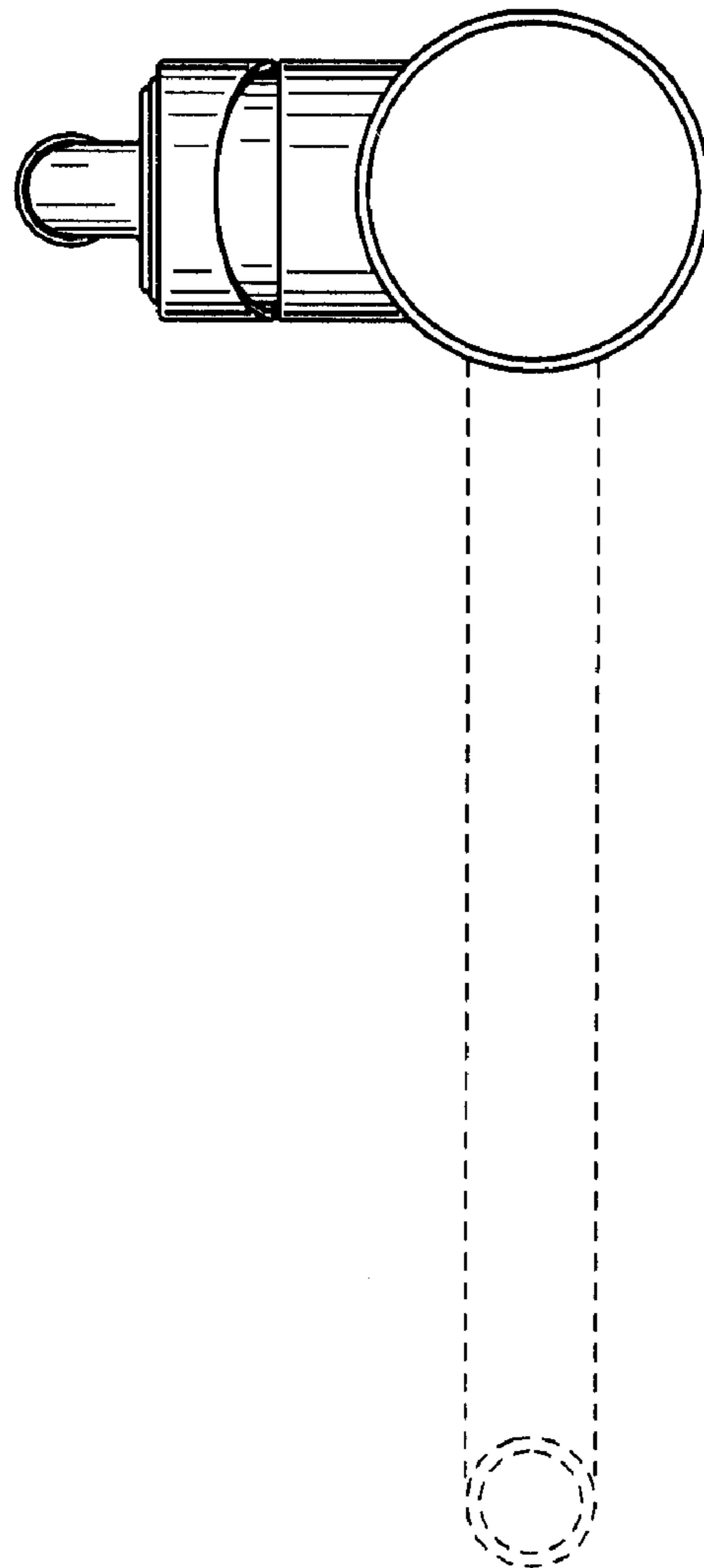


FIG. 7

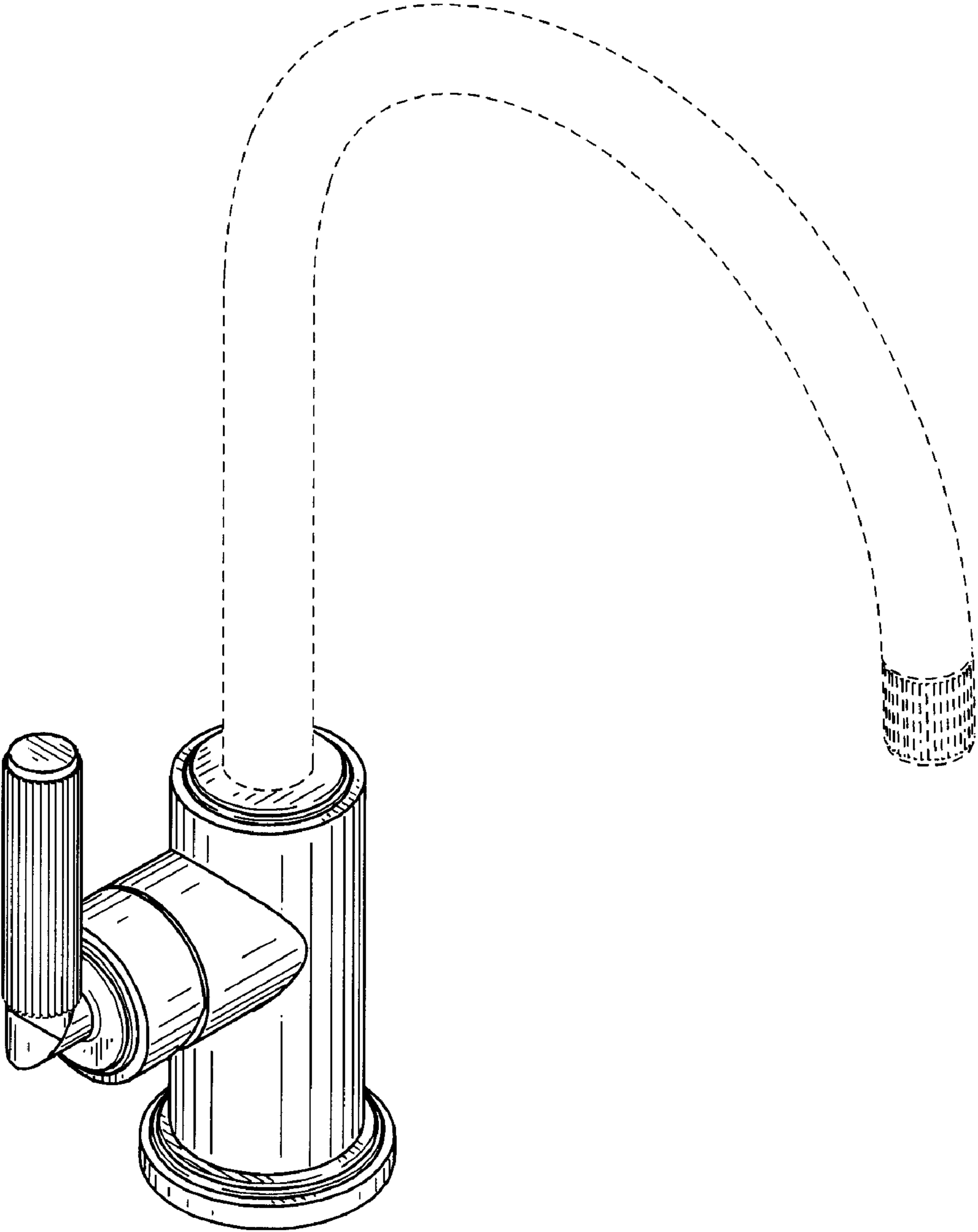


FIG. 8