



US00D564626S

(12) **United States Design Patent**
Rexach

(10) **Patent No.:** **US D564,626 S**
(45) **Date of Patent:** **** Mar. 18, 2008**

(54) **PLUMBING FITTING**

(75) Inventor: **Rafael A. Rexach**, Kohler, WI (US)

(73) Assignee: **Kohler Co.**, Kohler, WI (US)

(**) Term: **14 Years**

(21) Appl. No.: **29/250,586**

(22) Filed: **Nov. 22, 2006**

(51) **LOC (8) Cl.** **23-01**

(52) **U.S. Cl.** **D23/229**

(58) **Field of Classification Search** D23/213,
D23/229–230, 223; 239/282–283, 394; 4/615,
4/567, 570

See application file for complete search history.

(56) **References Cited**

U.S. PATENT DOCUMENTS

D465,553 S	*	11/2002	Singtoroj	D23/229
D467,300 S		12/2002	Singtoroj		
D509,282 S	*	9/2005	Blomstrom	D23/229
D523,520 S		6/2006	Theberge		
D524,411 S	*	7/2006	Eilmus	D23/229
D524,905 S		7/2006	Hoernig		
D539,385 S	*	3/2007	Dempsey et al.	D23/213
D544,944 S	*	6/2007	Li	D23/213

OTHER PUBLICATIONS

Kohler Co. "Memoirs Multifunction Showerhead in Vibrant Brushed Nickel". Model No. K-444-BM. Kohler Co. catalog.
Kohler Co. "Memoirs Single-Function showerhead with Stately Design". Model No. K-449. Kohler Co. online catalog. Copyright 2006 Kohler Co.

Harden. "Old Style Shower Head". Model No. 2A. Harden catalog. Copyright Aug. 1989.

* cited by examiner

Primary Examiner—Robin V Webster

(74) *Attorney, Agent, or Firm*—Quarles & Brady LLP

(57) **CLAIM**

The ornamental design for a plumbing fitting, as shown and described.

DESCRIPTION

In a preferred embodiment, the nature of this product is as a plumbing fitting in the form of a showerhead, or a support arm therefore, primary useful for washing body parts.

FIG. 1 is a left, top, front perspective view of a plumbing fitting of my new design;

FIG. 2 is a left side elevational view thereof, the right side elevational view thereof being a mirror image of the left side shown;

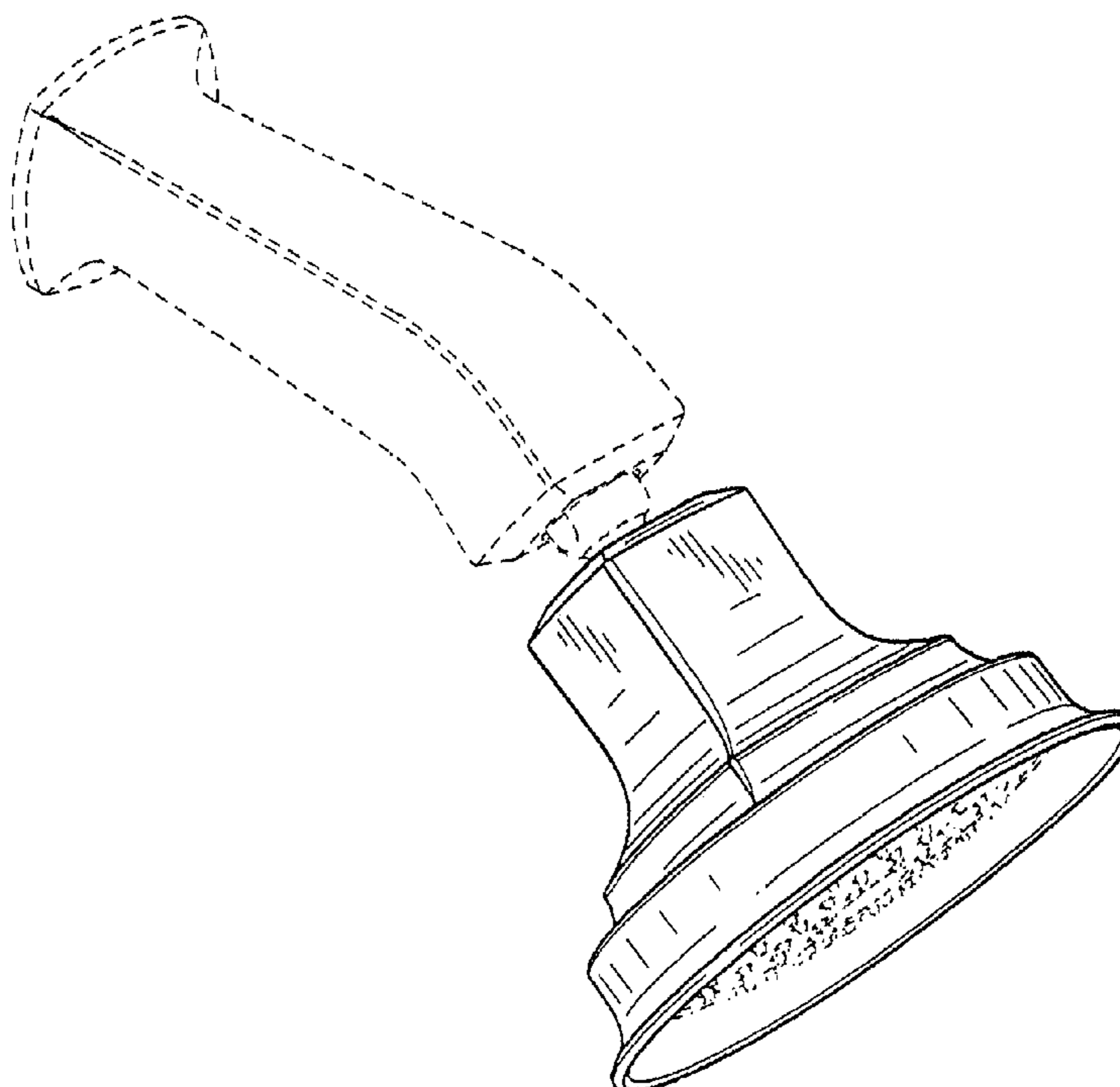
FIG. 3 is a top plan view thereof;

FIG. 4 is a front elevational view thereof; and,

FIG. 5 is a bottom plan view thereof.

The broken line representations of support arm environment in FIGS. 1–5, and nozzle face structure in FIGS. 1, 4 and 5 are for the purpose of illustration only, and form no part of the claimed design.

1 Claim, 3 Drawing Sheets



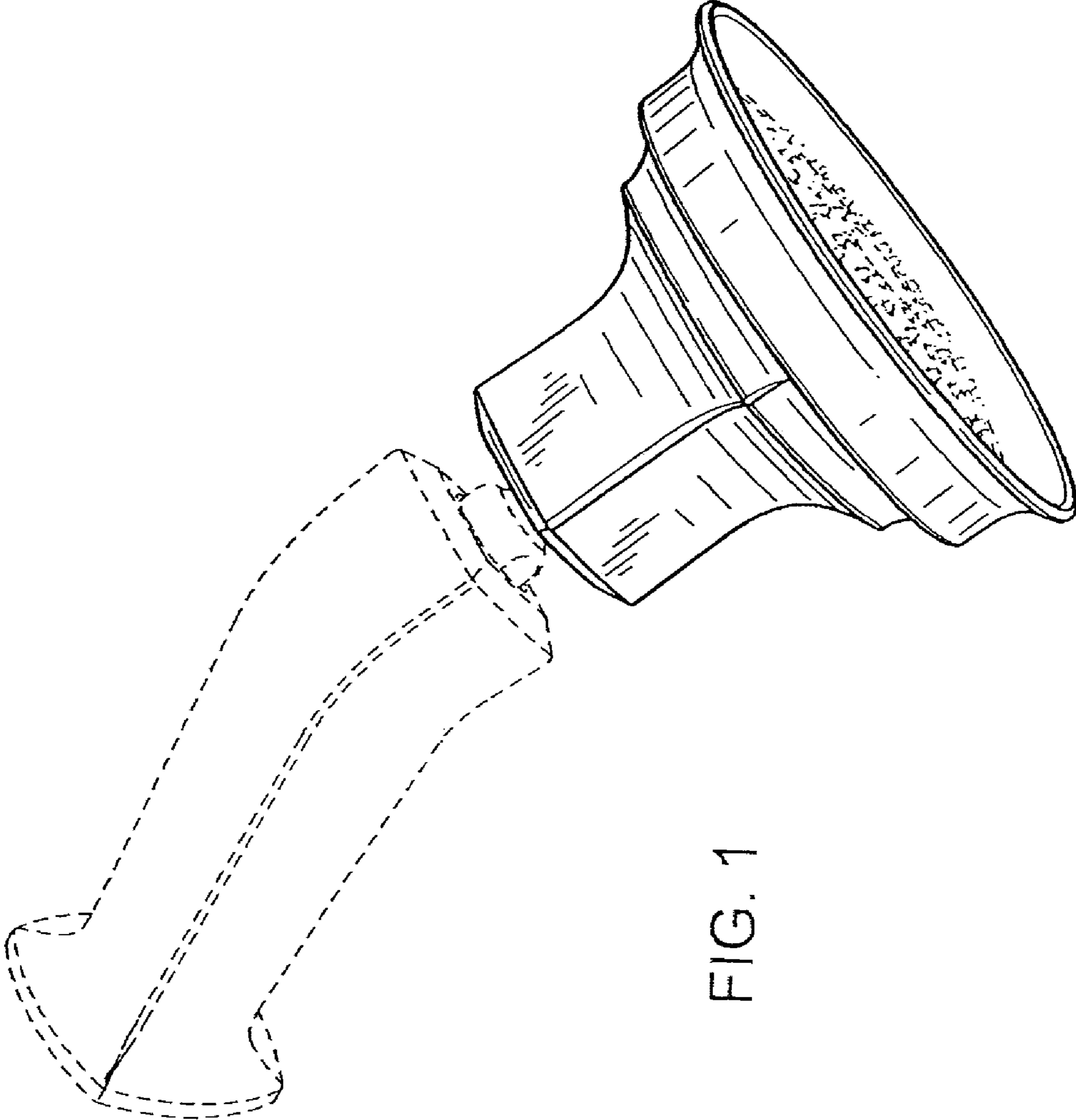


FIG. 1

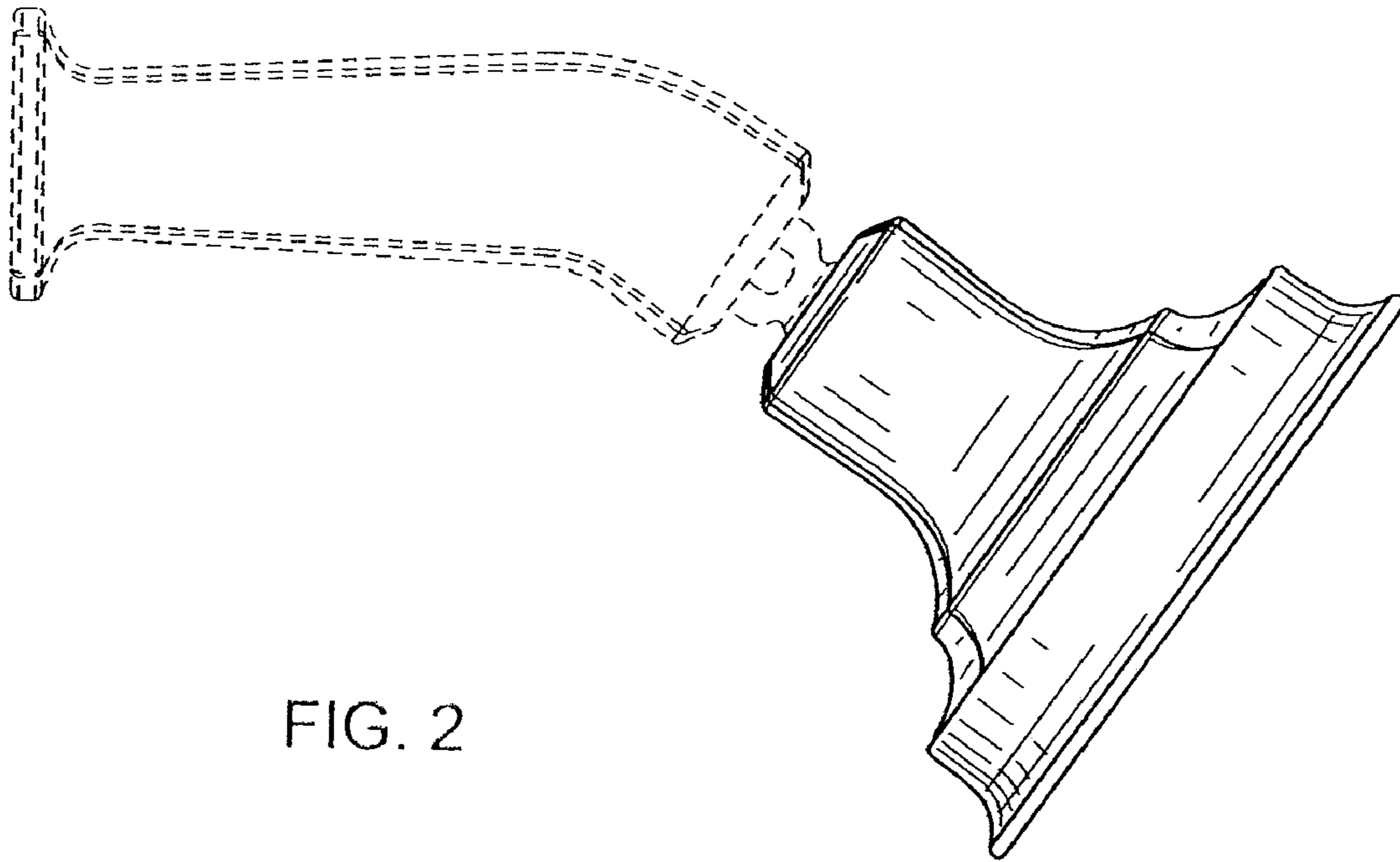


FIG. 2

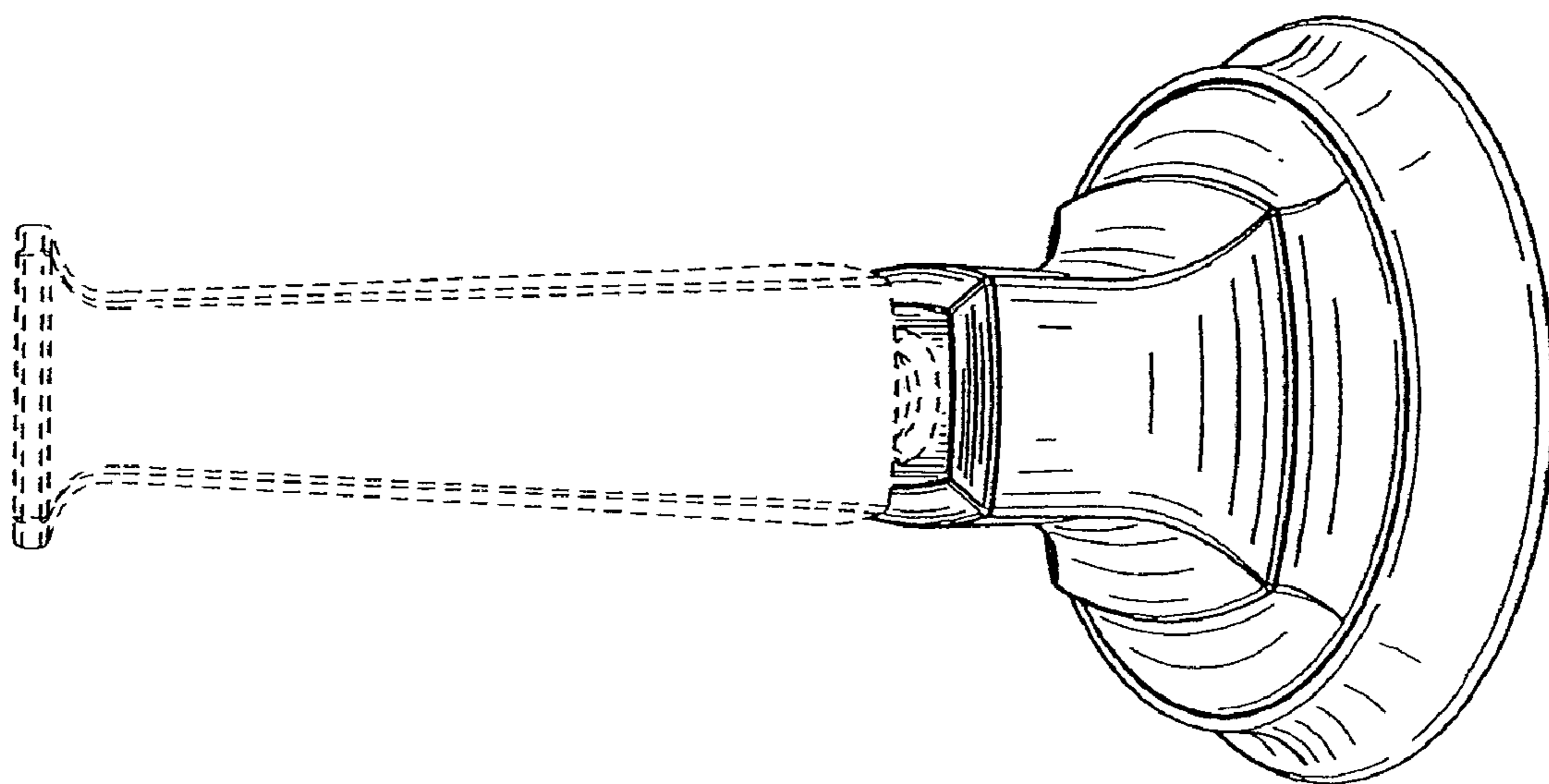


FIG. 3

FIG. 4

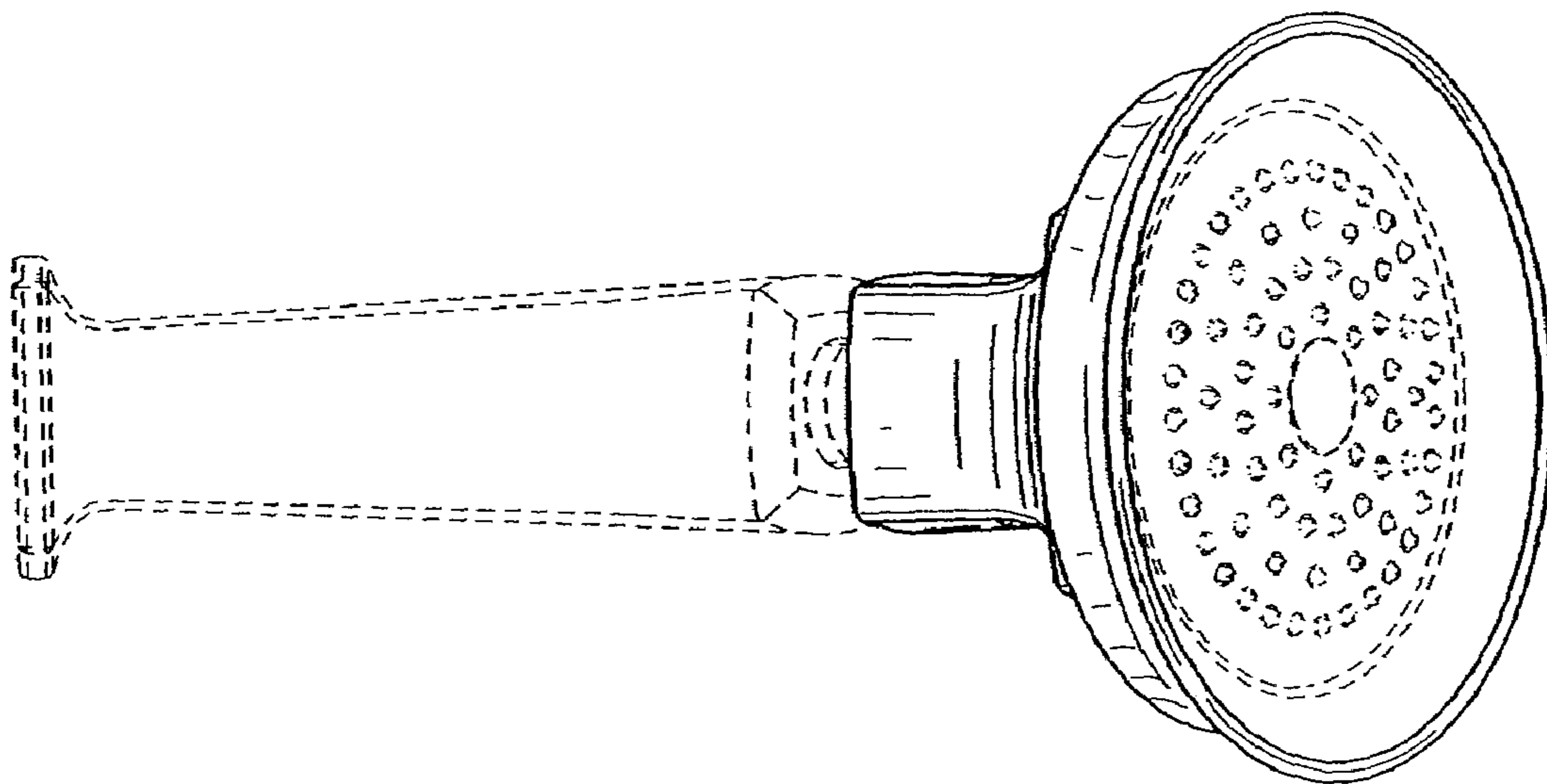
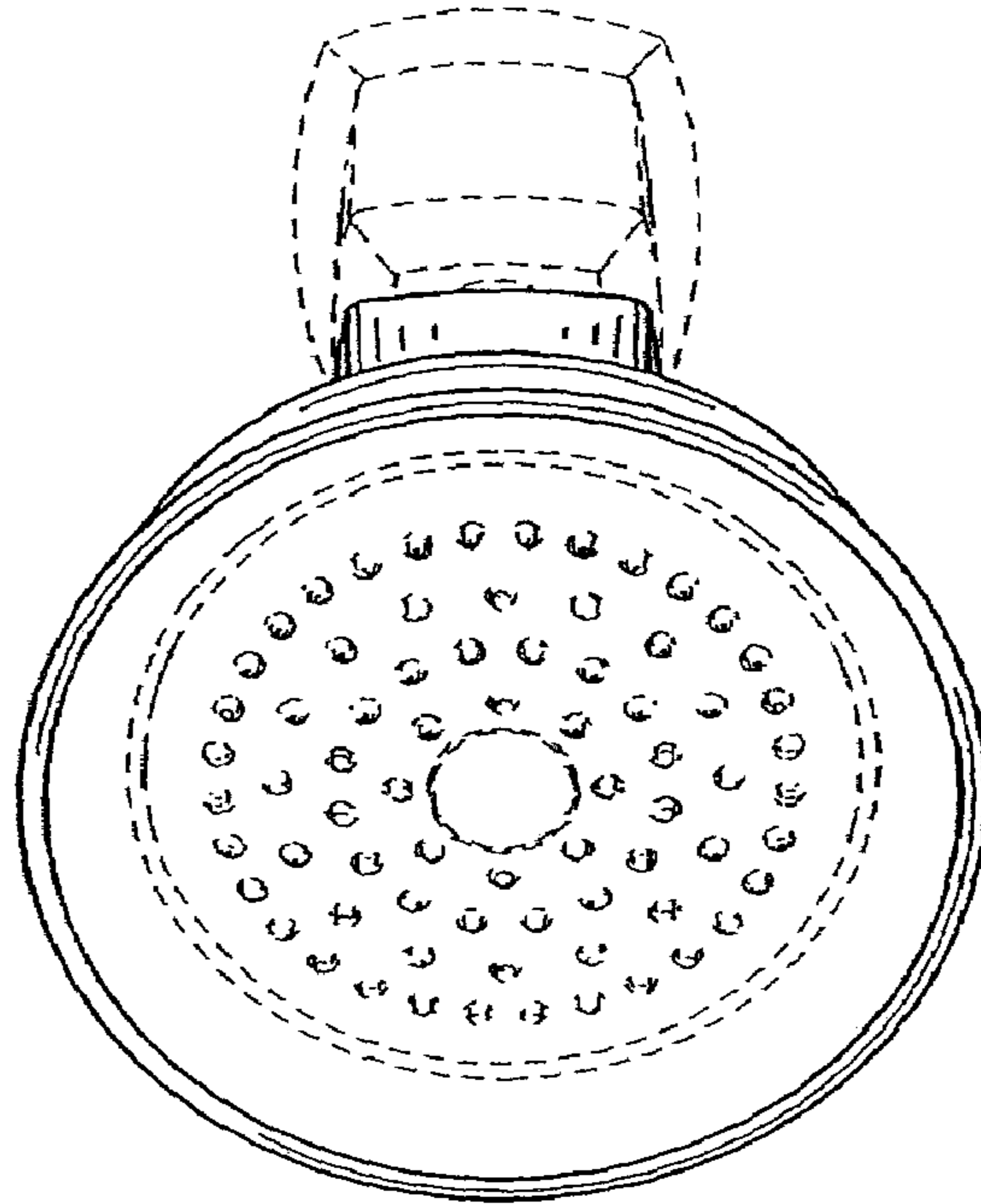


FIG. 5