



US00D564620S

(12) **United States Design Patent**
Burt et al.

(10) **Patent No.:** **US D564,620 S**
(45) **Date of Patent:** **** Mar. 18, 2008**

(54) **CAGELESS LAVATORY DISPENSING DEVICE**

Primary Examiner—Robin V Webster

(75) Inventors: **Diane Burt**, New Windsor, NY (US);
Christopher King, Montvale, NJ (US);
Robert Lu, Montvale, NJ (US); **Nevin Arora**, Denver, CO (US)

(57) **CLAIM**

The ornamental design for a cageless lavatory dispensing device, as shown and described.

(73) Assignee: **Reckitt Benckiser Inc.**, Parsippany, NJ (US)

DESCRIPTION

(**) Term: **14 Years**

FIG. 1 is a perspective view of the top and front of a first embodiment of our device;

(21) Appl. No.: **29/249,849**

FIG. 2 is a plan view of the front of a first embodiment of our device;

(22) Filed: **Oct. 24, 2006**

FIG. 3 is a plan view of a side of a first embodiment of our device; the other side of a first embodiment of our device which is not depicted in the figures is symmetrical with this side view;

(51) **LOC (8) Cl.** **23-01**

(52) **U.S. Cl.** **D23/208**

(58) **Field of Classification Search** D23/207,
D23/208; 4/231, 223, 225.1, 227.1
See application file for complete search history.

FIG. 4 is a plan view of the front of a first embodiment of our device;

FIG. 5 is a plan view of the bottom of a first embodiment of our device;

(56) **References Cited**

U.S. PATENT DOCUMENTS

| | | | | | |
|-----------|------|---------|-----------------|-------|---------|
| 4,203,172 | A * | 5/1980 | Goncalves | | 4/231 |
| D273,607 | S * | 4/1984 | Joyaux et al. | | D23/208 |
| D307,934 | S * | 5/1990 | Verebelyi | | D23/208 |
| D387,848 | S * | 12/1997 | Thompson et al. | | D23/208 |
| 6,505,356 | B1 * | 1/2003 | Leonard et al. | | 4/231 |
| 6,934,973 | B2 * | 8/2005 | Lehmann et al. | | 4/231 |

FIG. 6 is a plan view of the top of a first embodiment of our device.

FIG. 7 is a perspective view of the top and front of a second embodiment of our device;

FIG. 8 is a plan view of a side of a second embodiment of our device; the other side of a second embodiment of our device which is not depicted in the figures is symmetrical with this side view;

FIG. 9 is a plan view of the bottom of a second embodiment of our device; and,

FIG. 10 is a plan view of the rear of a second embodiment of our device.

The broken line showing is included for the purpose of illustrating and forms no part of the claimed design.

* cited by examiner

1 Claim, 4 Drawing Sheets

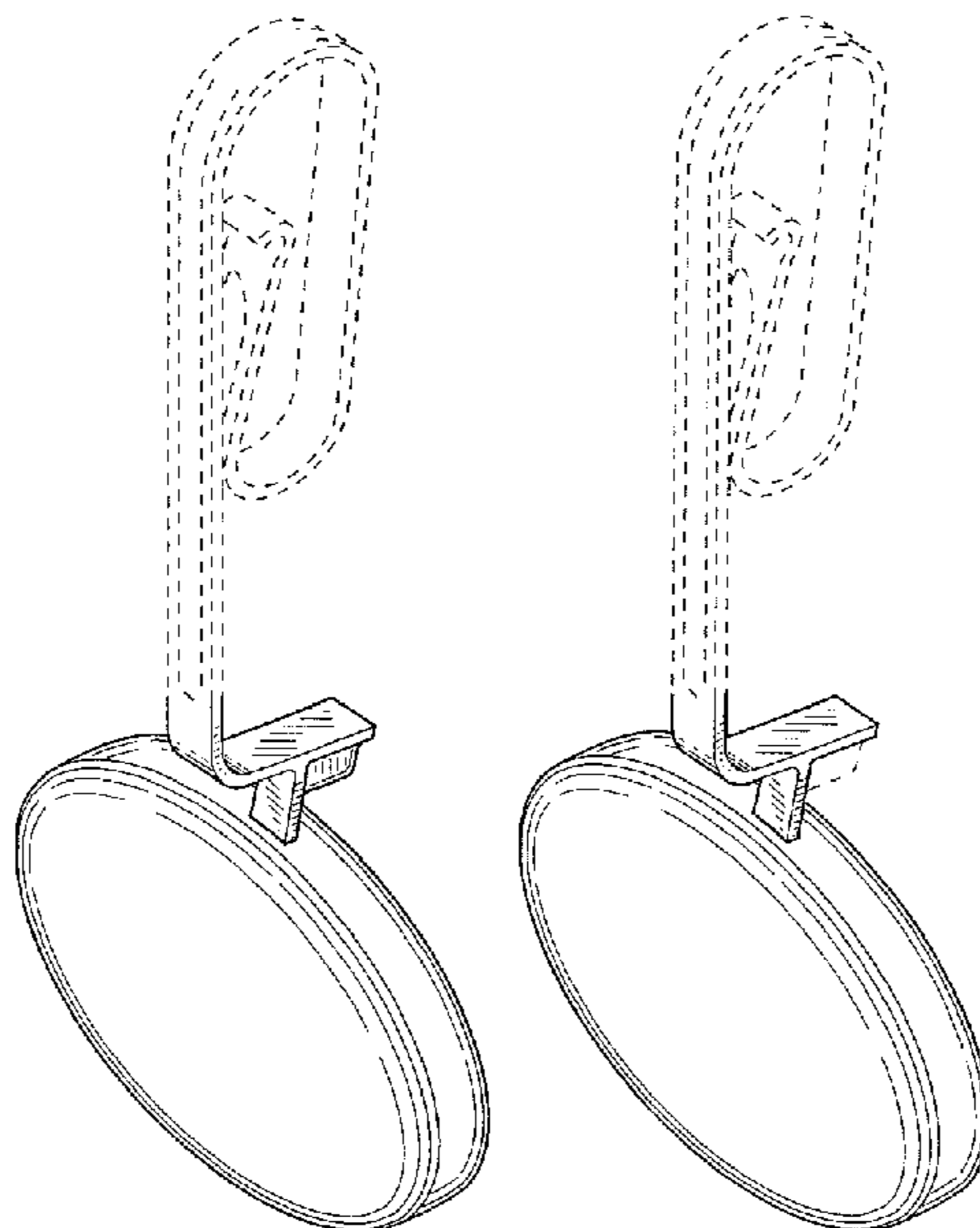


FIG. 2

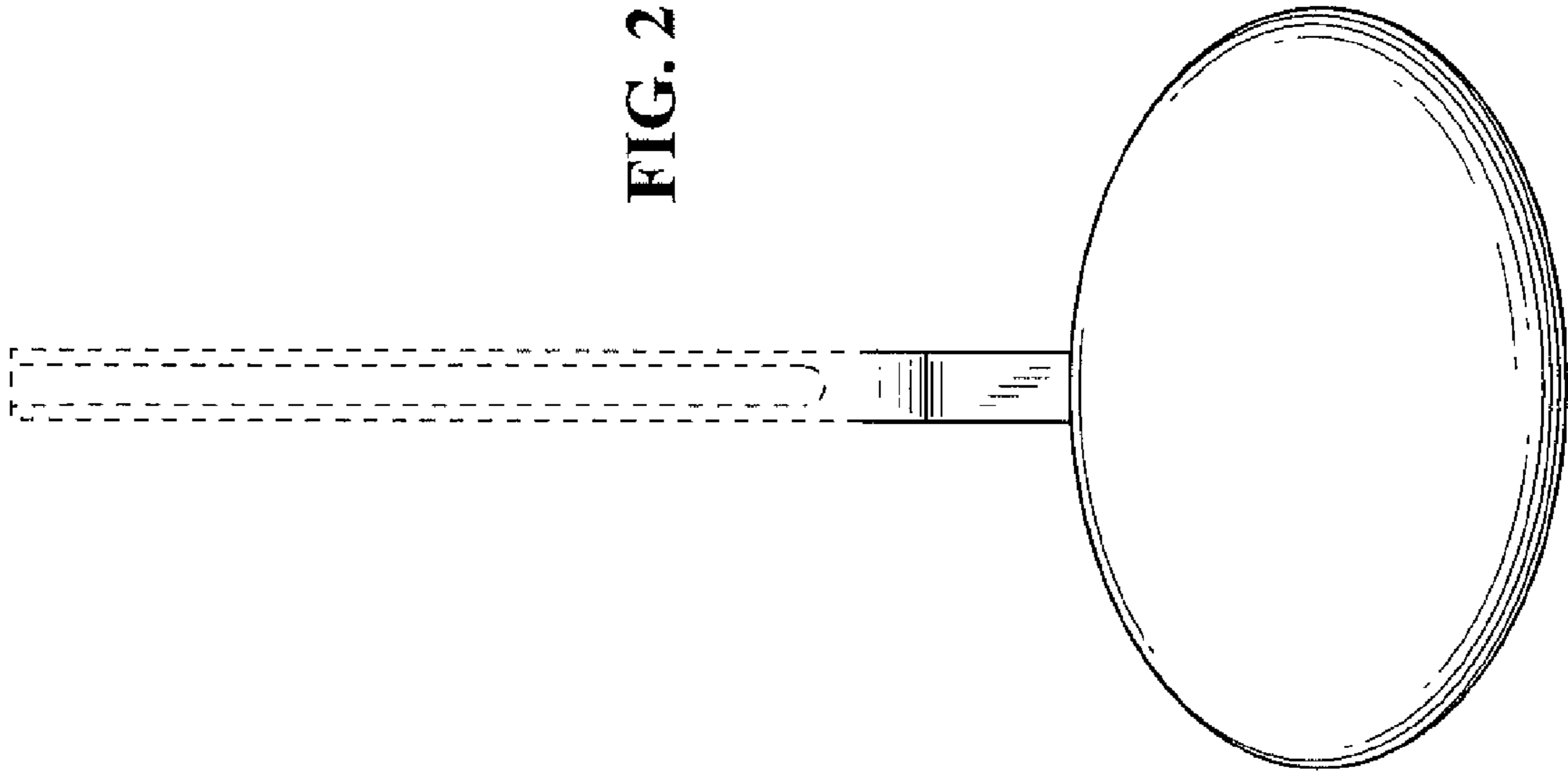
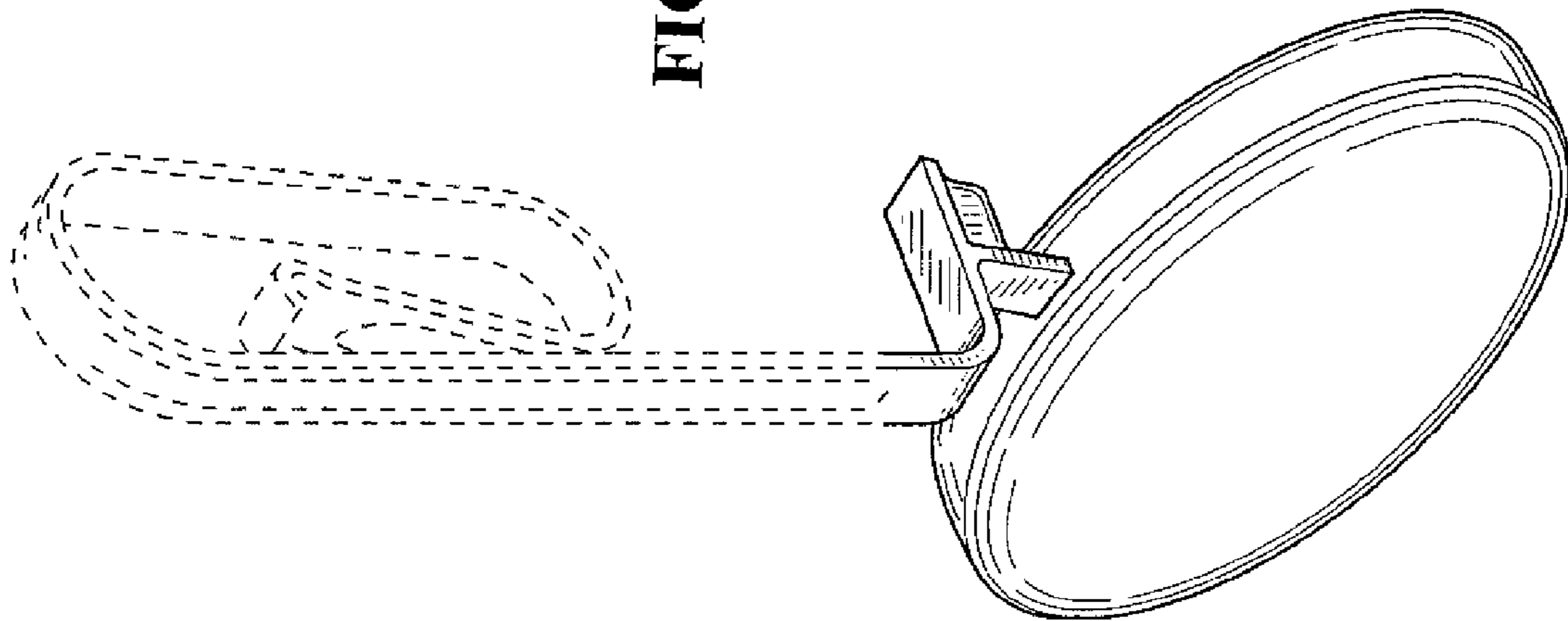


FIG. 1



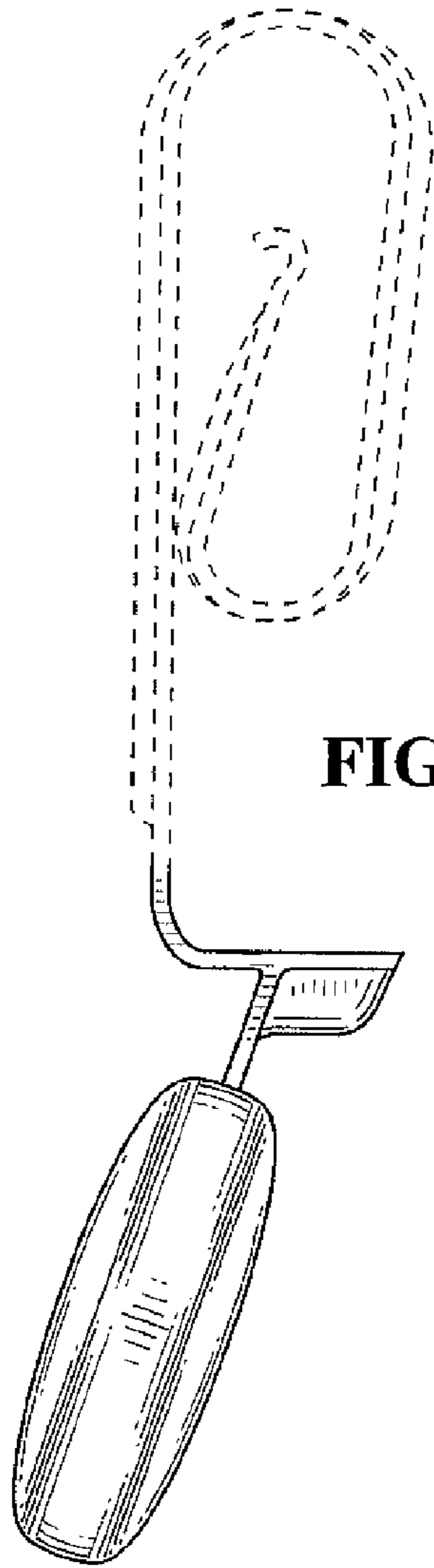


FIG. 3

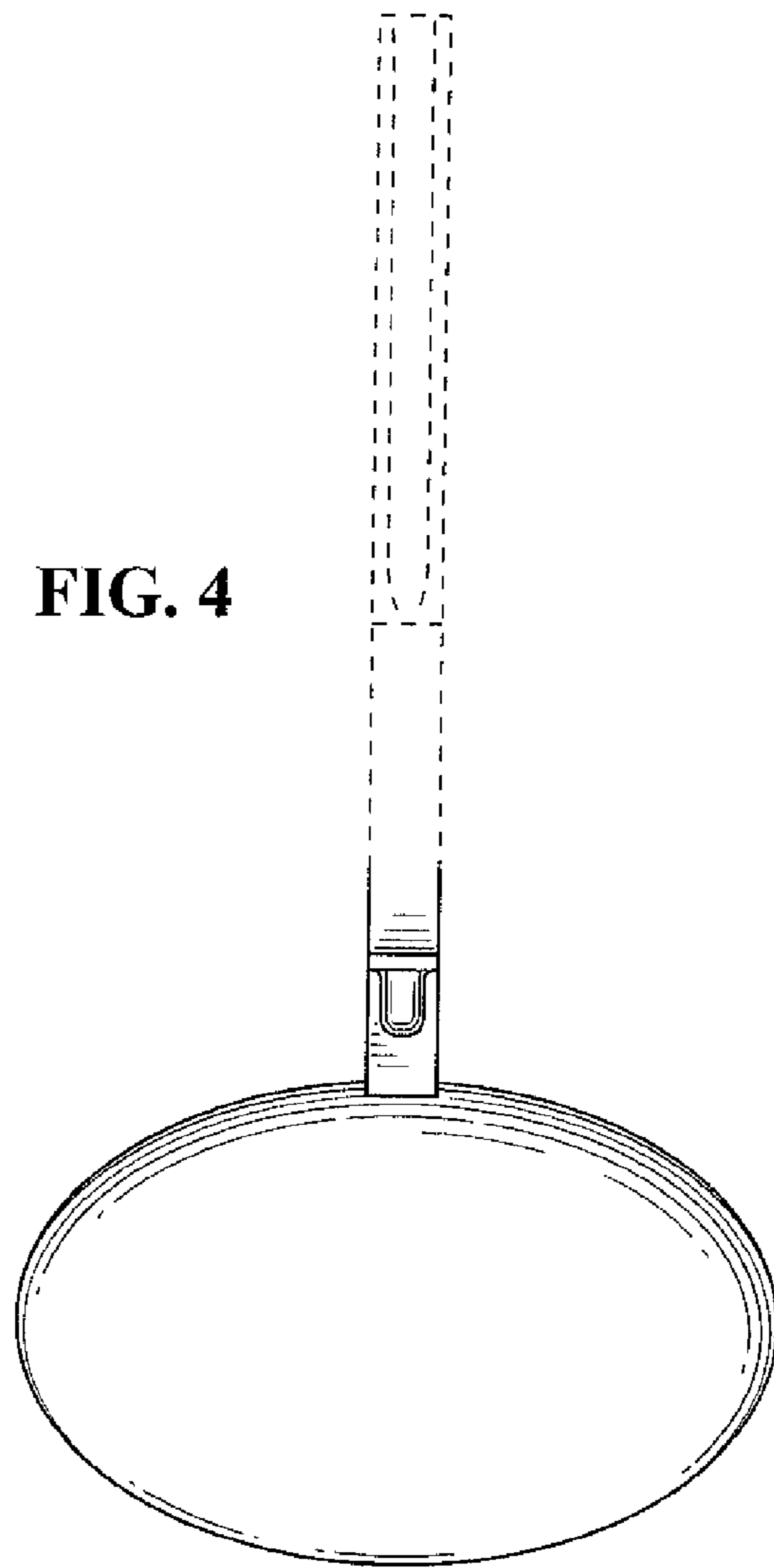


FIG. 4

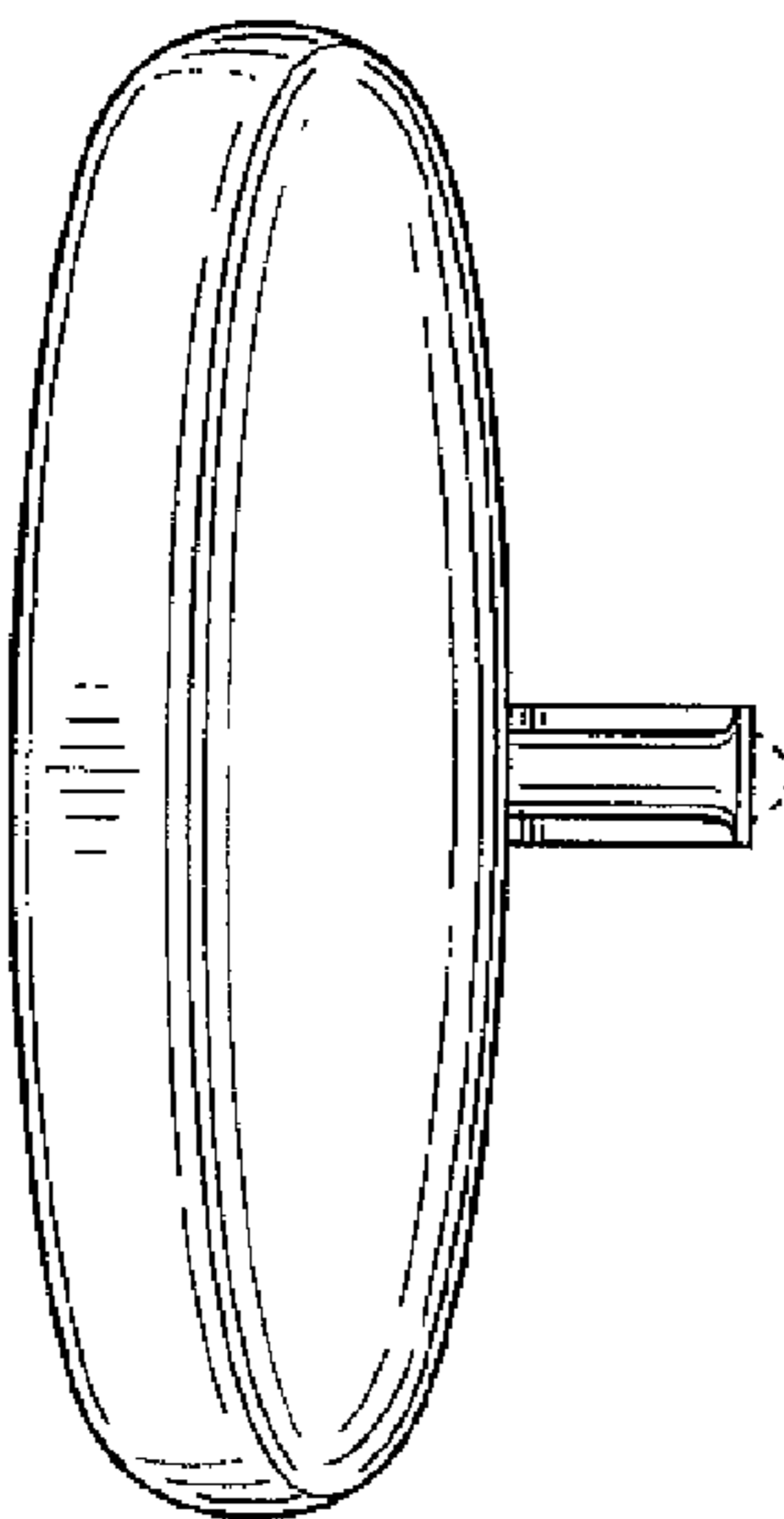


FIG. 5

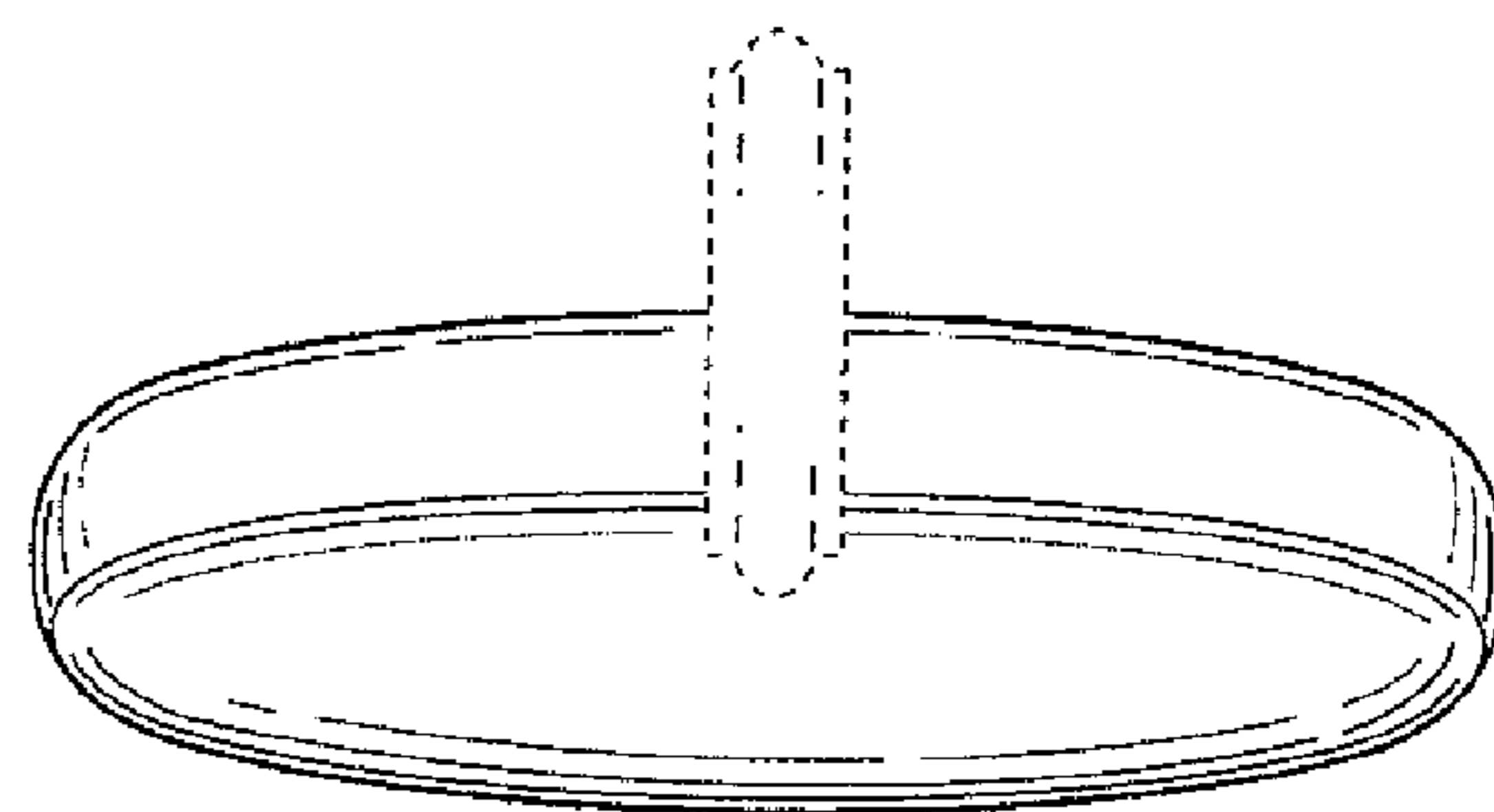


FIG. 6

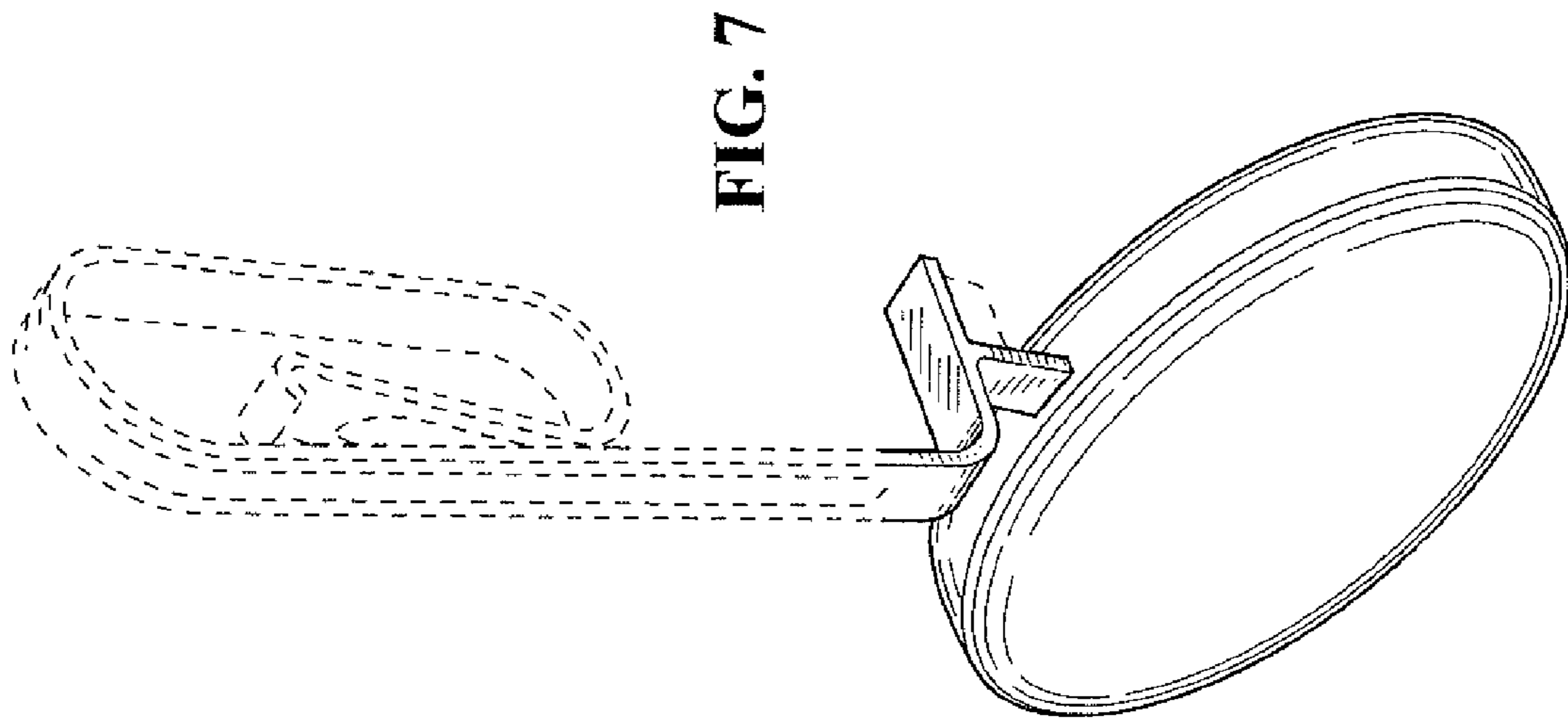
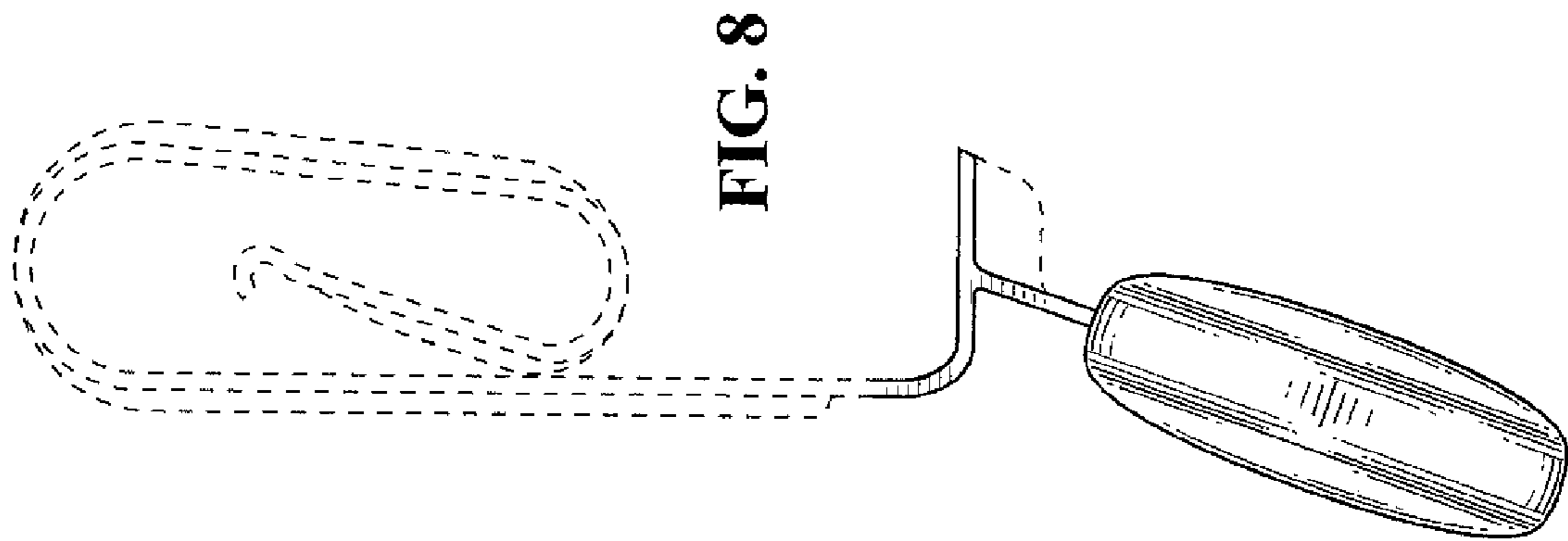


FIG. 10

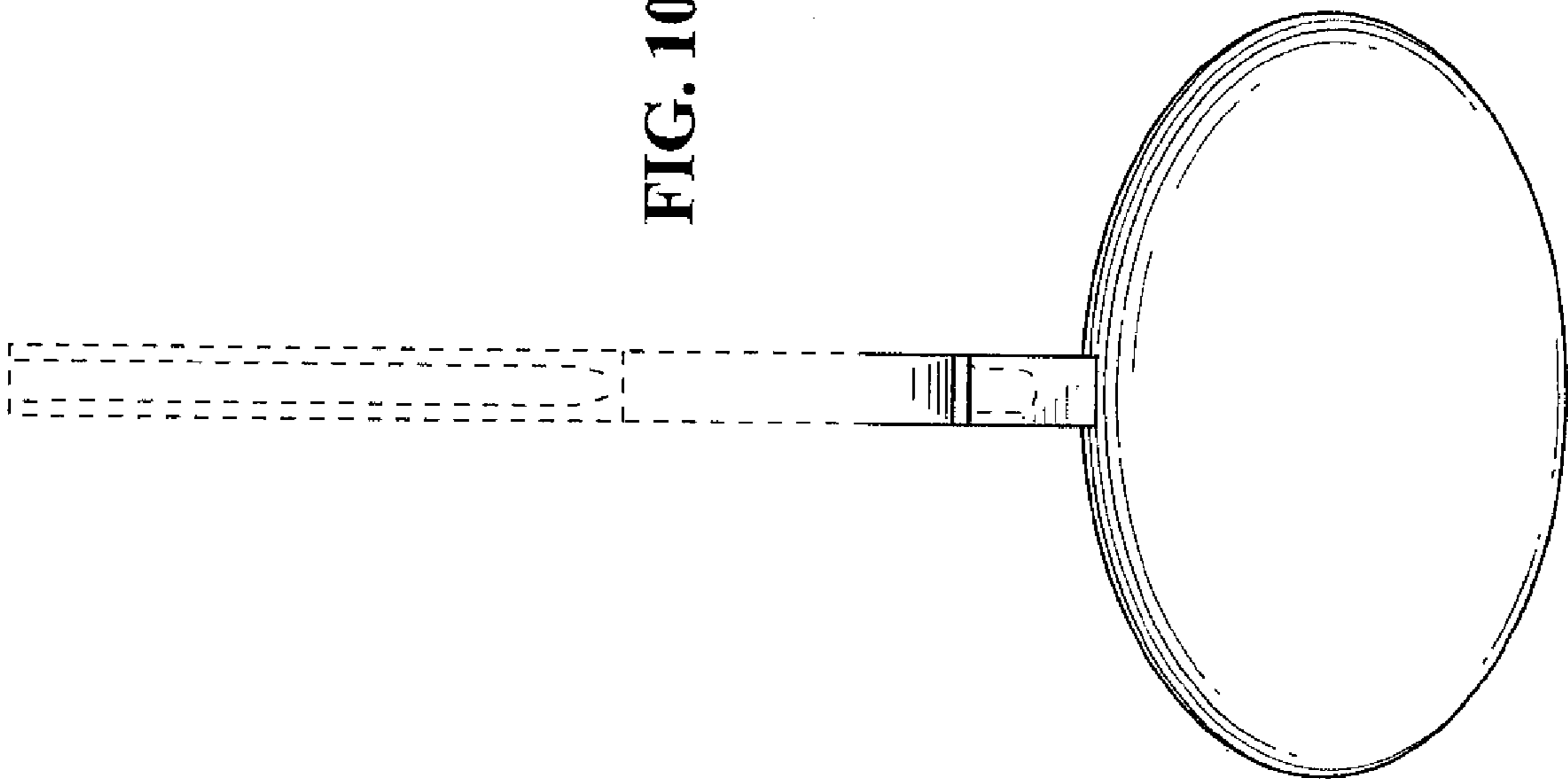


FIG. 9

