



US00D564617S

(12) **United States Design Patent**
White

(10) **Patent No.:** **US D564,617 S**

(45) **Date of Patent:** **** Mar. 18, 2008**

(54) **FISHING ROD HOLDER**

(57) **CLAIM**

(76) **Inventor:** **Charles W. White**, 36926 Horsey Church Rd., Delmar, DE (US) 19940

The ornamental design for a fishing rod holder, as shown and described.

(**) **Term:** **14 Years**

(21) **Appl. No.:** **29/269,278**

DESCRIPTION

(22) **Filed:** **Nov. 28, 2006**

(51) **LOC (8) Cl.** **22-05**

(52) **U.S. Cl.** **D22/147**

(58) **Field of Classification Search** D22/147-148;
43/21.2, 54.1; 248/512-520, 538; D6/552-553;
211/70.8

See application file for complete search history.

FIG. 1 is a perspective view of a fishing rod holder according to a first exemplary embodiment of the present invention illustrating the new and ornamental design;

FIG. 2 is a rear elevational view of the fishing rod holder illustrated in FIG. 1;

FIG. 3 is a front elevational view of the fishing rod holder illustrated in FIGS. 1-2;

FIG. 4 is a right side elevational view of the fishing rod holder illustrated in FIGS. 1-3, the left side being a mirror image thereof;

FIG. 5 is a left side elevational view of the fishing rod holder illustrated in FIGS. 1-4;

FIG. 6 is a top plan view of the fishing rod holder illustrated in FIGS. 1-5;

FIG. 7 is a bottom view of the fishing rod holder illustrated in FIGS. 1-6;

FIG. 8 is a perspective view of the fishing rod holder illustrated in FIGS. 1-7 in which the tubular members for receiving fishing rods have been pivoted to new positions; and,

FIG. 9 is a perspective view of a fishing rod holder according to another exemplary embodiment of the present invention, with a lengthened base portion and an additional tubular member for receiving a fishing rod.

(56) **References Cited**

U.S. PATENT DOCUMENTS

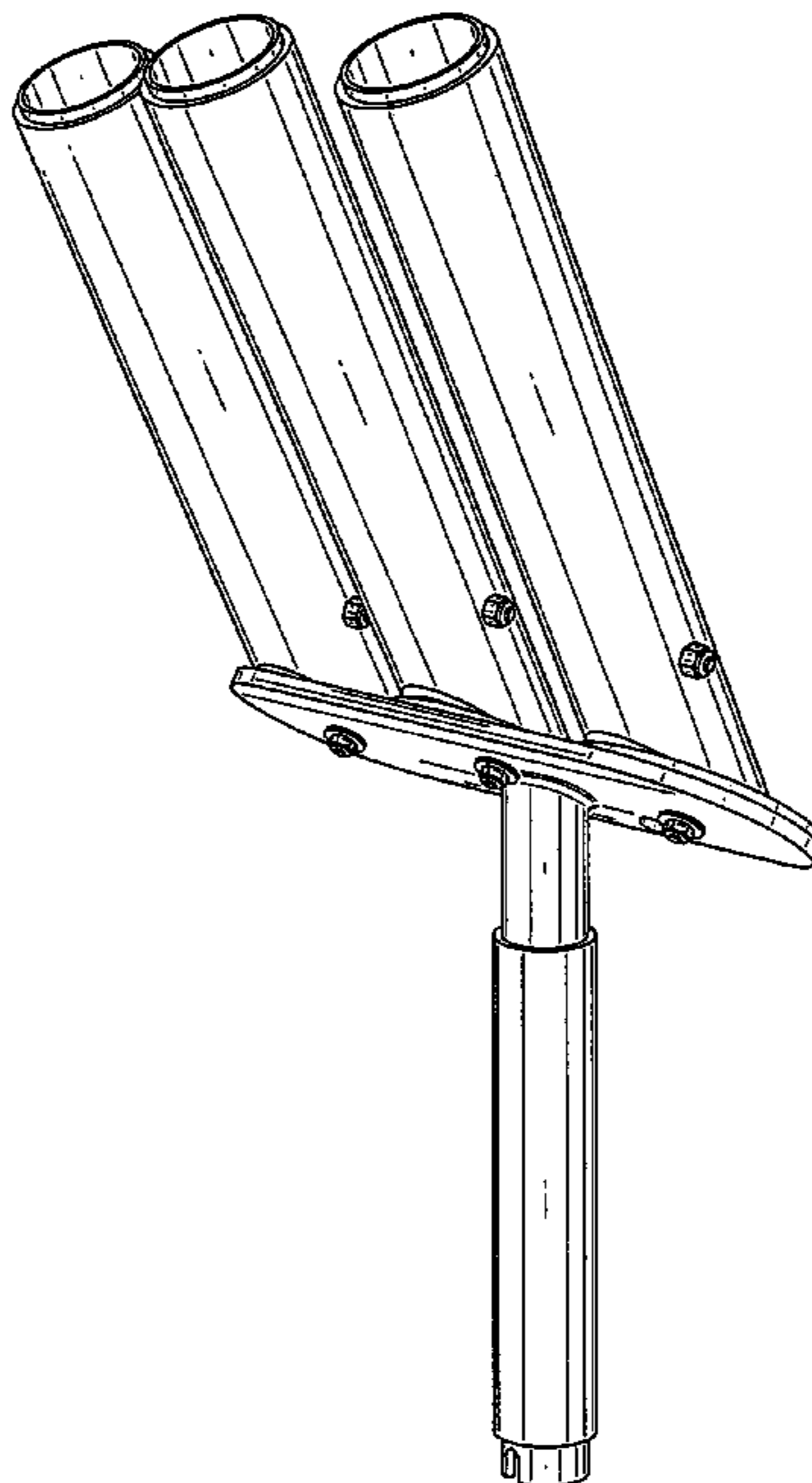
1,719,695	A	7/1929	Ferguson	248/515
4,485,579	A	12/1984	Hawie		
5,247,759	A	9/1993	Noriega	43/21.2
5,557,877	A	9/1996	Colson	43/21.2
D393,690	S *	4/1998	Lovelady et al.	D22/147
D413,648	S *	9/1999	Simpson et al.	D22/147
D414,239	S	9/1999	Lovelady	D22/147
5,987,803	A	11/1999	White	43/21.2
D478,649	S *	8/2003	Stuedeman et al.	D22/147
D507,817	S *	7/2005	Mitchell	D22/147
2003/0230024	A1	12/2003	Roberson	43/21.2
2005/0102881	A1	5/2005	Legendziewicz	43/21.2
2005/0178041	A1	8/2005	Zaffiro	43/21.2

* cited by examiner

Primary Examiner—Catherine R. Oliver

(74) *Attorney, Agent, or Firm*—Roynance, Abrams, Berdo & Goodman, L.L.P.

1 Claim, 9 Drawing Sheets



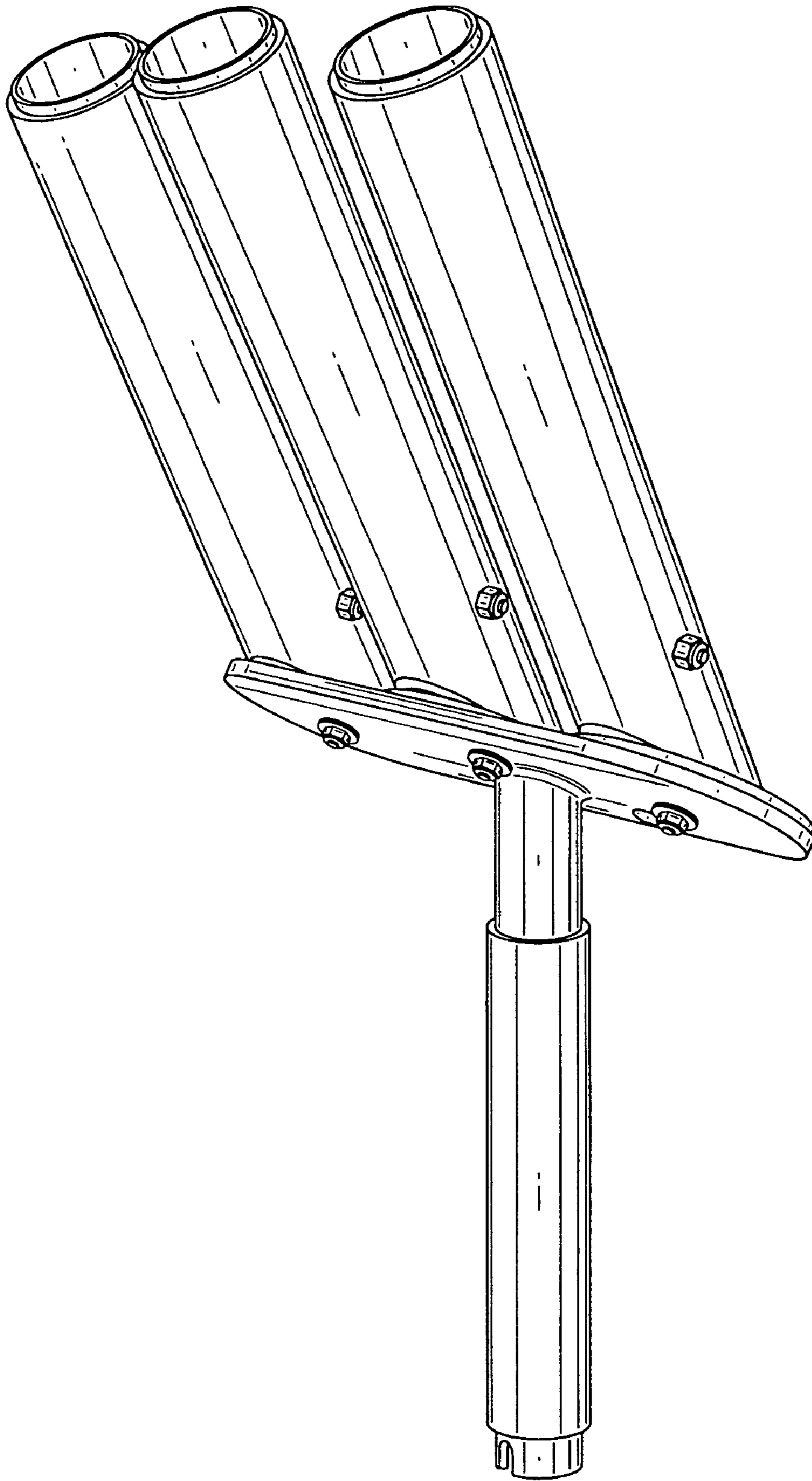


FIG. 1

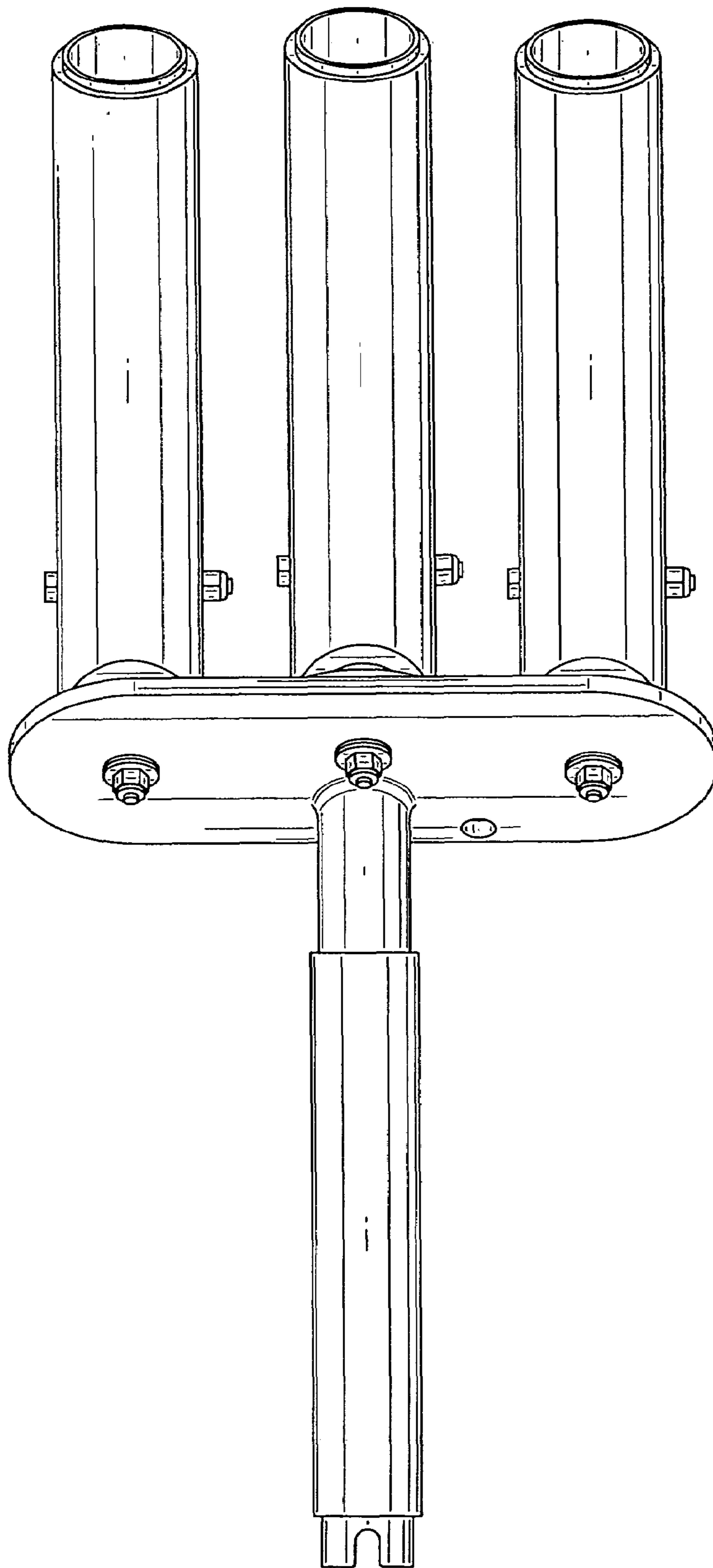


FIG. 2

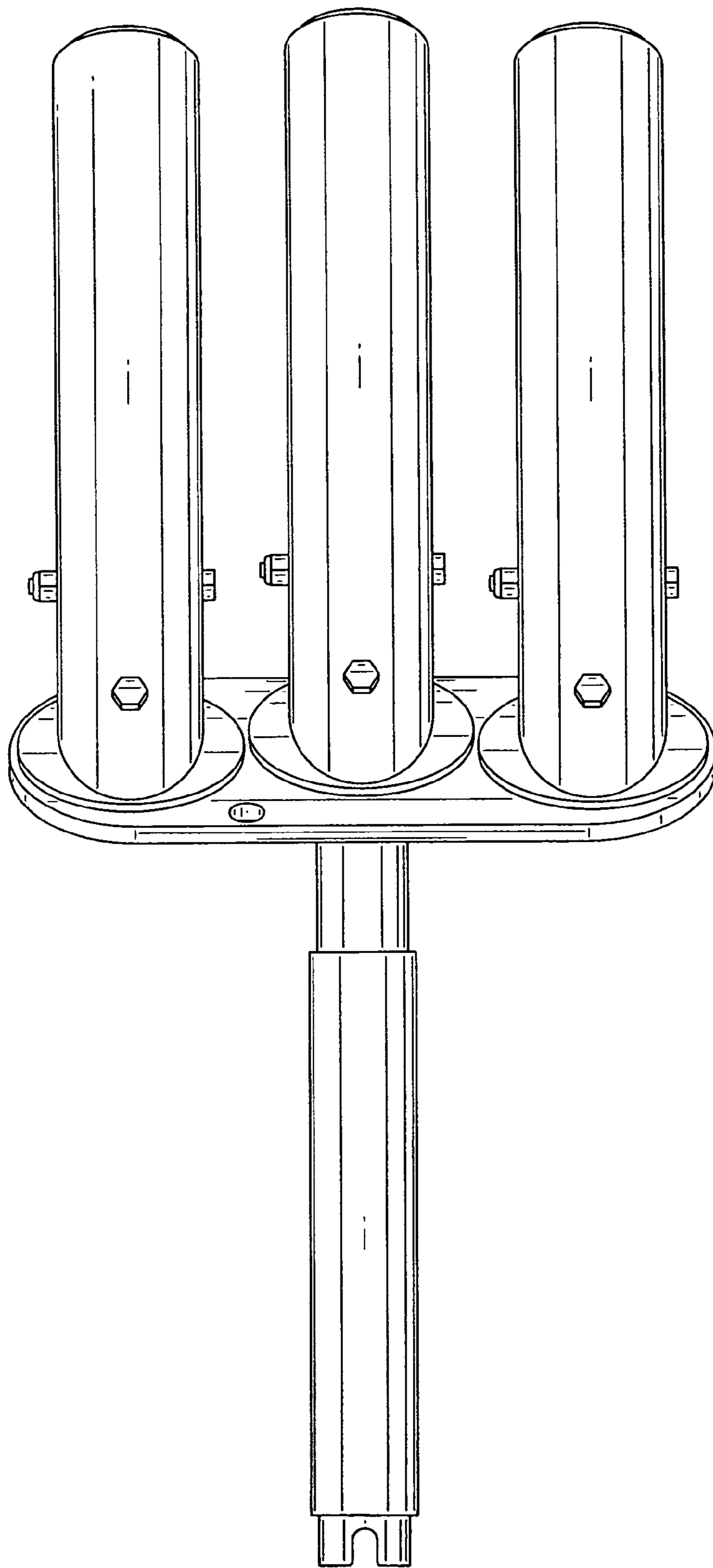


FIG. 3

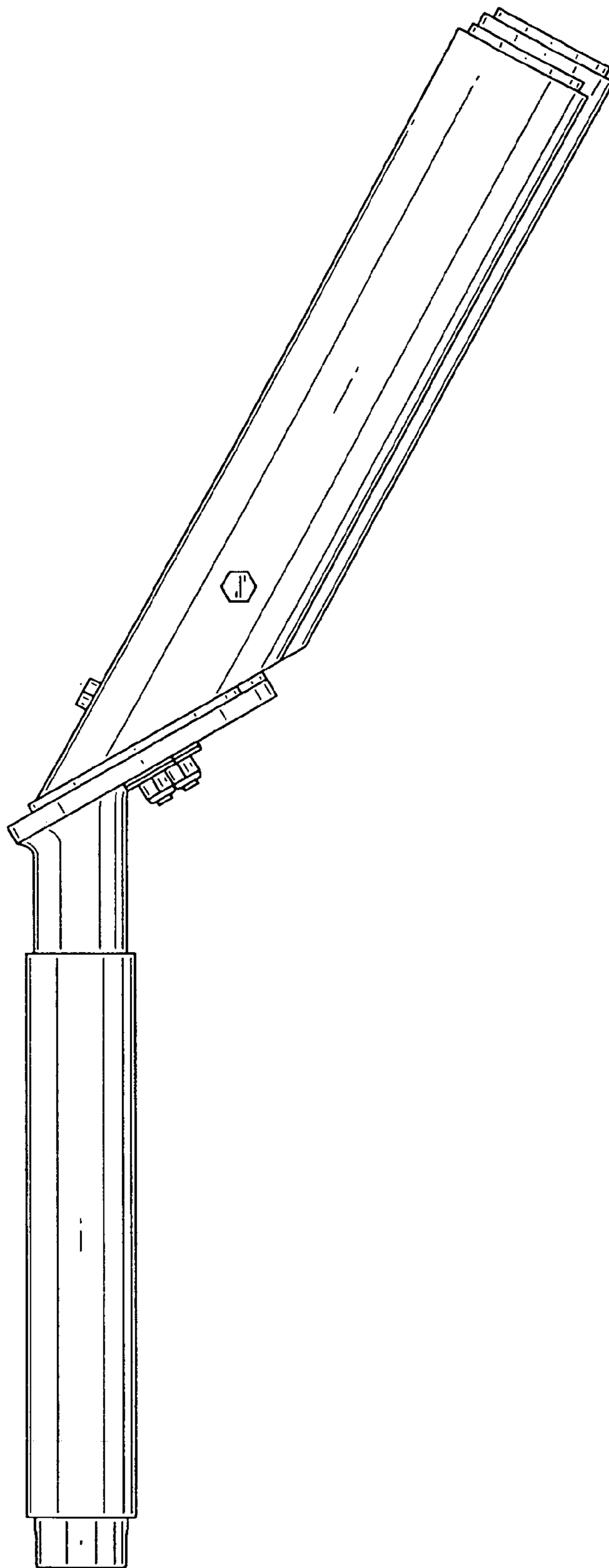


FIG. 4

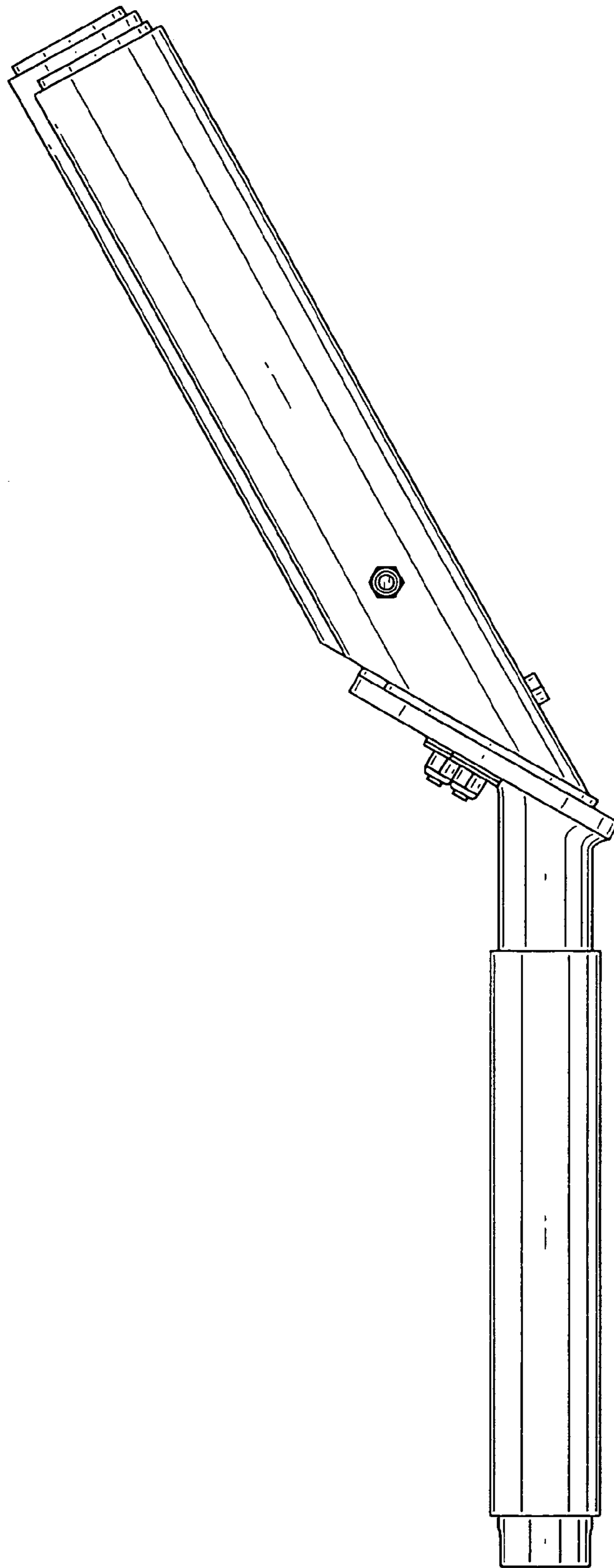


FIG. 5

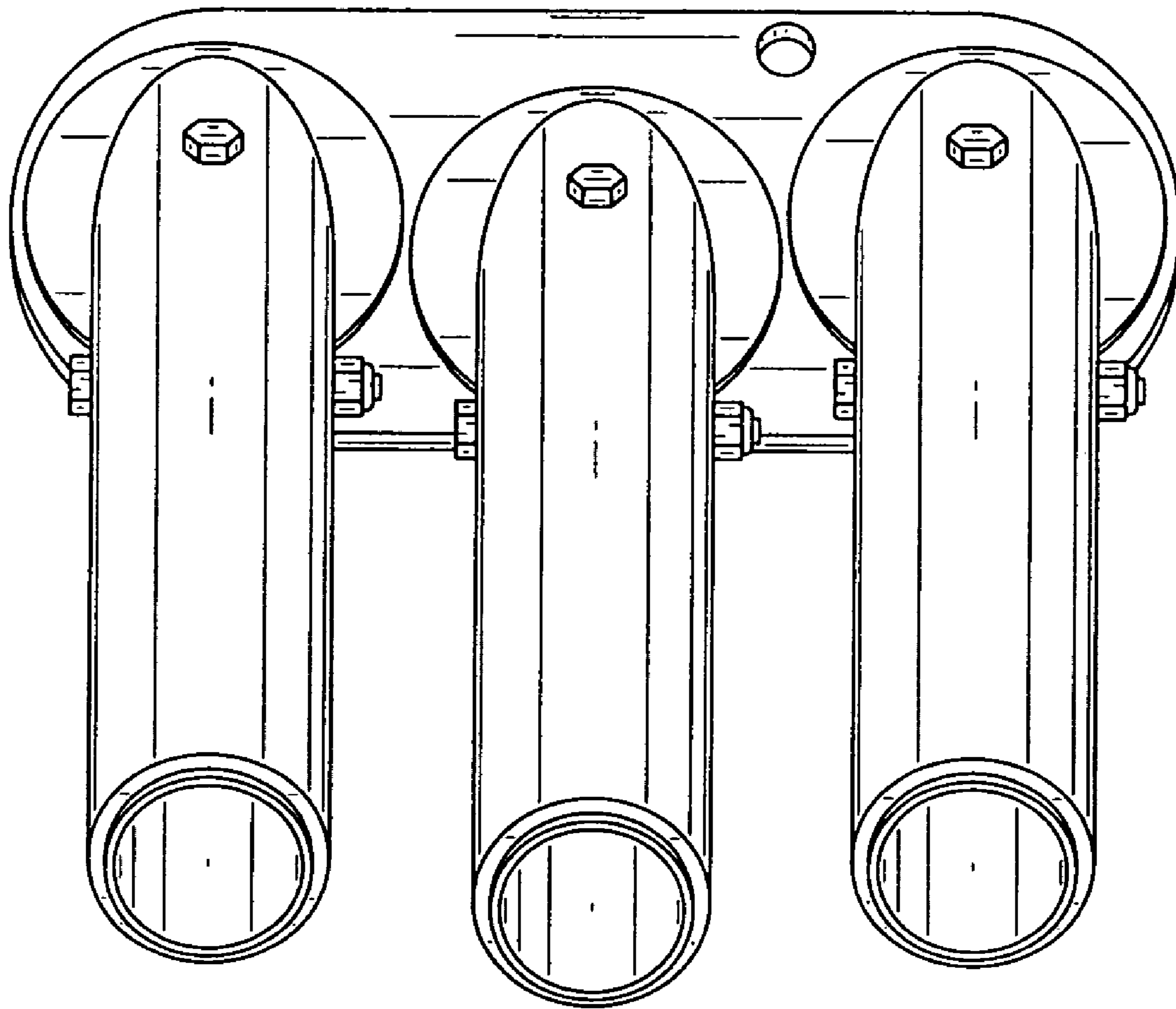


FIG. 6

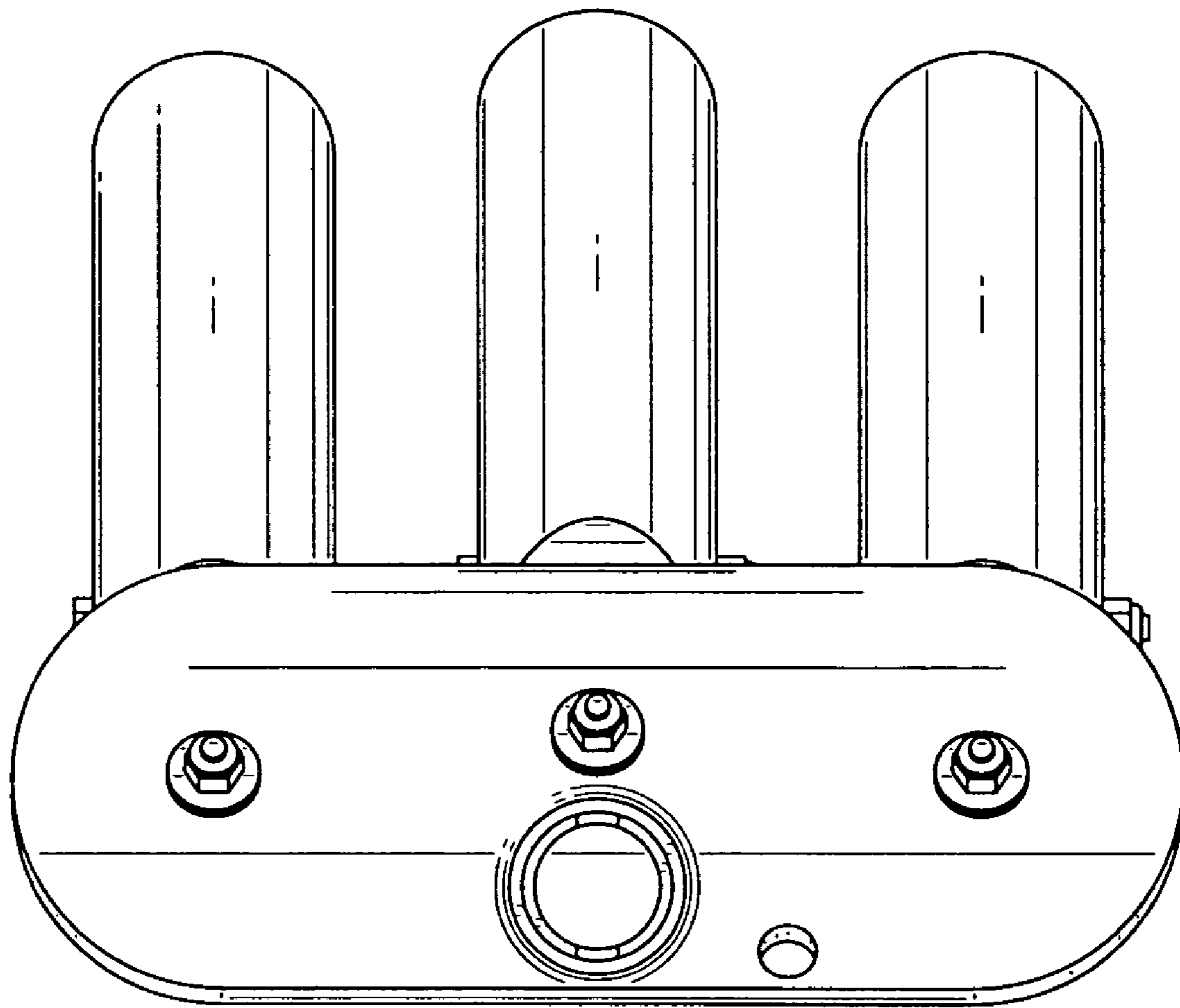


FIG. 7

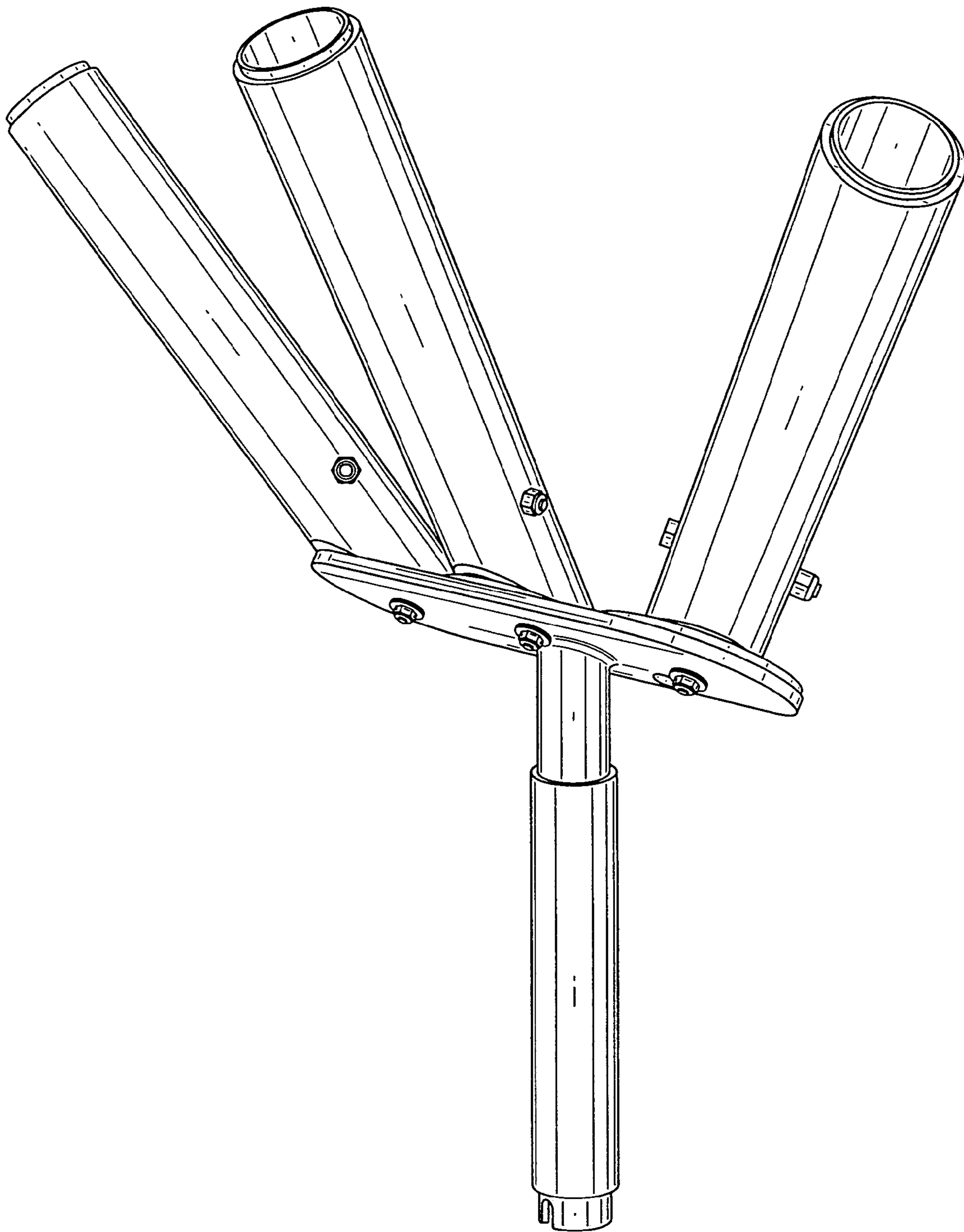


FIG. 8

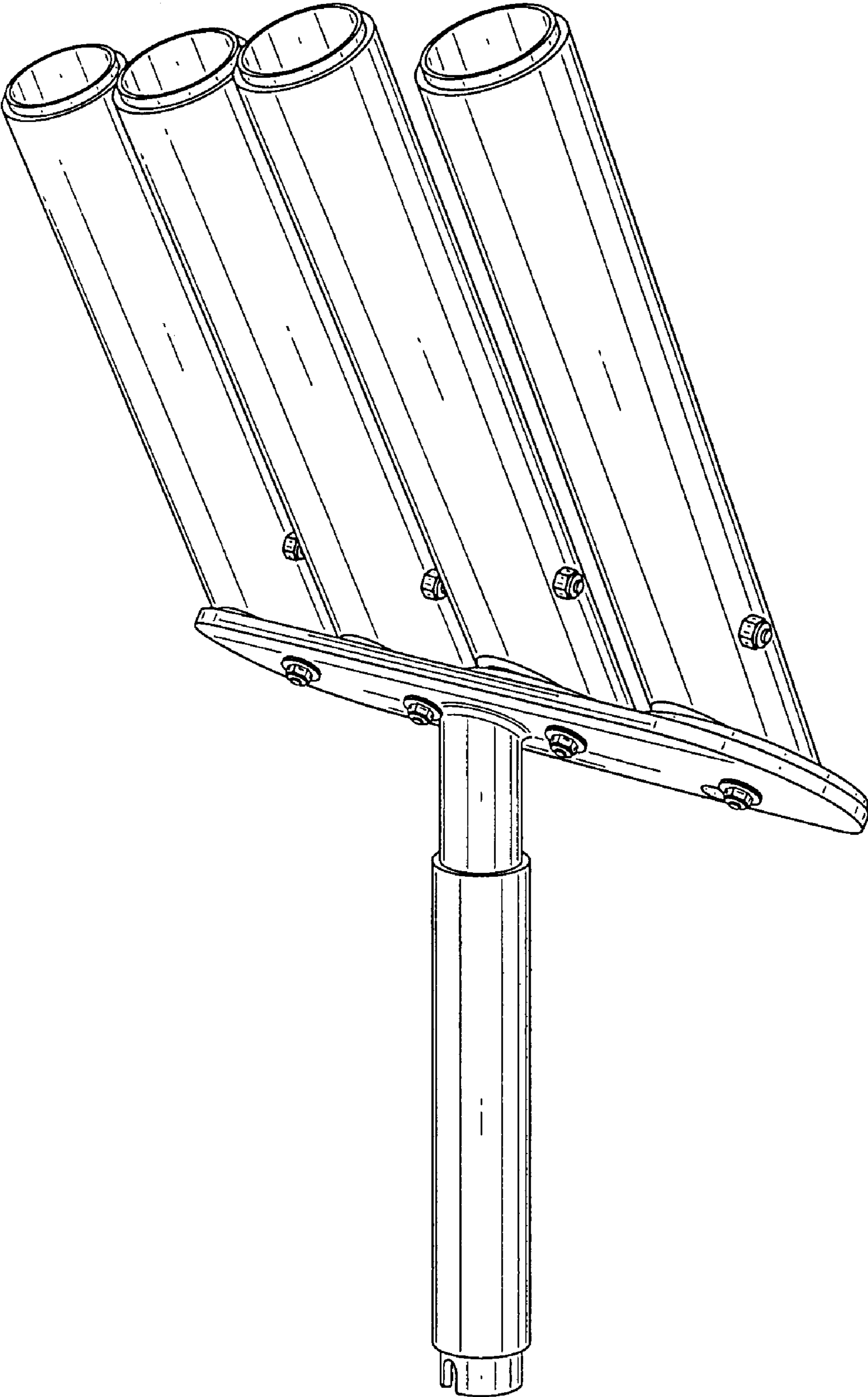


FIG. 9