



US00D564613S

(12) **United States Design Patent**  
**Hamborg**

(10) **Patent No.:** **US D564,613 S**

(45) **Date of Patent:** **\*\* Mar. 18, 2008**

(54) **SKATEBOARD**

(76) **Inventor:** **Peter Hamborg**, 9582 Hamilton Ave.,  
#103, Huntington Beach, CA (US)  
92646

(\*\*) **Term:** **14 Years**

(21) **Appl. No.:** **29/285,860**

(22) **Filed:** **Apr. 13, 2007**

(51) **LOC (8) Cl.** ..... **21-02**

(52) **U.S. Cl.** ..... **D21/765**

(58) **Field of Classification Search** ..... D21/760,  
D21/765, 771, 423; 280/87.01, 87.021, 87.03,  
280/87.041, 87.042, 11.115, 11.27, 11.28;  
180/180; 441/74

See application file for complete search history.

(56) **References Cited**

**U.S. PATENT DOCUMENTS**

3,992,025 A \* 11/1976 Amelio ..... 280/87.042  
D422,662 S \* 4/2000 Edwards et al. .... D21/765

D504,930 S \* 5/2005 Joung et al. .... D21/765  
2003/0124923 A1 \* 7/2003 Mercer ..... 441/74

\* cited by examiner

*Primary Examiner*—Holly H. Baynham

*Assistant Examiner*—Cynthia M. Chin

(74) *Attorney, Agent, or Firm*—Walter A. Hackler

(57) **CLAIM**

The ornamental design for a skateboard, as shown and described.

**DESCRIPTION**

FIG. 1 is a top view of the present invention;

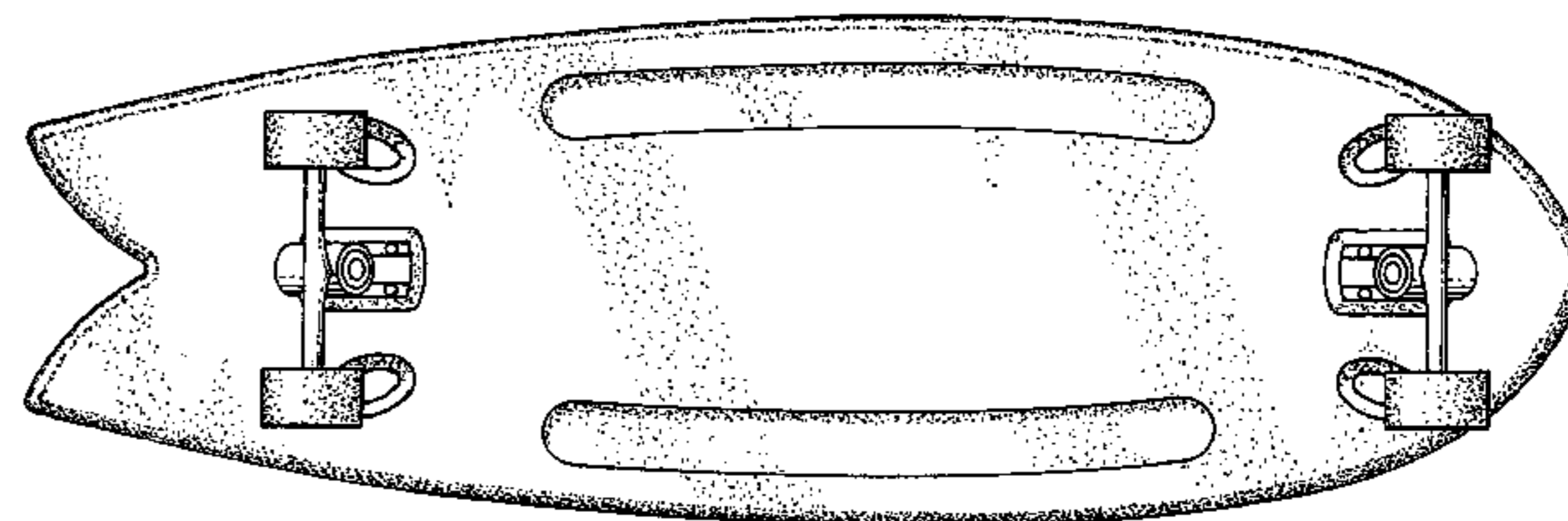
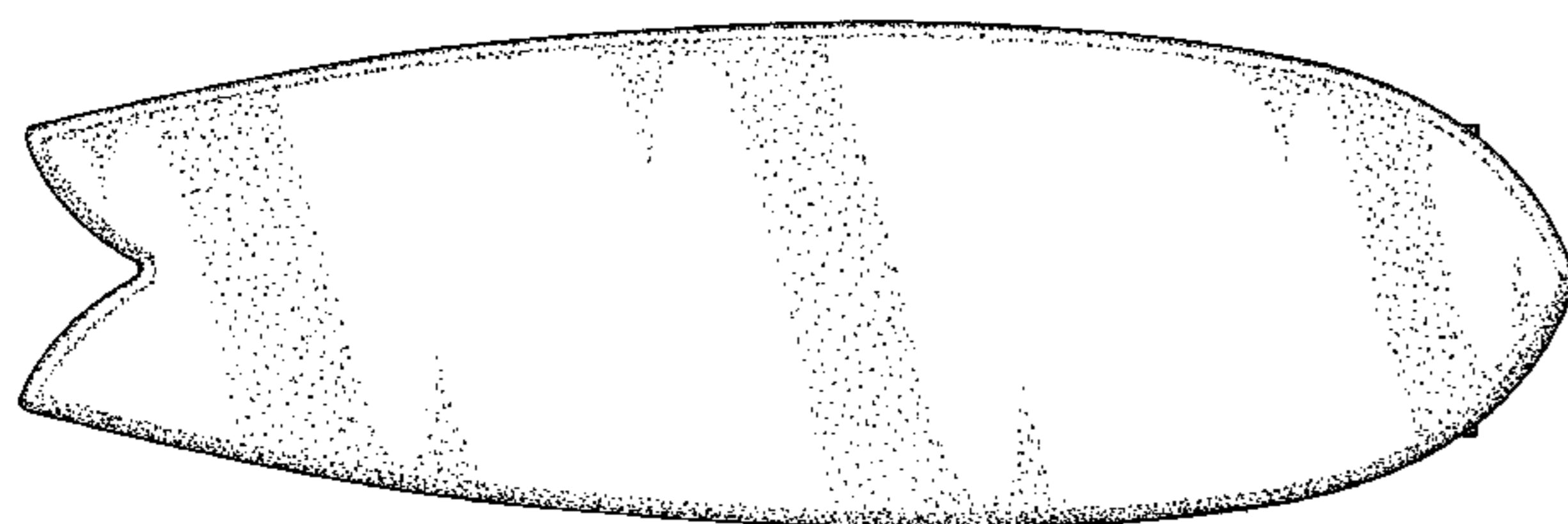
FIG. 2 is a side view of the present invention, the opposite side being identical;

FIG. 3 is a bottom view of the present invention;

FIG. 4 is a front view of the present invention; and,

FIG. 5 is a back view of the present invention.

**1 Claim, 2 Drawing Sheets**



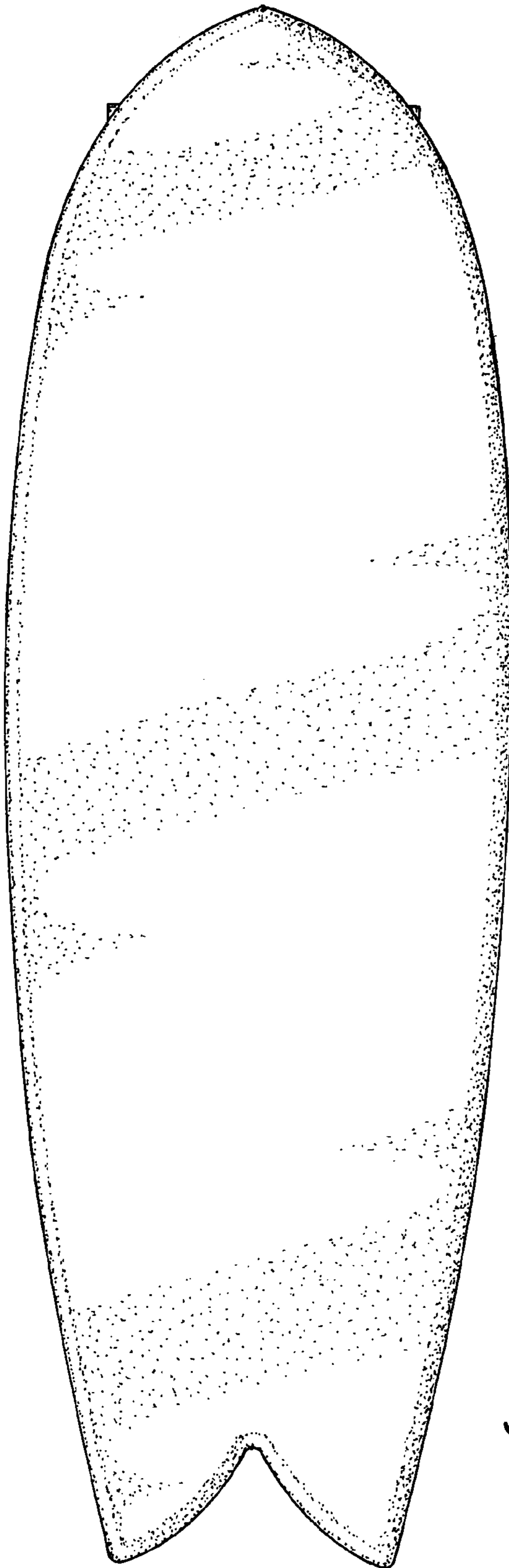


FIG. 1.

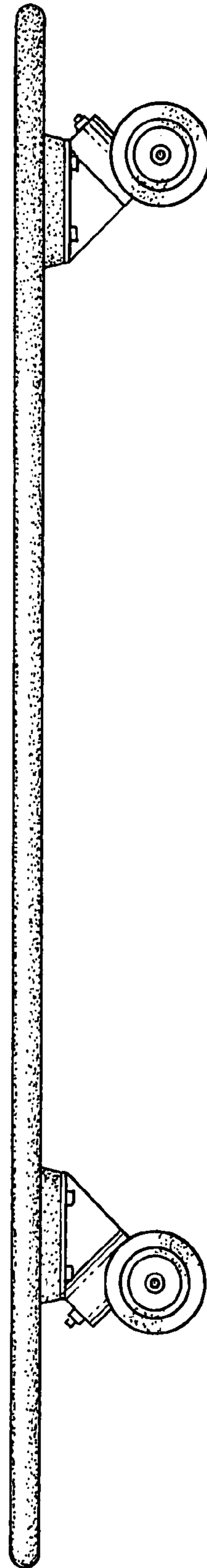


FIG. 2.

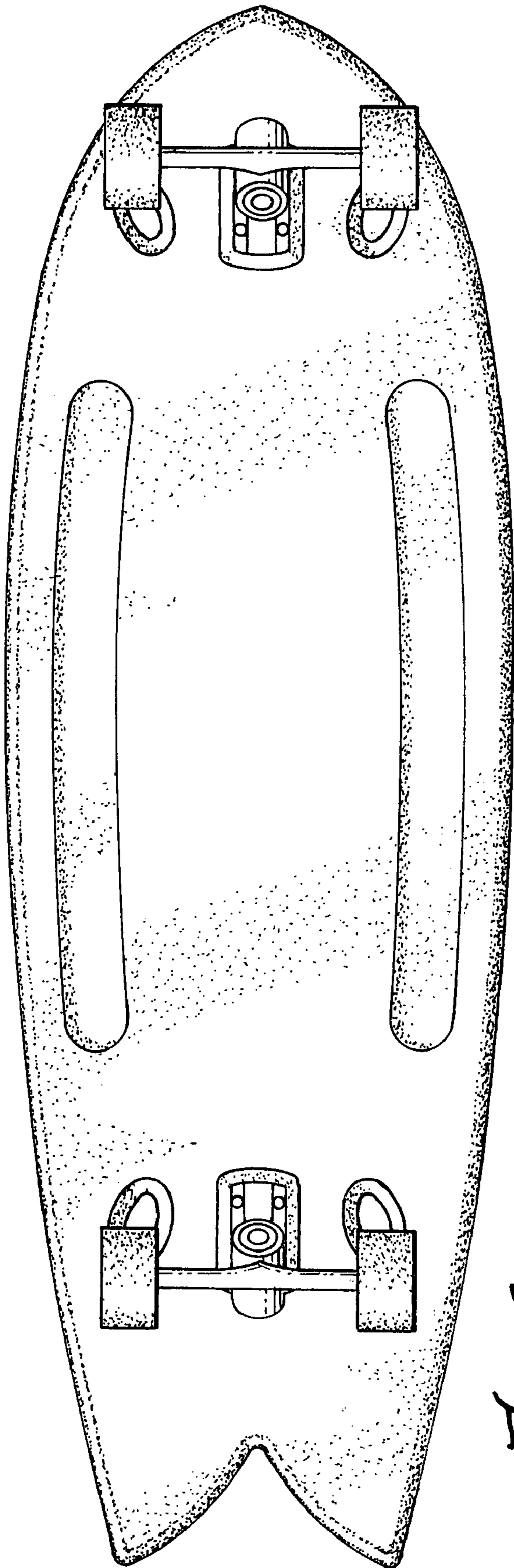


FIG. 3.

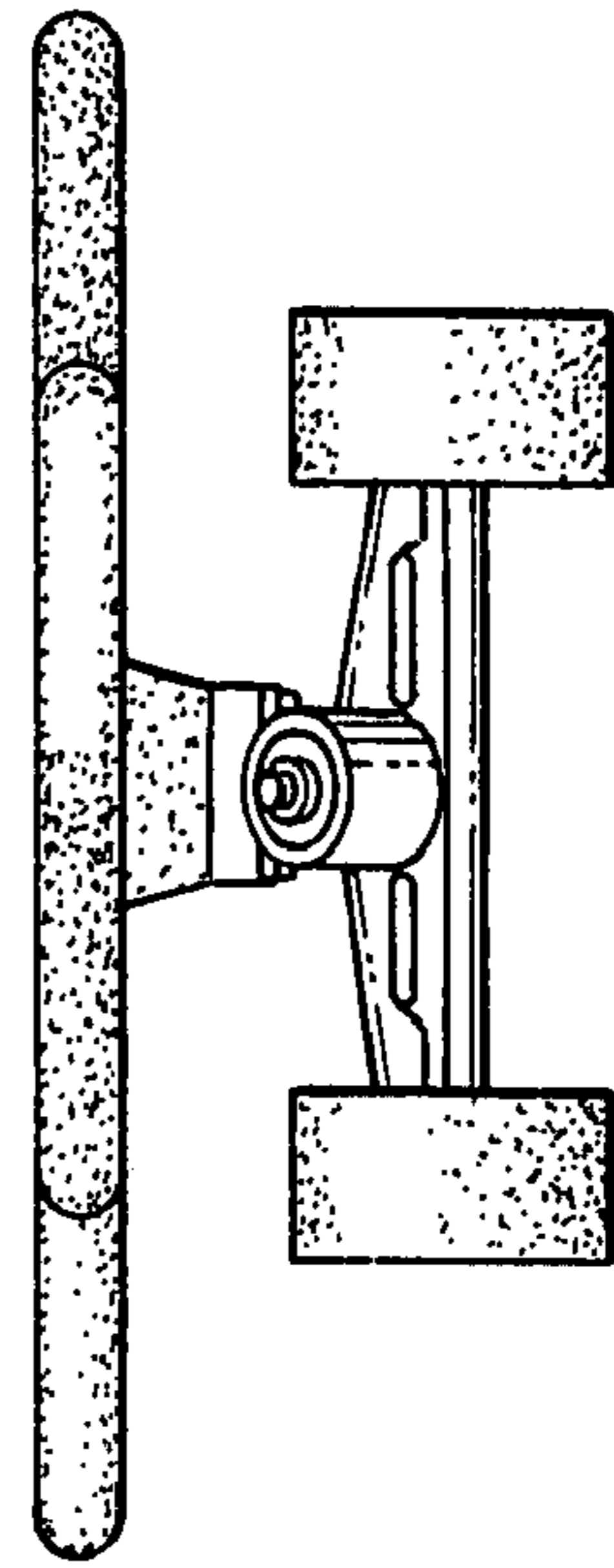


FIG. 5.

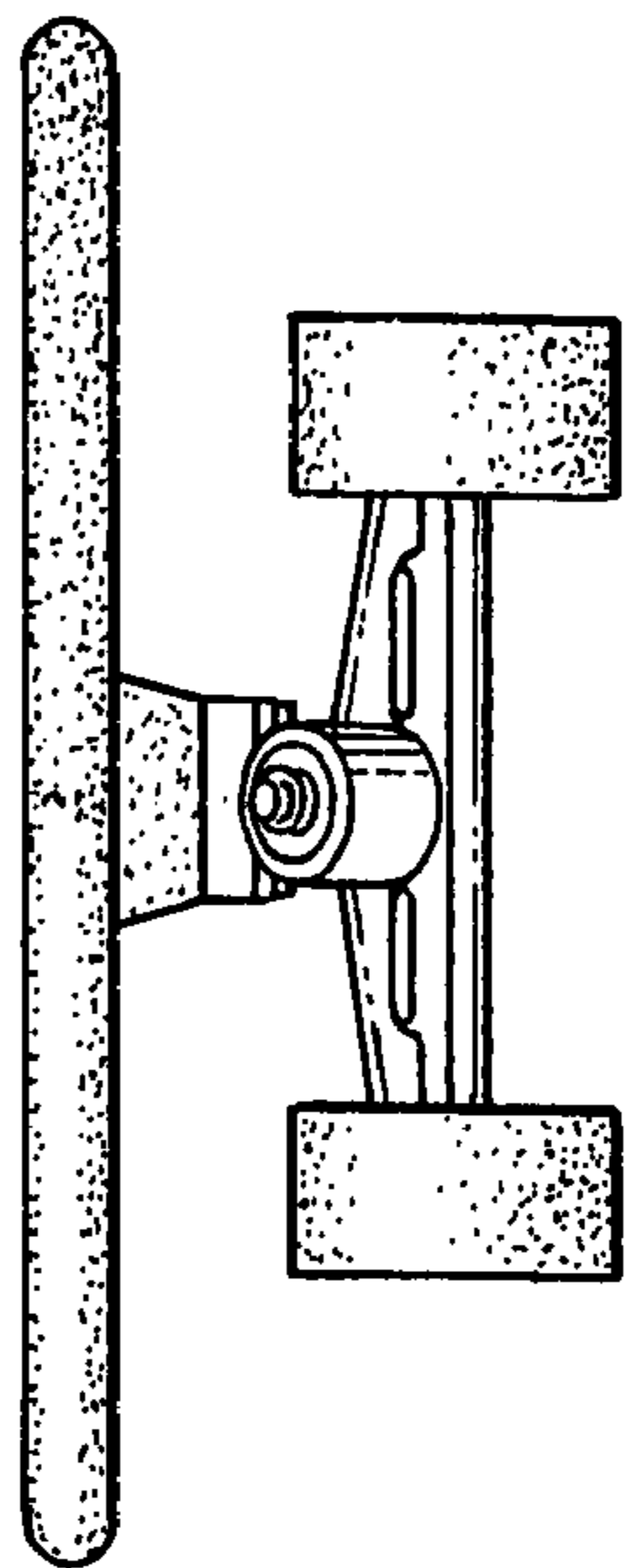


FIG. 4.