



US00D564609S

(12) **United States Design Patent** (10) **Patent No.:** **US D564,609 S**
Oldknow et al. (45) **Date of Patent:** **** Mar. 18, 2008**

(54) **GOLF CLUB HEAD FOR A PUTTER**

(75) Inventors: **Andrew G. V. Oldknow**, Beaverton, OR (US); **David N. Franklin**, Granbury, TX (US); **John T. Stites**, Weatherford, TX (US)

(73) Assignee: **Nike, Inc.**, Beaverton, OR (US)

(**) Term: **14 Years**

(21) Appl. No.: **29/297,316**

(22) Filed: **Nov. 8, 2007**

(51) **LOC (8) Cl.** **21-02**

(52) **U.S. Cl.** **D21/736**

(58) **Field of Classification Search** D21/736-746, D21/759; 473/324-331, 340-341, 251-256
See application file for complete search history.

(56) **References Cited**

U.S. PATENT DOCUMENTS

D234,206 S	1/1975	Cook	
D234,207 S	1/1975	Cook	
D235,893 S	7/1975	Becker	
D240,445 S	7/1976	Becker	
D256,262 S	8/1980	Benson	
D368,751 S	4/1996	Rife	
D369,393 S	4/1996	Takahashi et al.	
D397,178 S	8/1998	Havens et al.	
D400,942 S *	11/1998	Billings	D21/742
D405,856 S	2/1999	Tang et al.	
D413,951 S *	9/1999	Storer et al.	D21/744
5,951,412 A	9/1999	Rose et al.	
D420,411 S	2/2000	Hettinger	
D458,657 S	6/2002	Shmoldas et al.	
D484,937 S	1/2004	Madore et al.	
D485,321 S *	1/2004	Breier et al.	D21/738
6,692,378 B2	2/2004	Shmoldas et al.	
D526,035 S *	8/2006	Hueber	D21/743
D532,067 S	11/2006	Soracco et al.	

2002/0103039 A1	8/2002	Shmoldas et al.
2005/0137028 A1	6/2005	Lukasiewicz, Jr. et al.
2005/0215346 A1	9/2005	Iwade
2006/0035718 A1	2/2006	Soracco et al.
2006/0040763 A1	2/2006	Soracco et al.
2006/0040764 A1	2/2006	Soracco et al.
2006/0223646 A1	10/2006	Rife
2007/0032311 A1	2/2007	Kajita
2007/0155537 A1	7/2007	Morris et al.

OTHER PUBLICATIONS

Golfsmith Catalog, Jul. 1995, p. 19.
Full Line Catalog, 1996, p. 1-33.
Golfsmith Catalog, 1997, p. 74.

* cited by examiner

Primary Examiner—Mitchell Siegel

(74) *Attorney, Agent, or Firm*—Banner & Witcoff, Ltd.

(57) **CLAIM**

The ornamental design for a golf club head for a putter, as shown and described.

DESCRIPTION

FIG. 1 is a top perspective view of a golf club head for a putter showing our new design;

FIG. 2 is a rear view thereof;

FIG. 3 is a toe end view thereof;

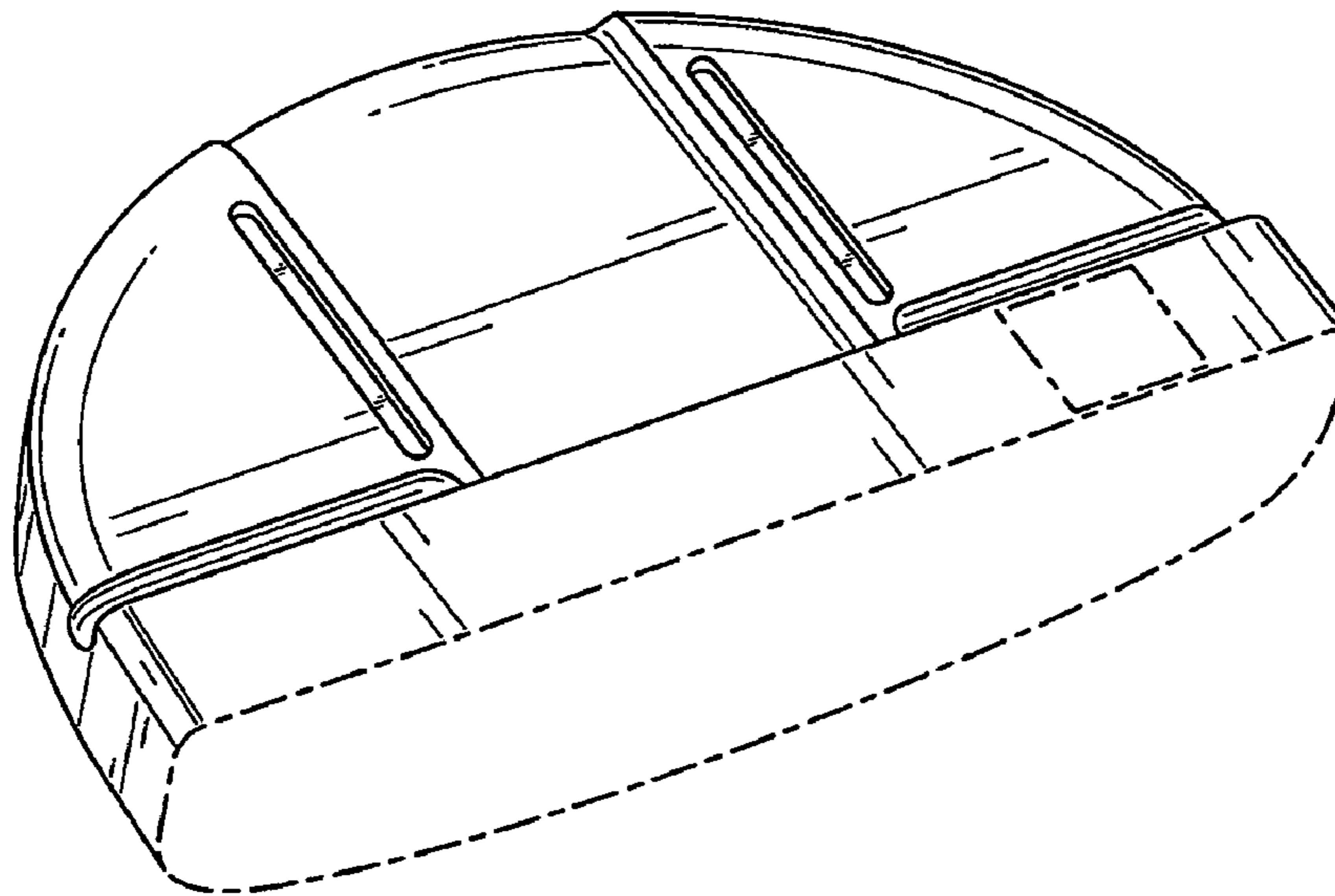
FIG. 4 is a heel end view thereof;

FIG. 5 is a top view thereof; and,

FIG. 6 is a bottom view thereof.

The uneven broken line immediately adjacent to the shaded area represents an unclaimed boundary of the design. The unshaded rectangular region within the shaded region and the uneven broken line showing of the remainder of the golf club head for a putter are for illustrative purposes only and form no part of the claimed design.

1 Claim, 4 Drawing Sheets



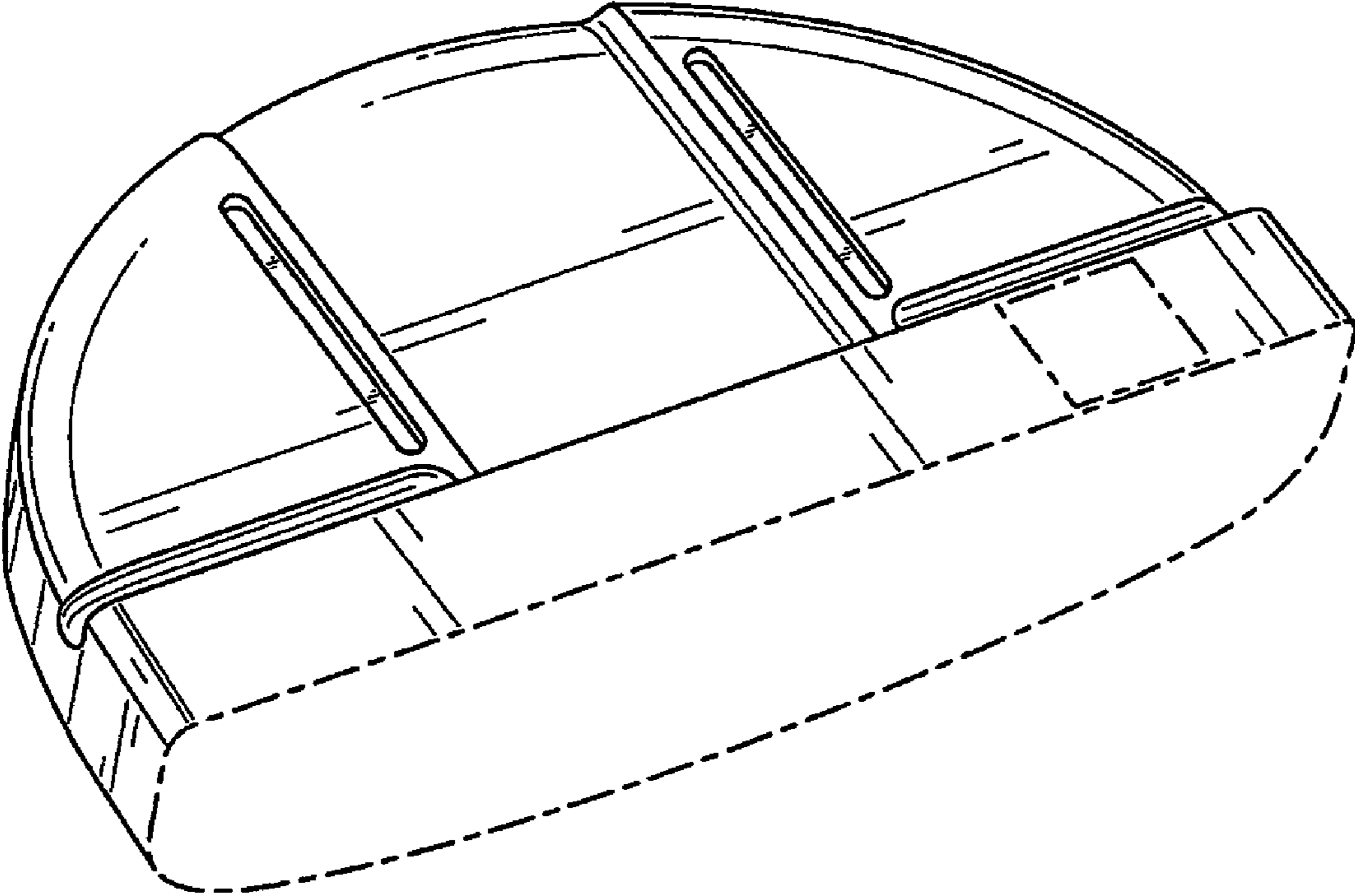


FIG. 1

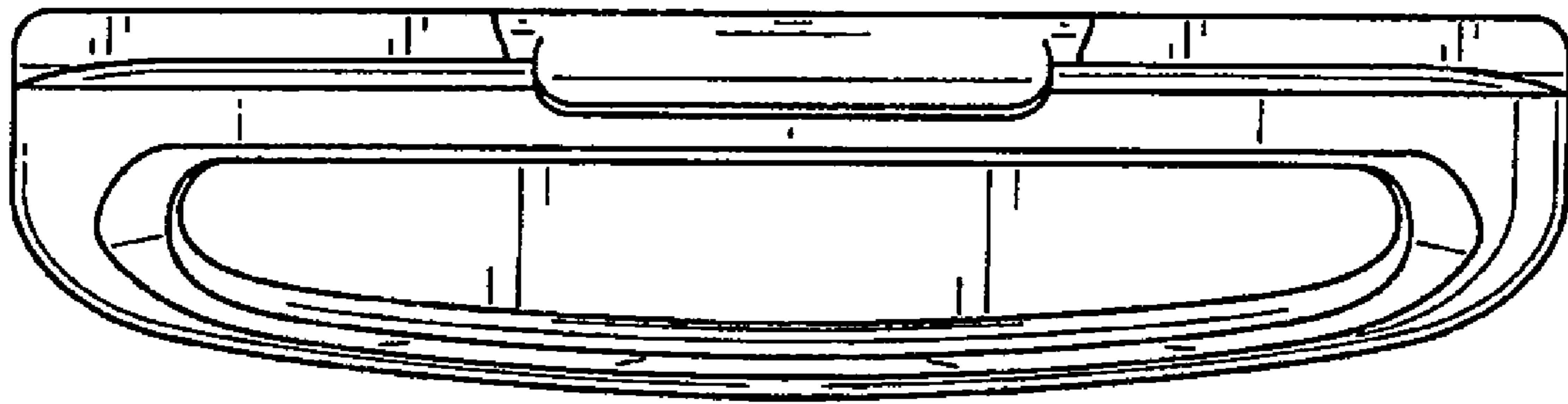


FIG. 2

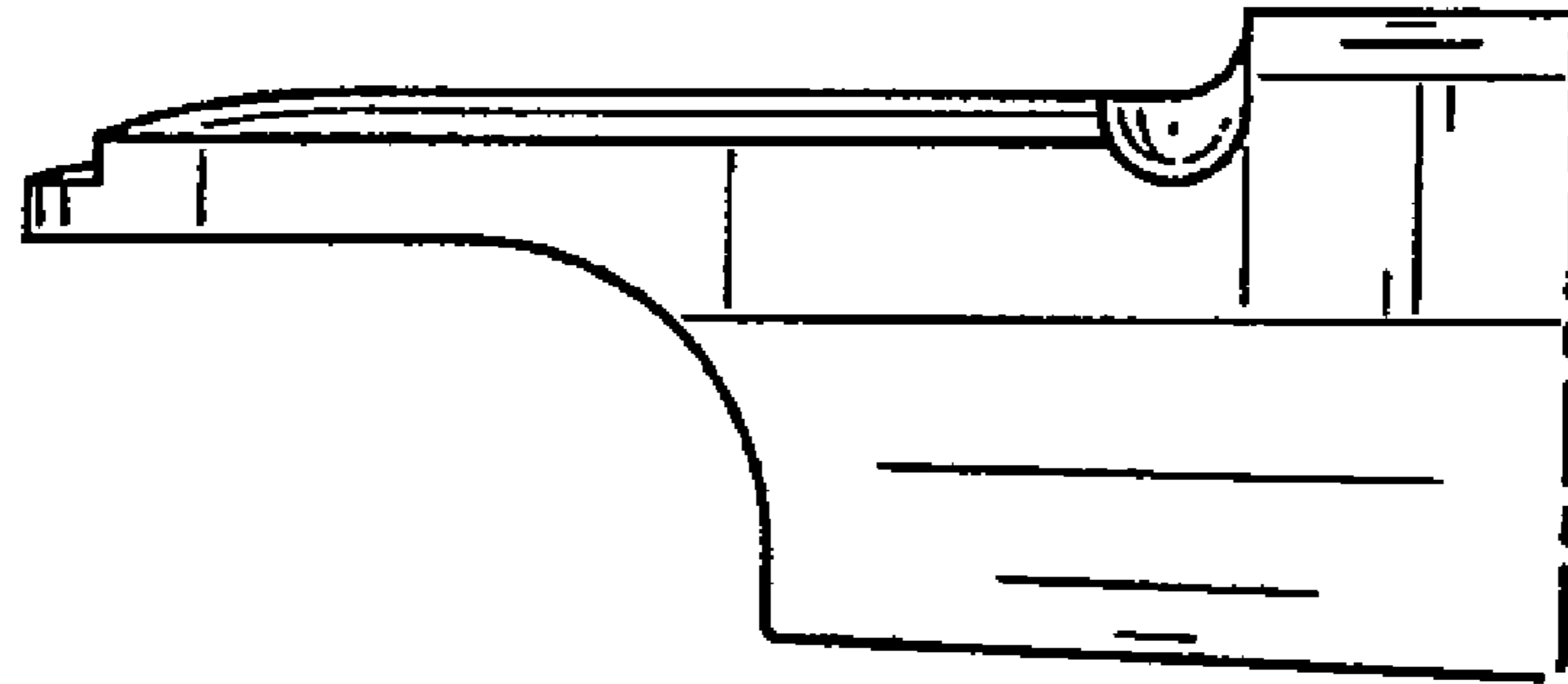


FIG. 3

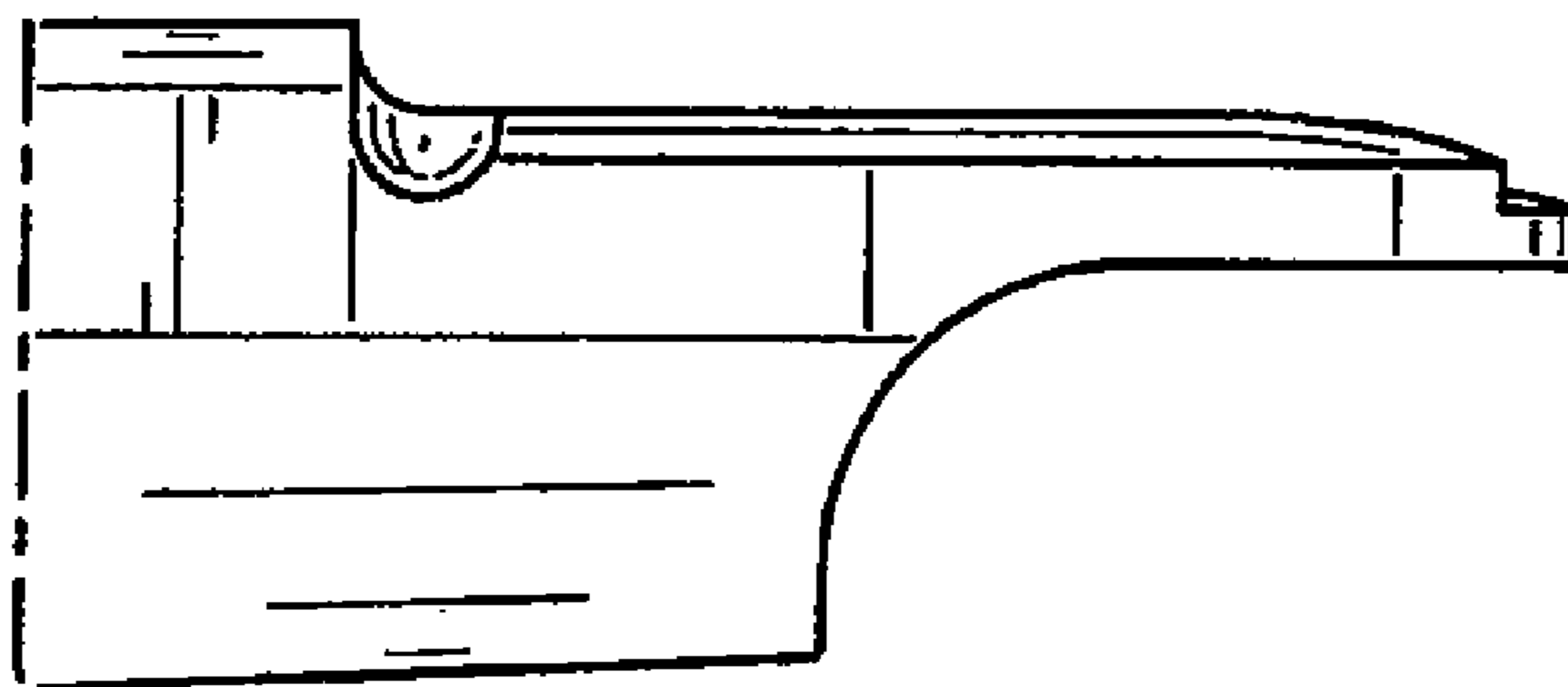


FIG. 4

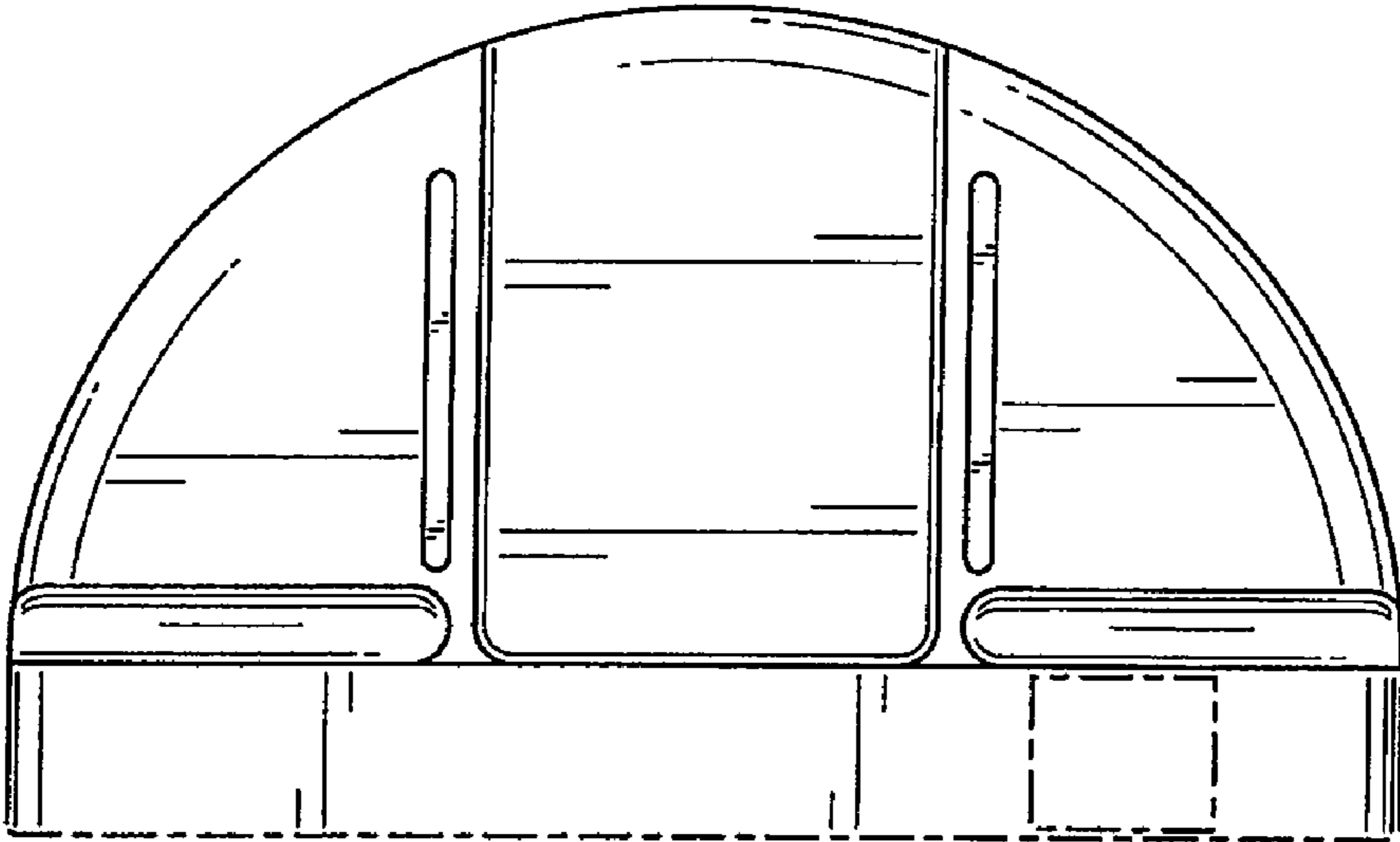


FIG. 5

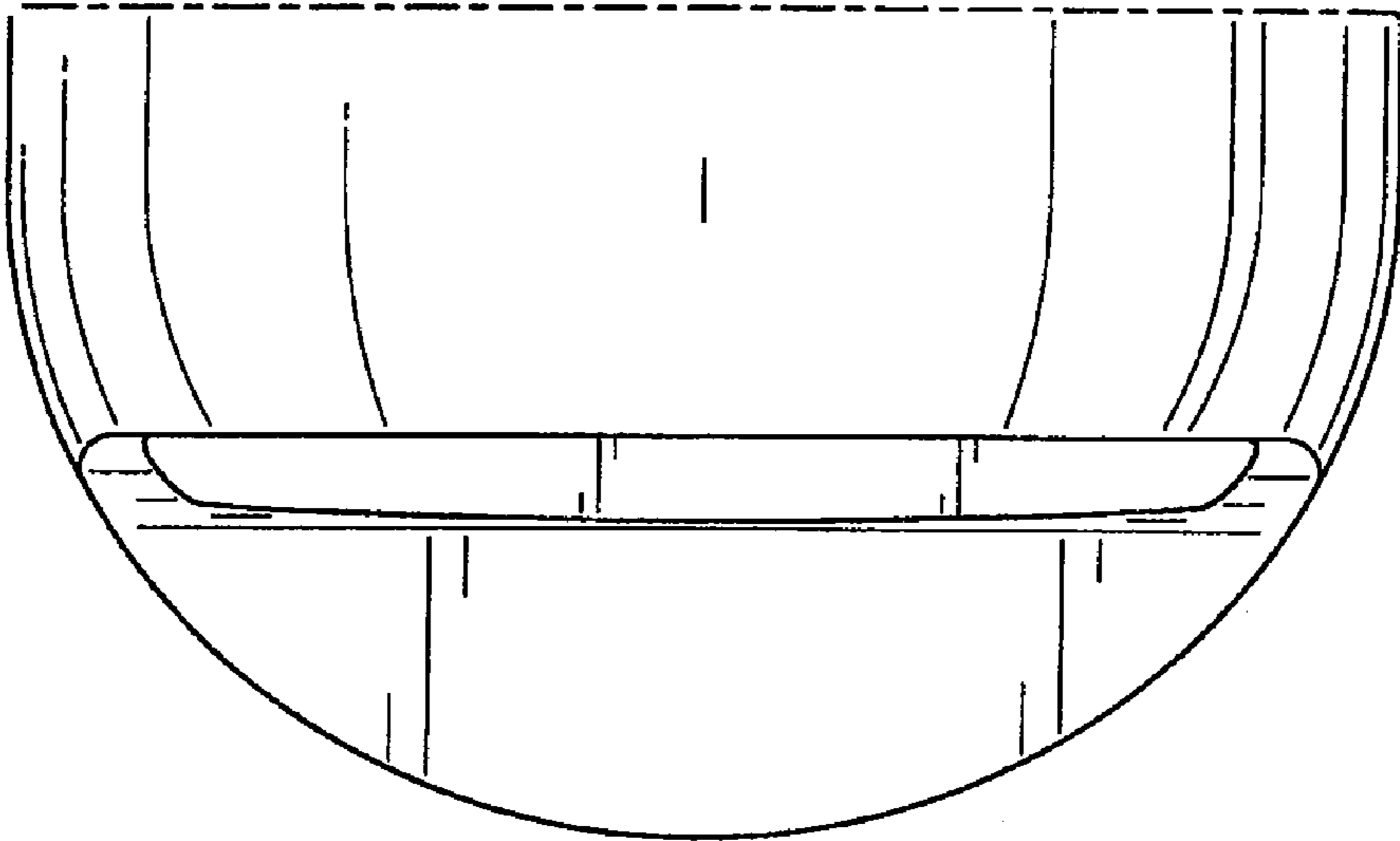


FIG. 6