



US00D564608S

(12) **United States Design Patent** (10) **Patent No.:** **US D564,608 S**  
**Oldknow et al.** (45) **Date of Patent:** **\*\* Mar. 18, 2008**

(54) **GOLF CLUB HEAD FOR A PUTTER**

2006/0040764 A1 2/2006 Soracco et al.  
 2006/0223646 A1 10/2006 Rife  
 2007/0032311 A1 2/2007 Kajita  
 2007/0155537 A1 7/2007 Morris et al.

(75) Inventors: **Andrew G. V. Oldknow**, Beaverton,  
 OR (US); **David N. Franklin**,  
 Granbury, TX (US); **John T. Stites**,  
 Weatherford, TX (US)

**OTHER PUBLICATIONS**

Golfsmith Catalog, Jul. 1995, p. 19.  
 Full Line Catalog, 1996, p. 1-33.  
 Golfsmith Catalog, 1997, p. 74.

(73) Assignee: **Nike, Inc.**, Beaverton, OR (US)

\* cited by examiner

(\*\*) Term: **14 Years**

*Primary Examiner*—Mitchell Siegel

(21) Appl. No.: **29/297,307**

(74) *Attorney, Agent, or Firm*—Banner & Witcoff, Ltd.

(22) Filed: **Nov. 8, 2007**

(51) **LOC (8) Cl.** ..... **21-02**

(57) **CLAIM**

(52) **U.S. Cl.** ..... **D21/736**

The ornamental design for a golf club head for a putter, as shown and described.

(58) **Field of Classification Search** ..... D21/736-746,  
 D21/759; 473/324-331, 340-341, 251-256  
 See application file for complete search history.

**DESCRIPTION**

(56) **References Cited**

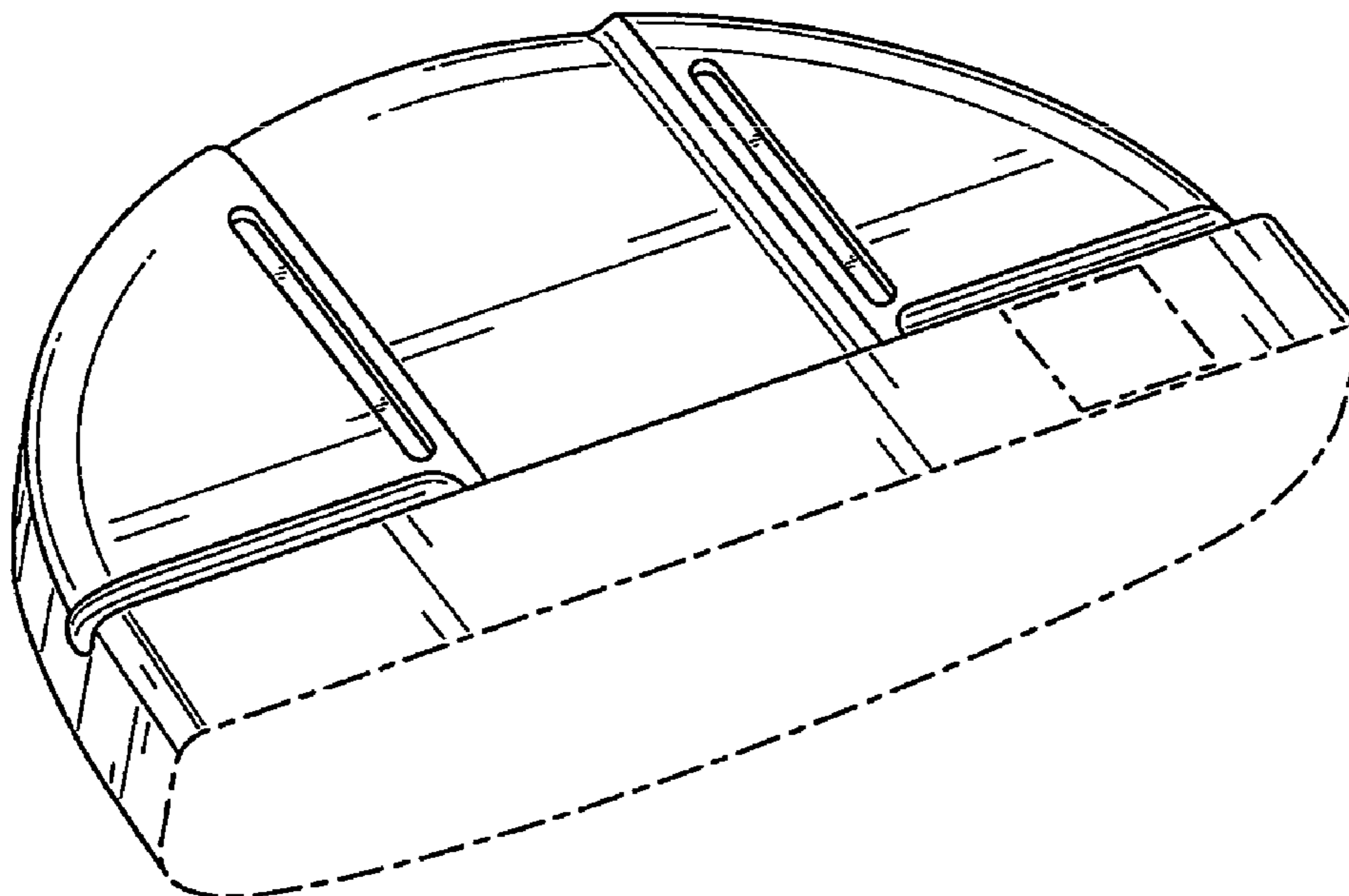
FIG. 1 is a top perspective view of a golf club head for a putter showing our new design;  
 FIG. 2 is a rear view thereof;  
 FIG. 3 is a toe end view thereof;  
 FIG. 4 is a heel end view thereof; and,  
 FIG. 5 is a top view thereof.

**U.S. PATENT DOCUMENTS**

D368,751 S	4/1996	Rife	
D369,393 S	4/1996	Takahashi et al.	
D397,178 S	8/1998	Havens et al.	
D400,942 S *	11/1998	Billings	D21/742
D413,951 S *	9/1999	Storer et al.	D21/744
D458,657 S	6/2002	Shmoldas et al.	
D485,321 S *	1/2004	Breier et al.	D21/738
6,692,378 B2	2/2004	Shmoldas et al.	
D526,035 S *	8/2006	Hueber	D21/743
D532,067 S	11/2006	Soracco et al.	
2002/0103039 A1	8/2002	Shmoldas et al.	
2005/0215346 A1	9/2005	Iwade	
2006/0035718 A1	2/2006	Soracco et al.	
2006/0040763 A1	2/2006	Soracco et al.	

The uneven broken line immediately adjacent to the shaded area represents an unclaimed boundary of the design. The unshaded rectangular region within the shaded region and the uneven broken line showing of the remainder of the golf club head for a putter are for illustrative purposes only and form no part of the claimed design.

**1 Claim, 4 Drawing Sheets**



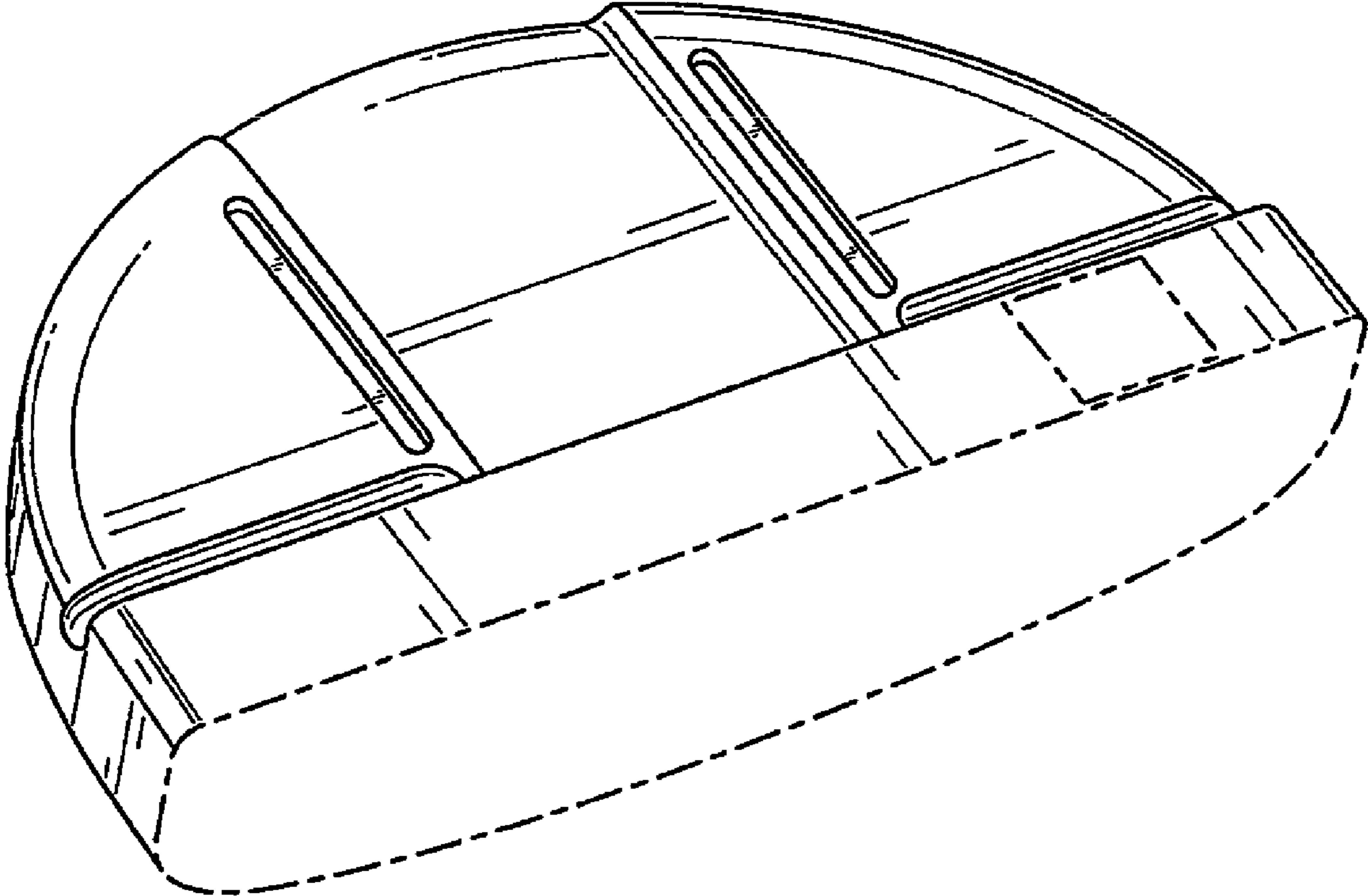


FIG. 1

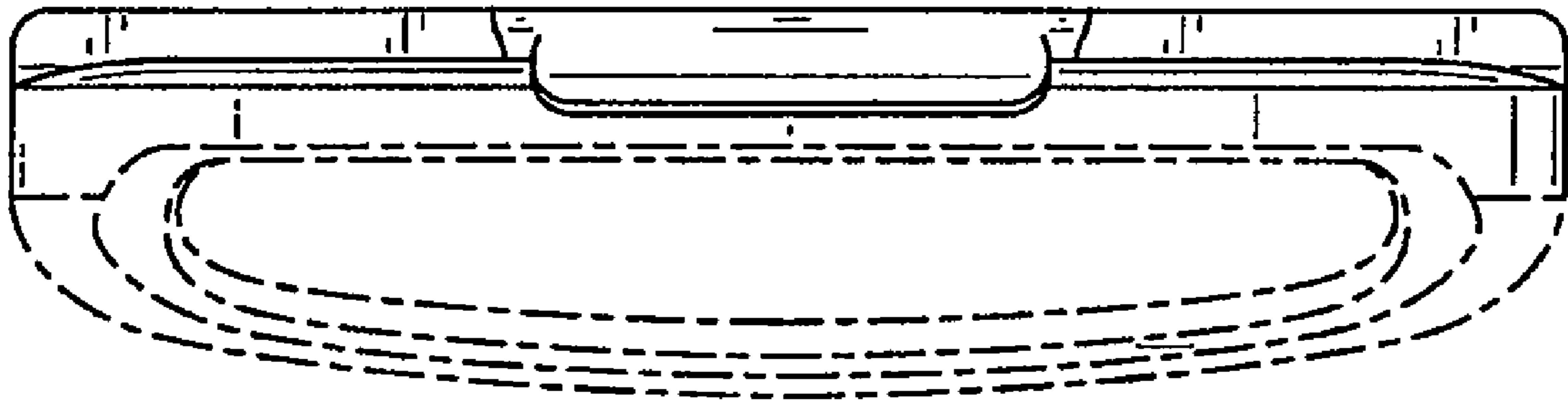


FIG. 2

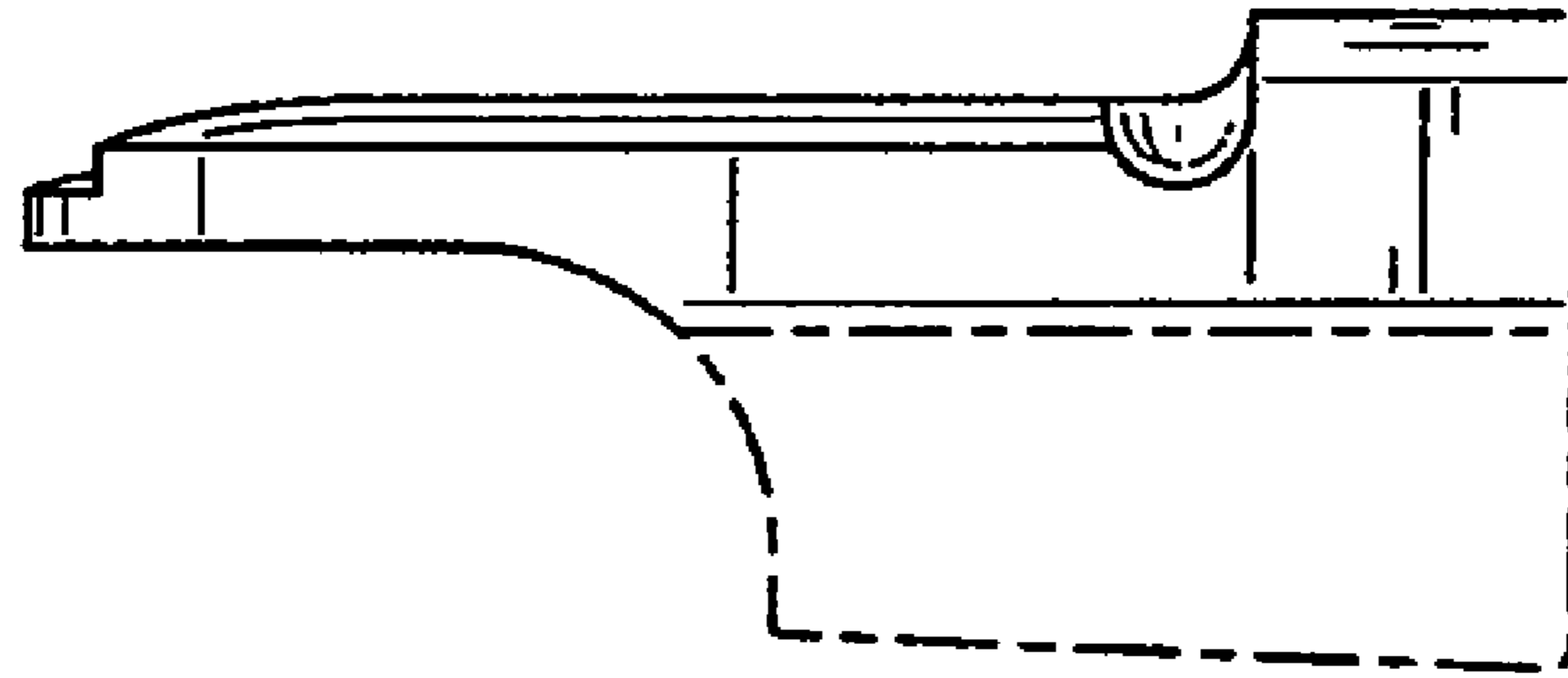


FIG. 3

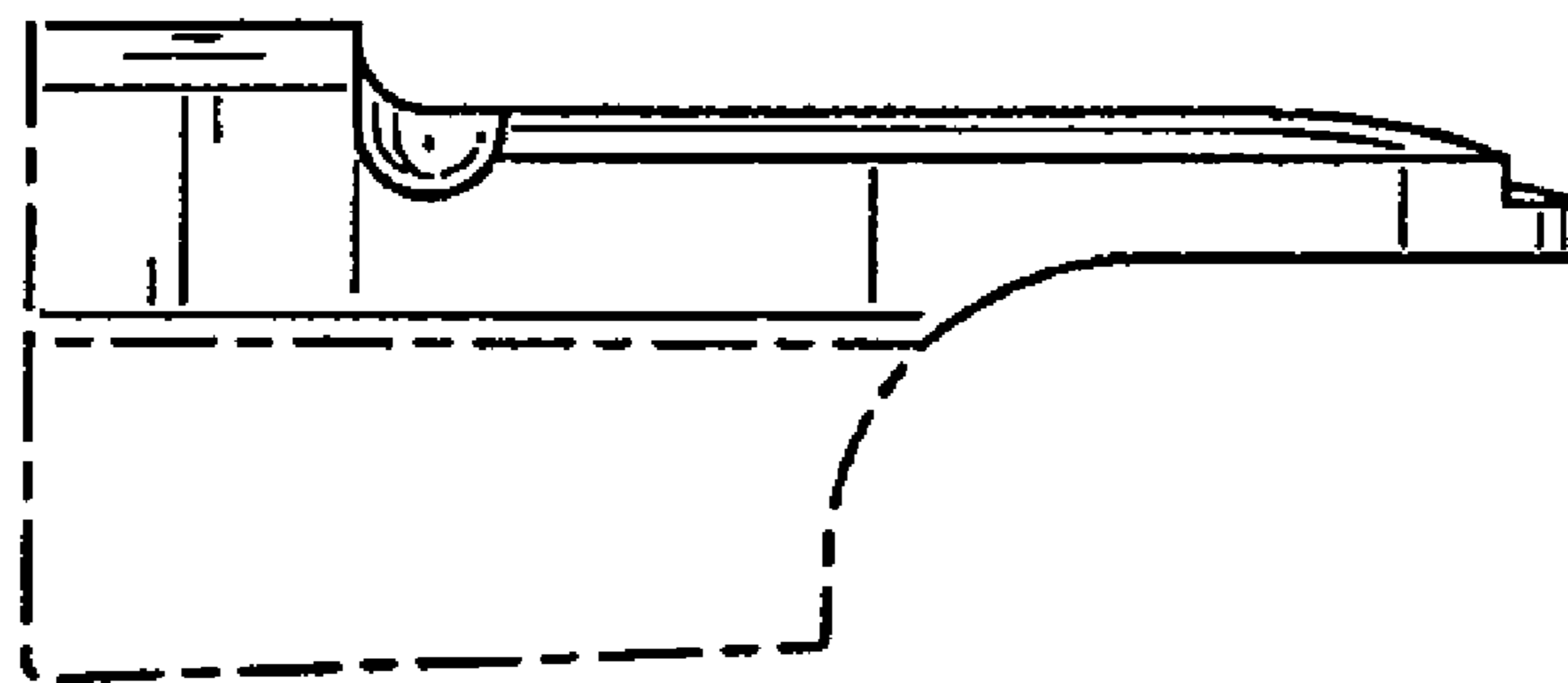


FIG. 4

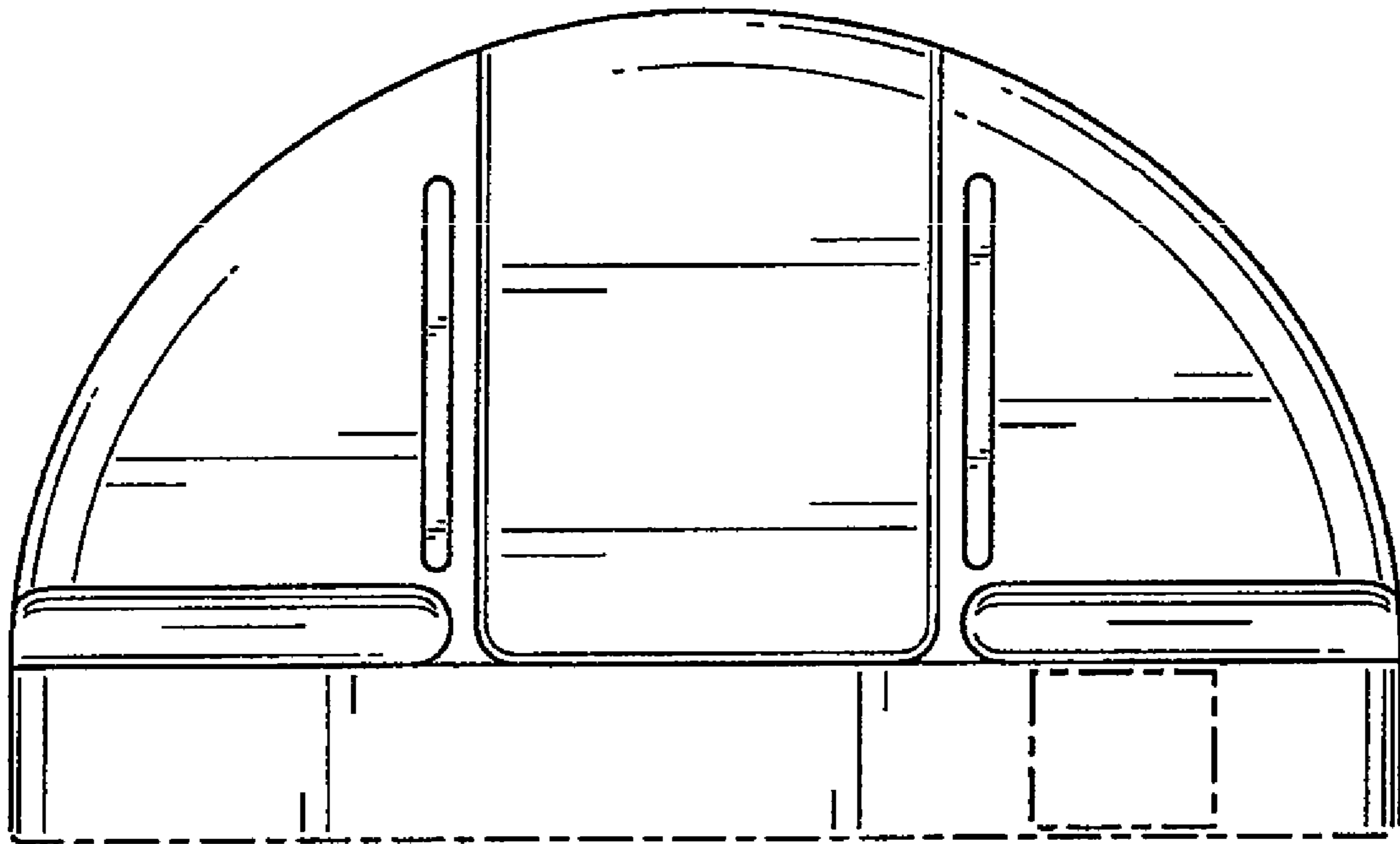


FIG. 5