

US00D564607S

(12) **United States Design Patent**  
**Oldknow et al.**

(10) **Patent No.:** **US D564,607 S**  
(45) **Date of Patent:** **\*\* Mar. 18, 2008**

(54) **GOLF CLUB HEAD FOR A PUTTER**

2007/0111816 A1 5/2007 Zielke et al.  
2007/0213140 A1 9/2007 Miller

(75) Inventors: **Andrew G. V. Oldknow**, Beaverton, OR (US); **David N. Franklin**, Granbury, TX (US); **John T. Stites**, Weatherford, TX (US)

**OTHER PUBLICATIONS**

Golfsmith, 1996 Catalog, Golden Arrow Putter #1, p. 40, dated 1996.  
Golfsmith 1999 Catalog, Longshot Putterheads #4155, p. 75, dated 1999.  
Golfsmith 2001 Catalog, Longshot Putters #4065, p. 42, dated 2001.

(73) Assignee: **Nike, Inc.**, Beaverton, OR (US)

\* cited by examiner

(\*\*) Term: **14 Years**

*Primary Examiner*—Mitchell Siegel

(21) Appl. No.: **29/297,239**

(74) *Attorney, Agent, or Firm*—Banner & Witcoff, Ltd.

(22) Filed: **Nov. 7, 2007**

(57) **CLAIM**

(51) **LOC (8) Cl.** ..... **21-02**

The ornamental design for a golf club head for a putter, as shown and described.

(52) **U.S. Cl.** ..... **D21/736**

(58) **Field of Classification Search** ..... D21/736–746,  
D21/759; 473/324–331, 340–341, 251–256  
See application file for complete search history.

**DESCRIPTION**

(56) **References Cited**

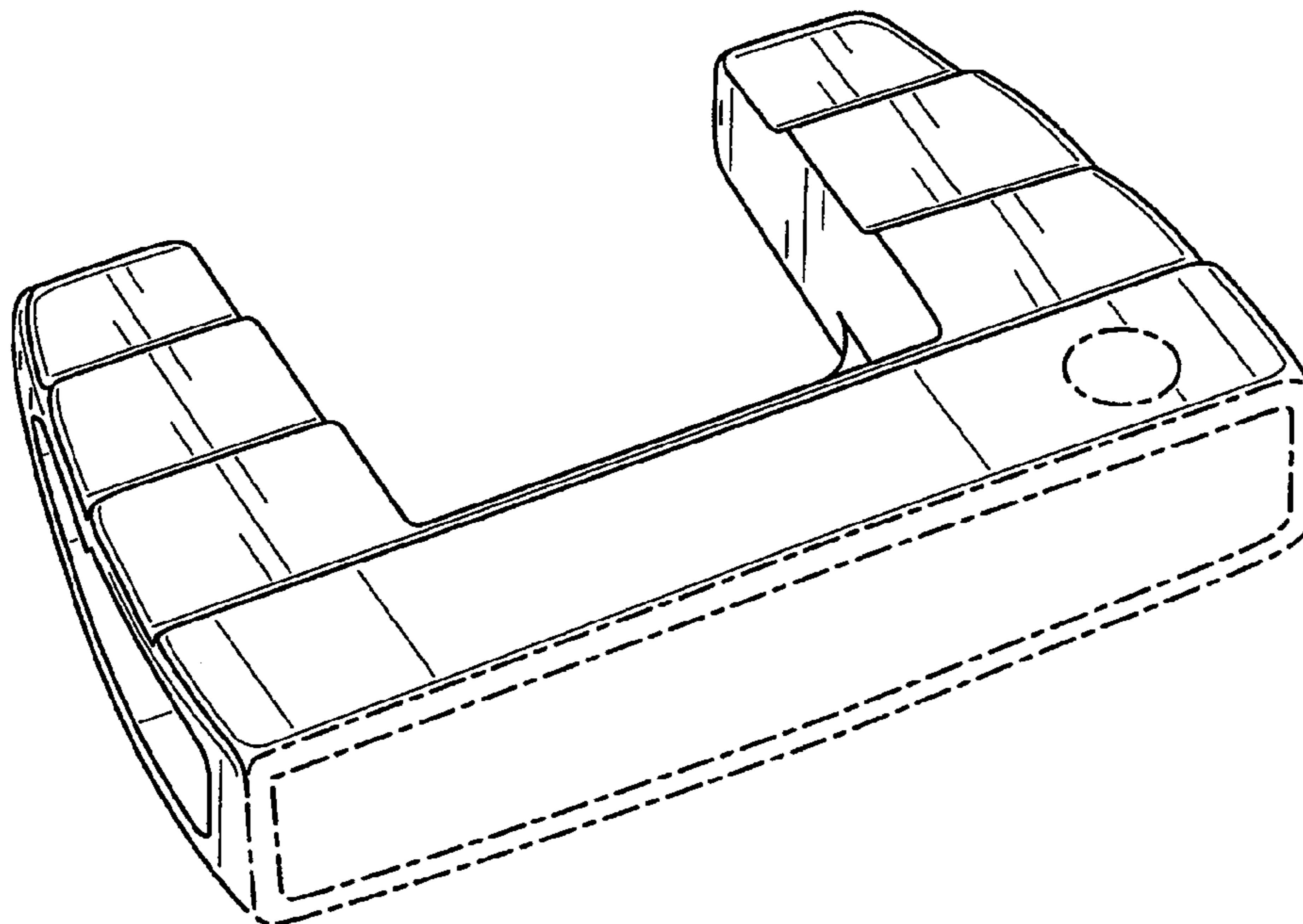
FIG. 1 is a top perspective view of a golf club head for a putter showing our new design;  
FIG. 2 is a rear view thereof;  
FIG. 3 is a toe end view thereof;  
FIG. 4 is a heel end view thereof;  
FIG. 5 is a top view thereof; and,  
FIG. 6 is a bottom view thereof.

**U.S. PATENT DOCUMENTS**

D373,162 S	8/1996	Meyer et al.	
D420,078 S *	2/2000	Dawson	..... D21/736
6,422,950 B1	7/2002	Whitlam	
6,497,628 B1	12/2002	Gunderson	
6,533,680 B2	3/2003	Wu	
D474,821 S	5/2003	Wells et al.	
D486,872 S	2/2004	Schweigert et al.	
6,699,142 B2	3/2004	Wu	
D517,143 S	3/2006	Petsel et al.	
D523,107 S	6/2006	Grace	
D531,241 S	10/2006	Hueber	
D532,844 S *	11/2006	Rollinson	..... D21/736
D532,845 S *	11/2006	Rollinson	..... D21/736
D534,974 S *	1/2007	Haack	..... D21/743
7,169,061 B2	1/2007	Hou	

The uneven broken line immediately adjacent to the shaded area represents an unclaimed boundary of the design. The unshaded circular region within the shaded region and the uneven broken line showing of the remainder of the golf club head for a putter are for illustrative purposes only and form no part of the claimed design.

**1 Claim, 4 Drawing Sheets**



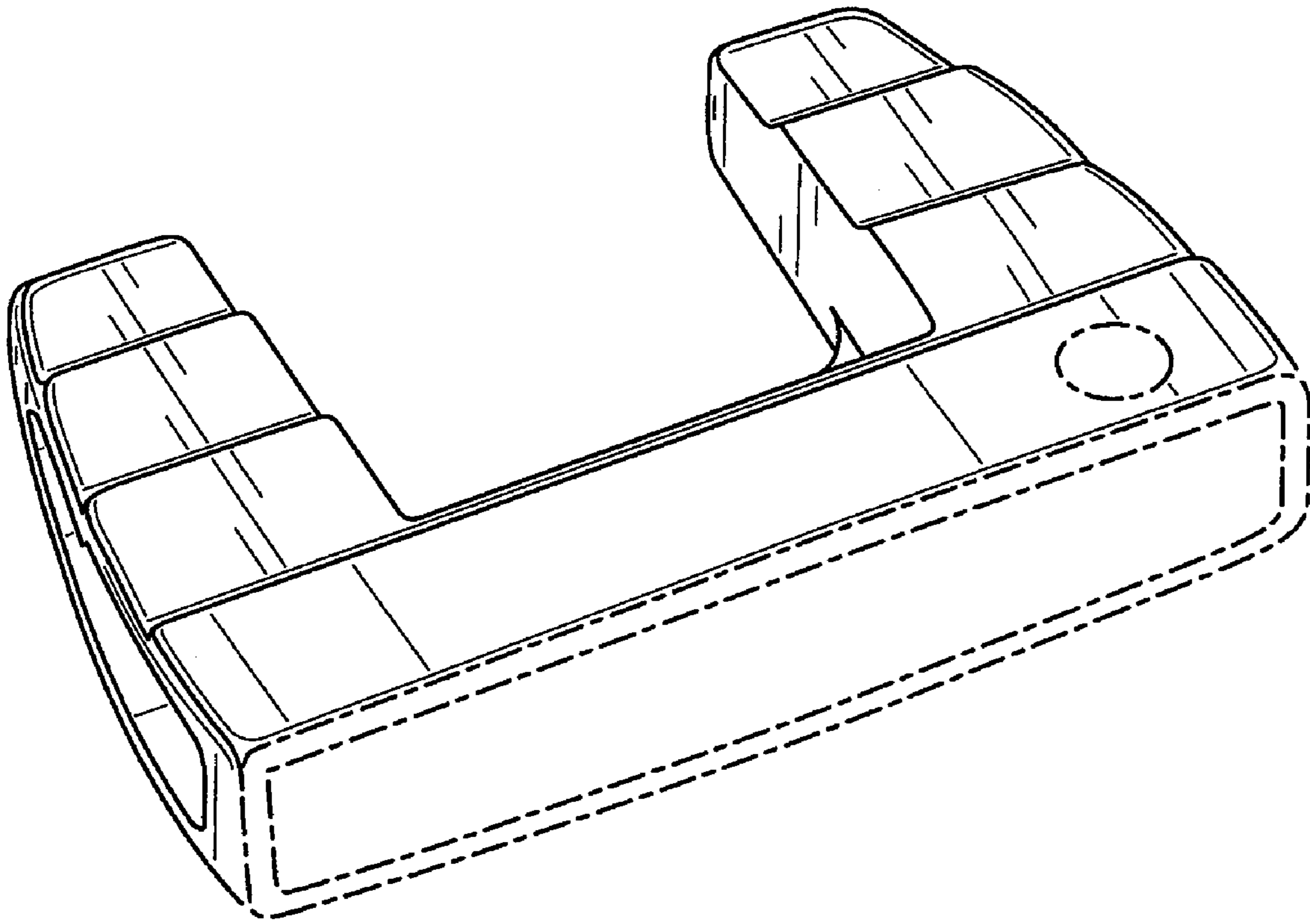


FIG. 1

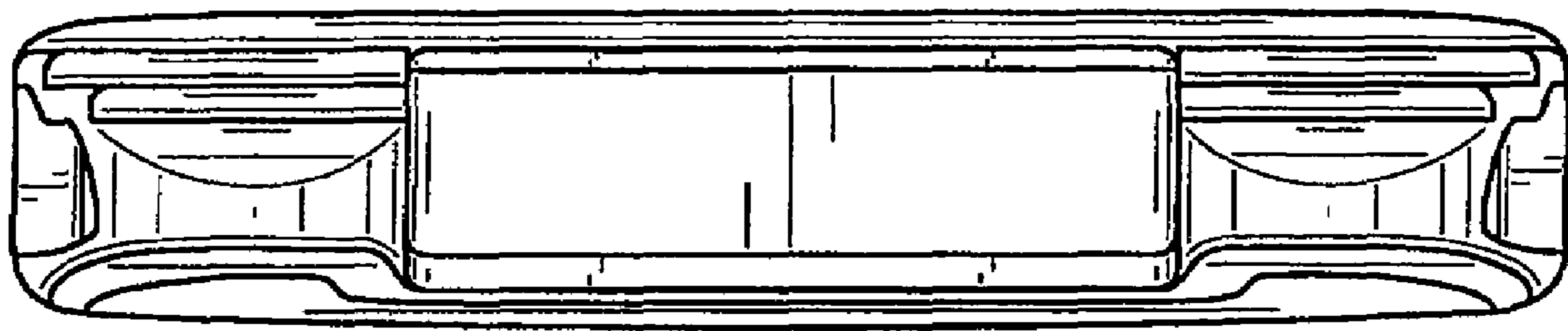


FIG. 2

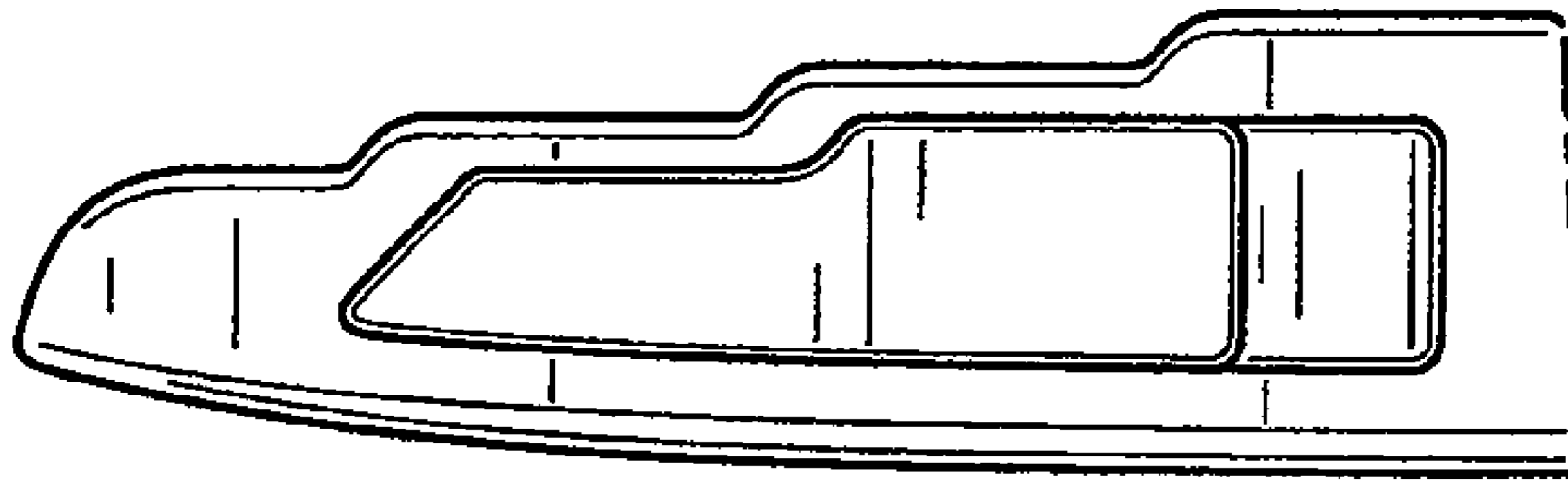


FIG. 3

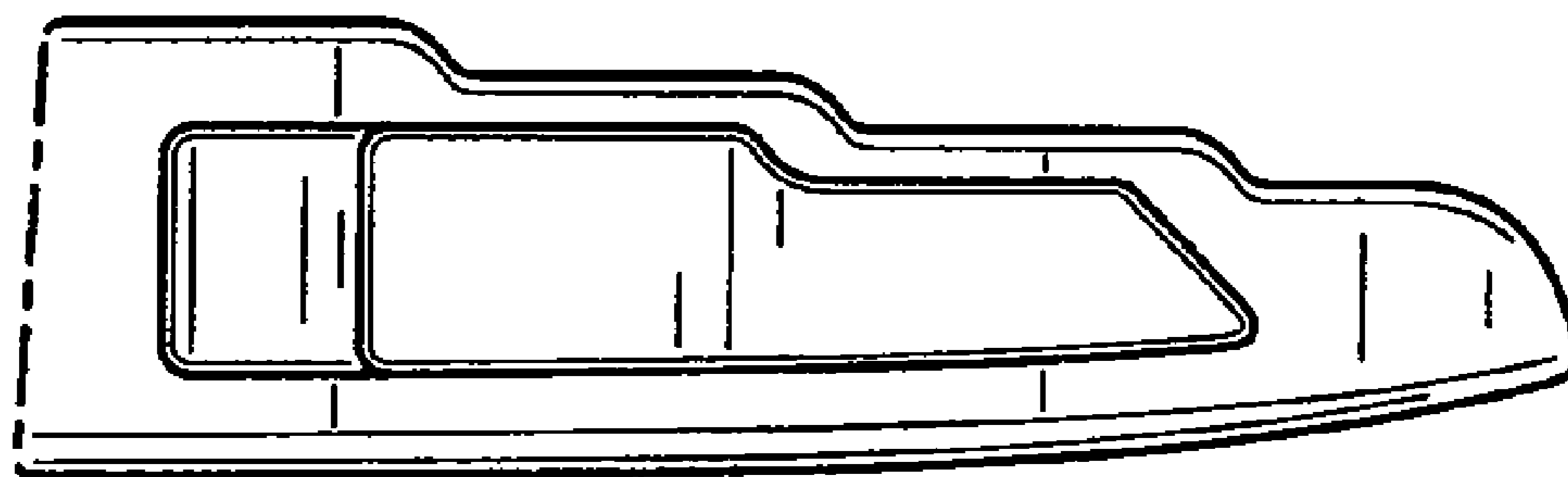


FIG. 4

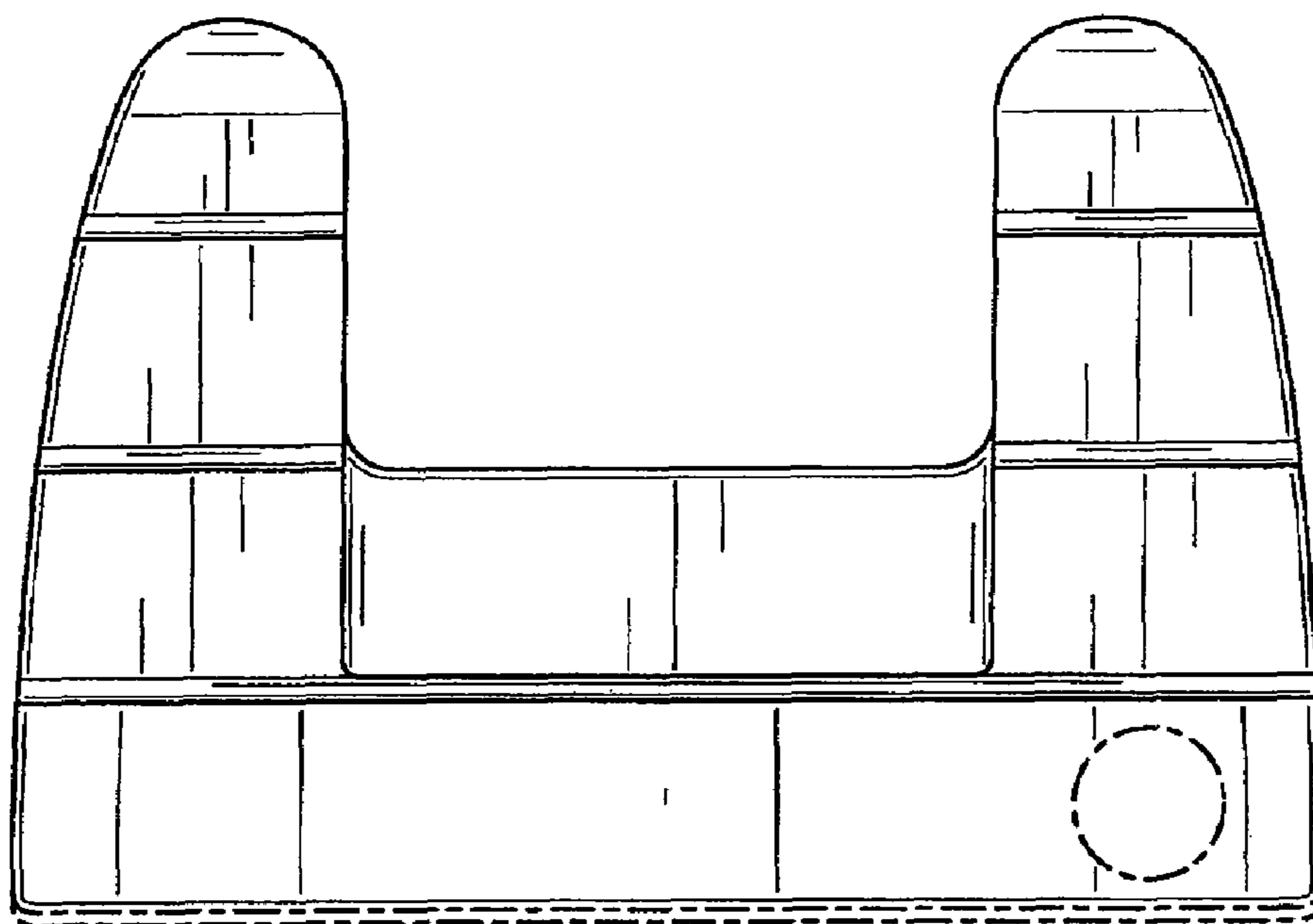


FIG. 5

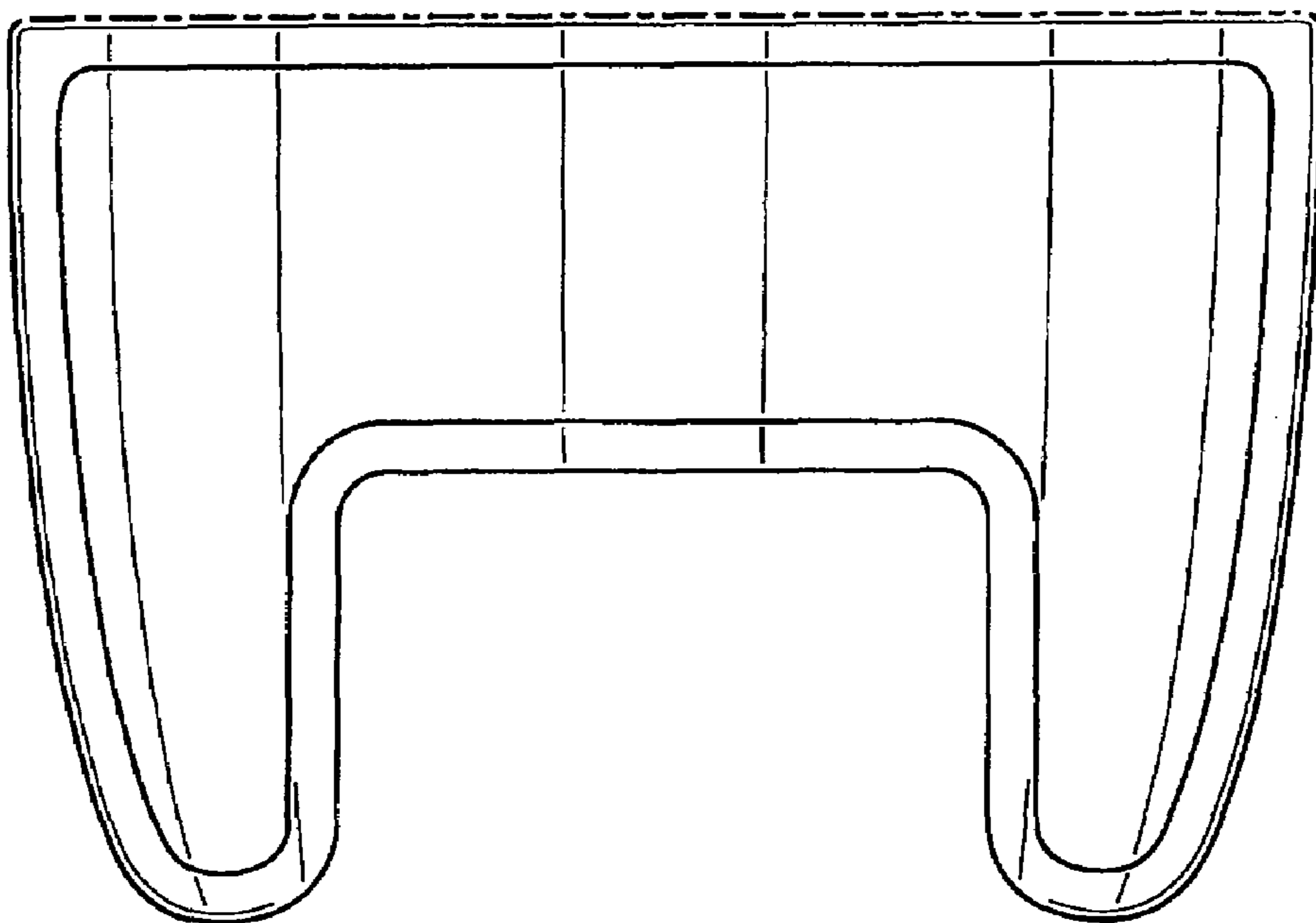


FIG. 6