



US00D564603S

(12) **United States Design Patent**
Glickman et al.

(10) **Patent No.:** **US D564,603 S**
(45) **Date of Patent:** **** Mar. 18, 2008**

(54) **CONSTRUCTION TOY COMPONENT**

(75) Inventors: **Joel Glickman**, Jupiter, FL (US);
Matthias F. W. Doepner, Harleysville,
PA (US); **Mark McCormick**,
Coopersburg, PA (US); **Michael**
Klitsch, Quakertown, PA (US)

(73) Assignee: **K'NEX Limited Partnership Group**,
Hatfield, PA (US)

(**) Term: **14 Years**

(21) Appl. No.: **29/278,873**

(22) Filed: **Apr. 12, 2007**

(51) **LOC (8) Cl.** **21-01**

(52) **U.S. Cl.** **D21/486**

(58) **Field of Classification Search** D21/484-505;
D25/113-118; 273/153, 156; 446/69, 85,
446/102-128; 434/259

See application file for complete search history.

(56) **References Cited**

U.S. PATENT DOCUMENTS

- 2,810,233 A * 10/1957 Jakobsen 446/126
- D308,706 S * 6/1990 Mikkelsen D21/486
- D356,123 S * 3/1995 Glynn D21/486

- D372,055 S * 7/1996 Hrsel D21/487
- D409,257 S * 5/1999 Toft D21/487
- 2004/0077256 A1 * 4/2004 Laferrera 446/85

* cited by examiner

Primary Examiner—Holly H. Baynham

Assistant Examiner—Cynthia M. Chin

(74) *Attorney, Agent, or Firm*—Schweitzer Cornman Gross
& Bondell LLP

(57) **CLAIM**

The ornamental design for a construction toy component, as shown and described.

DESCRIPTION

FIG. 1 is an end elevation view of the construction toy component, the other end being identical;

FIG. 2 is a top perspective view of the construction toy component of FIG. 1;

FIG. 3 is a side elevation view of the construction toy component of FIG. 1, the other side being identical; and,

FIG. 4 is a top plan view of the construction toy component of FIG. 1.

The bottom forms no part of the claimed design.

1 Claim, 2 Drawing Sheets

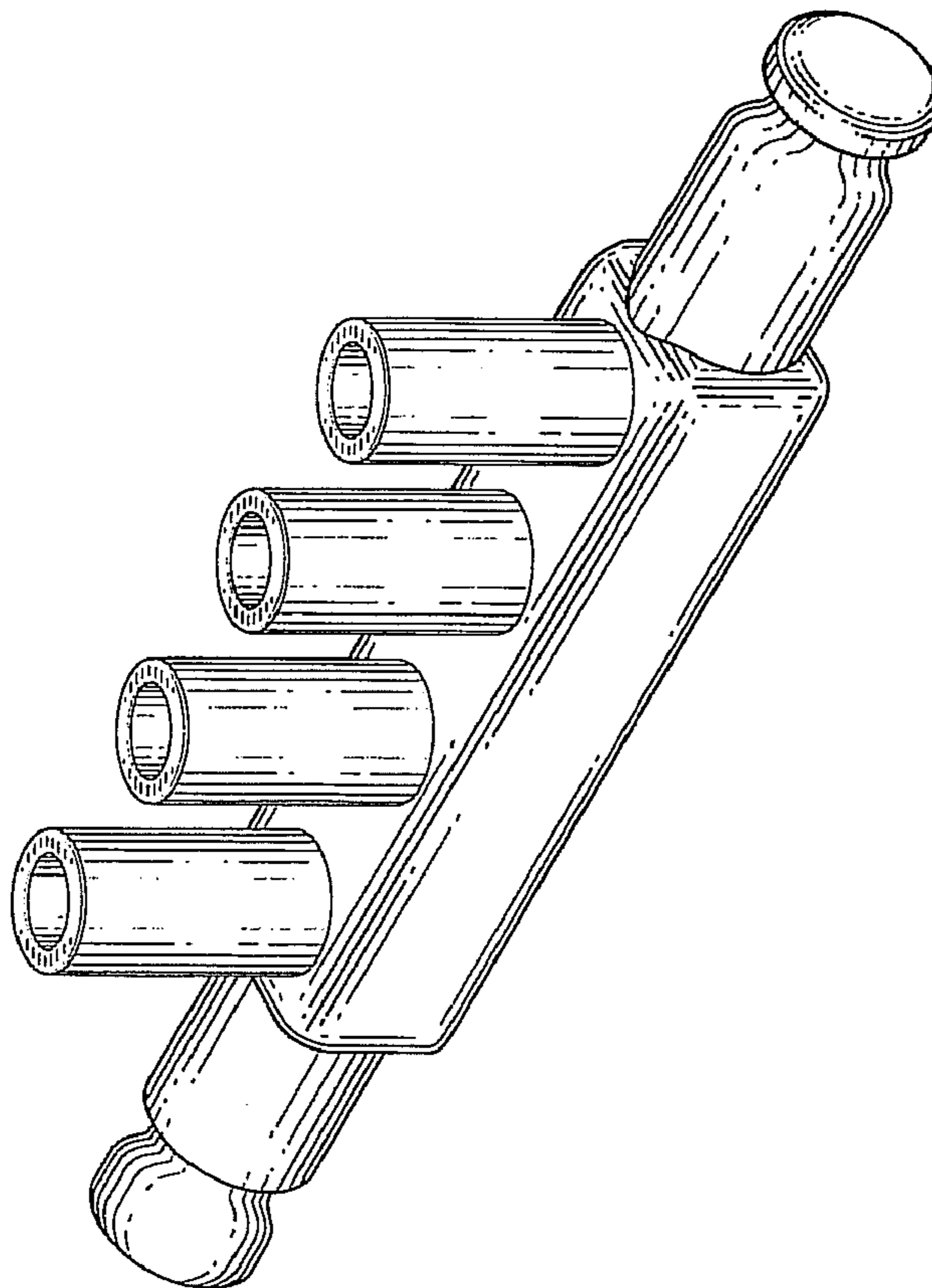


FIG. 1

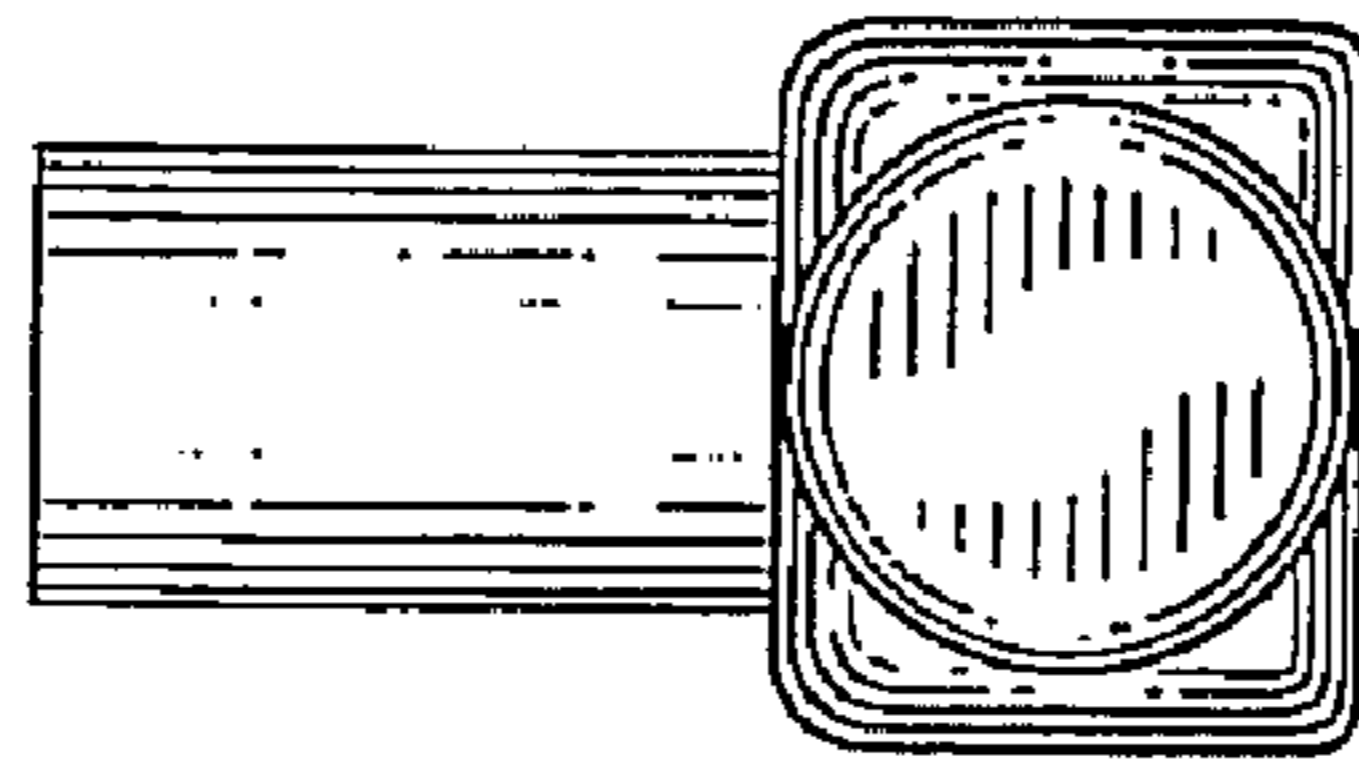


FIG. 2

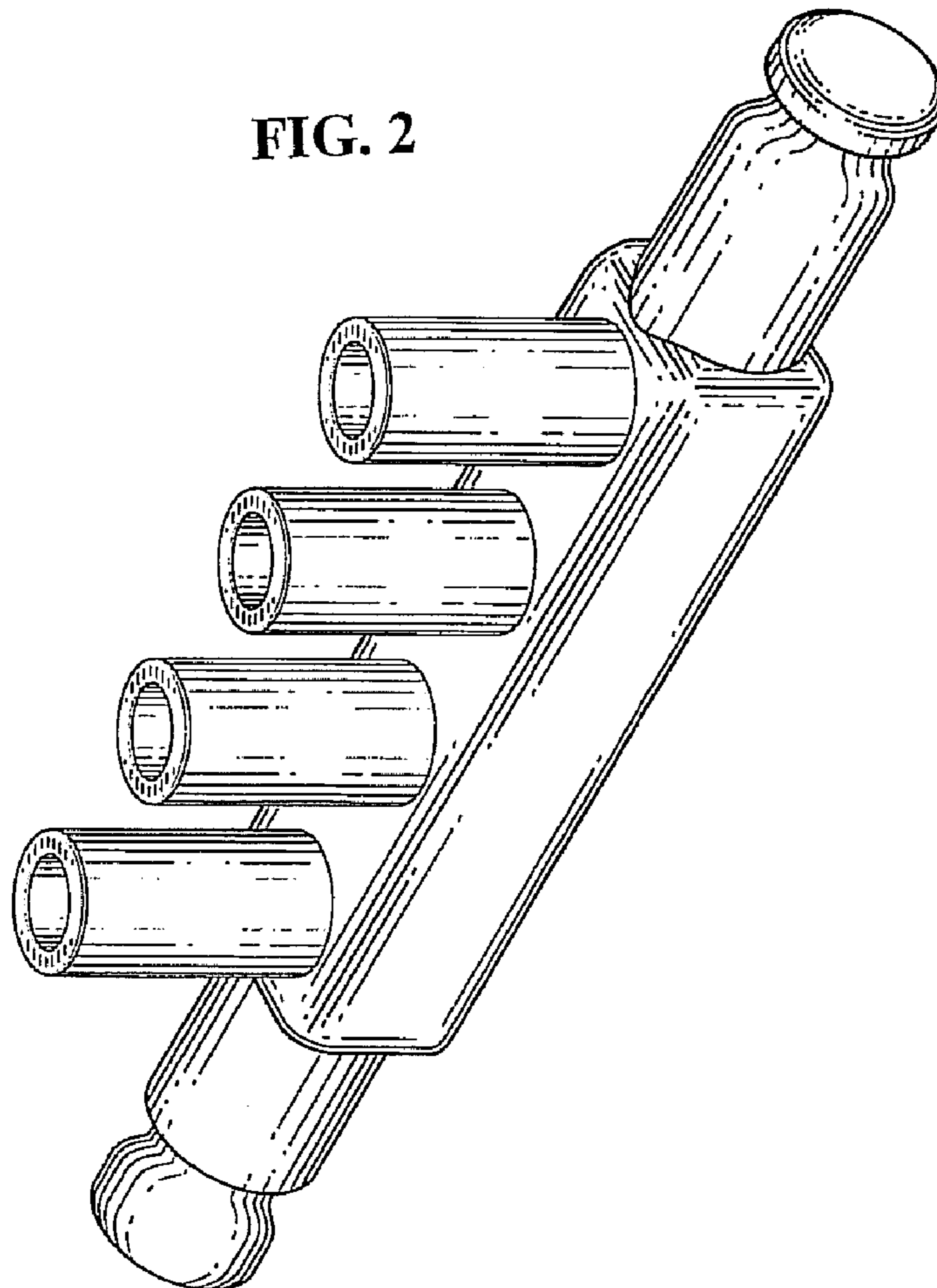


FIG. 3

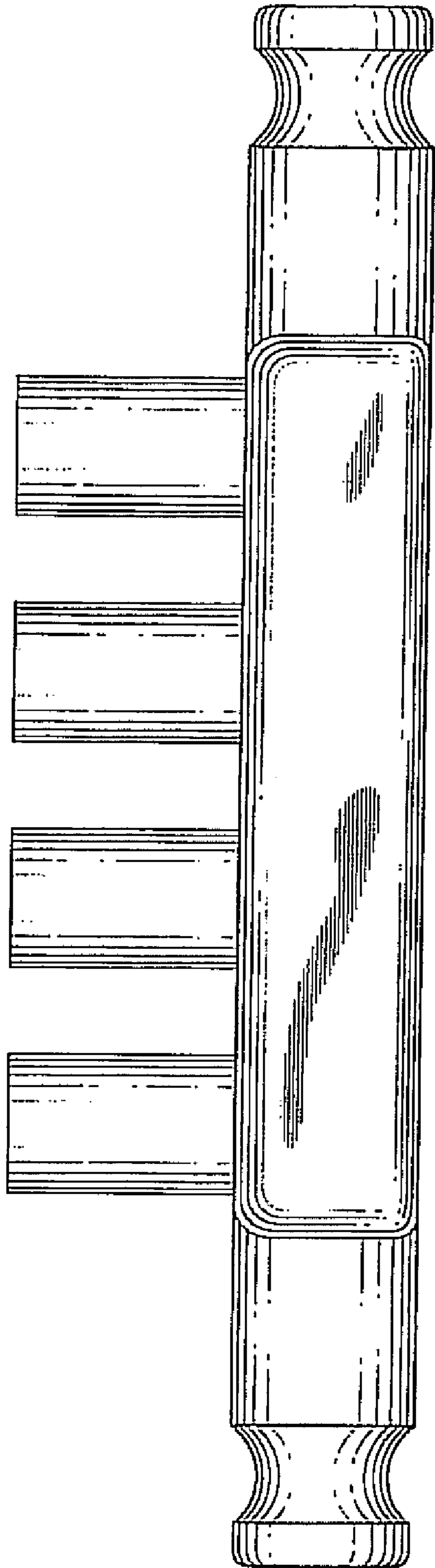


FIG. 4

