

US00D564600S

(12) **United States Design Patent**
Greenberg et al.

(10) **Patent No.:** **US D564,600 S**

(45) **Date of Patent:** **** Mar. 18, 2008**

(54) **GAMING MACHINE WITH BUMP-OUT FEATURE**

(75) Inventors: **Jacob C. Greenberg**, Elgin, IL (US);
Eleobardo Moreno, St. John, IN (US);
Frank E. Rodriguez, Chicago, IL (US);
Gary Strahinic, Mount Prospect, IL (US);
Norman R. Wurz, Des Plaines, IL (US)

(73) Assignee: **WMS Gaming Inc.**, Waukegan, IL (US)

(**) Term: **14 Years**

(21) Appl. No.: **29/268,264**

(22) Filed: **Nov. 2, 2006**

(51) **LOC (8) Cl.** **21-03**

(52) **U.S. Cl.** **D21/370; D21/385**

(58) **Field of Classification Search** D21/324,
D21/329, 369–370, 385; 273/138.1; 463/11–13,
463/25–26, 46–47

See application file for complete search history.

(56) **References Cited**

U.S. PATENT DOCUMENTS

D351,869 S	10/1994	Rothschild et al.	D21/37
D459,402 S *	6/2002	Wurz et al.	D21/369
D464,377 S	10/2002	Wurz et al.	D21/325
D495,754 S	9/2004	Wurz et al.	D21/370
D495,755 S	9/2004	Wurz et al.	D21/370
D508,268 S	8/2005	Hanchar et al.	D21/369

D508,719 S *	8/2005	de Haas	D21/369
D508,961 S *	8/2005	Gatto et al.	D21/369
D509,254 S	9/2005	Rasmussen et al.	D21/369
D512,105 S	11/2005	Chitrapongse et al.	D21/370
2005/0014547 A1	1/2005	Gomez et al.	463/16
2006/0079316 A1*	4/2006	Flemming et al.	463/25
2006/0211484 A1*	9/2006	Hornik et al.	463/25

* cited by examiner

Primary Examiner—Sandra L. Morris

(74) *Attorney, Agent, or Firm*—Nixon Peabody LLP

(57) **CLAIM**

We claim the ornamental design for a “gaming machine with bump-out feature,” as shown and described.

DESCRIPTION

FIG. 1 is a perspective view of a gaming machine with bump-out feature showing our new design.

FIG. 2 is a front view of the gaming machine shown in FIG. 1.

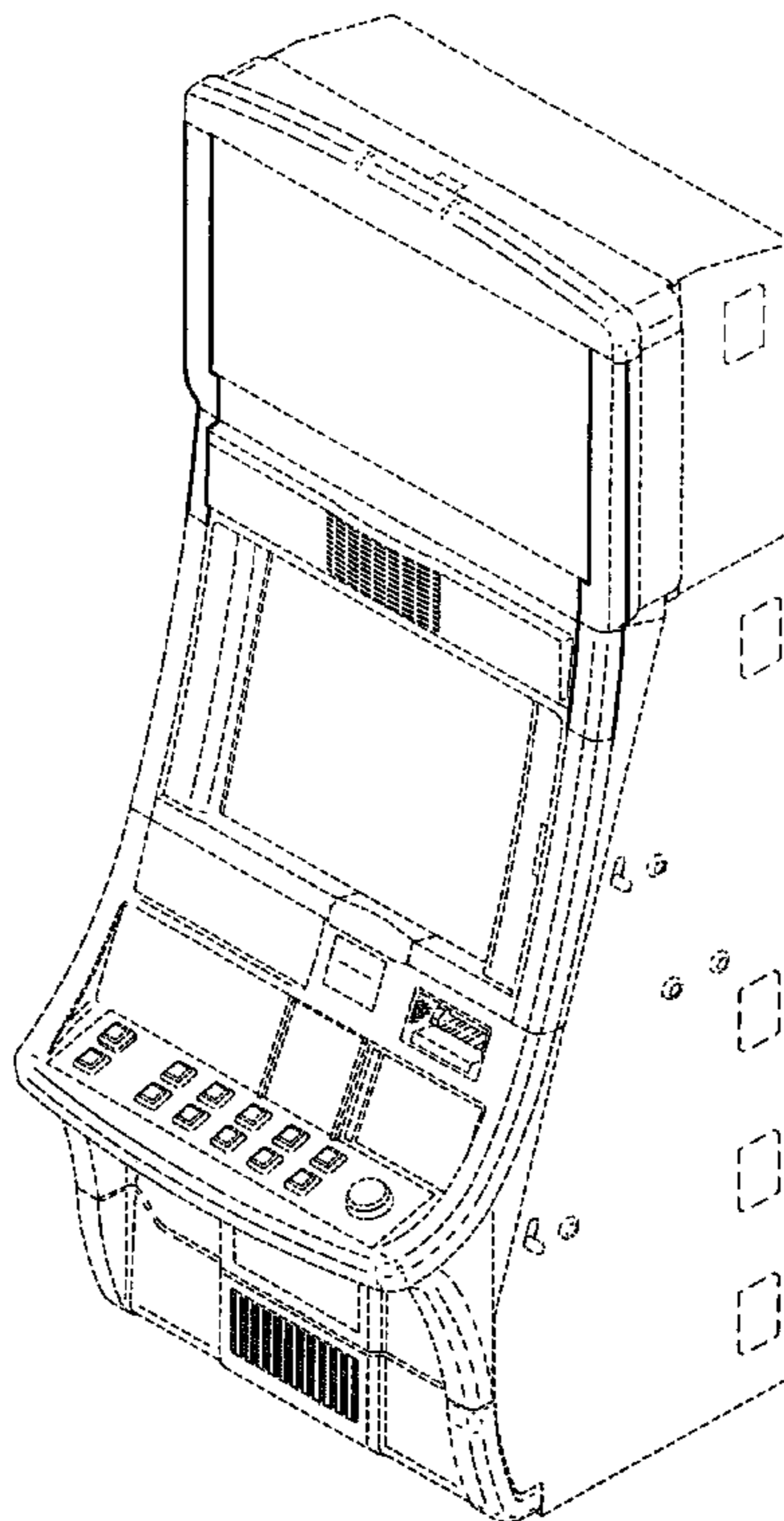
FIG. 3 is a left-side view of the gaming machine shown in FIG. 1.

FIG. 4 is a right-side view of the gaming machine shown in FIG. 1; and,

FIG. 5 is a top view of the gaming machine shown in FIG. 1.

The broken lines shown are for illustrative purposes only and form no part of the claimed design.

1 Claim, 5 Drawing Sheets



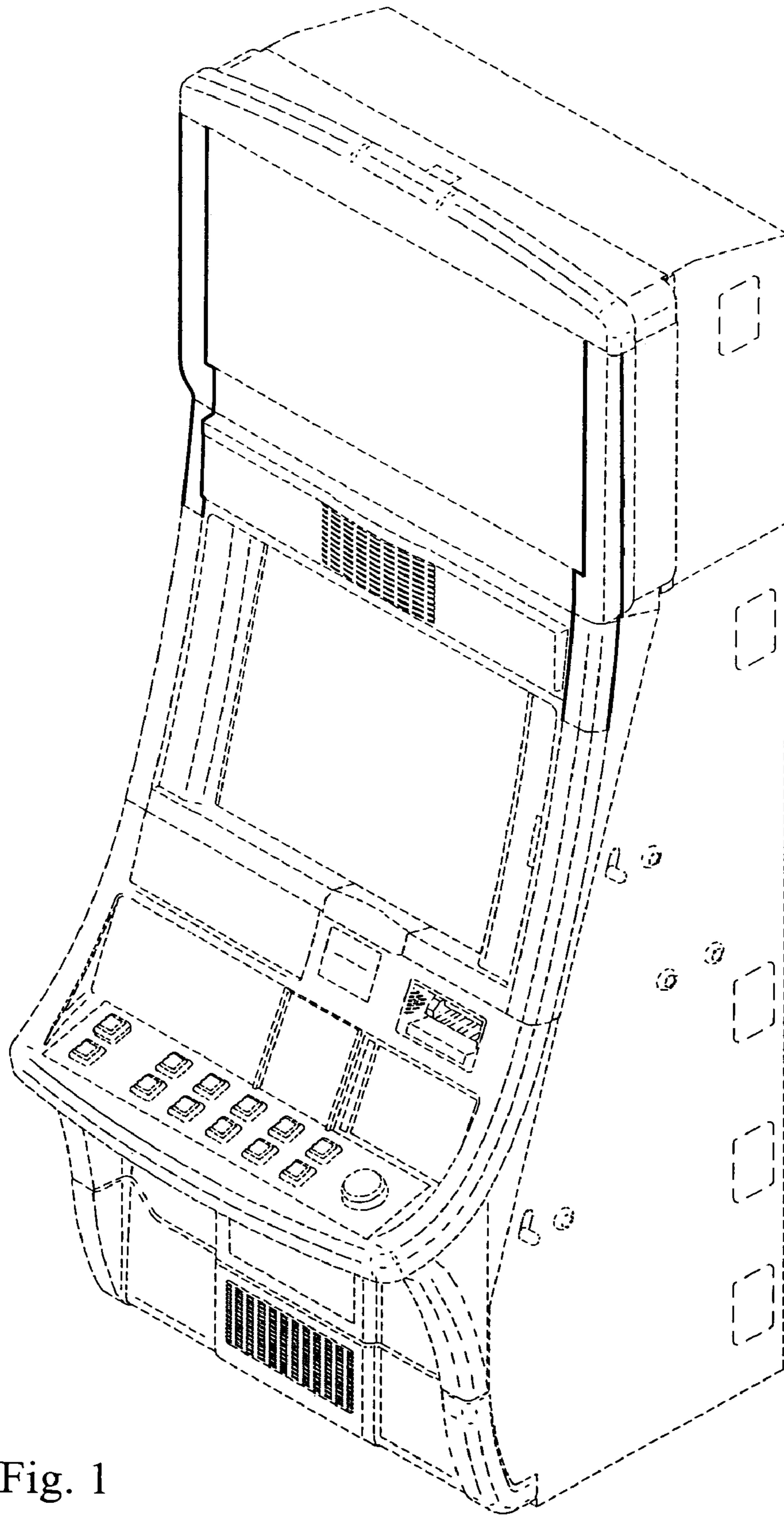


Fig. 1

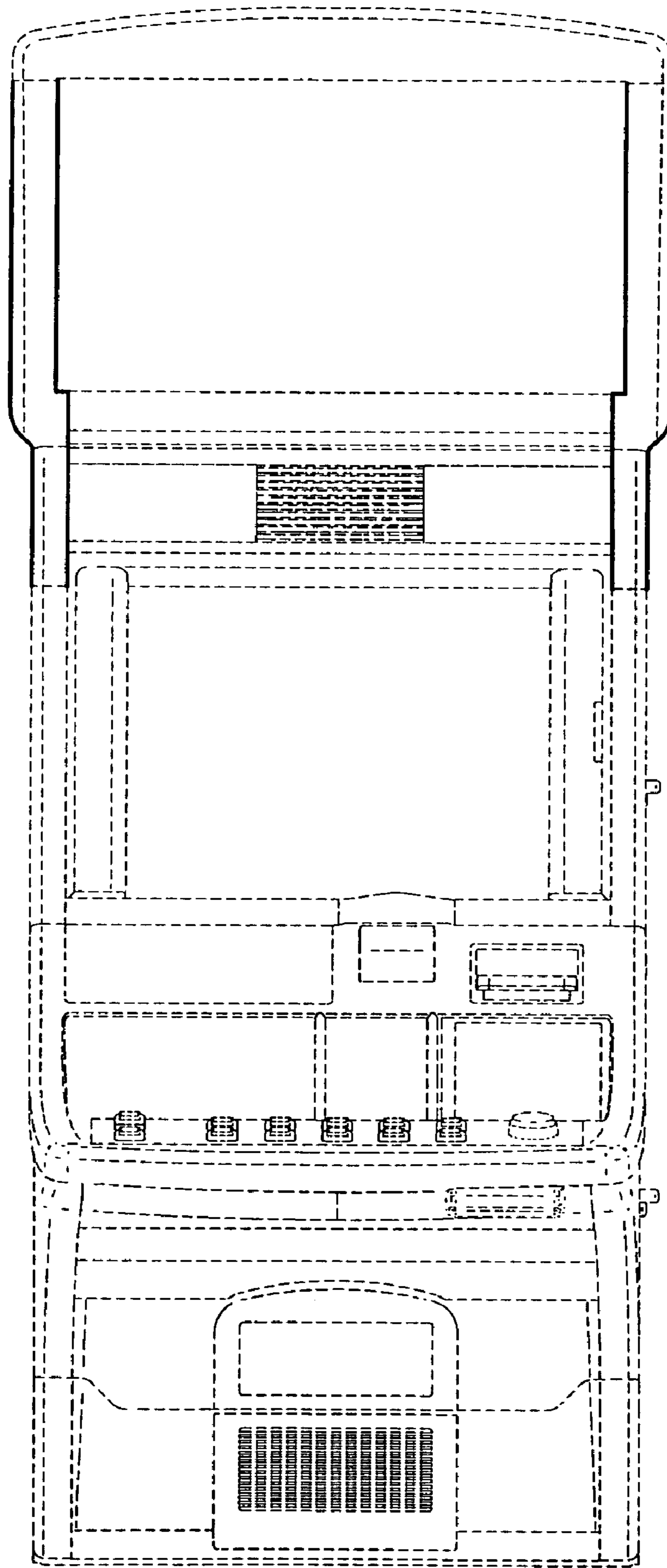


Fig. 2

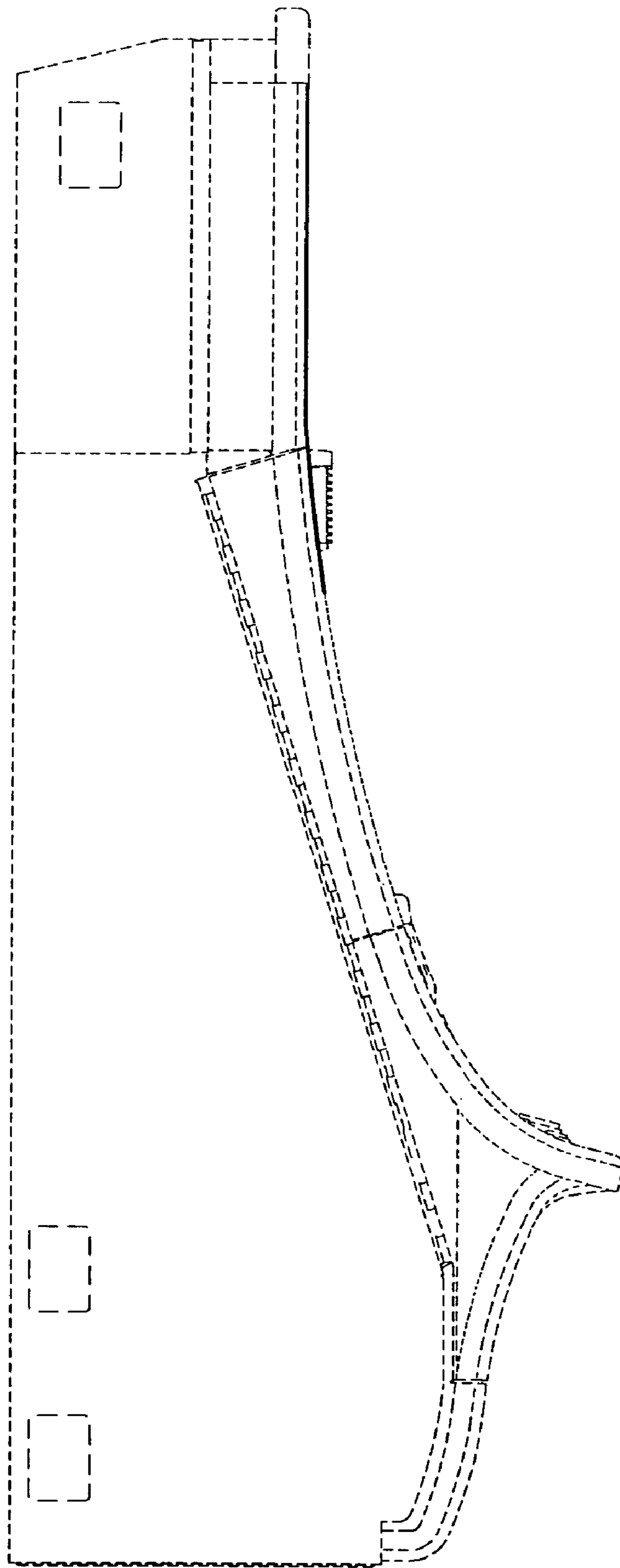


Fig. 3

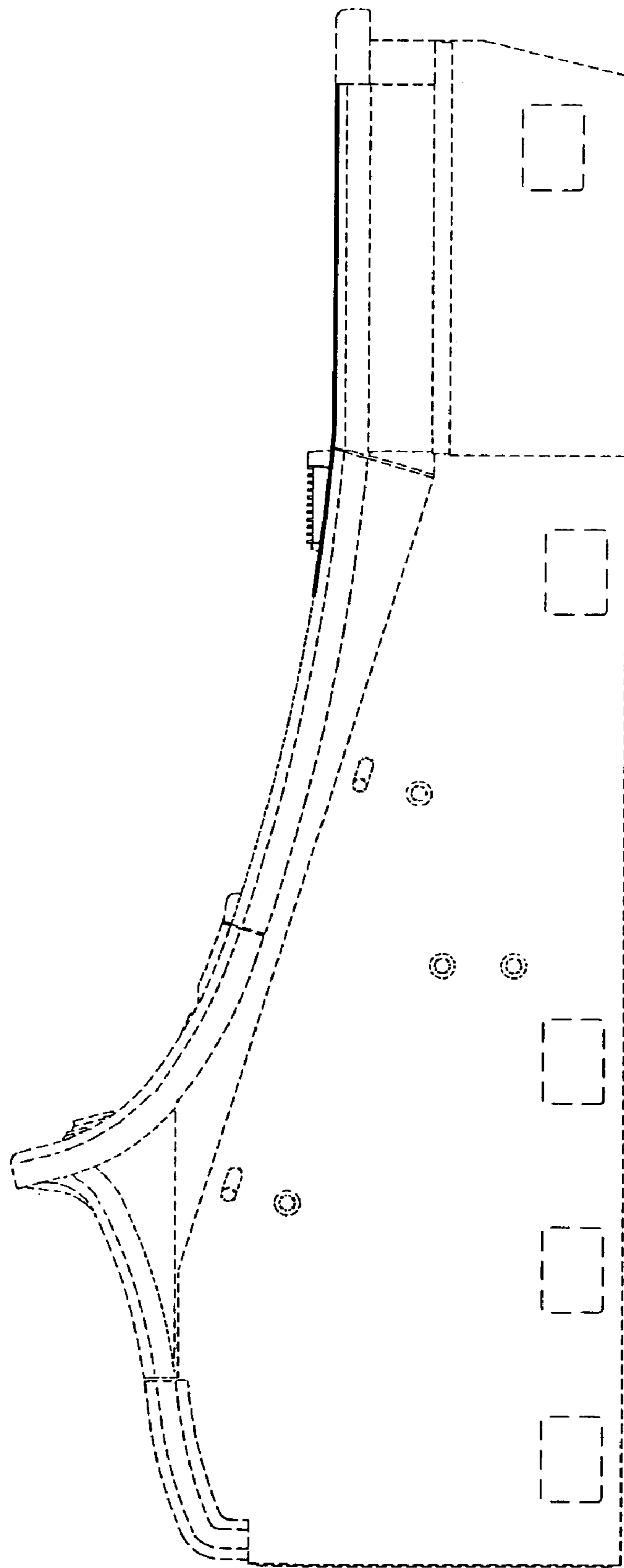


Fig. 4

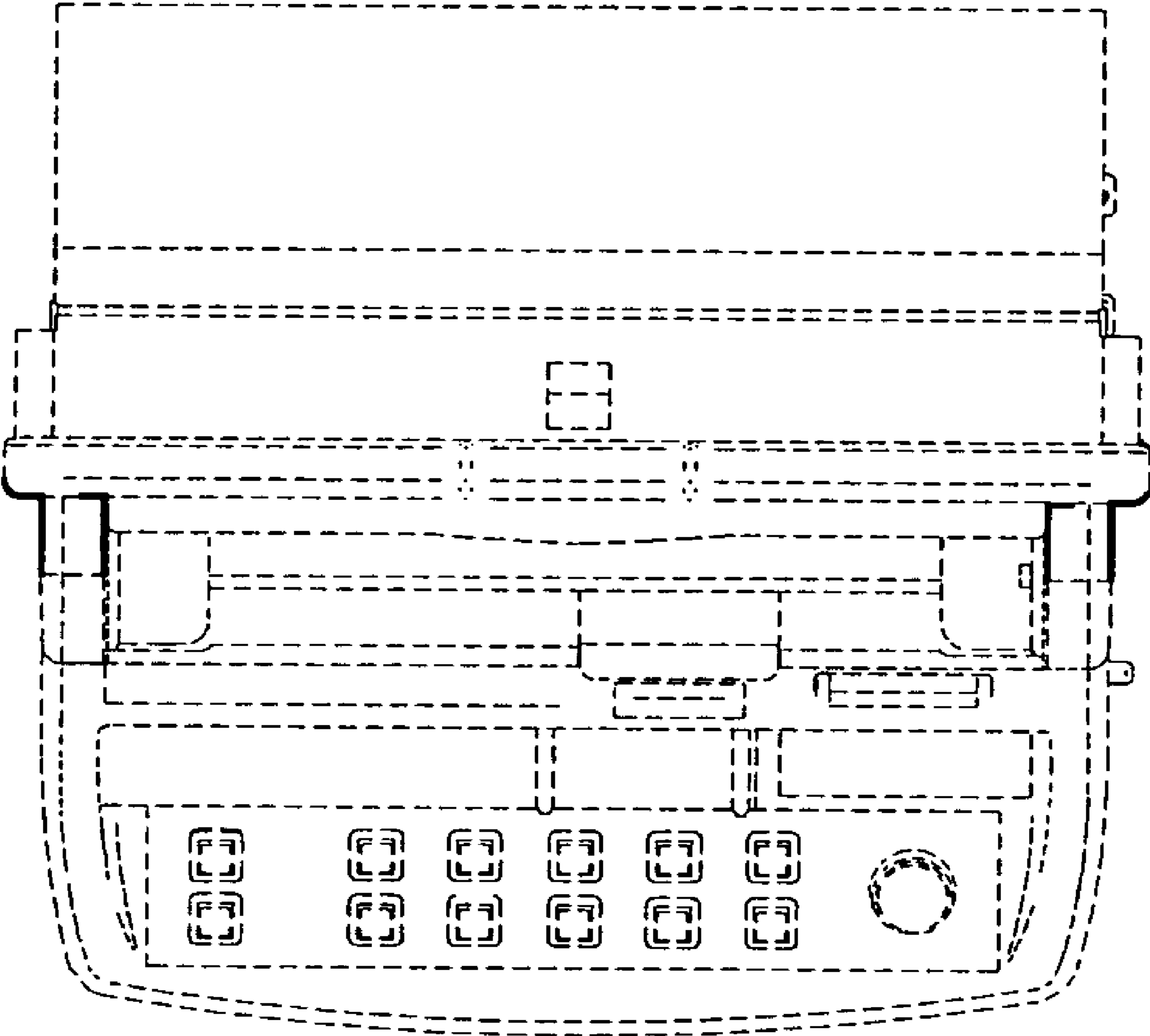


Fig. 5