



US00D564598S

(12) **United States Design Patent** (10) **Patent No.:** **US D564,598 S**
Morrow et al. (45) **Date of Patent:** **** Mar. 18, 2008**

(54) **MOUNTING PLATE AND PORTION OF A
TABLET TOP OF A GAME HOUSING**

(75) Inventors: **James David Morrow**, Oak Park, IL
(US); **Alisa Elaine Kober**, Arlington
Heights, IL (US)

(73) Assignee: **Cosmodog, Ltd.**, Chicago, IL (US)

(**) Term: **14 Years**

(21) Appl. No.: **29/247,669**

(22) Filed: **Jun. 30, 2006**

(51) **LOC (8) Cl.** **21-01**

(52) **U.S. Cl.** **D21/333**; D21/329; D21/369

(58) **Field of Classification Search** D21/324,
D21/329, 369–371, 385, 325; 273/148 R,
273/148 B, 459–461, 138.1; 463/16–20,
463/25, 30–32, 42, 46, 47; D14/496, 307,
D14/373

See application file for complete search history.

(56) **References Cited**

U.S. PATENT DOCUMENTS

4,536,164	A *	8/1985	Klawitter	446/143
D355,446	S *	2/1995	Sahler	D21/329
D411,587	S *	6/1999	Beyer	D21/333
D425,941	S *	5/2000	Miller et al.	D21/324
D429,770	S *	8/2000	Luciano et al.	D21/369
6,358,145	B1 *	3/2002	Wong et al.	463/17
6,848,993	B2 *	2/2005	Webb	463/22
D521,015	S *	5/2006	Hayes et al.	D14/454
7,195,561	B2 *	3/2007	Hussaini et al.	463/31
D550,305	S *	9/2007	Luciano et al.	D21/385

OTHER PUBLICATIONS

“Model 4243, The Philco ‘Holiday’, 1958”, <<http://www.mzstv.com/holiday.html>>, One page, as of at least Jun. 29, 2006.
“Model 4654, The Philco ‘Pedestal’, 1958”, <<http://www.mzstv.com/pedestal.html>>, One page, as of at least Jun. 29, 2006.
“Model 4710, The Philco ‘Penthouse’, 1958”, <<http://www.mzstv.com/tandem.html>>, One page, as of at least Jun. 29, 2006.

“Model 3410, The Philco ‘Princess’, 1959”, <<http://www.mzstv.com/princess.html>>, One page, as of at least Jun. 29, 2006.

“Model 4730, The Philco ‘Continental’, 1960”, <<http://www.mzstv.com/continental.html>>, One page, as of at least Jun. 29, 2006.

“What happened to Philco?”, <<http://www.mzstv.com/philco.html>>, One page, as of at least Jun. 29, 2006.

“Trackball Mounting Kits”, <<http://www.happcontrols.com/trackballs/55110100.htm>>, Two pages, as of at least Jun. 29, 2006.

Brunswick Scorer’s Table: as of at least Jun. 29, 2006.

Bowling Lane Markings: as of at least Jun. 29, 2006.

* cited by examiner

Primary Examiner—Prabhakar Deshmukh

(74) *Attorney, Agent, or Firm*—Banner & Witcoff, Ltd.

(57) **CLAIM**

The ornamental design for a mounting plate and portion of a table top of a game housing, as shown and described.

DESCRIPTION

FIG. 1 is a perspective view of a mounting plate and portion of a table top of a game housing showing our new design;

FIG. 2 is a front view thereof;

FIG. 3 is a left side elevational view thereof;

FIG. 4 is a right side elevational view thereof;

FIG. 5 is a top plan view thereof;

FIG. 6 is an enlarged perspective view of the claimed region shown in FIG. 1;

FIG. 7 is an enlarged front view of the claimed region shown in FIG. 2;

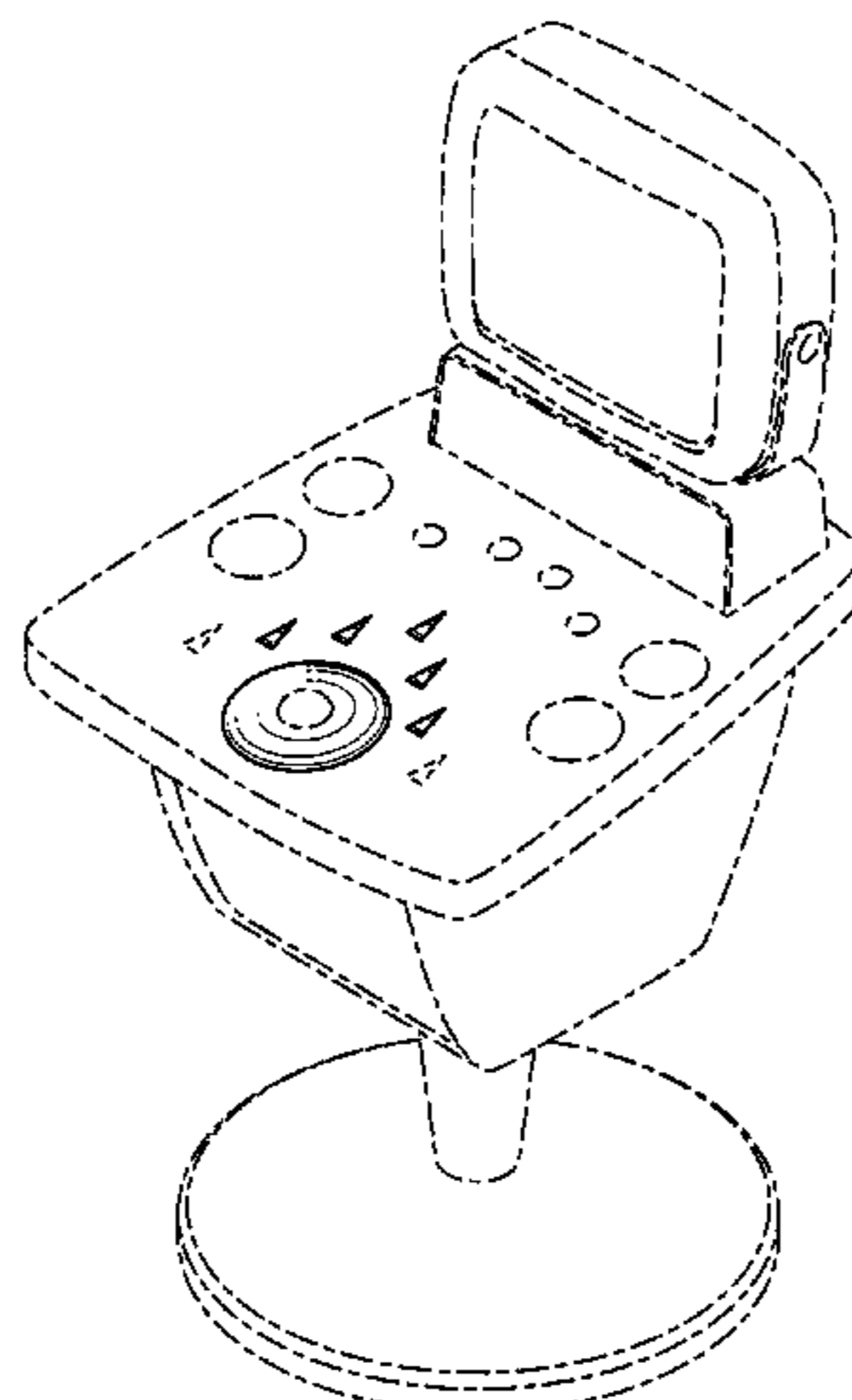
FIG. 8 is an enlarged left side elevational view of the claimed region shown in FIG. 3;

FIG. 9 is an enlarged right side elevational view of the claimed region shown in FIG. 4; and,

FIG. 10 is an enlarged top plan view of the claimed region shown in FIG. 5.

The broken lines, which define the bounds of the claimed design, form no part thereof.

1 Claim, 8 Drawing Sheets



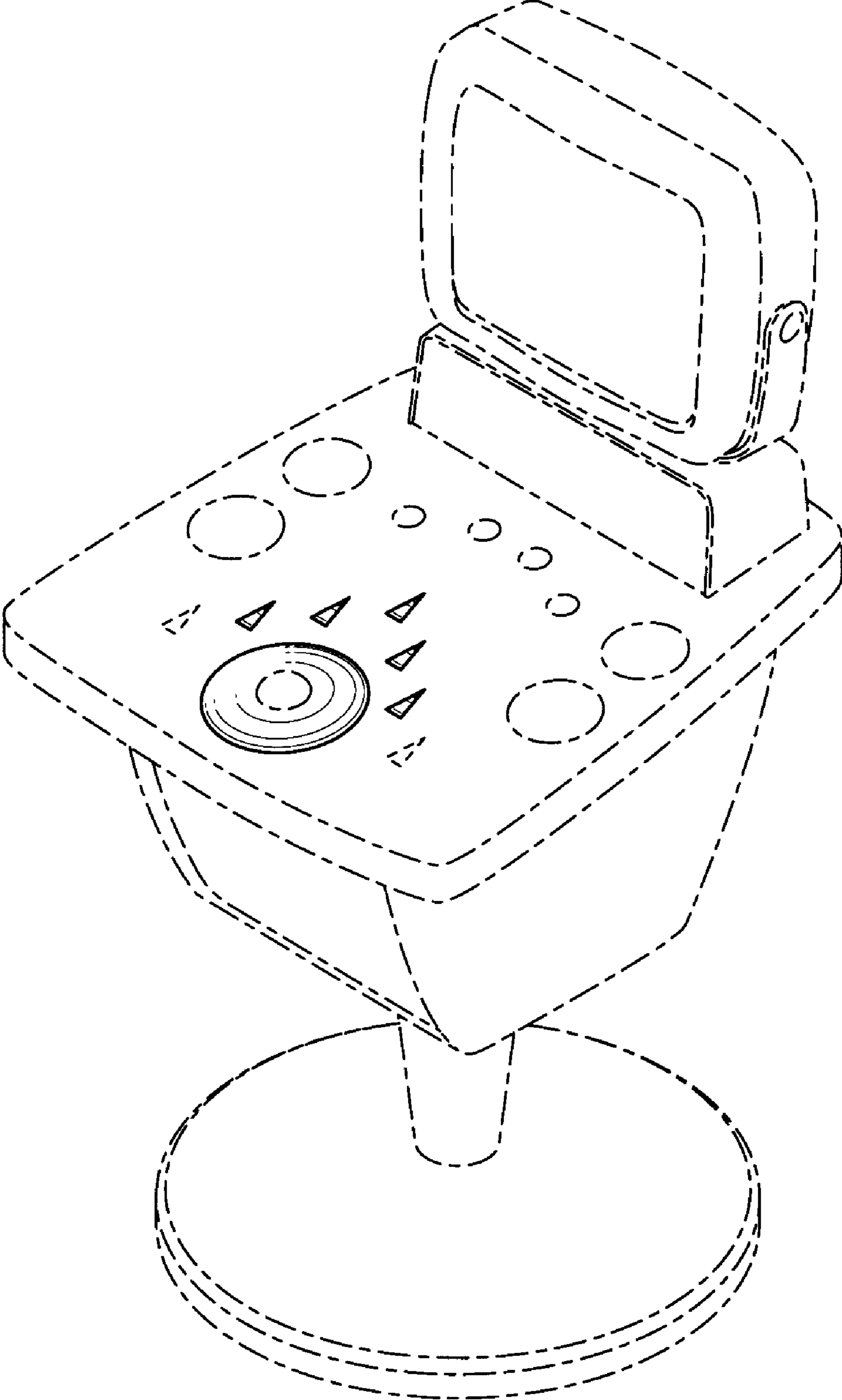


FIG. 1

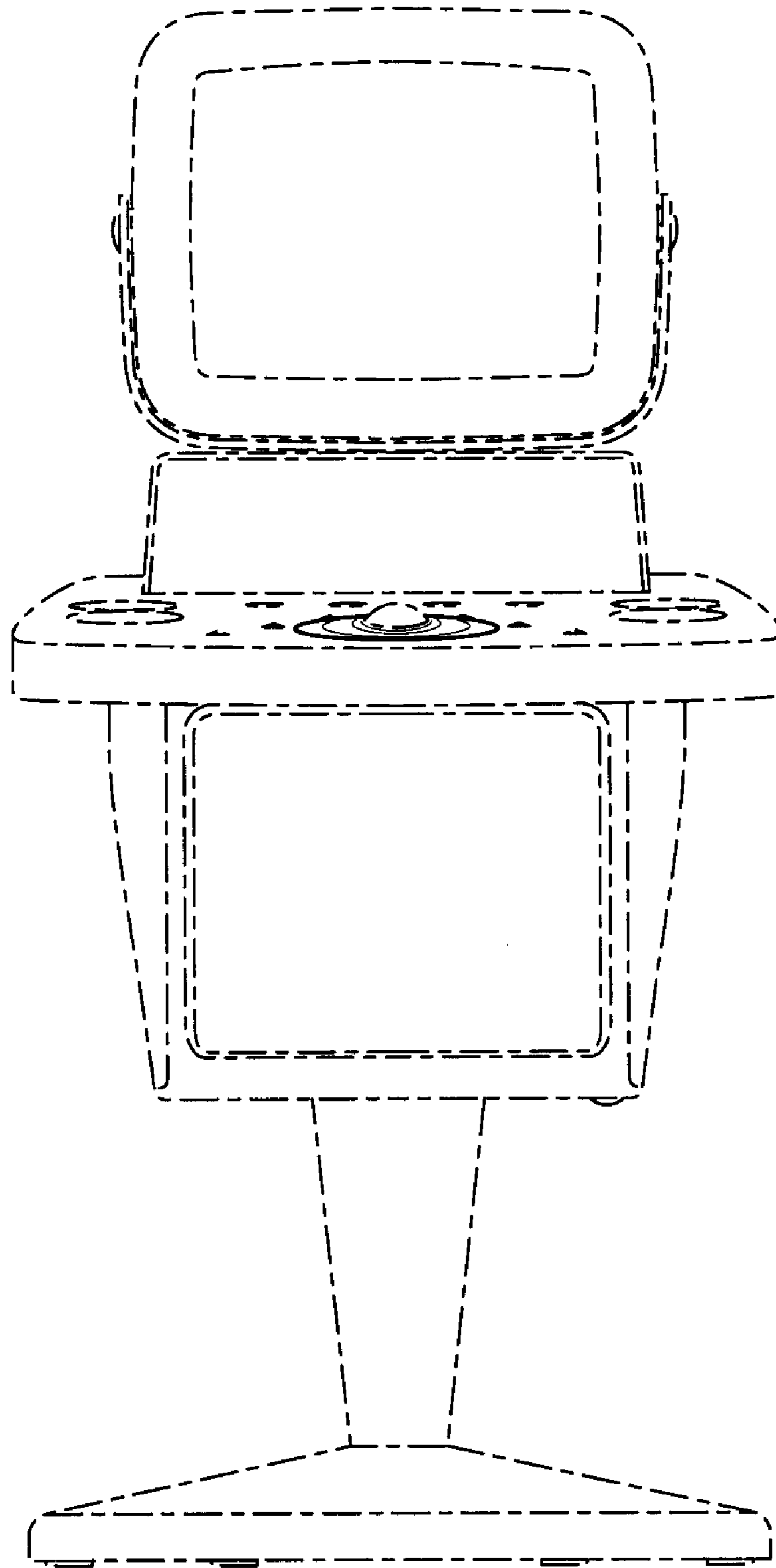


FIG. 2

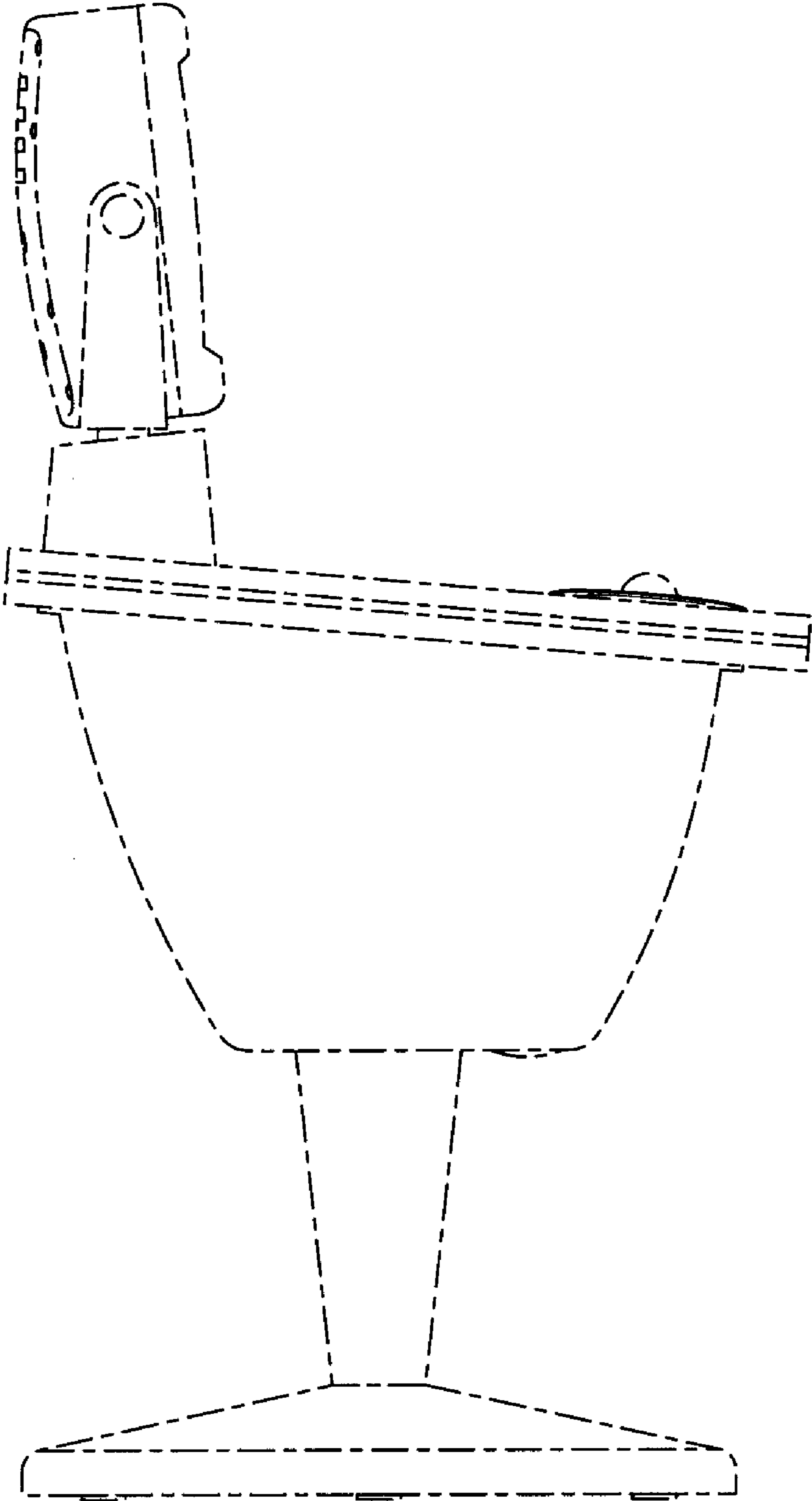


FIG. 3

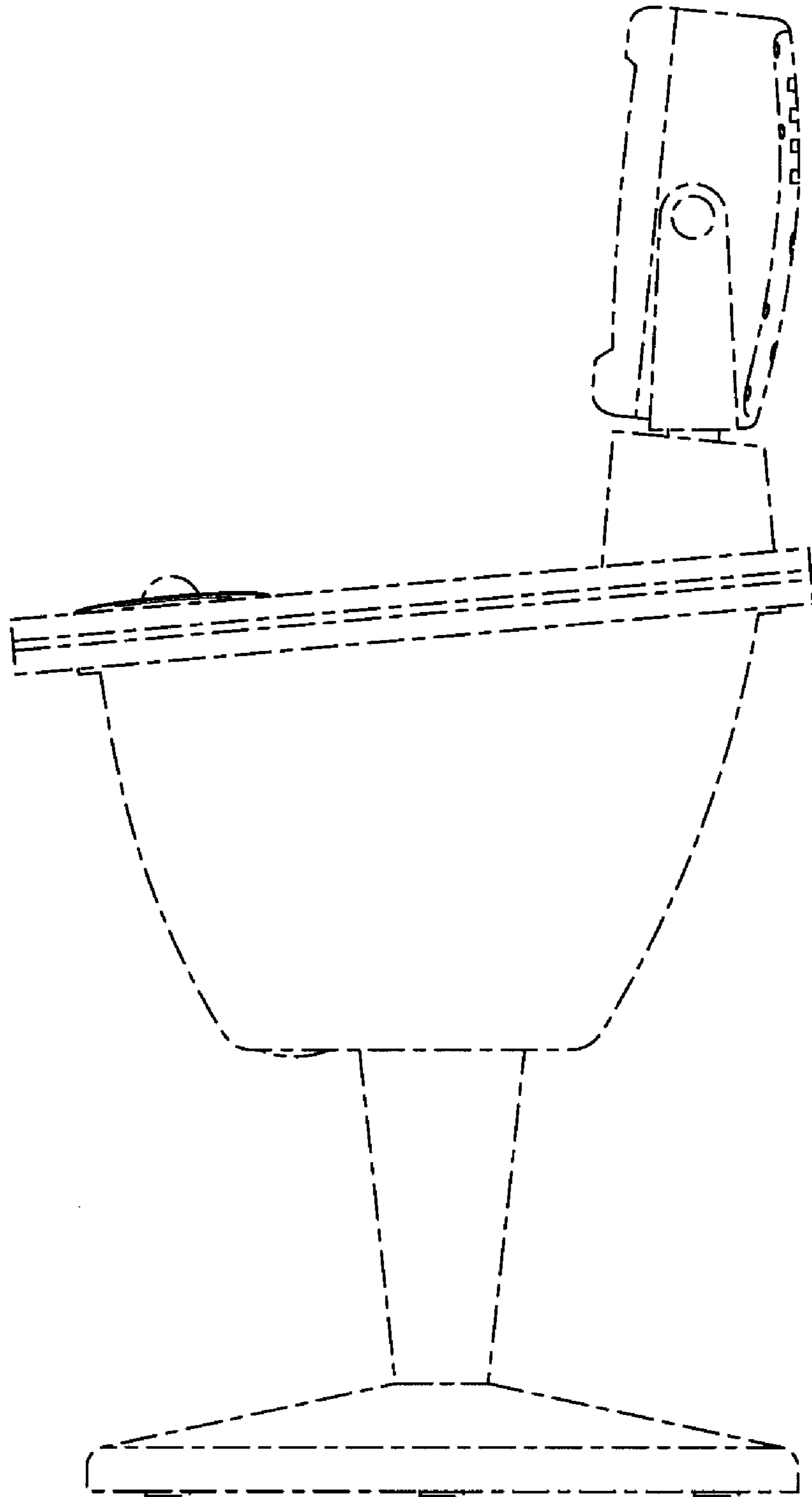


FIG. 4

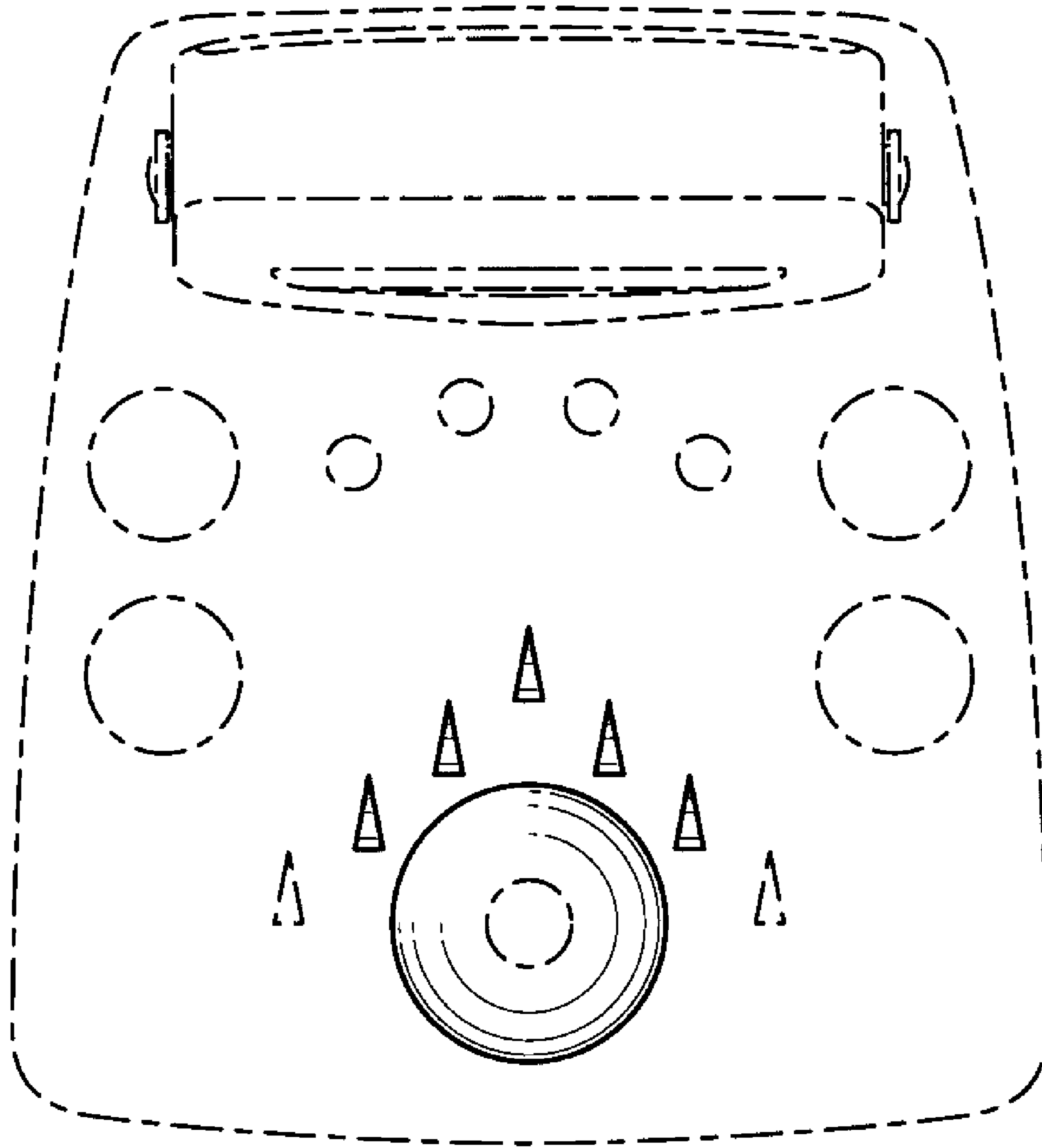


FIG. 5

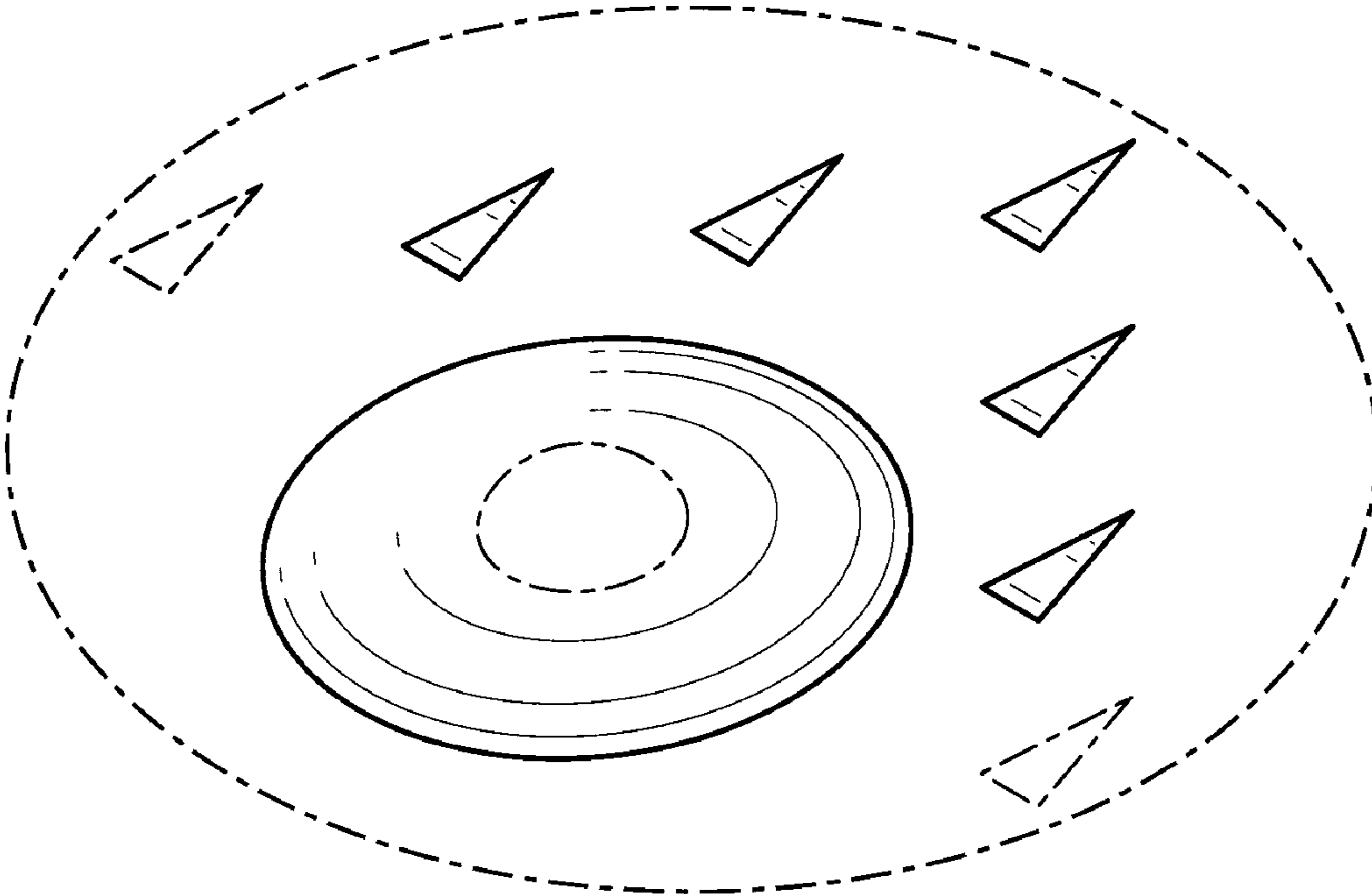


FIG. 6



FIG. 7

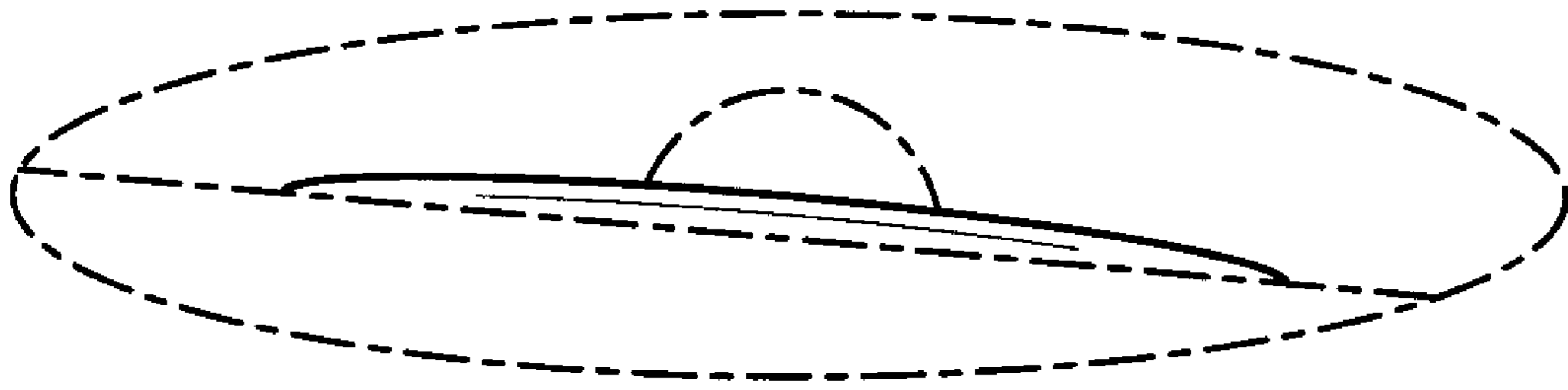


FIG. 8

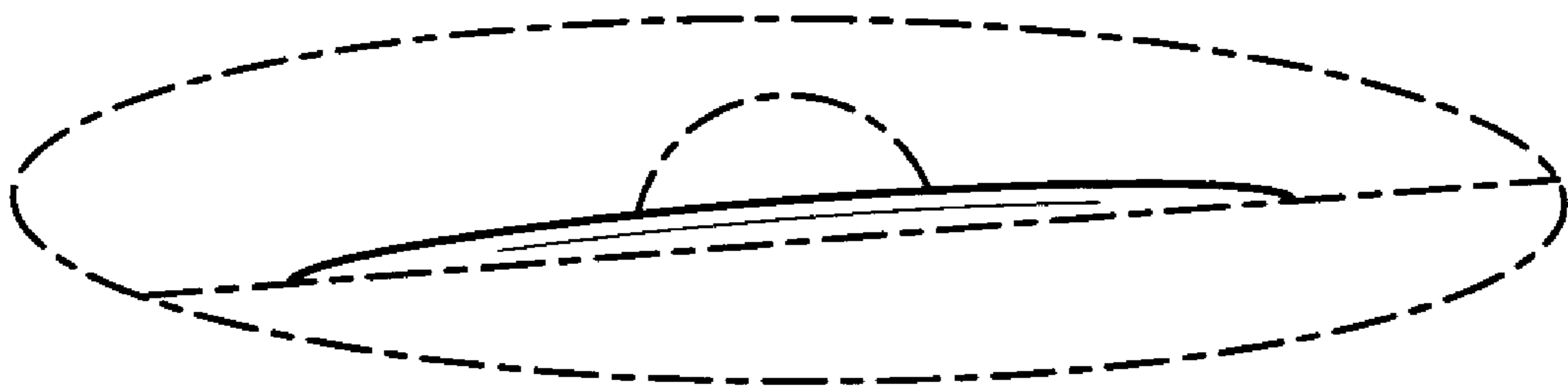


FIG. 9

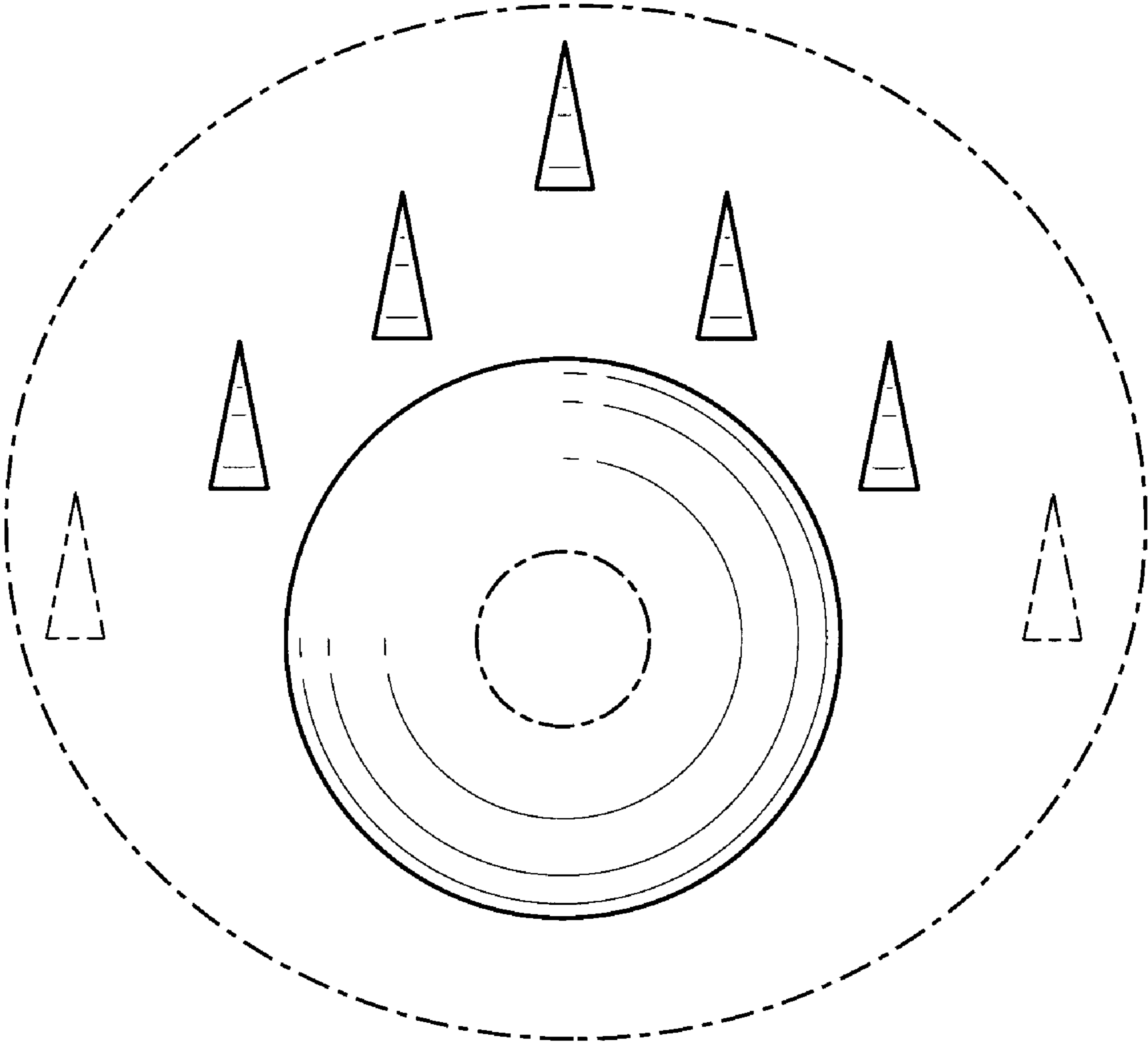


FIG. 10