



US00D564593S

(12) **United States Design Patent**  
**Kent et al.**

(10) **Patent No.:** **US D564,593 S**  
(45) **Date of Patent:** **\*\* Mar. 18, 2008**

(54) **HOLE PUNCH**

(75) Inventors: **Michael Kent**, Cumberland, RI (US);  
**William D. Hester**, Meriden, CT (US);  
**Patrick Thrailkill**, Milton, MA (US)

(73) Assignee: **Staples The Office Superstore, LLC**,  
Framingham, MA (US)

(\*\*) Term: **14 Years**

(21) Appl. No.: **29/285,488**

(22) Filed: **Mar. 30, 2007**

(51) **LOC (8) Cl.** ..... **19-02**

(52) **U.S. Cl.** ..... **D19/72**

(58) **Field of Classification Search** ..... D19/49,  
D19/50, 51, 72, 73; 83/684, 669, 620, 627,  
83/618, 588, 563, 549, 522.19, 468, 449,  
83/467.1, 277, 167; 412/42; 30/364, 363,  
30/358, 233; 234/109; 156/513

See application file for complete search history.

(56) **References Cited**

U.S. PATENT DOCUMENTS

332,666	A	12/1885	Laney	
2,200,672	A	5/1940	Kern	
2,382,523	A	8/1945	Unger	
2,587,749	A *	3/1952	Misson	83/627
3,005,371	A *	10/1961	Misson	83/549
3,492,901	A	2/1970	Smith	
3,714,857	A	2/1973	Stuertz et al.	
3,750,514	A	8/1973	Tanaka	
3,906,633	A	9/1975	Inoue	
3,921,487	A	11/1975	Otsuka et al.	
4,036,088	A	7/1977	Ruskin	
4,166,404	A	9/1979	Almog	
4,210,048	A	7/1980	Cohler et al.	
4,421,000	A	12/1983	Murphy	

(Continued)

FOREIGN PATENT DOCUMENTS

DE 2017749 10/1971

(Continued)

OTHER PUBLICATIONS

International Searching Authority "Invitation to Pay Additional Fees and Partial International Search Report" PCT Apln. No. US2007/007922 mailed Sep. 25, 2007.

*Primary Examiner*—Cathron C. Brooks

*Assistant Examiner*—Austin Murphy

(74) *Attorney, Agent, or Firm*—Wolf Greenfield & Sacks

(57) **CLAIM**

The ornamental design for a hole punch, as shown and described.

**DESCRIPTION**

FIG. 1 is a top, front and right side perspective view of one embodiment of the hole punch;

FIG. 2 is a front elevational view of the embodiment of FIG. 1;

FIG. 3 is a rear elevational view of the embodiment of FIG. 1;

FIG. 4 is a left side elevational view of the embodiment of FIG. 1;

FIG. 5 is a right side elevational view of the embodiment of FIG. 1;

FIG. 6 is a top plan view of the embodiment of FIG. 1;

FIG. 7 is a bottom plan view of the embodiment of FIG. 1;

FIG. 8 is a front elevational view of another embodiment of the hole punch;

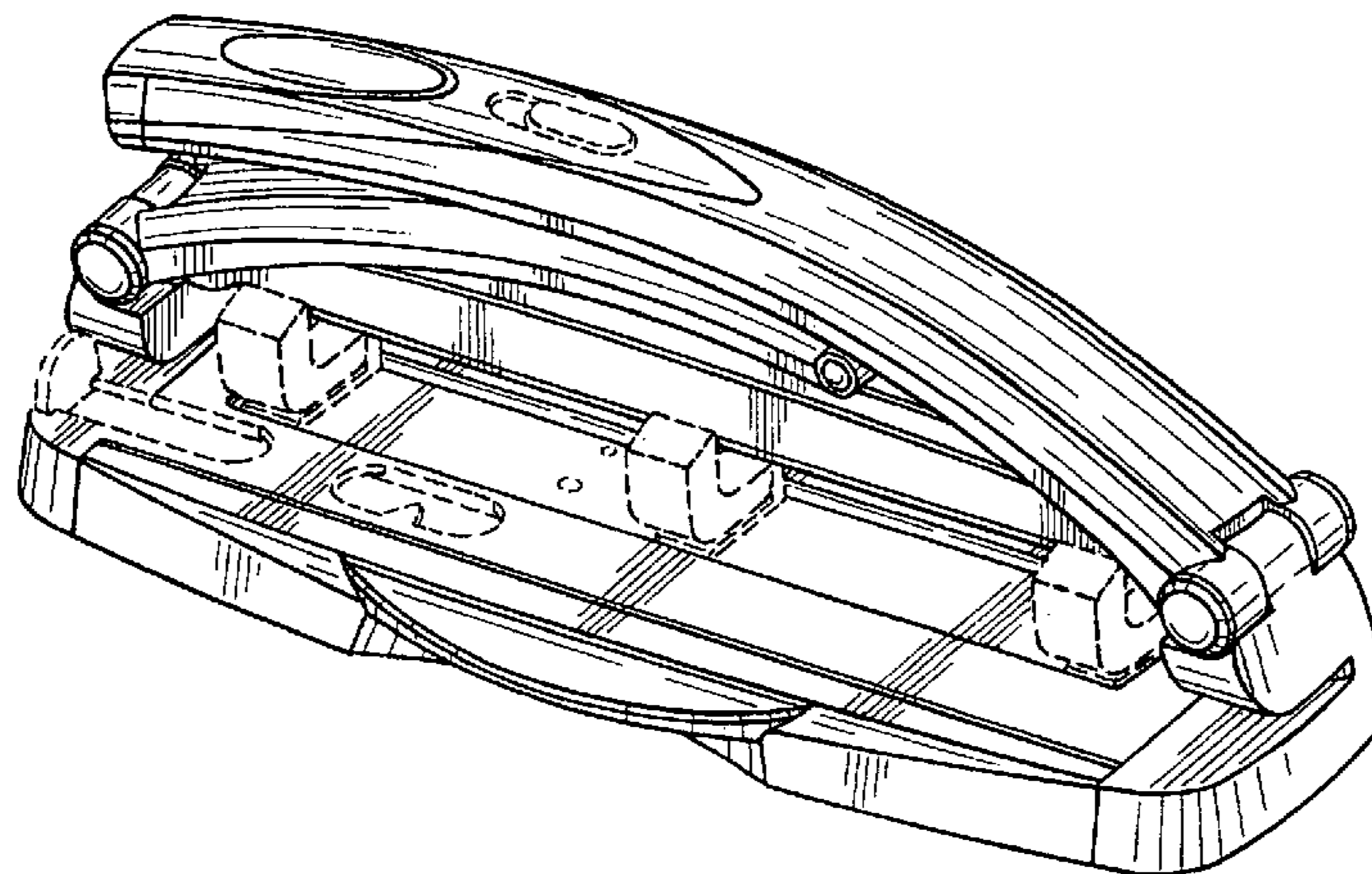
FIG. 9 is a rear elevational view of the embodiment of FIG. 8;

FIG. 10 is a left side elevational view of the embodiment of FIG. 8; and,

FIG. 11 is a right side elevational view of the embodiment of FIG. 8.

The broken lines are for illustrative purposes only and form no part of the claimed design.

**1 Claim, 3 Drawing Sheets**



# US D564,593 S

## U.S. PATENT DOCUMENTS

4,466,322	A	8/1984	Mori	
4,499,805	A	2/1985	Mori	
4,509,396	A	4/1985	Schall et al.	
4,688,457	A	8/1987	Neilsen et al.	
4,700,601	A	10/1987	Simon	
4,713,995	A	12/1987	Davi	
4,763,552	A	8/1988	Wagner	
4,823,661	A	4/1989	Freres	
4,829,867	A	5/1989	Neilsen	
4,833,958	A	5/1989	Abildgaard et al.	
4,898,055	A	2/1990	Neilsen	
4,949,449	A	8/1990	Wilson	
4,987,683	A	1/1991	Brych	
5,007,782	A	4/1991	Groswith, III et al.	
5,040,441	A	8/1991	Tamura	
5,044,239	A	9/1991	Endo et al.	
D320,407	S	10/1991	Lathrop, Jr. et al.	
D330,049	S *	10/1992	Lathrop et al.	D19/72
5,162,250	A	11/1992	Clark	
5,163,350	A	11/1992	Groswith, III et al.	
5,247,863	A	9/1993	Cohen	
5,273,387	A	12/1993	Groswith, III et al.	
5,291,813	A	3/1994	Blumenthal et al.	
D350,564	S *	9/1994	Goodin	D19/72
5,386,638	A	2/1995	Weber	
5,409,319	A	4/1995	Bedol	
D361,786	S *	8/1995	Yang	D19/72
5,501,128	A	3/1996	D'Amore	
5,575,188	A	11/1996	Hu	
5,584,124	A	12/1996	Marthaler et al.	
5,601,006	A	2/1997	Quinn et al.	
5,611,254	A	3/1997	Rall	
D379,475	S	5/1997	Mangler	
5,632,188	A *	5/1997	Karlis	83/167
5,730,038	A	3/1998	Evans et al.	
5,740,712	A	4/1998	Watkins et al.	
5,778,750	A	7/1998	Drzewiecki et al.	
5,787,783	A	8/1998	Evans et al.	
5,797,308	A	8/1998	Evans et al.	
5,829,334	A	11/1998	Evans et al.	
5,832,798	A	11/1998	Schneider et al.	
5,894,778	A	4/1999	Mori	
6,032,566	A	3/2000	Evans et al.	
6,079,924	A	6/2000	Chiang	
6,109,155	A	8/2000	Huang	
6,119,555	A	9/2000	DiMaria	
D445,832	S *	7/2001	Chan	D19/72

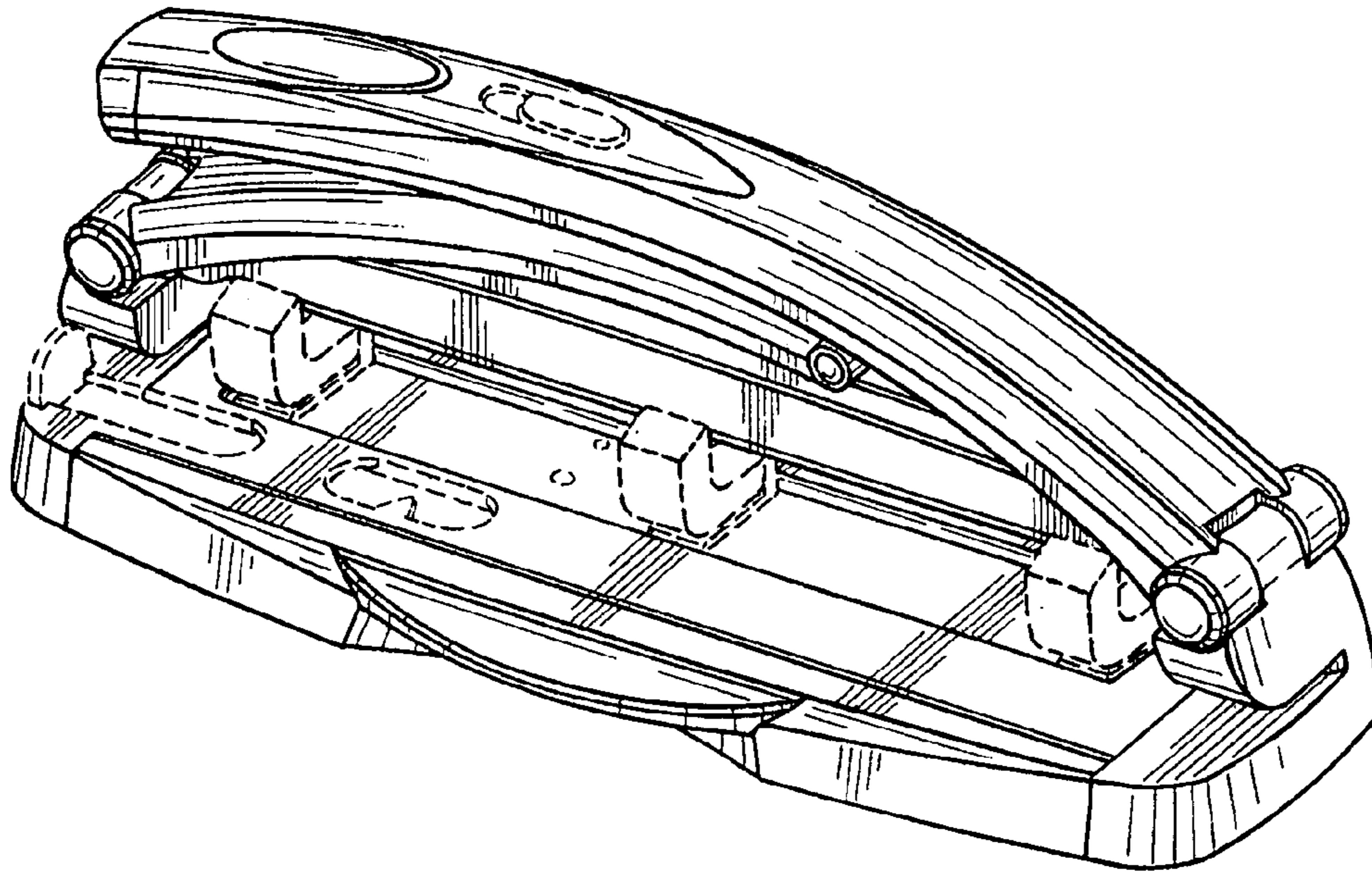
6,439,093	B1	8/2002	Davies	
D468,360	S *	1/2003	Chen	D19/72
D468,772	S *	1/2003	Robillard	D19/72
6,516,523	B1	2/2003	Lin	
D477,846	S *	7/2003	Racamier	D19/72
6,655,250	B1	12/2003	Ishii et al.	
6,688,199	B2	2/2004	Godston et al.	
D489,763	S *	5/2004	Chen	D19/72
D506,784	S *	6/2005	Bodum	D19/72
6,983,877	B2	1/2006	Ko	
7,032,490	B2	4/2006	Lee	
7,036,416	B2	5/2006	Whiteman et al.	
D541,867	S *	5/2007	Kent et al.	D19/72
D542,848	S *	5/2007	Kent et al.	D19/72
D543,243	S *	5/2007	Holliday	D19/72
7,225,659	B2	6/2007	Tomita	
2002/0066350	A1	6/2002	Chiang	
2002/0157517	A1	10/2002	Huang	
2003/0024361	A1	2/2003	Kikuchi	
2003/0121384	A1	7/2003	Lin	
2004/0069110	A1	4/2004	Godston et al.	
2004/0237748	A1	12/2004	Potthoff et al.	
2004/0244553	A1 *	12/2004	Rodriguez	83/563
2004/0244554	A1 *	12/2004	Rodriguez	83/563
2005/0056133	A1	3/2005	Huang	
2005/0081695	A1	4/2005	Lee	
2005/0105982	A1	5/2005	Case	
2006/0048559	A1	3/2006	Huang	
2006/0144206	A1 *	7/2006	Lee	83/684
2007/0044618	A1	3/2007	Marks	
2007/0044623	A1	3/2007	Marks	
2007/0044624	A1	3/2007	Marks	

## FOREIGN PATENT DOCUMENTS

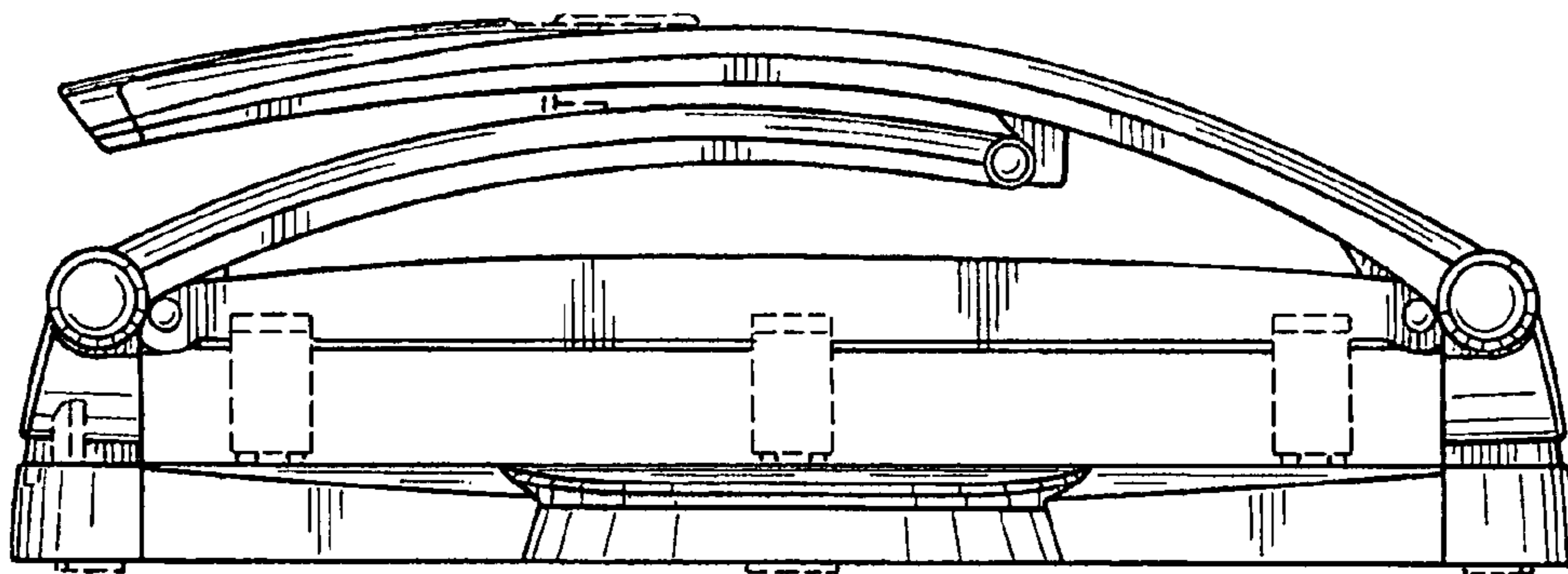
DE	10051625	A1	5/2002
EP	0908327	A2	4/1999
EP	1332845	A2	8/2003
EP	1332848	A2	8/2003
EP	1332849	A2	8/2003
EP	1336458	A2	8/2003
FR	686959		8/1930
GB	134728		11/1919
GB	631930		11/1949
GB	740305		11/1955
GB	783248		9/1957
GB	2202178		9/1988

\* cited by examiner

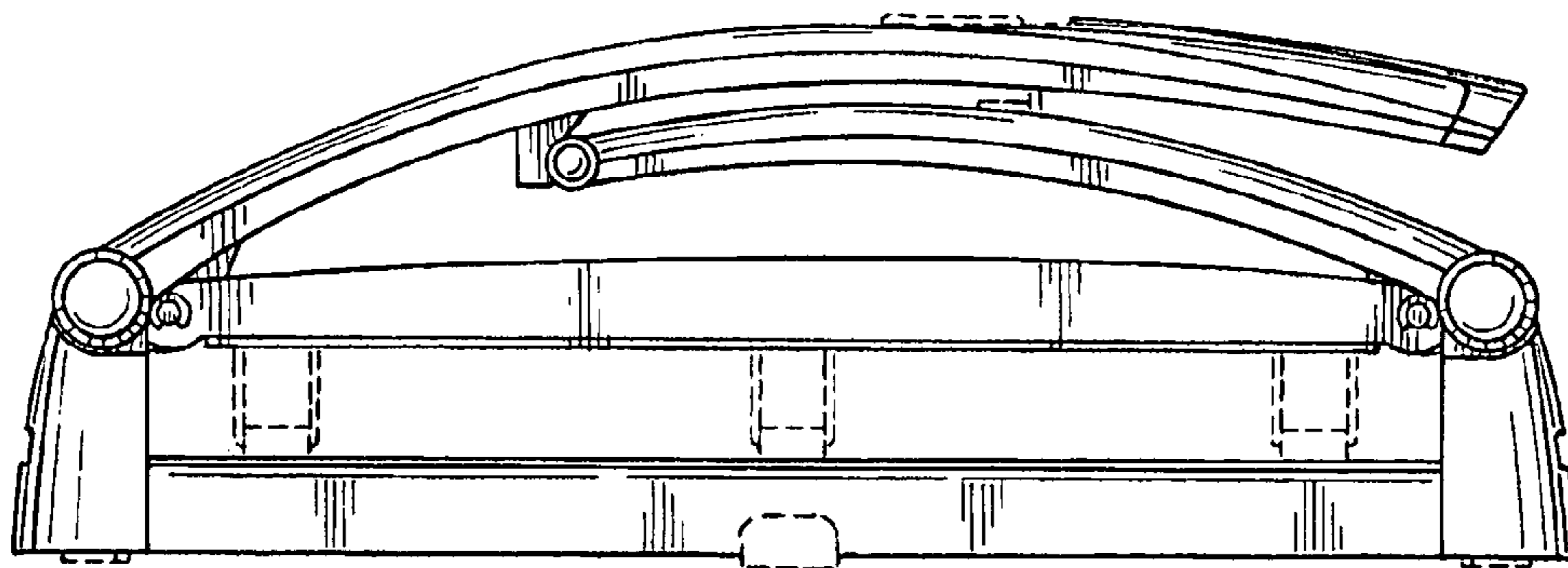




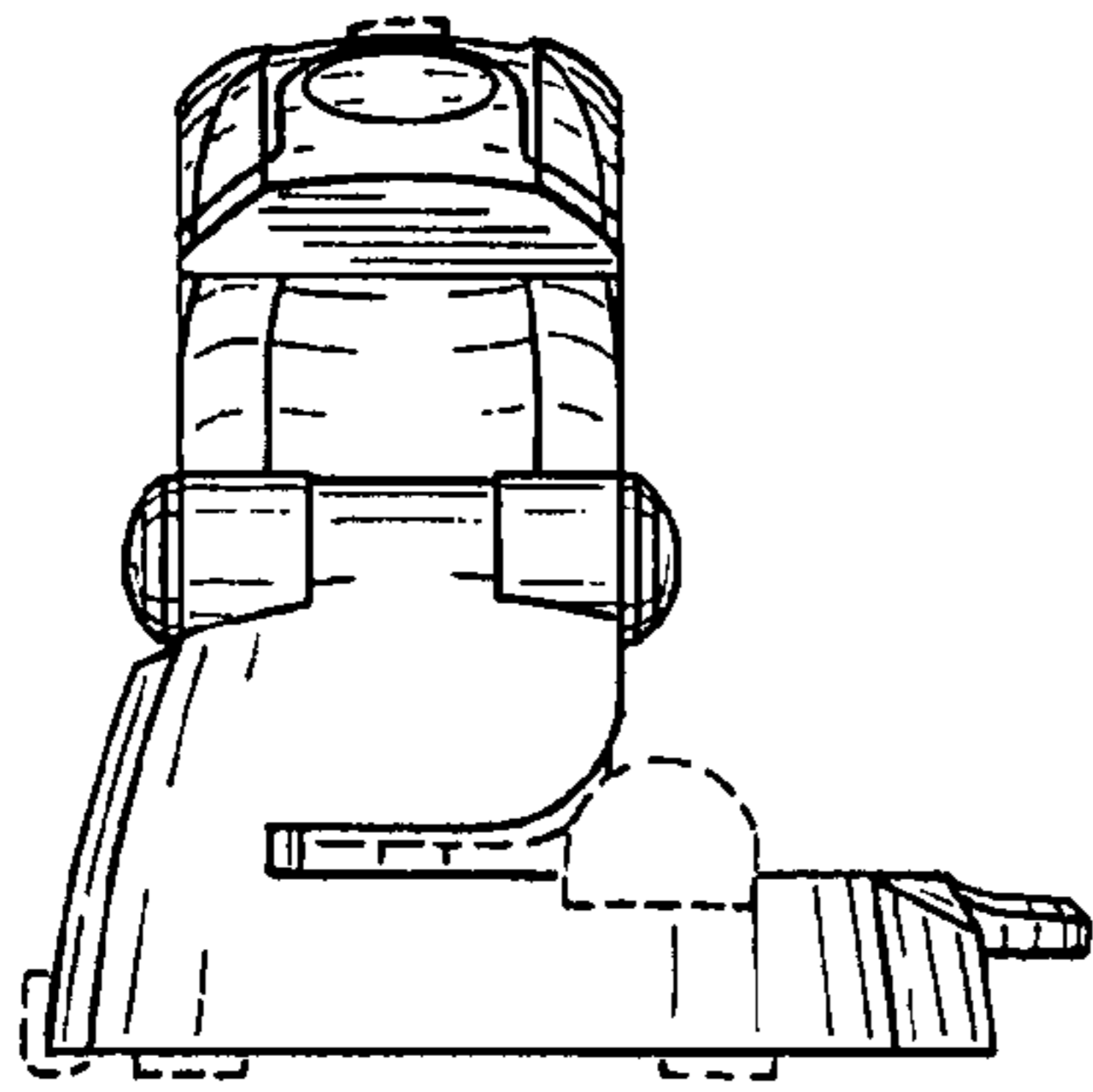
*Fig. 1*



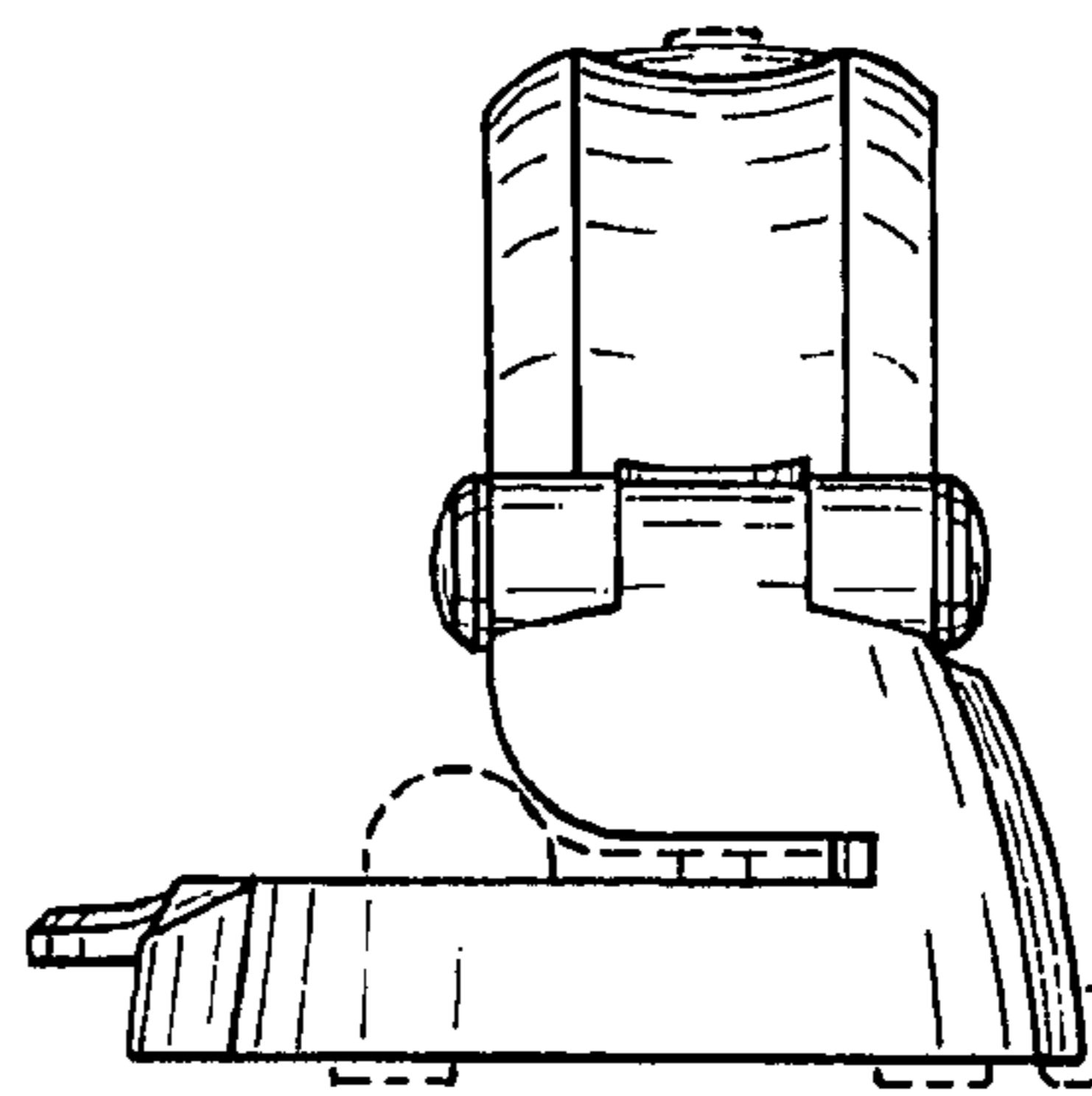
*Fig. 2*



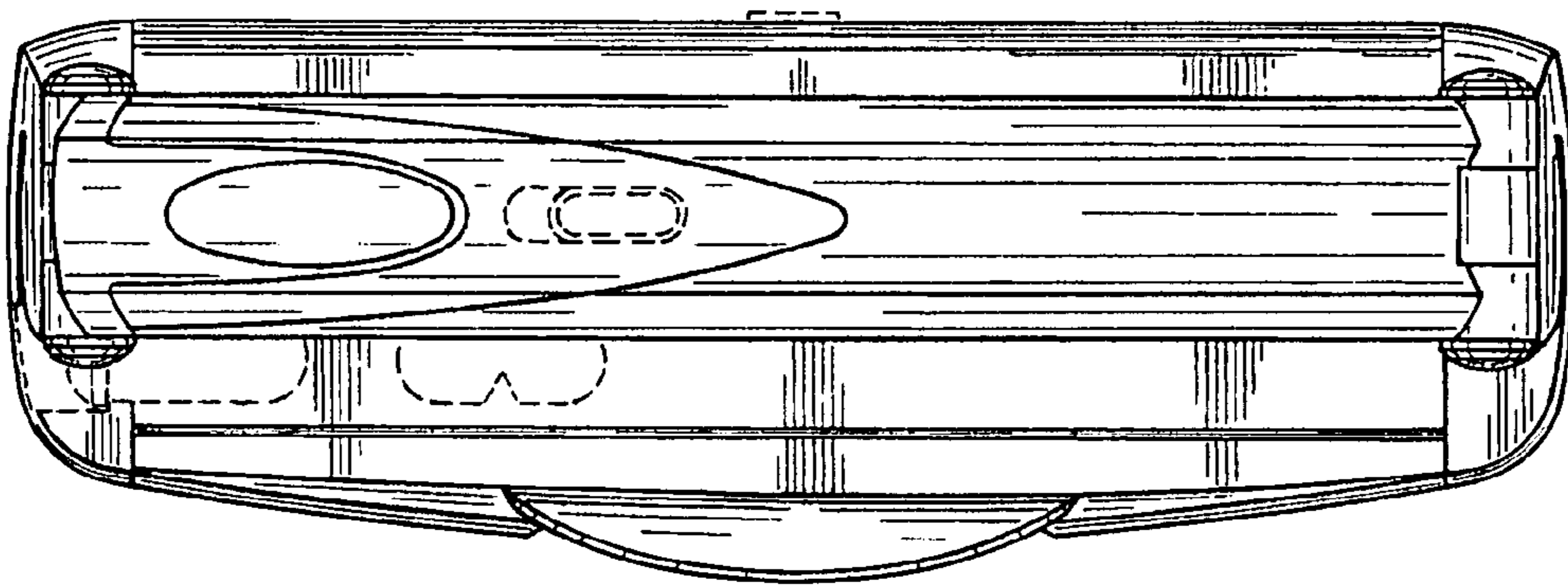
*Fig. 3*



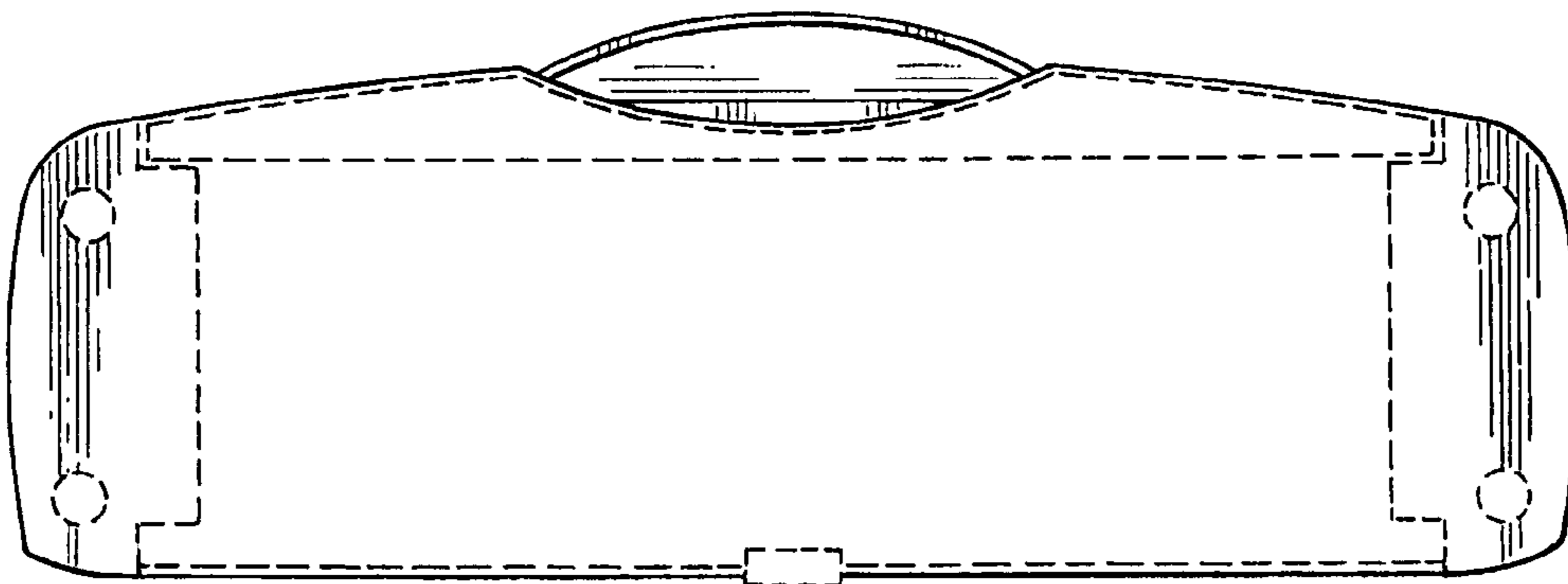
*Fig. 4*



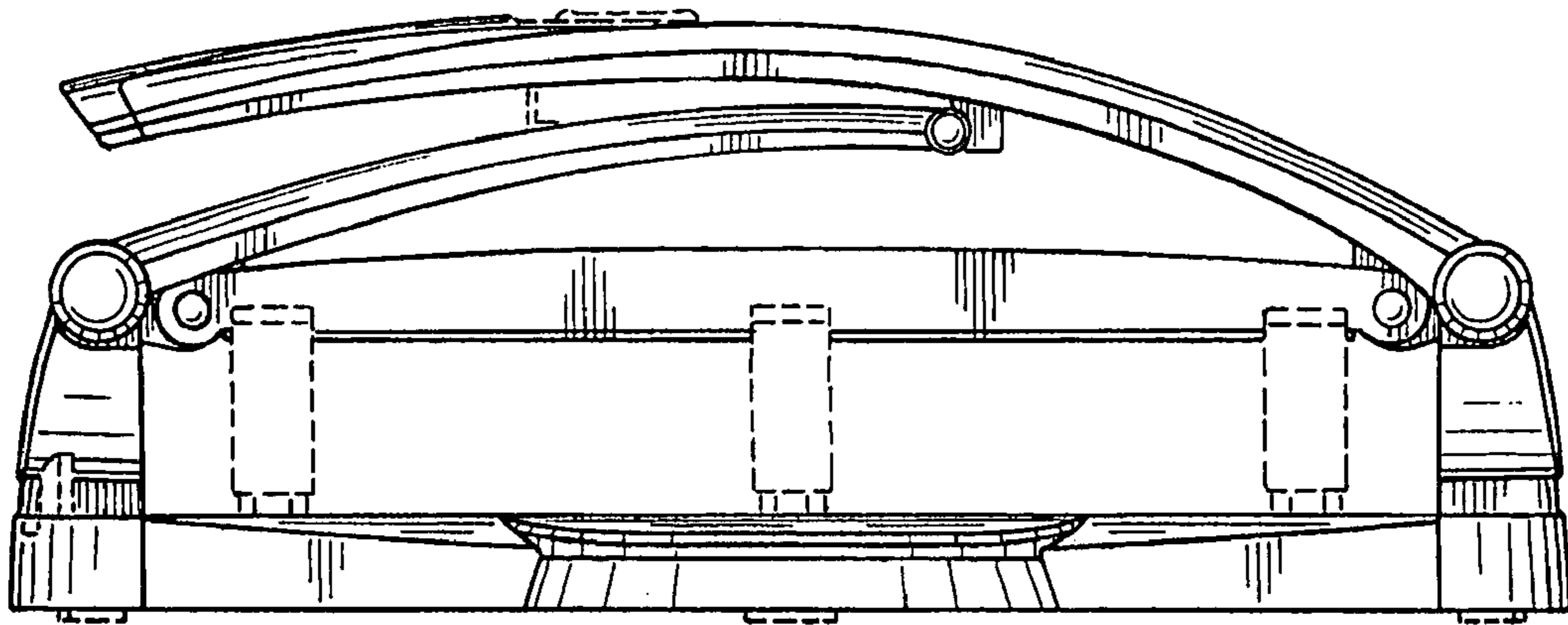
*Fig. 5*



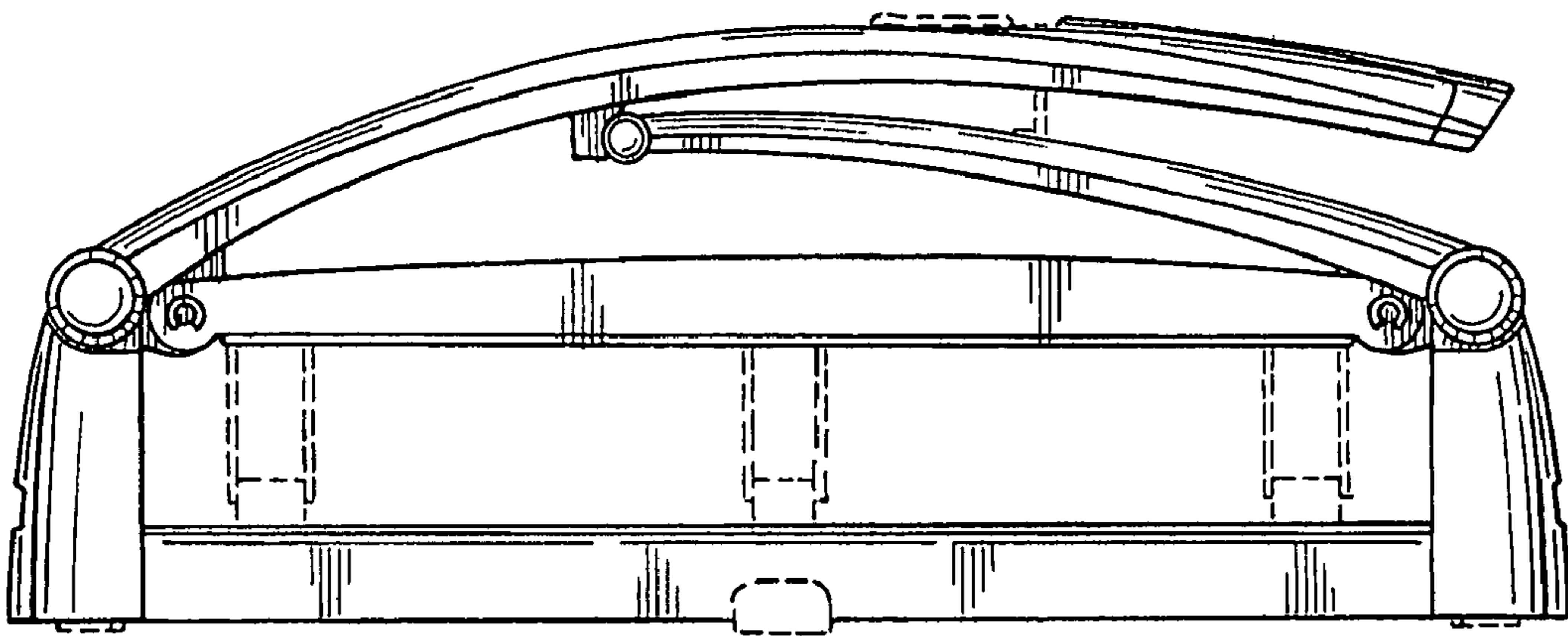
*Fig. 6*



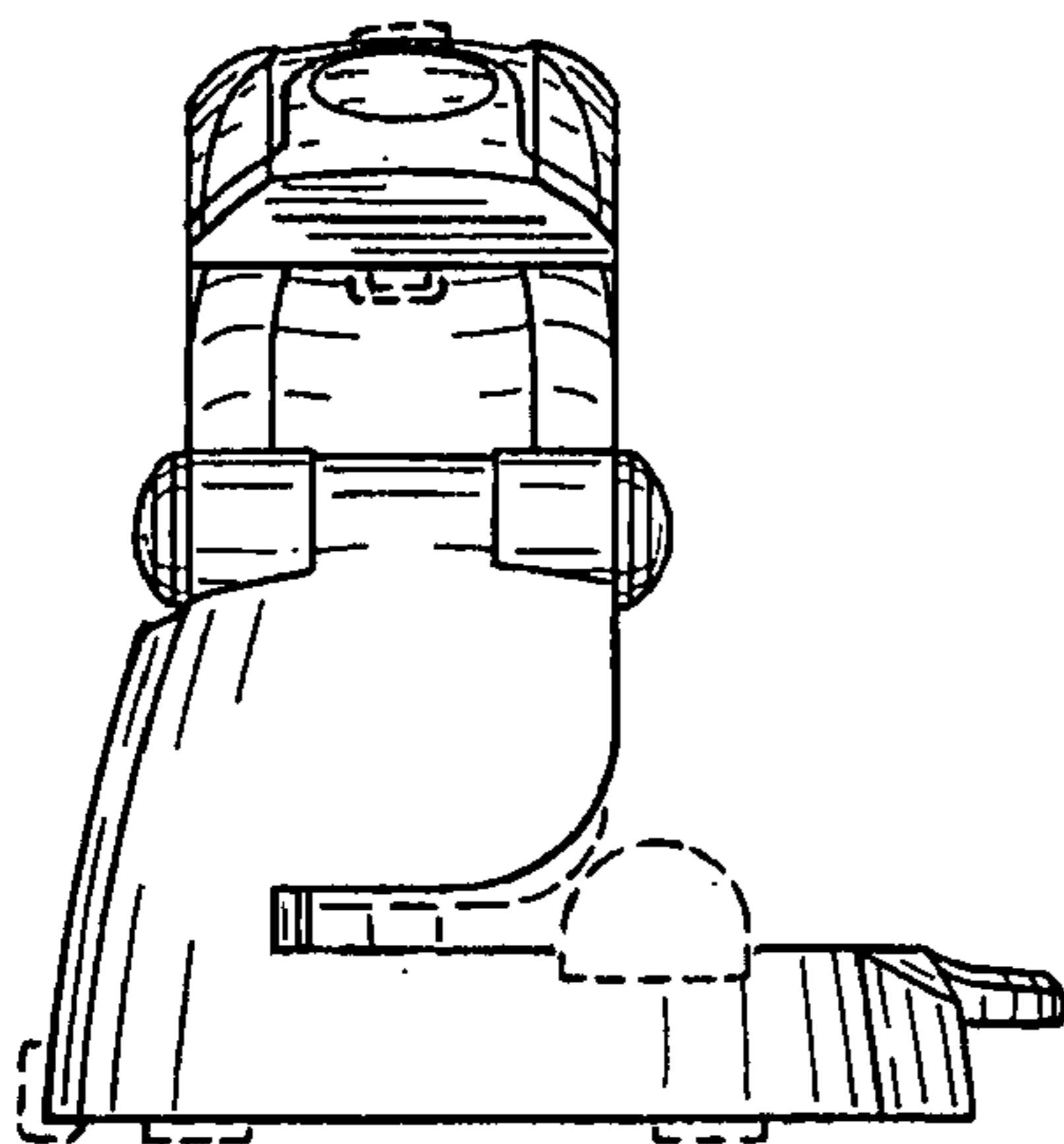
*Fig. 7*



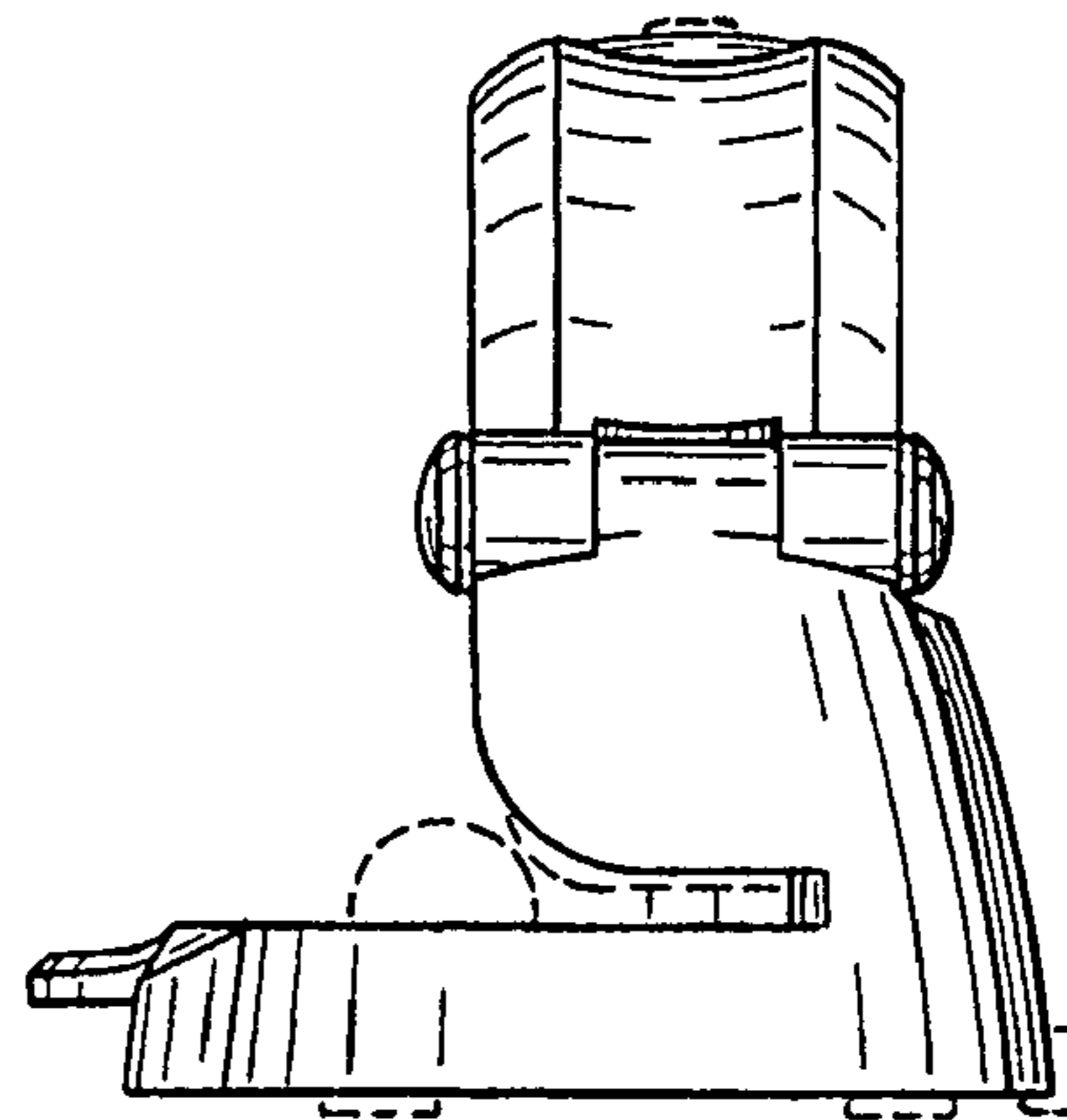
*Fig. 8*



*Fig. 9*



*Fig. 10*



*Fig. 11*