

US00D564592S

(12) **United States Design Patent**  
**Kwok**

(10) **Patent No.:** **US D564,592 S**

(45) **Date of Patent:** **\*\* Mar. 18, 2008**

(54) **TAPE DISPENSER**

(76) **Inventor:** **Eddie Tak-Chuen Kwok**, 1590 Alpine St., Baldwin, NY (US) 11510

(\*\*) **Term:** **14 Years**

(21) **Appl. No.:** **29/285,885**

(22) **Filed:** **Apr. 13, 2007**

(30) **Foreign Application Priority Data**

Oct. 13, 2006 (HK) ..... 0602649

(51) **LOC (8) Cl.** ..... **19-02**

(52) **U.S. Cl.** ..... **D19/69**

(58) **Field of Classification Search** ..... D19/70,  
D19/69, 68; 242/588.6, 588.3, 588.2; 225/77,  
225/6, 56, 39, 26, 25, 19, 11; 206/411; 156/577,  
156/527, 523

See application file for complete search history.

(56) **References Cited**

**U.S. PATENT DOCUMENTS**

D280,738 S \* 9/1985 Grassi ..... D19/68  
5,164,038 A \* 11/1992 Sundqvist ..... 156/577  
D333,678 S \* 3/1993 Lissoni ..... D19/69  
5,197,386 A \* 3/1993 Lin ..... 101/213

5,954,916 A \* 9/1999 Orlandi ..... 156/386  
6,651,718 B2 \* 11/2003 Hua ..... 156/523  
6,848,489 B2 \* 2/2005 Lissoni ..... 156/523  
D520,061 S \* 5/2006 Daunter et al. .... D19/69  
2004/0211523 A1 \* 10/2004 Yu Chen ..... 156/523

\* cited by examiner

*Primary Examiner*—Cathron C. Brooks

*Assistant Examiner*—Austin Murphy

(74) *Attorney, Agent, or Firm*—Alix, Yale & Ristas, LLP

(57) **CLAIM**

The ornamental design for a tape dispenser, as shown and described.

**DESCRIPTION**

FIG. 1 is a front elevational view of a tape dispenser showing my new design;

FIG. 2 is a rear elevational view thereof;

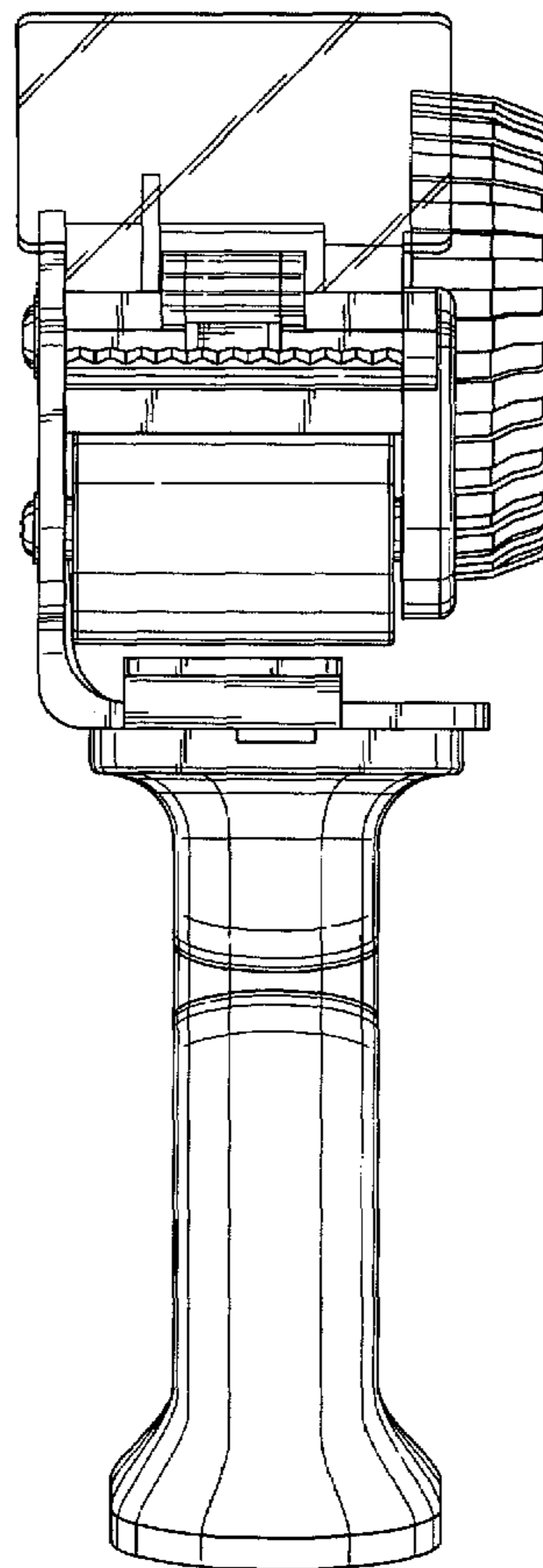
FIG. 3 is a left side elevational view thereof;

FIG. 4 is a right side elevational view thereof;

FIG. 5 is a top plan view thereof; and,

FIG. 6 is a bottom plan view thereof.

**1 Claim, 4 Drawing Sheets**



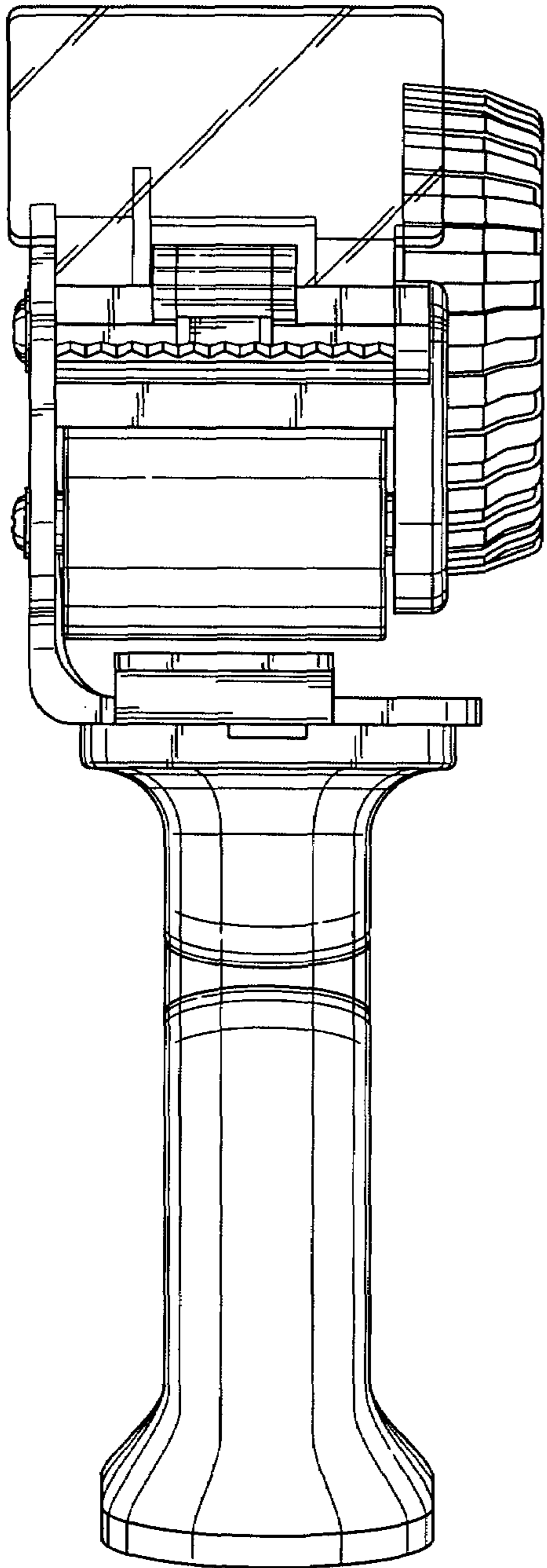


FIG. 1

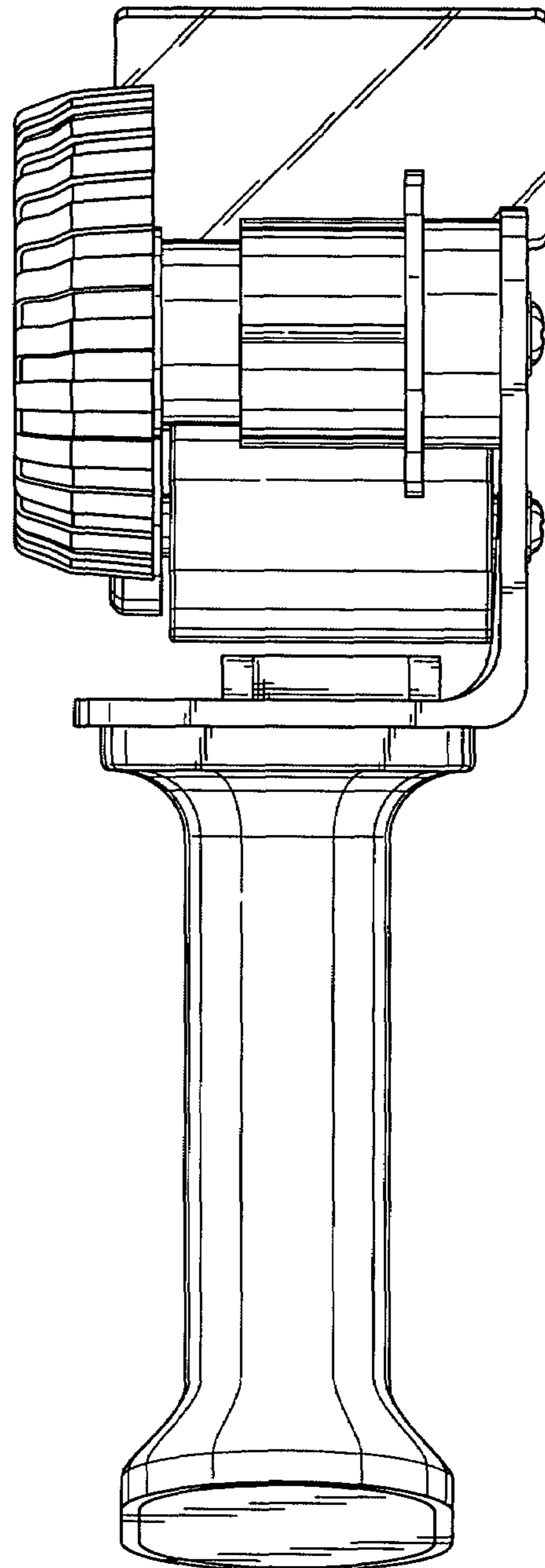


FIG. 2

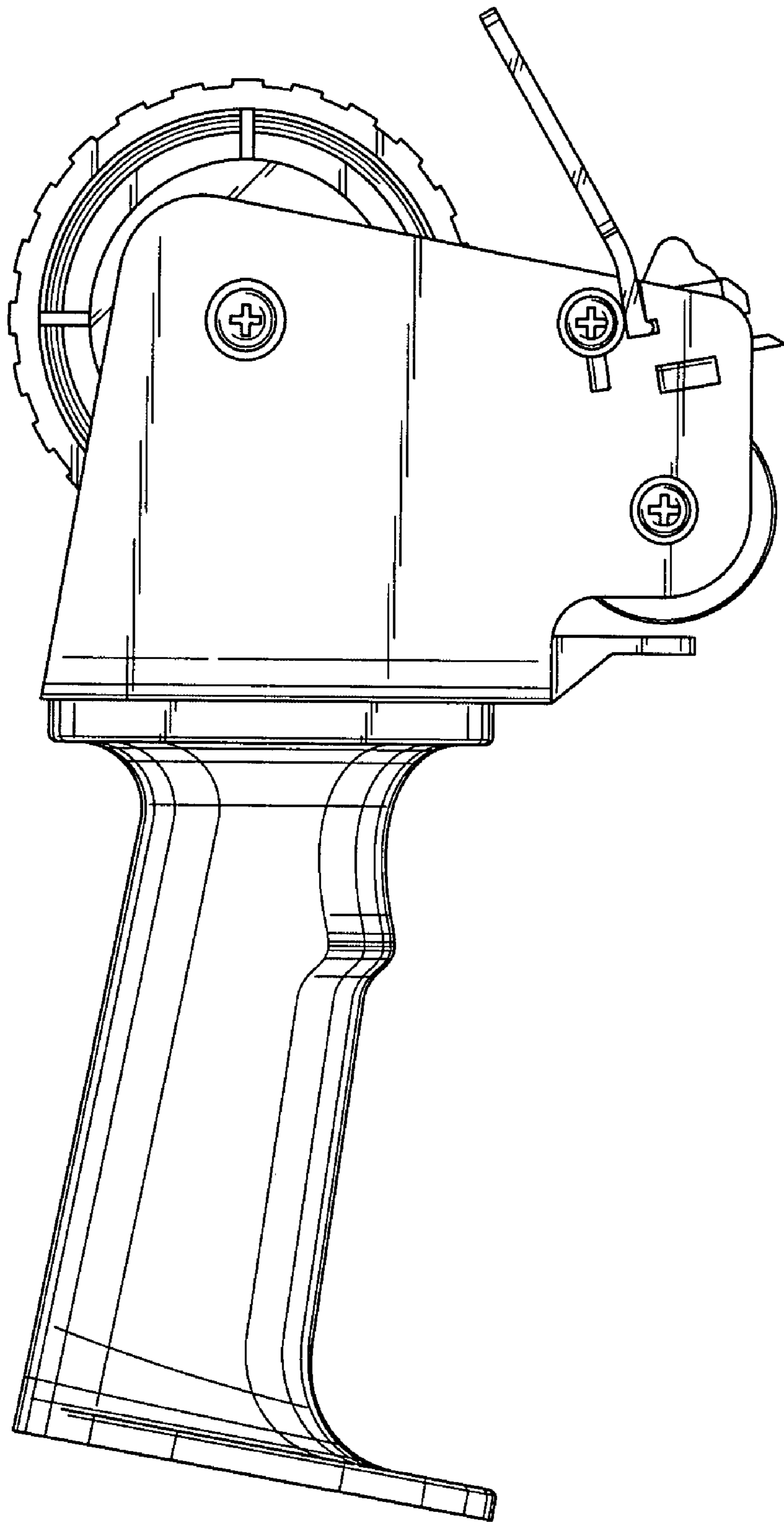


FIG. 3

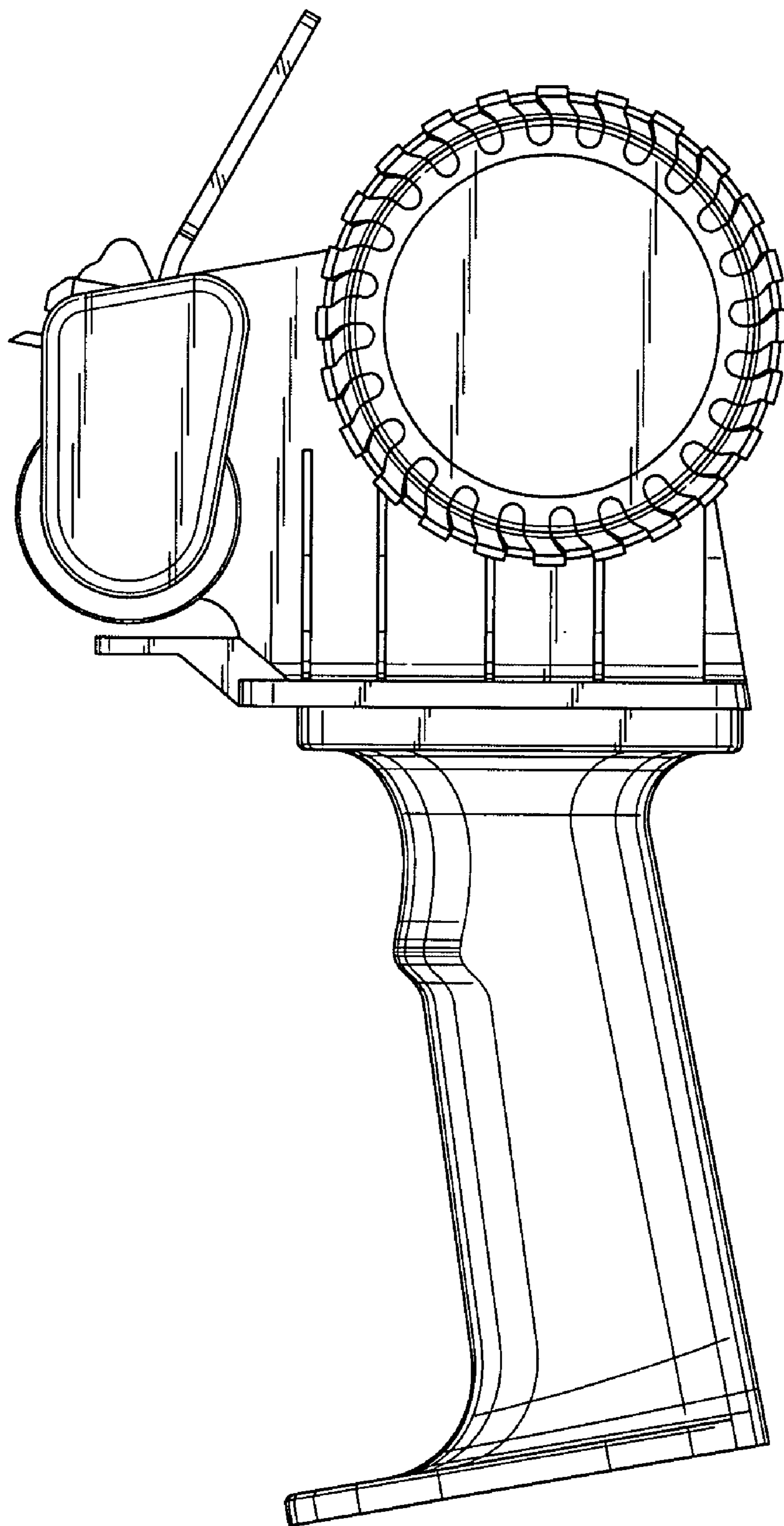


FIG. 4

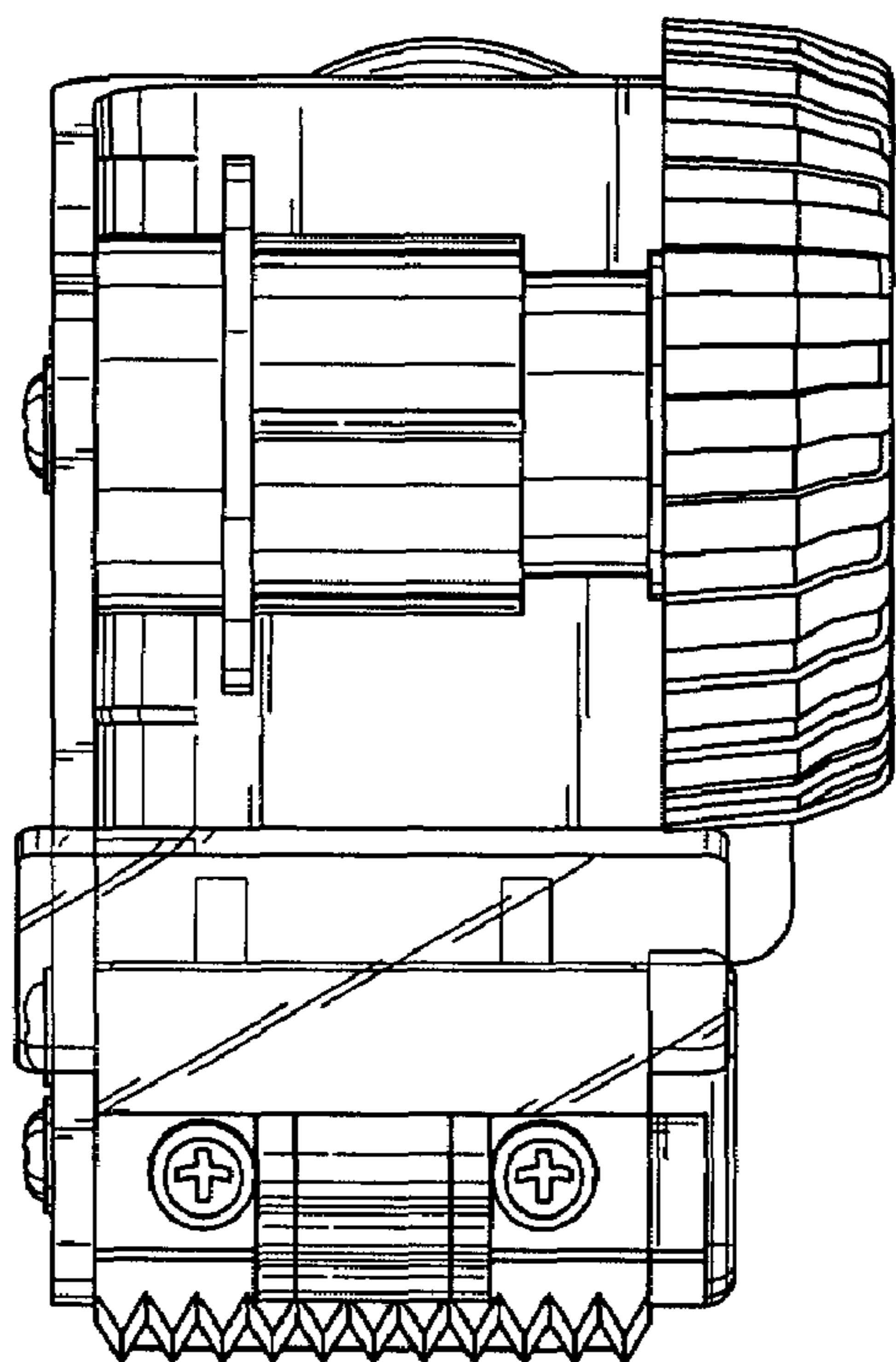


FIG. 5

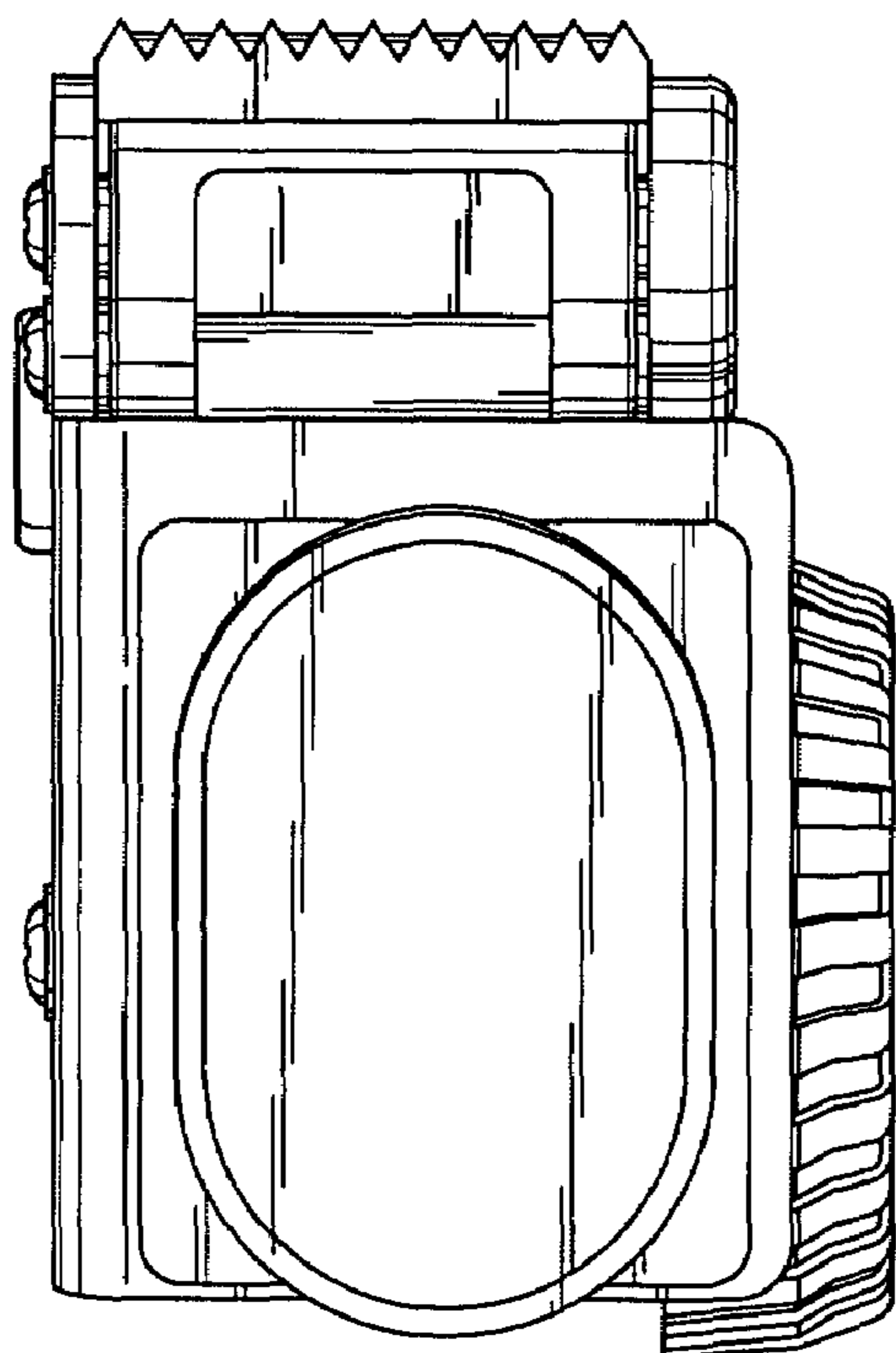


FIG. 6