



US00D564585S

(12) **United States Design Patent**
Wertime

(10) **Patent No.:** **US D564,585 S**

(45) **Date of Patent:** **** Mar. 18, 2008**

(54) **STRAIGHT EDGE LID PEN**

(76) Inventor: **Gregory Wertime**, 582 N. Wilson Ave.,
Apt. 3, Pasadena, CA (US) 91160

(**) Term: **14 Years**

(21) Appl. No.: **29/264,107**

(22) Filed: **Aug. 3, 2006**

(51) **LOC (8) Cl.** **19-06**

(52) **U.S. Cl.** **D19/36**

(58) **Field of Classification Search** D19/35,
D19/36, 41-51, 53-57; 24/11 R, 11 F, 11 P;
401/52, 99, 100, 104, 105, 106, 107, 108,
401/109, 192, 195, 196; D10/62, 71; 33/483,
33/492

See application file for complete search history.

(56) **References Cited**

U.S. PATENT DOCUMENTS

206,410 A	7/1878	Adler	
575,671 A	1/1897	Watts	
679,599 A *	7/1901	Campbell	428/211.1
1,607,097 A	11/1926	Murphy	
1,677,387 A	7/1928	Gaidos	
1,806,849 A	5/1931	Gelardi	
D126,555 S	4/1941	Gurtov	
D193,410 S	8/1962	Reichenthal	
D202,290 S *	9/1965	Seely	D10/71
3,764,064 A	10/1973	Gaidos	
D236,462 S *	8/1975	Malberg	D19/35
D258,911 S	4/1981	Sandel	
D264,824 S	6/1982	Sandel	
4,403,418 A	9/1983	Vagias	
D272,421 S	1/1984	Sandel	
4,602,397 A	7/1986	Chao	
D286,646 S	11/1986	Mori	
4,815,881 A	3/1989	Chern	
D301,043 S	5/1989	Castle	
D318,489 S	7/1991	Cho-Kai	
5,240,338 A	8/1993	Jye	
5,309,643 A	5/1994	McCollom	
D375,759 S	11/1996	Piscatelli	

5,915,807 A	6/1999	Ilagan	
D422,309 S	4/2000	Bond	
D457,916 S *	5/2002	Reichmann	D19/36
D462,988 S	9/2002	Knudsen	
D485,297 S *	1/2004	Reda et al.	D19/36
D492,346 S	6/2004	Huang	
6,972,022 B1	12/2005	Griffin	
D538,851 S *	3/2007	Sandel et al.	D19/36
2003/0154608 A1	8/2003	Khan	
2004/0172839 A1	9/2004	Zirk	

* cited by examiner

Primary Examiner—Elizabeth A. Albert

(57) **CLAIM**

The ornamental design for a straight edge lid pen, as shown and described.

DESCRIPTION

FIG. 1 is a side perspective view of a straight edge lid pen showing my new design.

FIG. 2 is an enlarged side perspective view of the casing thereof, shown by itself for convenience of illustration.

FIG. 3 is a side perspective view of the whole pen from the opposite side from that shown in FIG. 1.

FIG. 4 is another side perspective view thereof, shown in a partially pulled out condition.

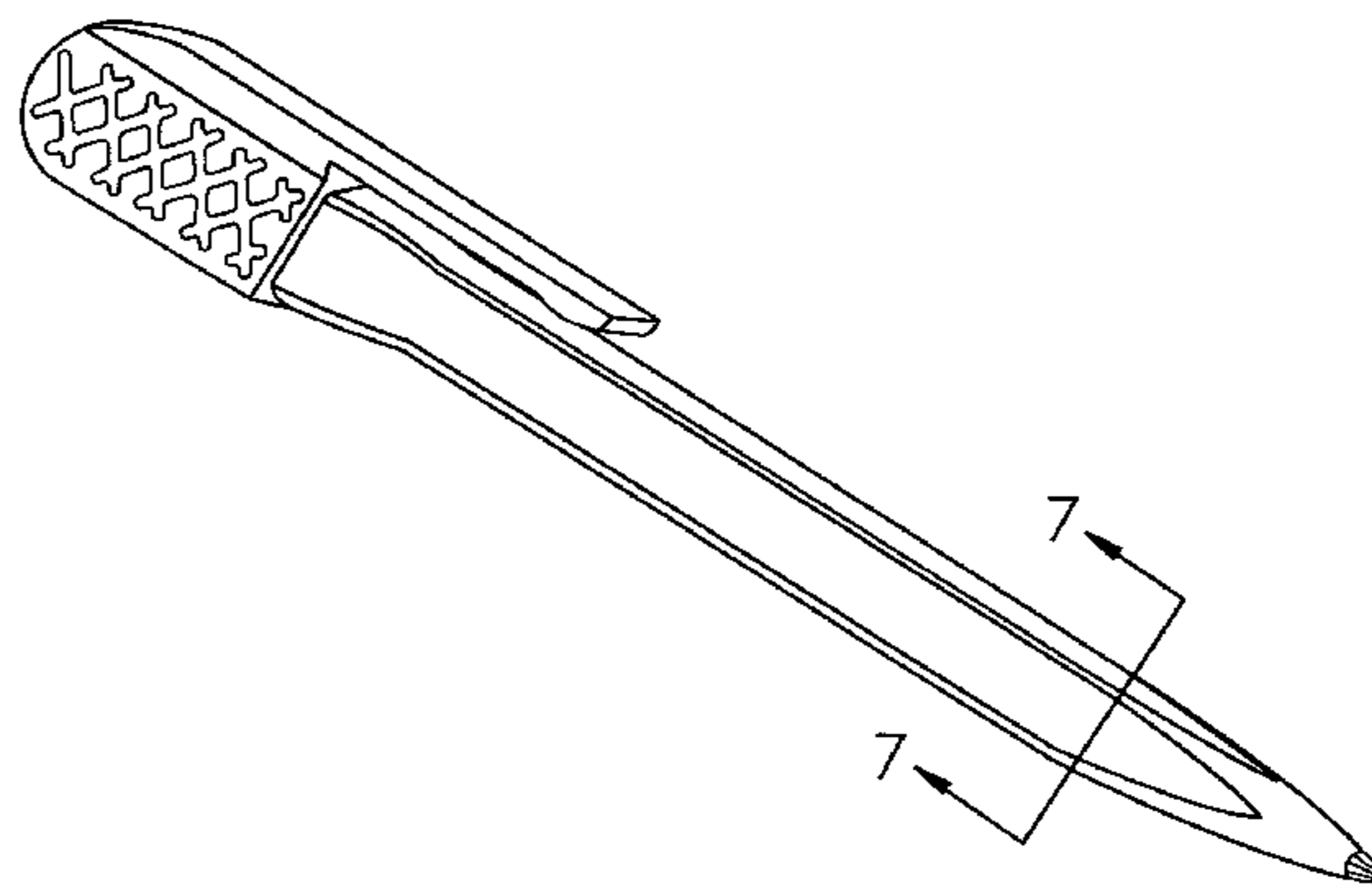
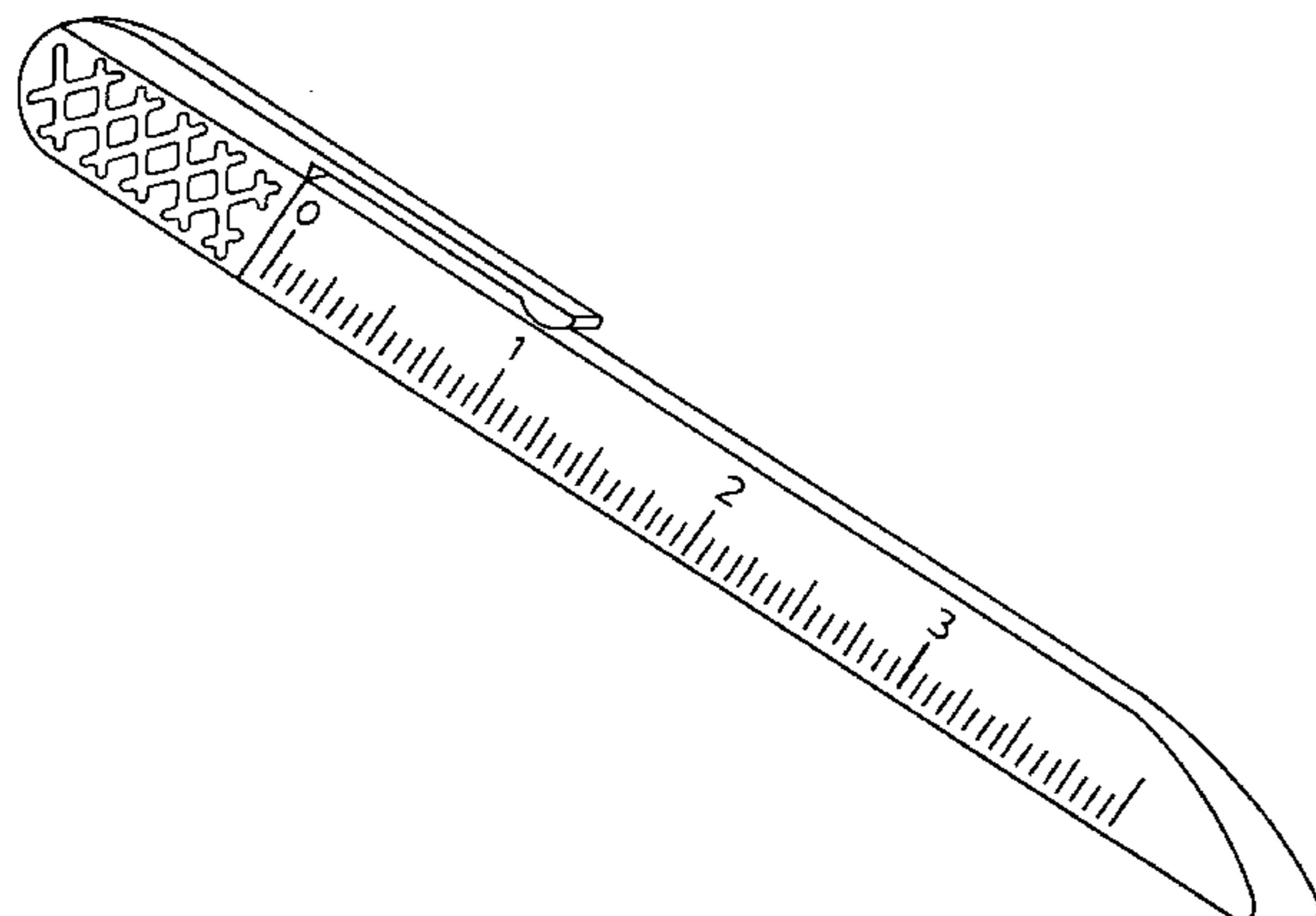
FIG. 5 is a side perspective view of the pen thereof, shown without the casing for convenience of illustration.

FIG. 6 is a side perspective view of the casing thereof, shown without the pen for convenience of illustration.

FIG. 7 is an enlarged cross-sectional view of the pen without the casing, taken at the point 7—7 in FIG. 5. The broken lines showing internal parts in the drawing of FIG. 7 are shown for environmental purposes only and form no part of the claimed design; and,

FIG. 8 is a top plan view of the casing thereof, shown by itself for convenience of illustration.

1 Claim, 7 Drawing Sheets



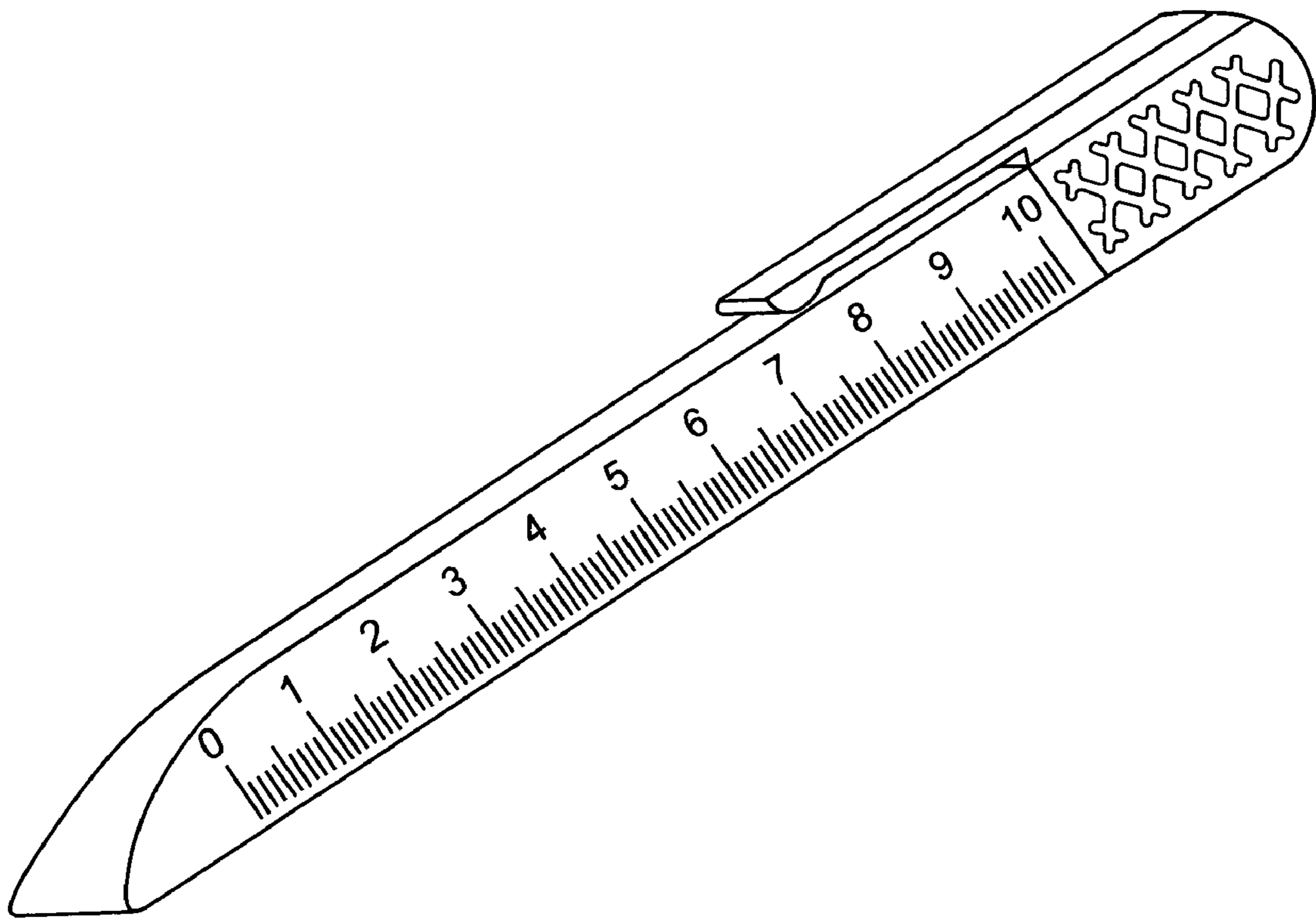


FIG. 1

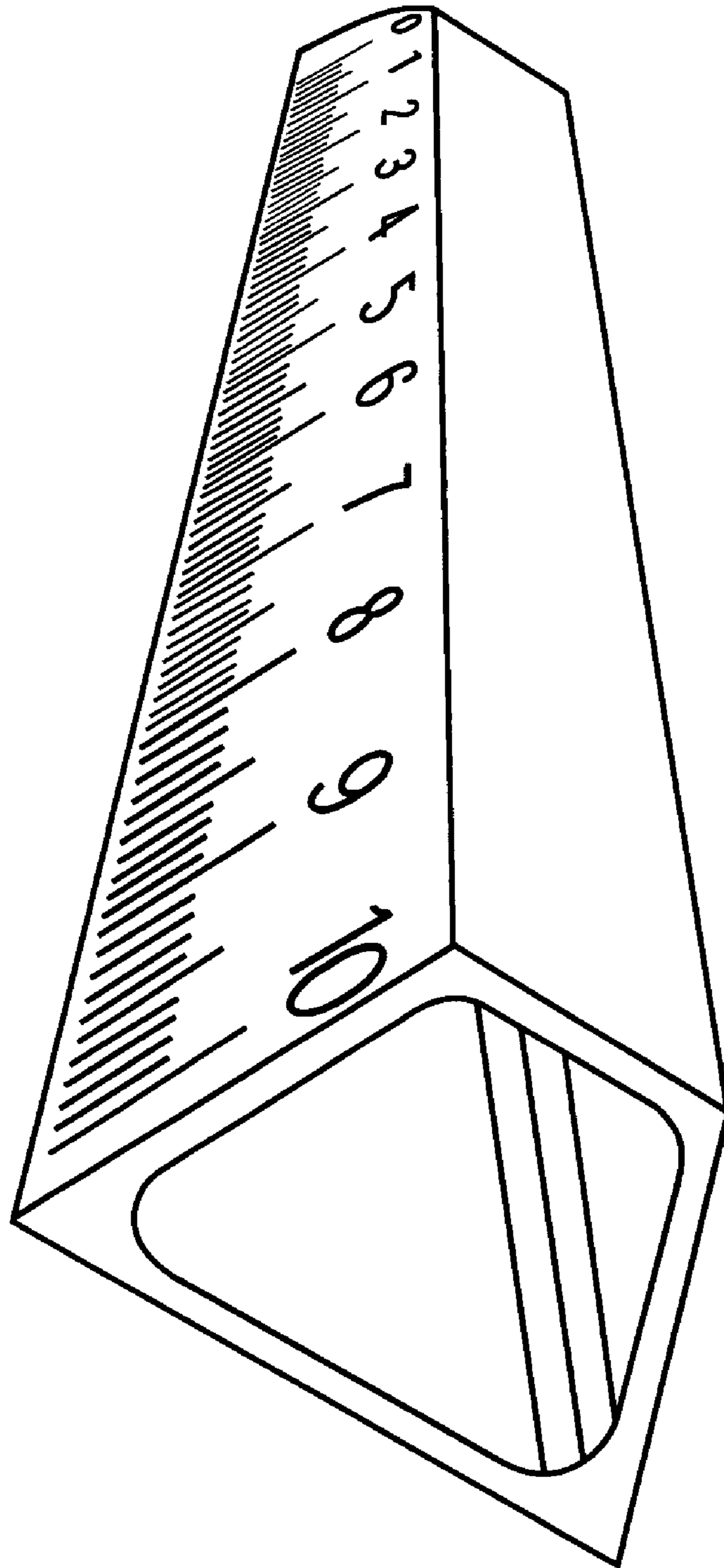


FIG. 2

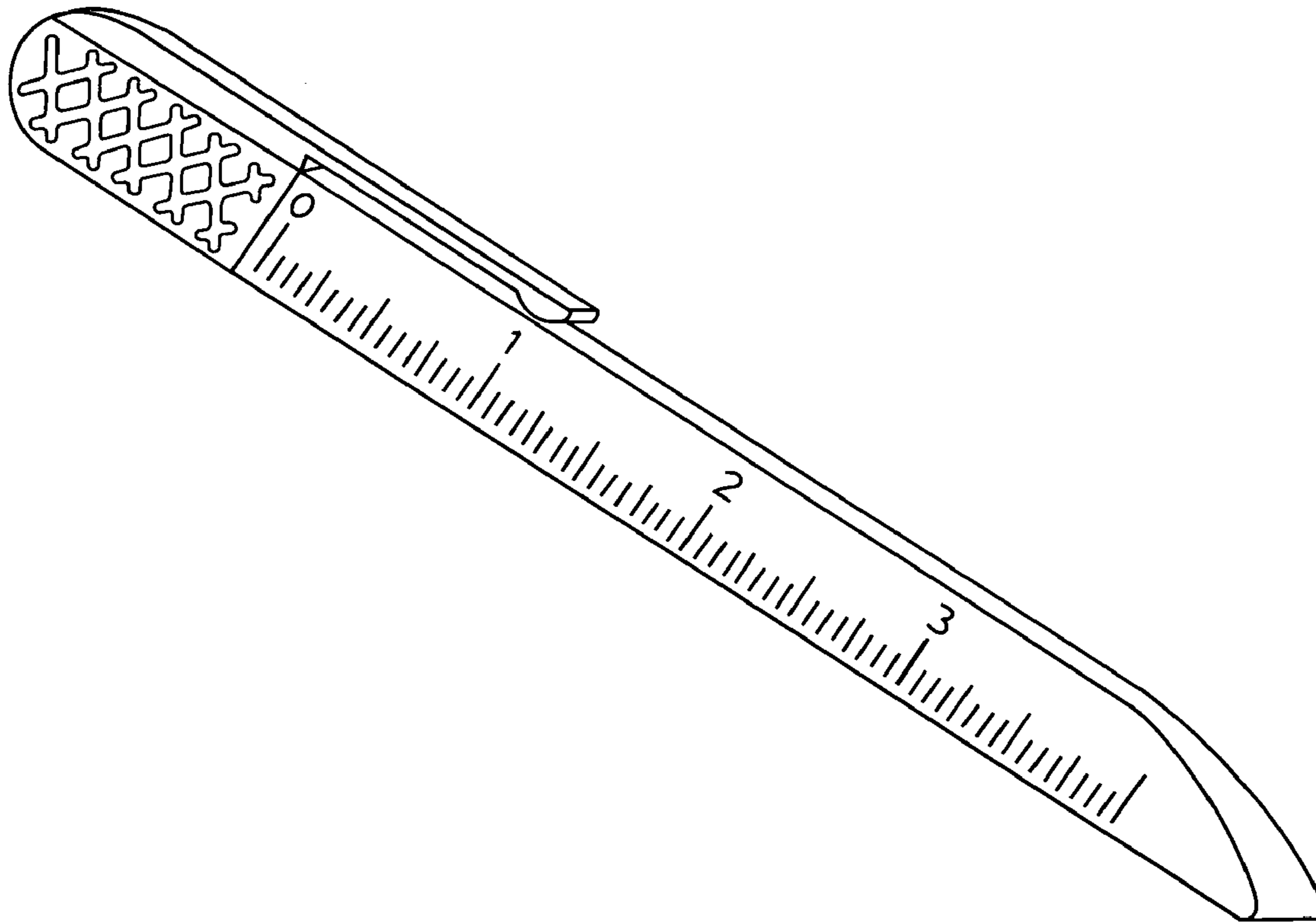


FIG. 3

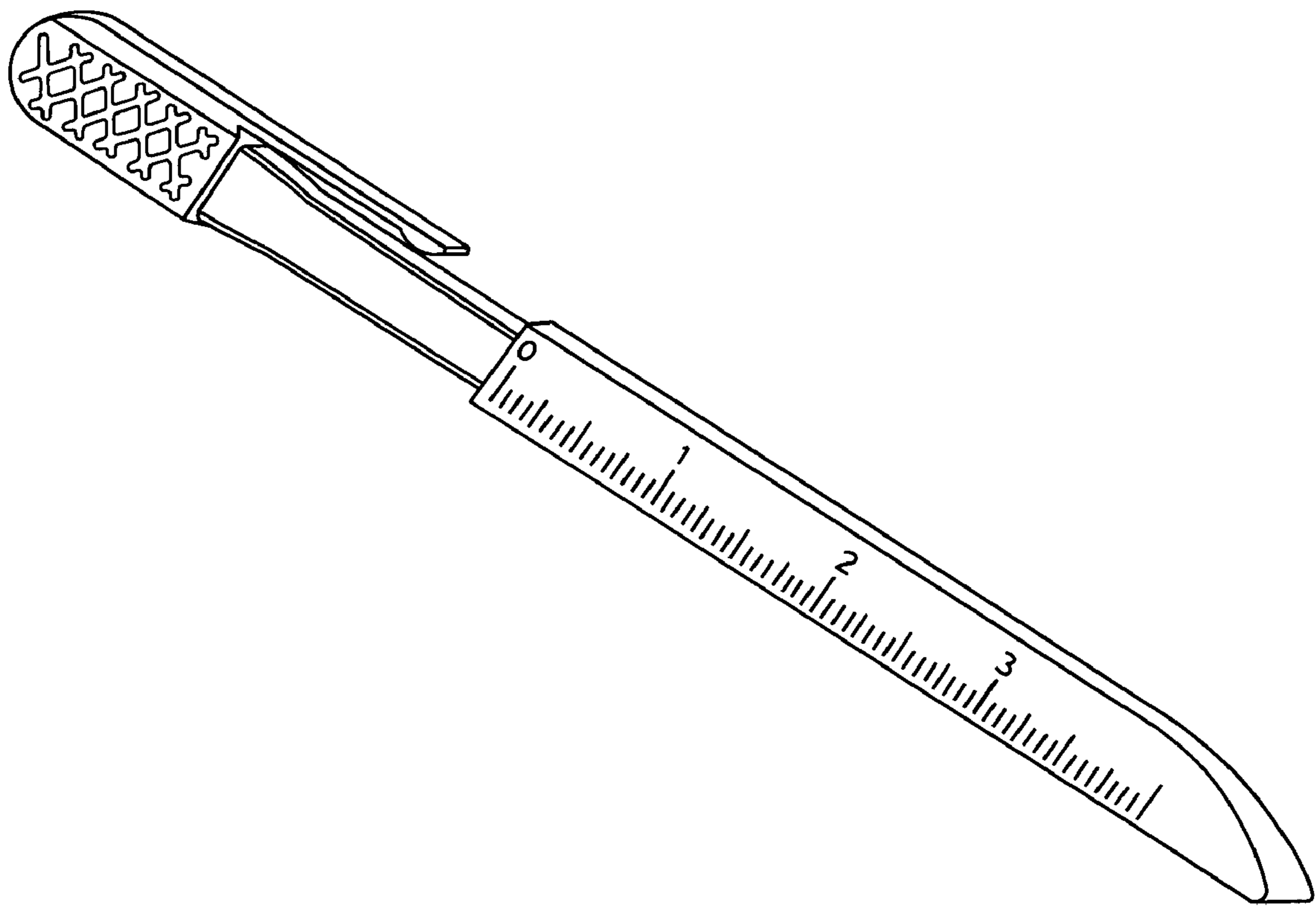


FIG. 4

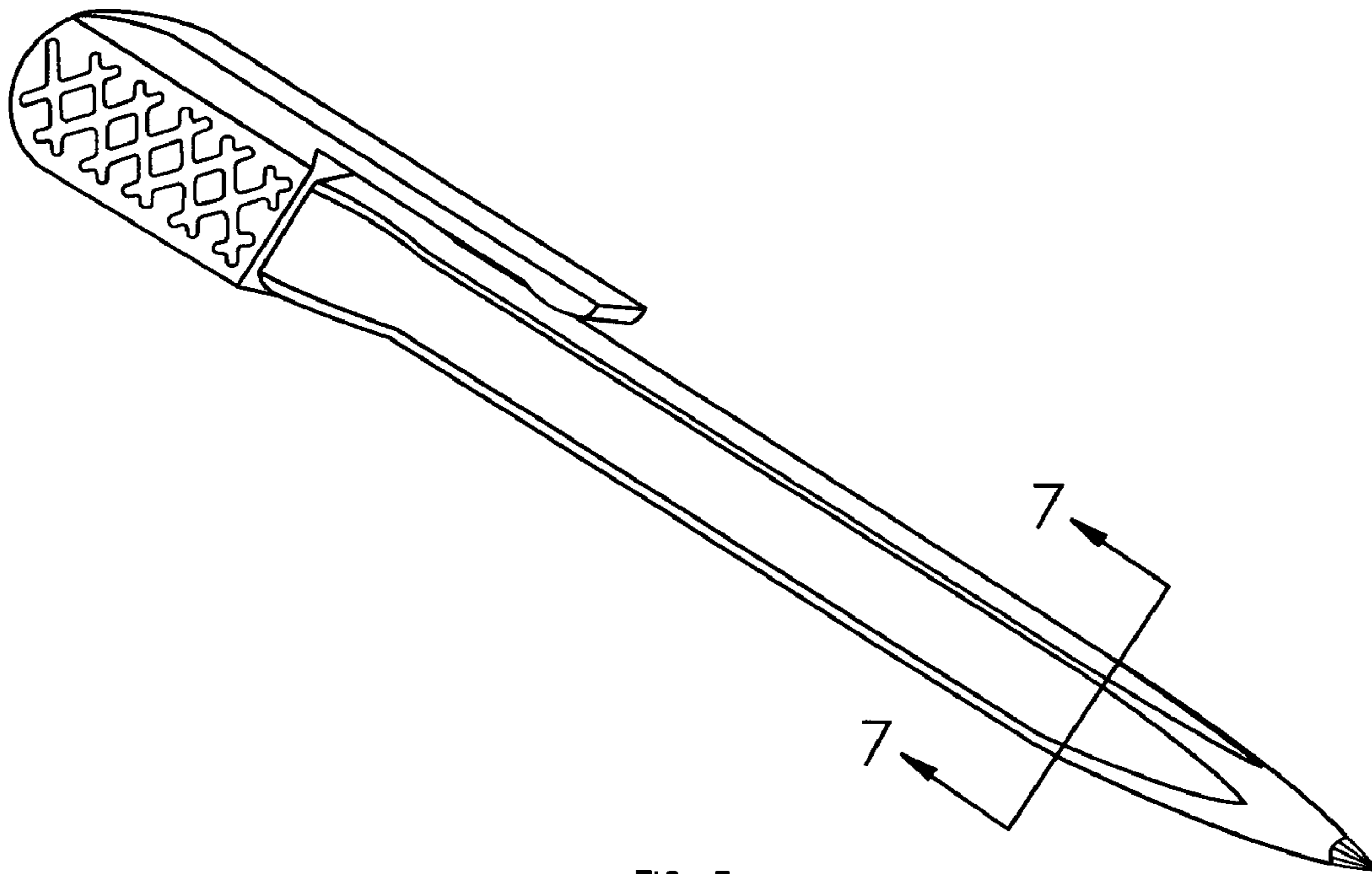


FIG. 5

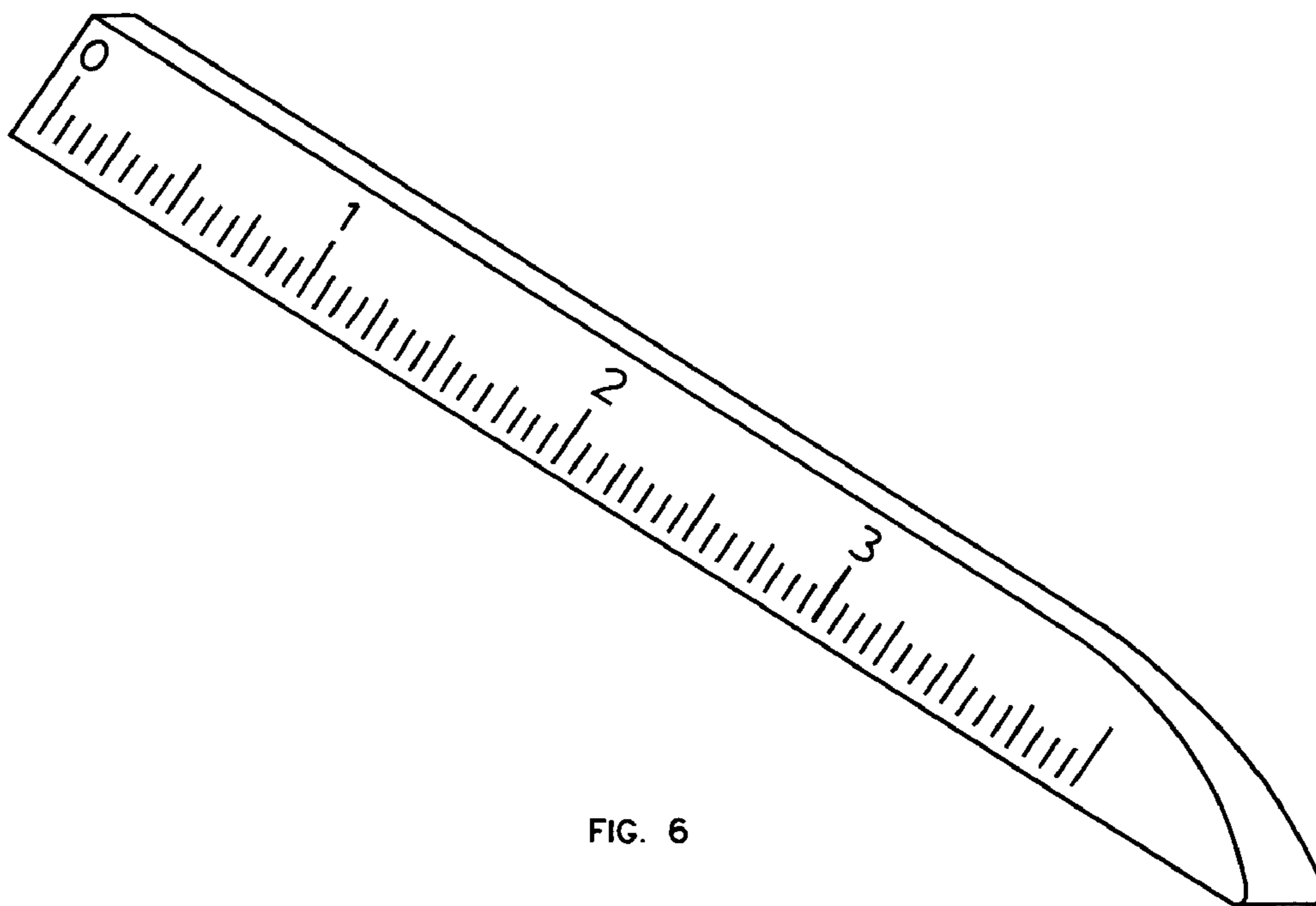


FIG. 6

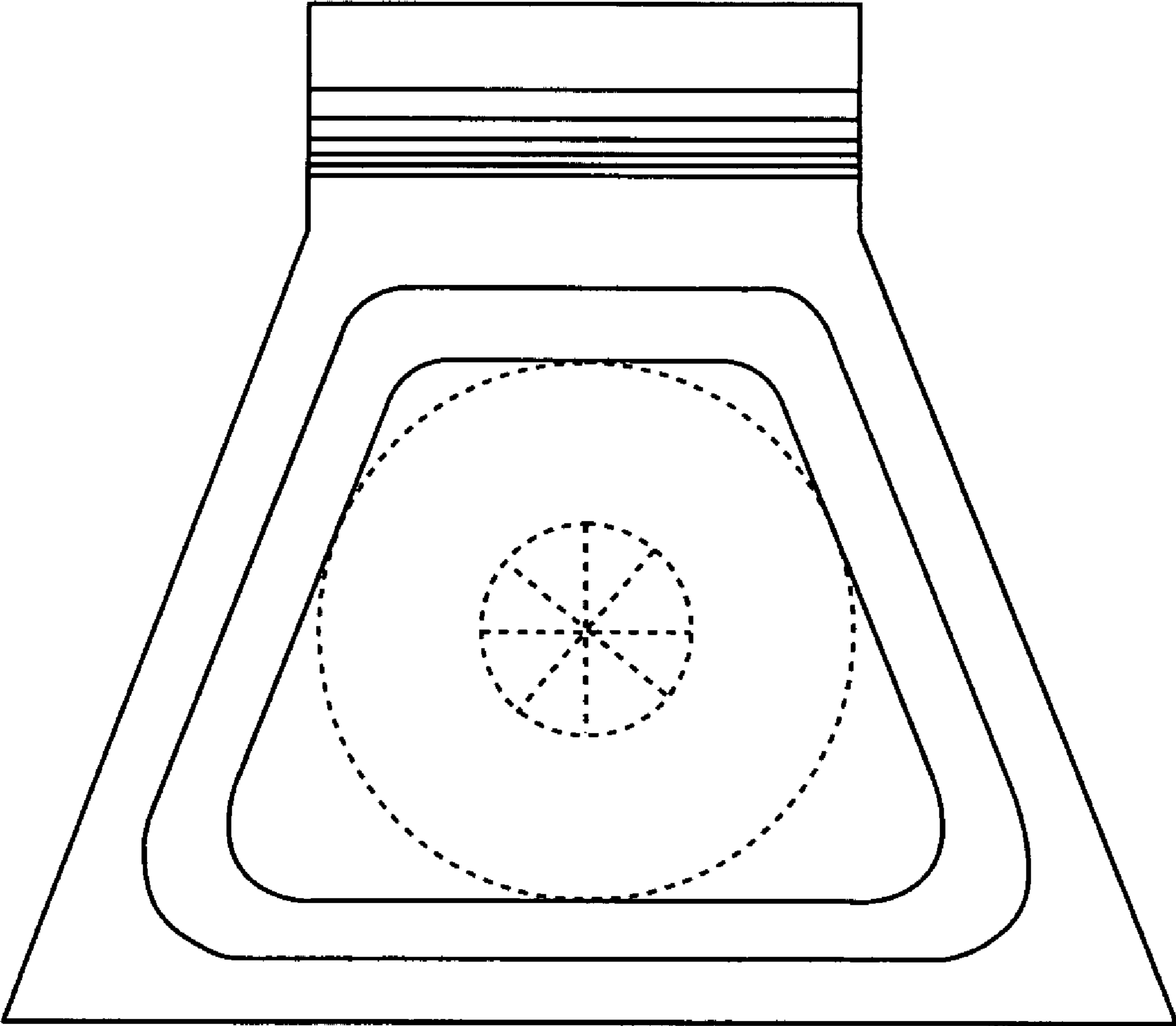


FIG. 7

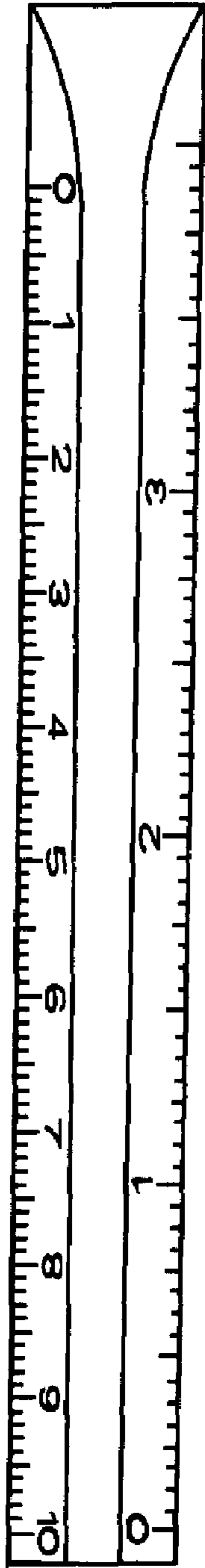


FIG. 8