



US00D564566S

(12) **United States Design Patent**
Naruki

(10) **Patent No.:** **US D564,566 S**
(45) **Date of Patent:** **** Mar. 18, 2008**

(54) **LIQUID CRYSTAL PROJECTOR**
(75) Inventor: **Masatomo Naruki**, Kawasaki (JP)
(73) Assignee: **Kabushiki Kaisha Toshiba** (JP)
(**) Term: **14 Years**
(21) Appl. No.: **29/281,716**
(22) Filed: **Jun. 29, 2007**

(30) **Foreign Application Priority Data**
May 18, 2007 (JP) 2007-013205

(51) **LOC (8) Cl.** **16-02**
(52) **U.S. Cl.** **D16/230; D16/225**
(58) **Field of Classification Search** D16/205,
D16/208, 213, 221, 225, 230, 231, 234; D21/514;
353/115, 119, 122; 349/5, 7, 8, 9, 58
See application file for complete search history.

(56) **References Cited**
U.S. PATENT DOCUMENTS

D371,564 S	7/1996	Sunada et al.	
D506,771 S	6/2005	Ooshima et al.	
D513,515 S	1/2006	Ooshima et al.	
7,029,123 B2 *	4/2006	Gishi et al.	353/119
D523,058 S *	6/2006	On et al.	D16/230
D527,407 S *	8/2006	Kawasaki et al.	D16/230
7,182,473 B2 *	2/2007	Li et al.	353/119
D545,339 S	6/2007	Naruki	
D545,861 S	7/2007	Naruki	

D545,863 S *	7/2007	Kawashima	D16/230
D545,864 S *	7/2007	Naruki	D16/230
D550,268 S	9/2007	Naruki		

* cited by examiner

Primary Examiner—Adir Aronovich
(74) *Attorney, Agent, or Firm*—Banner & Witcoff, Ltd.

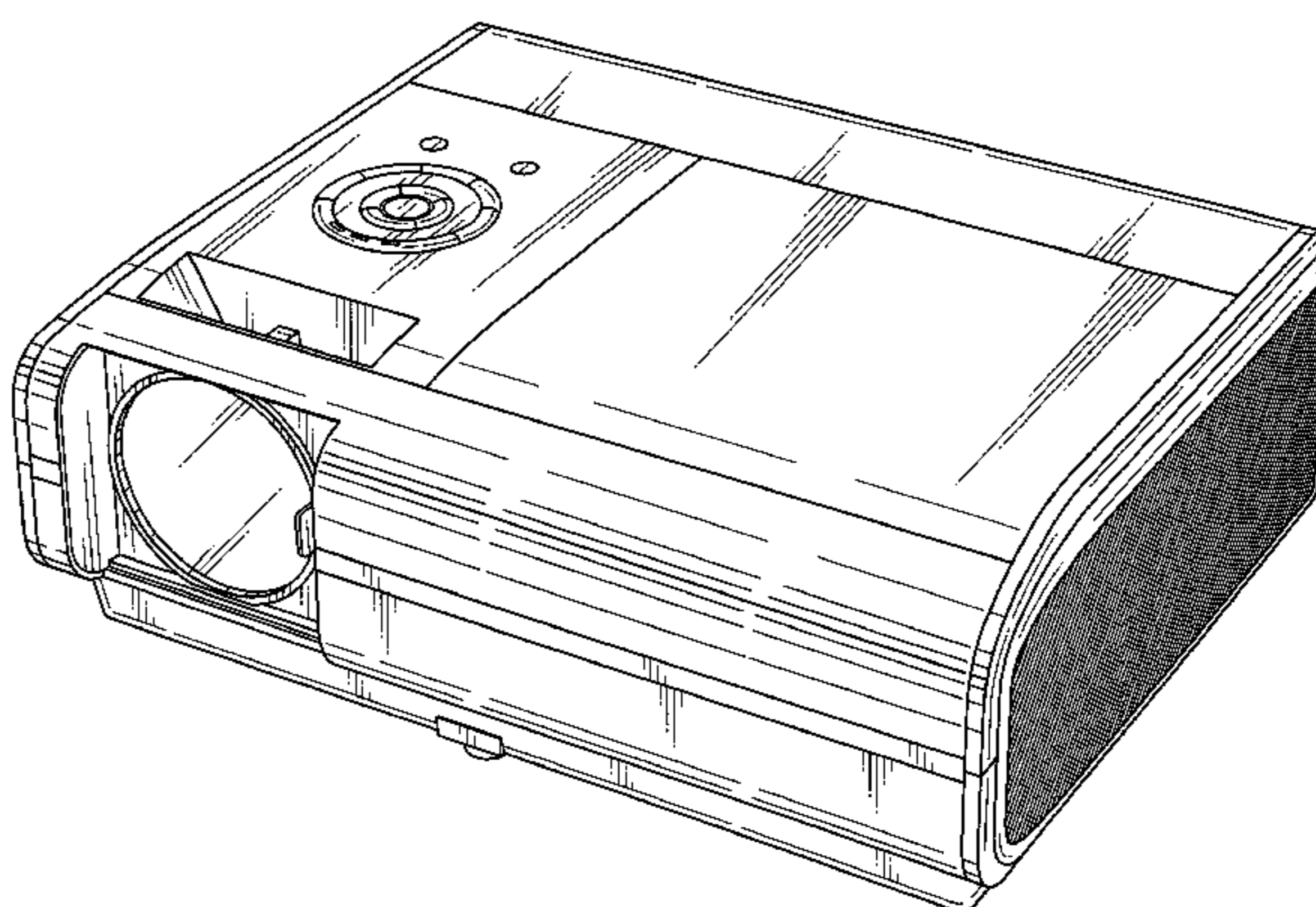
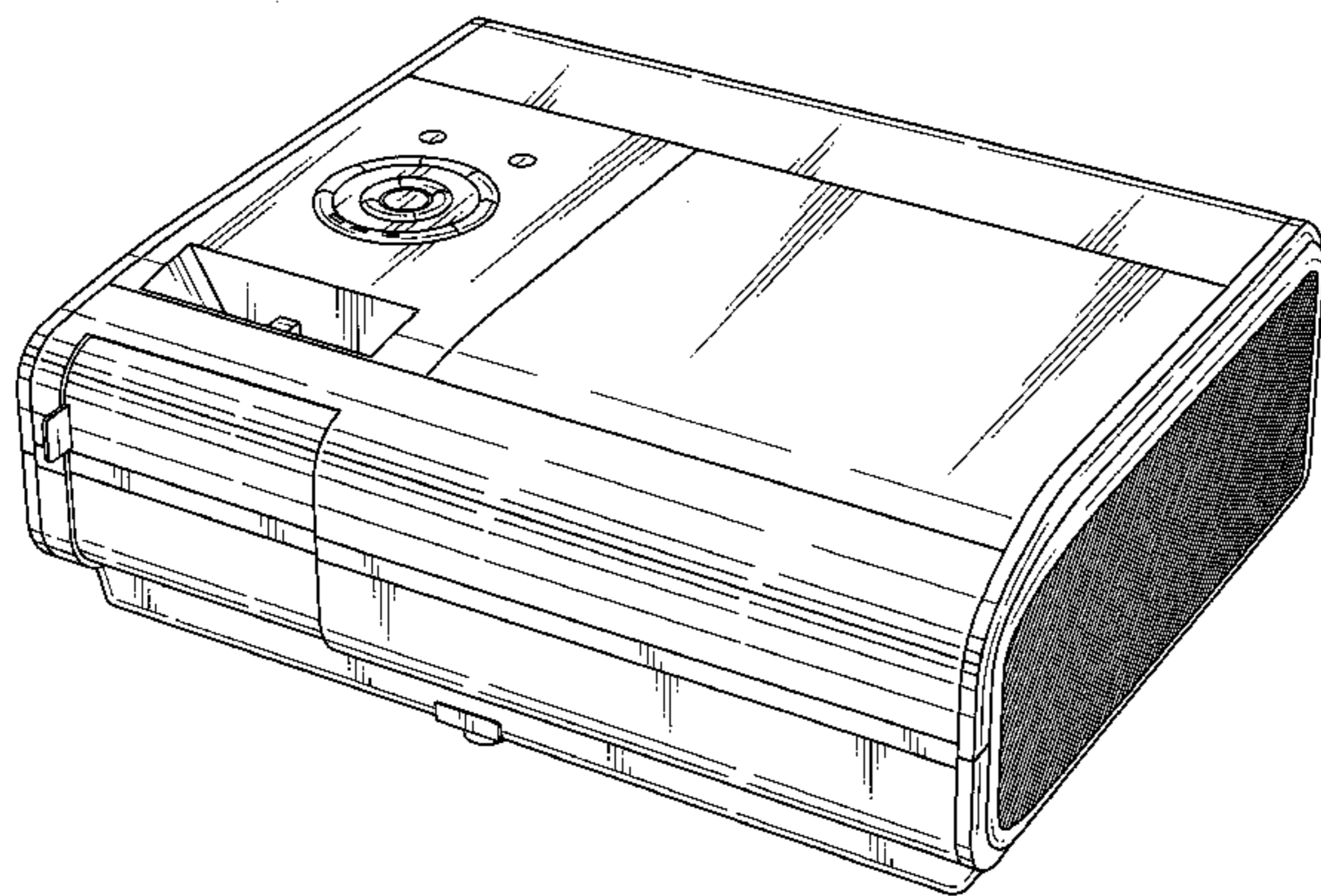
(57) **CLAIM**

The ornamental design for a liquid crystal projector, as shown and described.

DESCRIPTION

FIG. 1 is a front, top and right side perspective view of a liquid crystal projector, showing my new design;
FIG. 2 is a front, top and right side perspective view thereof with a cover in an opened state;
FIG. 3 is a front elevational view thereof with the cover in a closed state
FIG. 4 is a rear elevational view thereof;
FIG. 5 is a top plan view thereof;
FIG. 6 is a bottom plan view thereof;
FIG. 7 is a right side elevational view thereof;
FIG. 8 is a left side elevational view thereof; and,
FIG. 9 is a front elevational view thereof with the cover in an opened state.

1 Claim, 5 Drawing Sheets



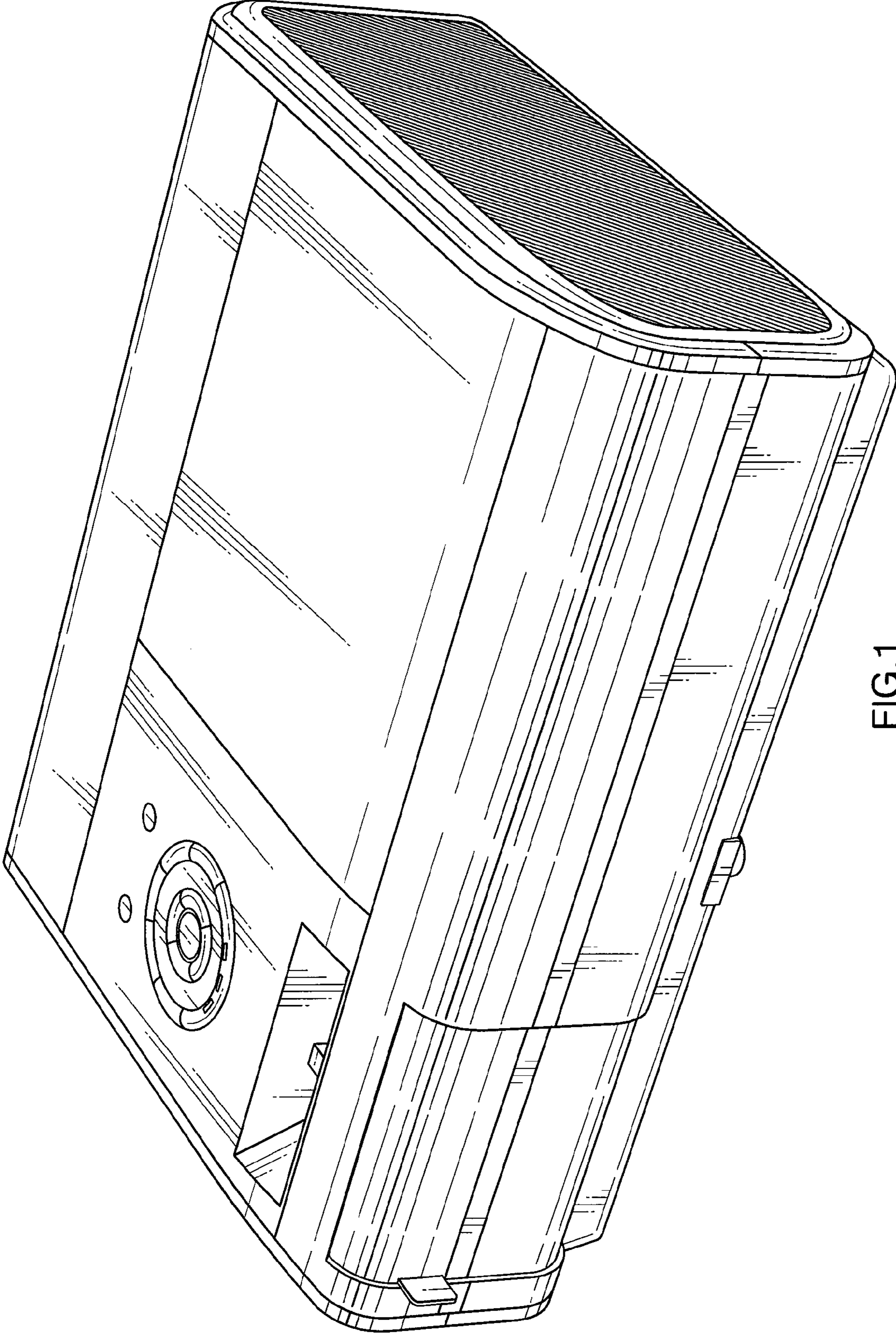


FIG.1

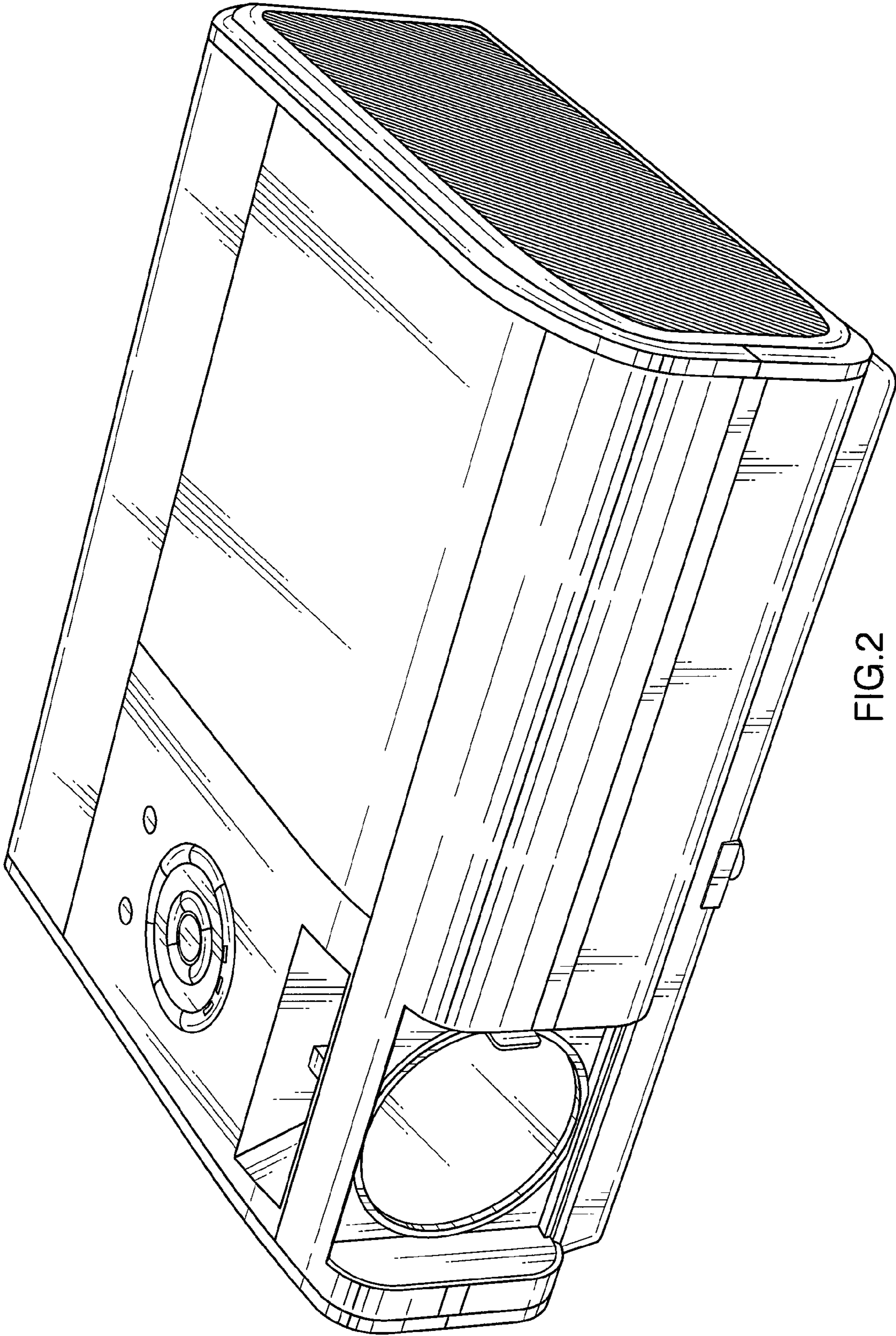


FIG.2

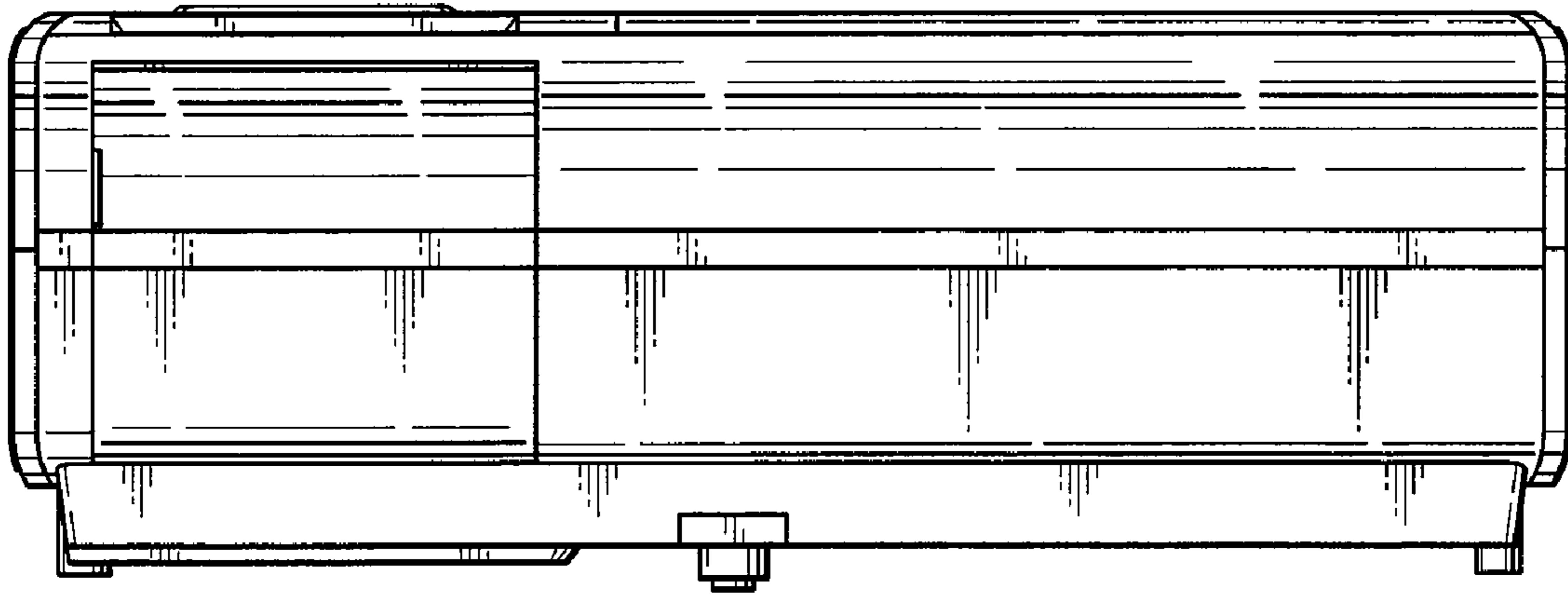


FIG.3

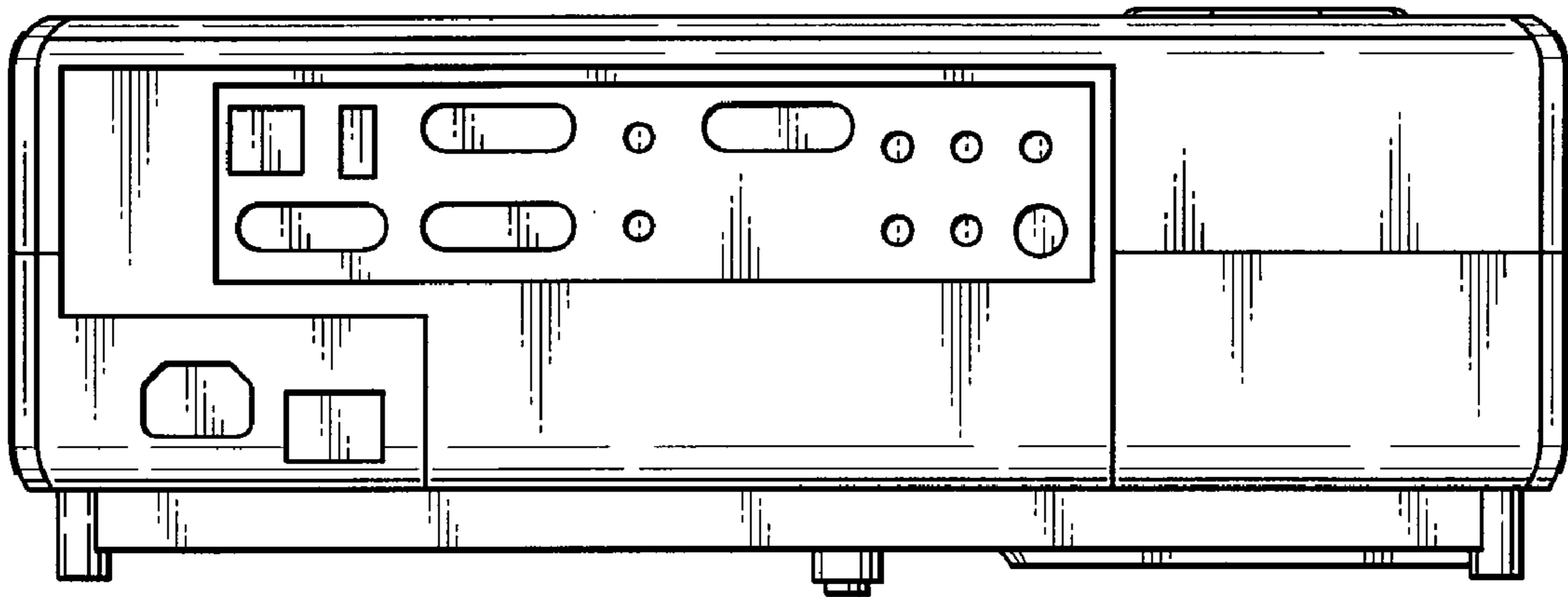


FIG.4

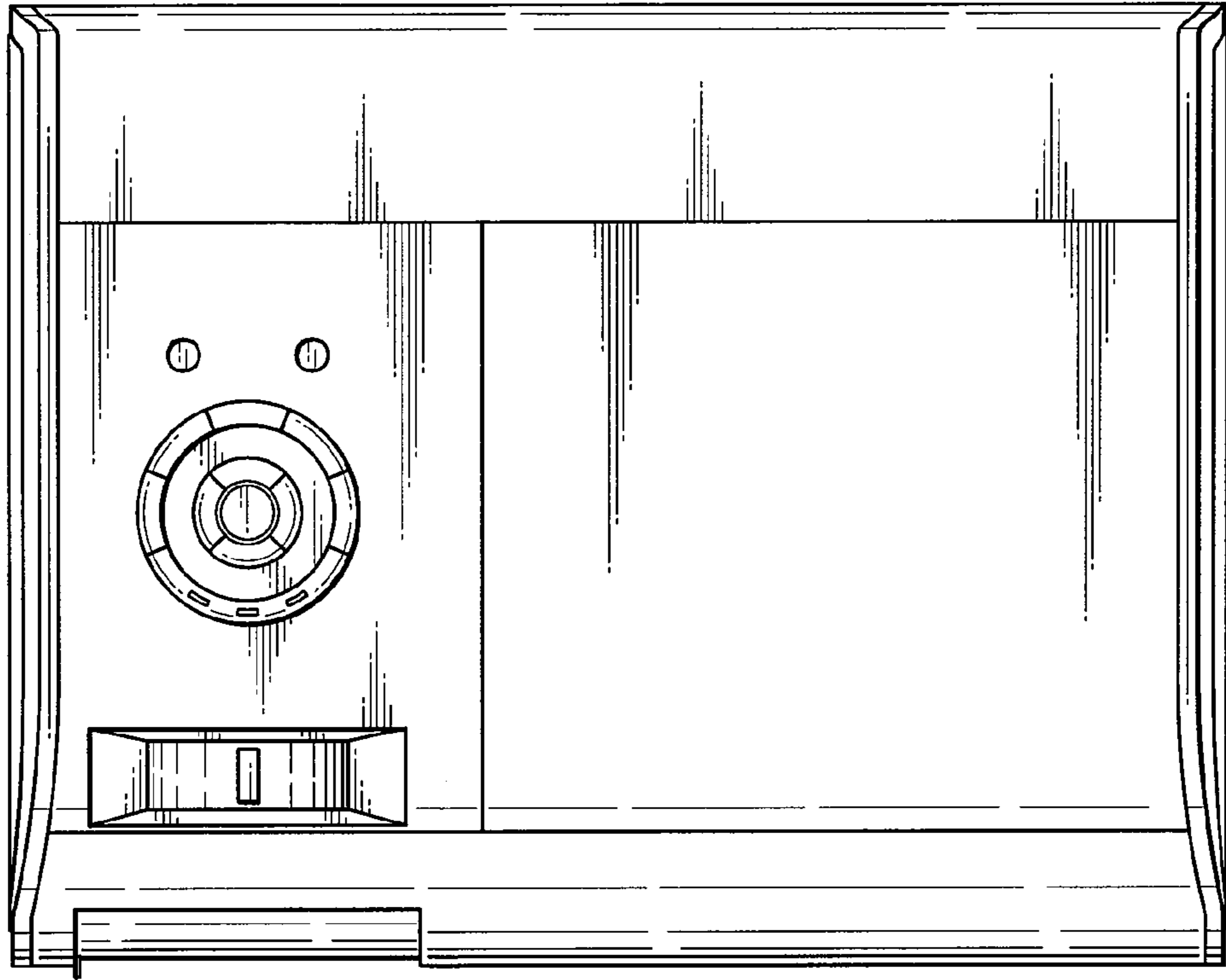


FIG.5

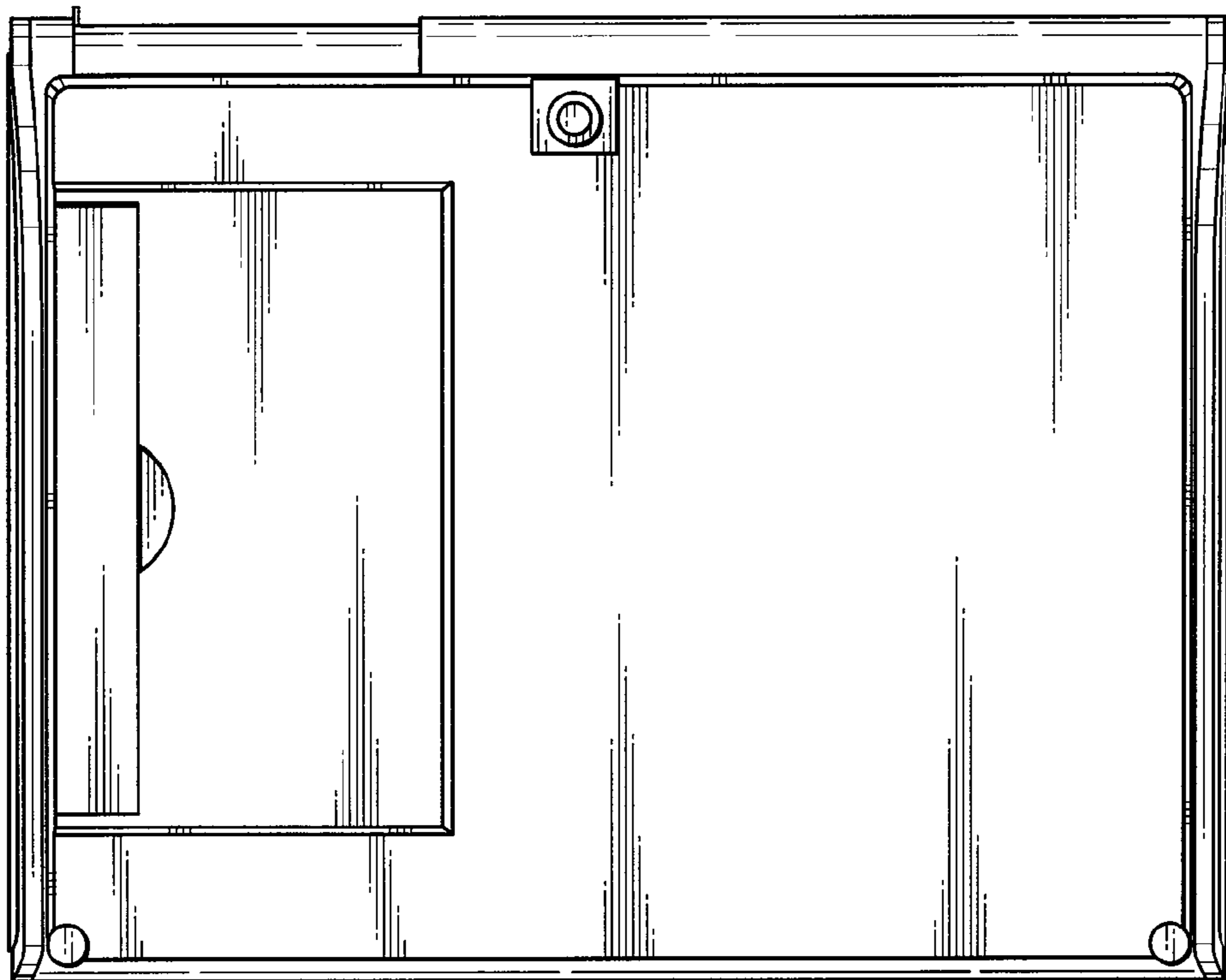


FIG.6

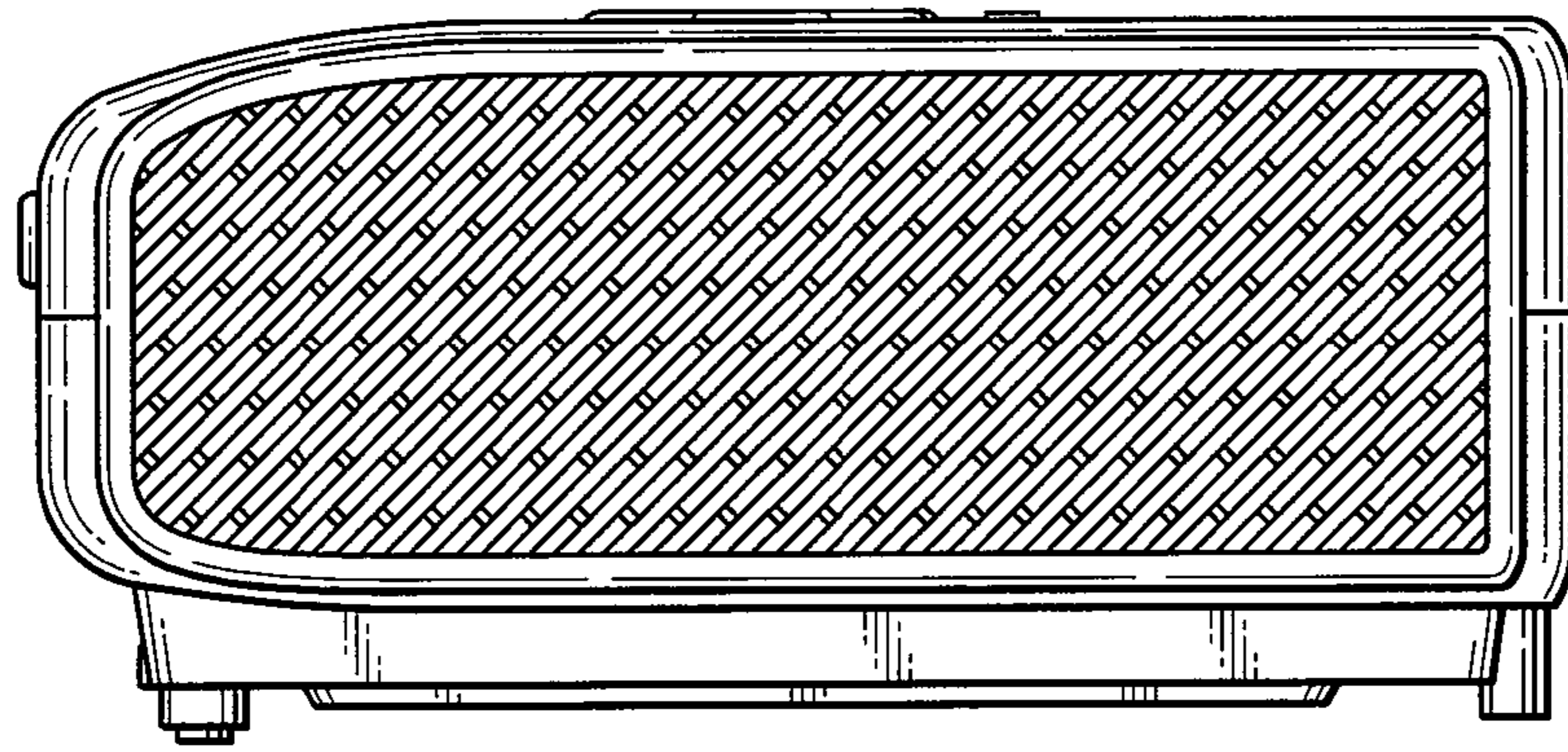


FIG. 7

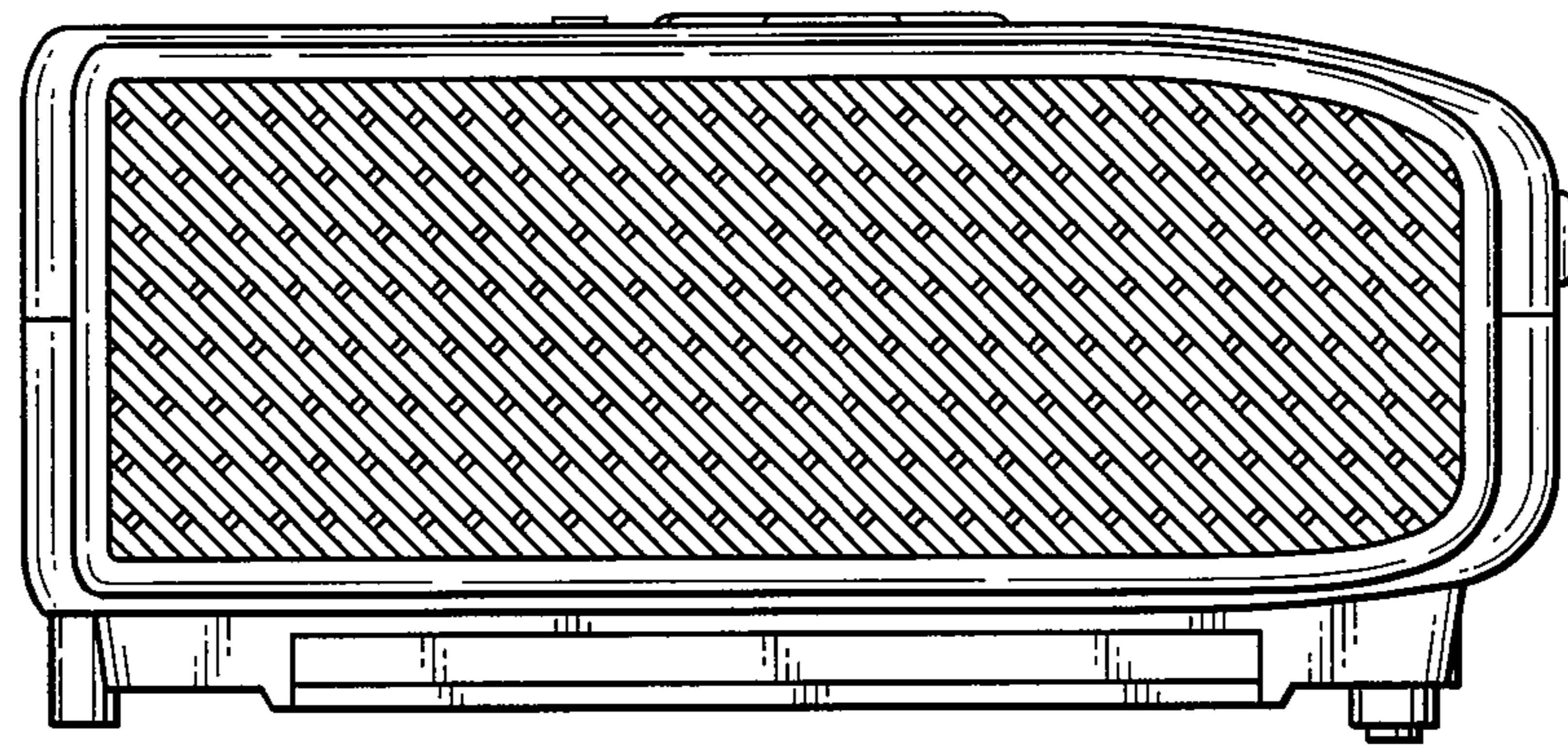


FIG. 8

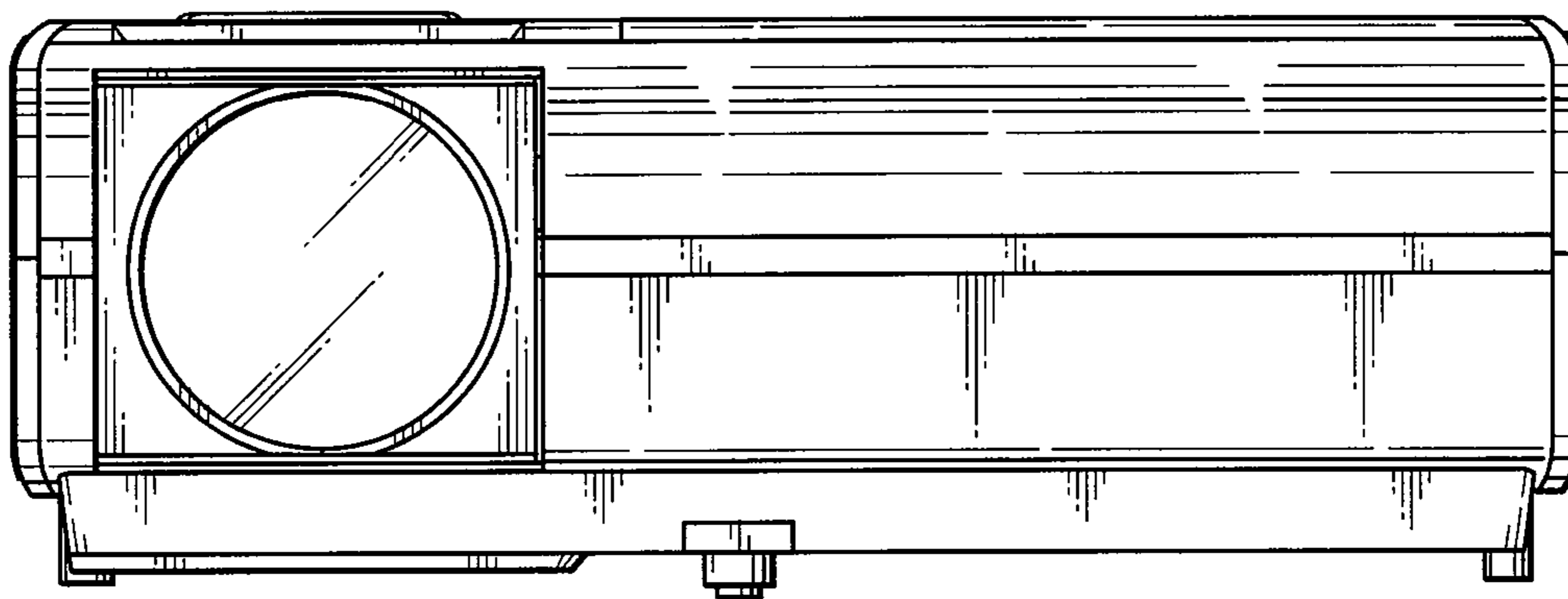


FIG. 9