



US00D564564S

(12) **United States Design Patent**  
**Inada et al.**

(10) **Patent No.:** **US D564,564 S**  
(45) **Date of Patent:** **\*\* Mar. 18, 2008**

(54) **PROJECTOR**

(75) Inventors: **Toshiya Inada**, Nagoya (JP); **Mitsuko Ogawa**, Nagoya (JP)

(73) Assignee: **Brother Industries, Ltd.**, Nagoya (JP)

(\*\*) Term: **14 Years**

(21) Appl. No.: **29/261,330**

(22) Filed: **Jun. 13, 2006**

(30) **Foreign Application Priority Data**

Dec. 13, 2005 (JP) ..... 2005-036721

(51) **LOC (8) Cl.** ..... **16-02**

(52) **U.S. Cl.** ..... **D16/225**

(58) **Field of Classification Search** ..... D16/221,  
D16/225, 230, 231, 234; D21/514; 353/74,  
353/79, 115, 119, 122

See application file for complete search history.

(56) **References Cited**

U.S. PATENT DOCUMENTS

5,639,151 A \* 6/1997 McNelley et al. .... 353/98  
7,241,017 B2 \* 7/2007 Ariyoshi ..... 353/79  
2003/0117586 A1 \* 6/2003 Beckett et al. .... 353/7

2004/0057024 A1 \* 3/2004 Nishio et al. .... 353/94  
2004/0068736 A1 \* 4/2004 Lafon et al. .... 725/1  
2004/0109145 A1 \* 6/2004 Nishio et al. .... 353/94  
2005/0030494 A1 \* 2/2005 Kumai ..... 353/119  
2005/0219204 A1 \* 10/2005 Huddleston et al. .... 345/156  
2006/0087627 A1 \* 4/2006 Furumi ..... 353/119  
2006/0203208 A1 \* 9/2006 Thielman et al. .... 353/74

\* cited by examiner

*Primary Examiner*—Ian Simmons

*Assistant Examiner*—Wan Laymon

(74) *Attorney, Agent, or Firm*—Oliff & Berridge, PLC

(57) **CLAIM**

The ornamental design for a projector, as shown and described.

**DESCRIPTION**

FIG. 1 is a perspective view of a projector;

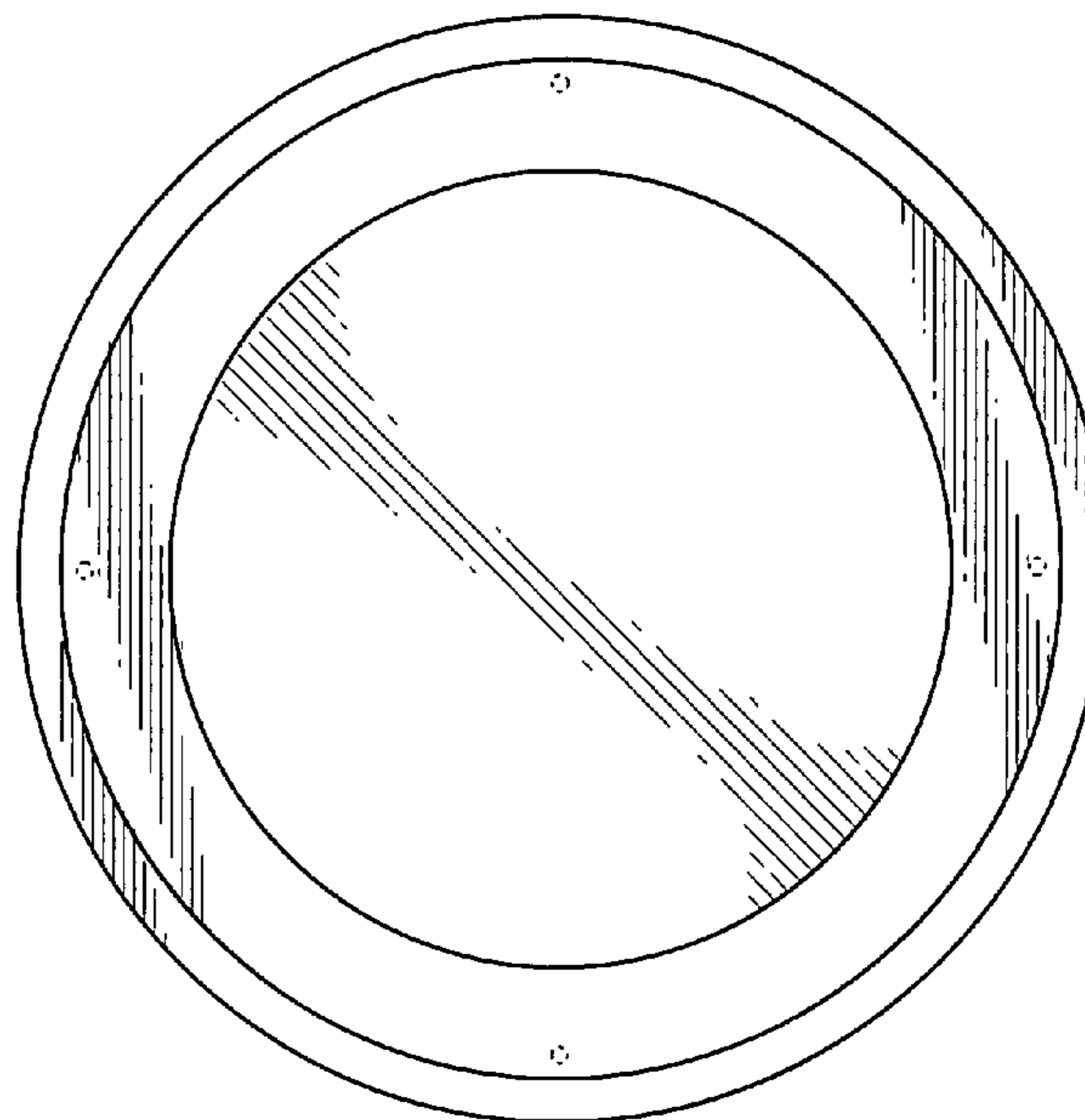
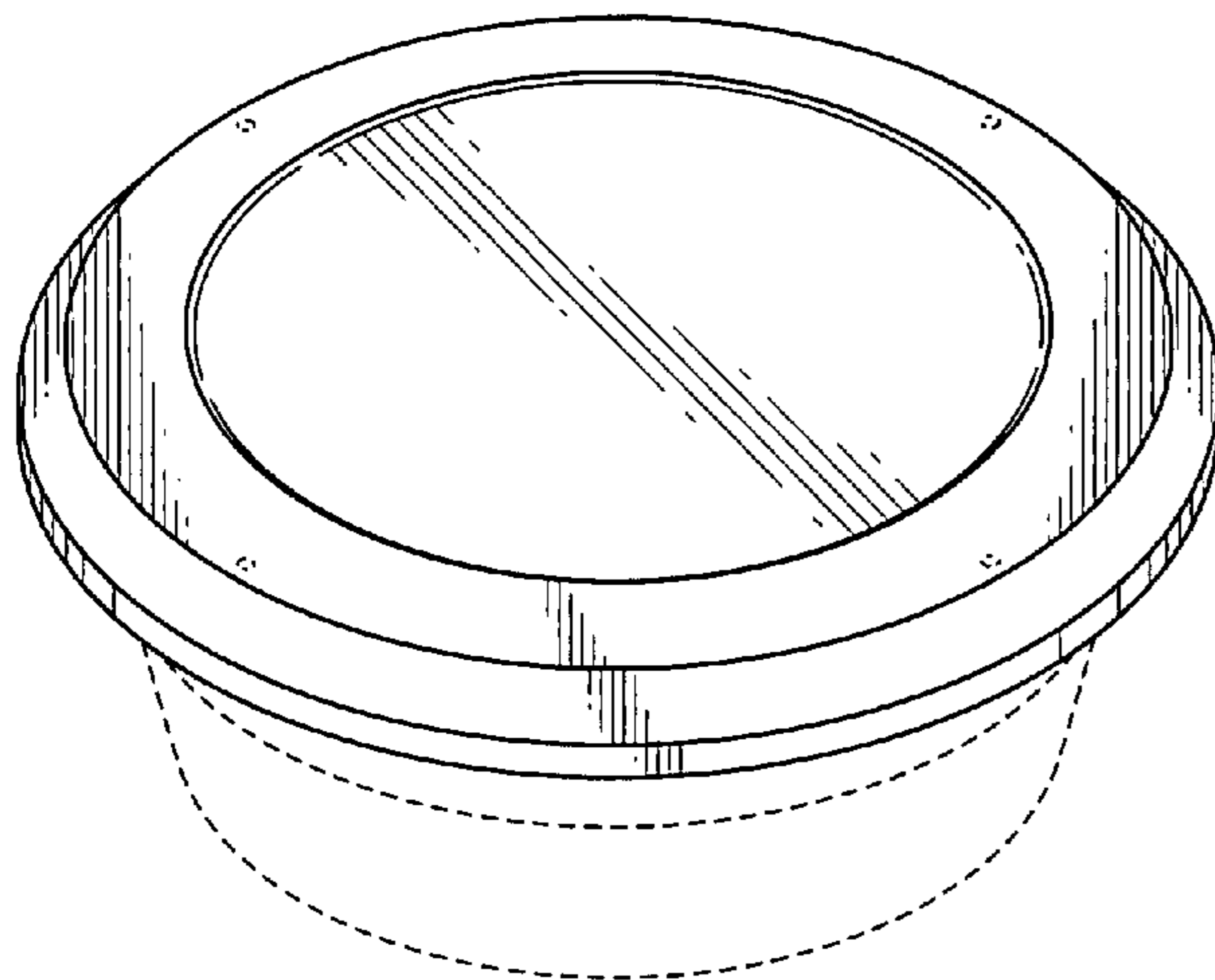
FIG. 2 is a front view thereof, the right side view, the left side view and the rear view being the same;

FIG. 3 is a top view thereof; and,

FIG. 4 is a bottom view thereof.

The broken lines are for illustrative purposes only and form no part of the claimed design.

**1 Claim, 3 Drawing Sheets**



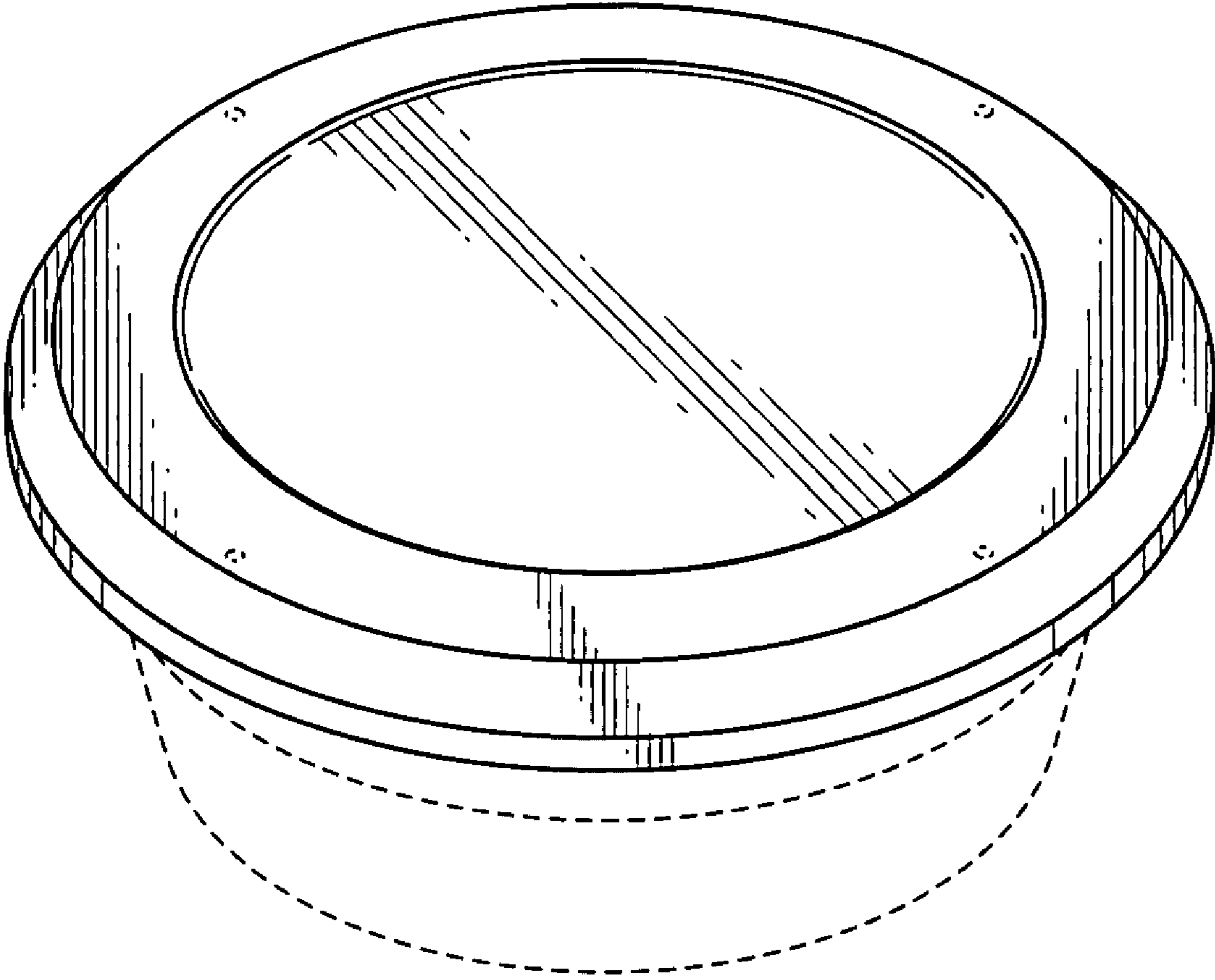


FIG. 1

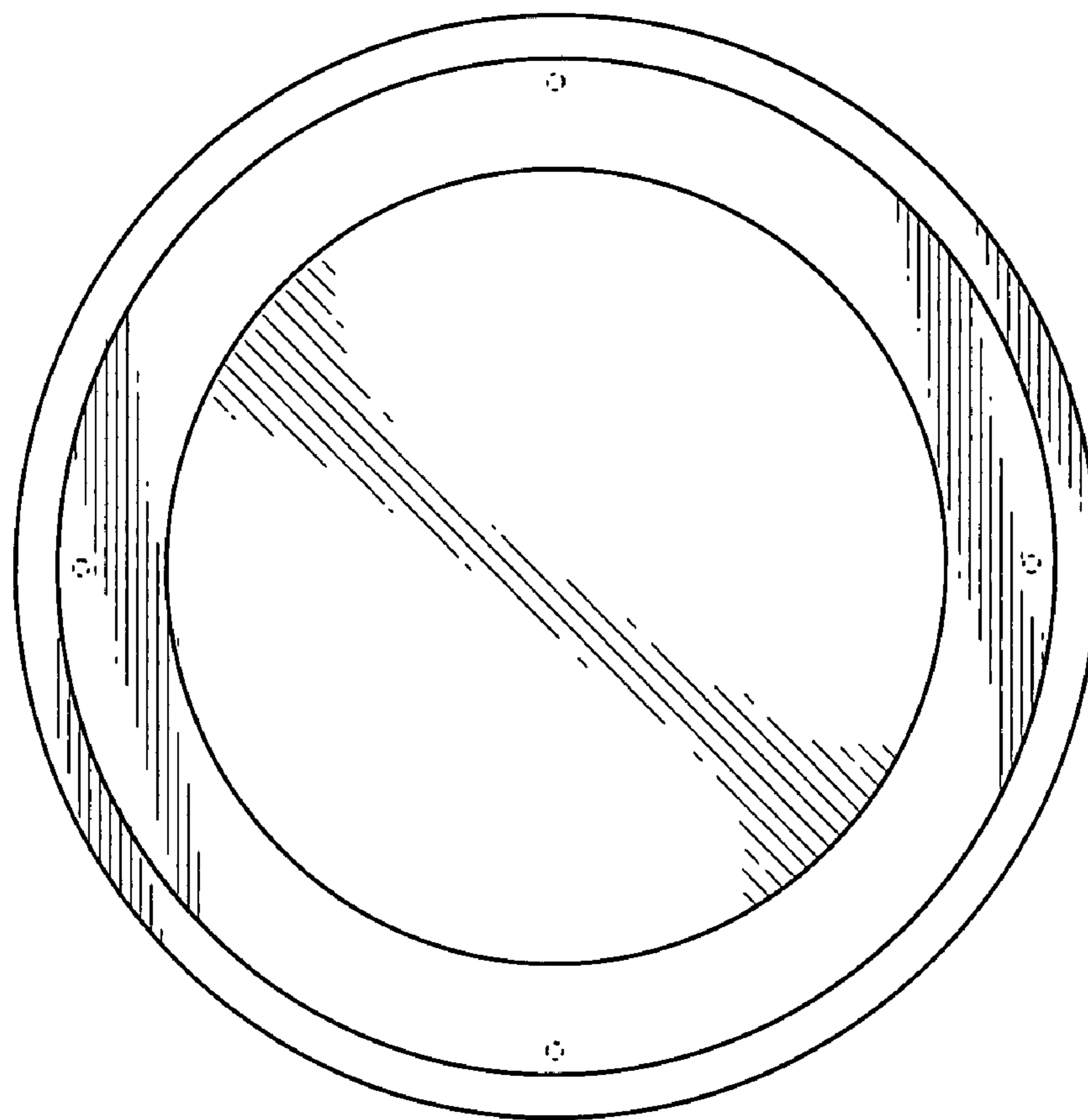


FIG. 3

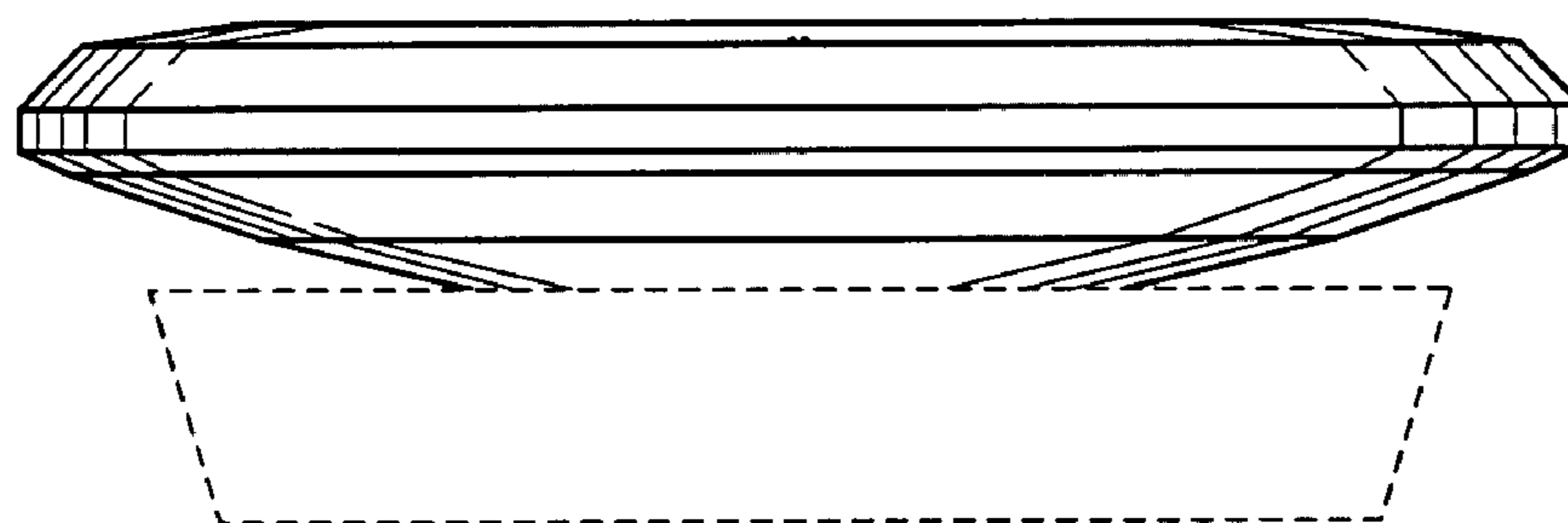


FIG. 2

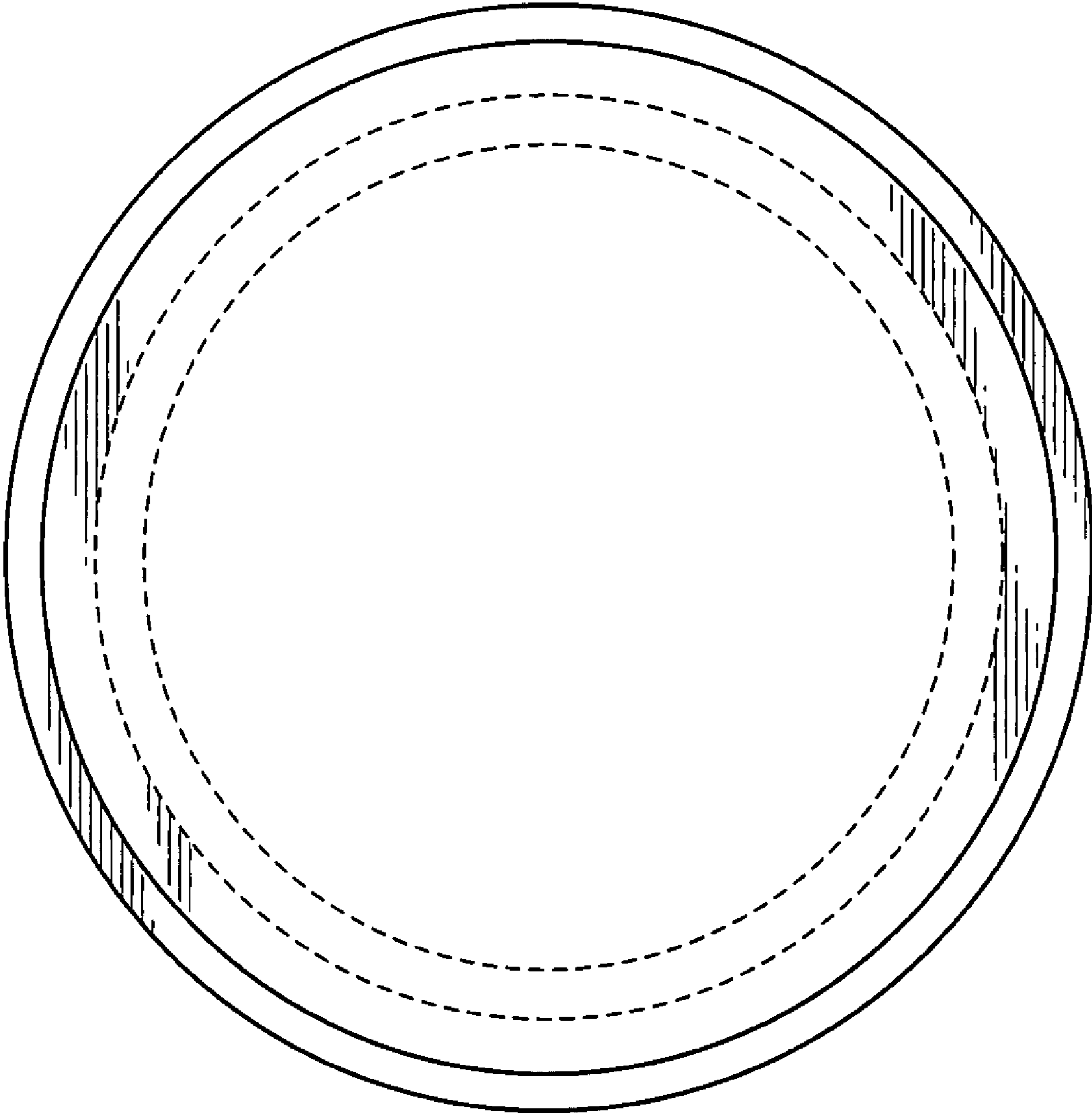


FIG. 4