



US00D564563S

(12) **United States Design Patent**  
**Kamiya et al.**

(10) **Patent No.:** **US D564,563 S**  
(45) **Date of Patent:** **\*\* Mar. 18, 2008**

(54) **DIGITAL CAMERA**

(75) Inventors: **Susumu Kamiya**, Kawasaki (JP);  
**Norihito Hanafusa**, Machida (JP)

(73) Assignee: **Casio Keisanki Kabushiki Kaisha**,  
Tokyo (JP)

(\*\*) Term: **14 Years**

(21) Appl. No.: **29/273,295**

(22) Filed: **Mar. 1, 2007**

(30) **Foreign Application Priority Data**

Nov. 9, 2006 (JP) ..... 2006-030754

(51) **LOC (8) Cl.** ..... **16-01**

(52) **U.S. Cl.** ..... **D16/219; D16/202**

(58) **Field of Classification Search** ..... D16/200–206,  
D16/208, 217–219; 348/373–376; 358/906,  
358/909.1; 396/535–541

See application file for complete search history.

(56) **References Cited**

**U.S. PATENT DOCUMENTS**

D430,186 S *	8/2000	Suzuki et al. ....	D16/218
D496,678 S *	9/2004	Kawase .....	D16/218
D503,418 S *	3/2005	Chao et al. ....	D16/202
D508,711 S *	8/2005	Suzuki .....	D16/218
D510,746 S *	10/2005	Imai .....	D16/212
D512,450 S *	12/2005	Jinde .....	D16/202
D519,142 S *	4/2006	Meguro .....	D16/202
D519,539 S *	4/2006	Takagi .....	D16/202
D520,547 S *	5/2006	Yanagisawa et al. ....	D16/202
D521,043 S *	5/2006	Takagi .....	D16/218

D522,555 S *	6/2006	Choi .....	D16/202
D524,348 S *	7/2006	Nagayama et al. ....	D16/219
D527,403 S *	8/2006	Byun et al. ....	D16/202
D528,579 S *	9/2006	Yasutomi .....	D16/202
D532,810 S *	11/2006	Kim .....	D16/219
D533,576 S *	12/2006	Martres et al. ....	D16/218
D543,227 S *	5/2007	Hayashi .....	D16/219
D550,746 S *	9/2007	Inaba .....	D16/219

\* cited by examiner

*Primary Examiner*—Ian Simmons

*Assistant Examiner*—Wan Laymon

(74) *Attorney, Agent, or Firm*—Frishauf, Holtz, Goodman & Chick, P.C.

(57) **CLAIM**

The ornamental design for a digital camera, as shown and described.

**DESCRIPTION**

FIG. 1 is a front, right side, top perspective view of a digital camera showing our new design;

FIG. 2 is a front elevational view thereof;

FIG. 3 is a rear elevational view thereof;

FIG. 4 is a left side view thereof;

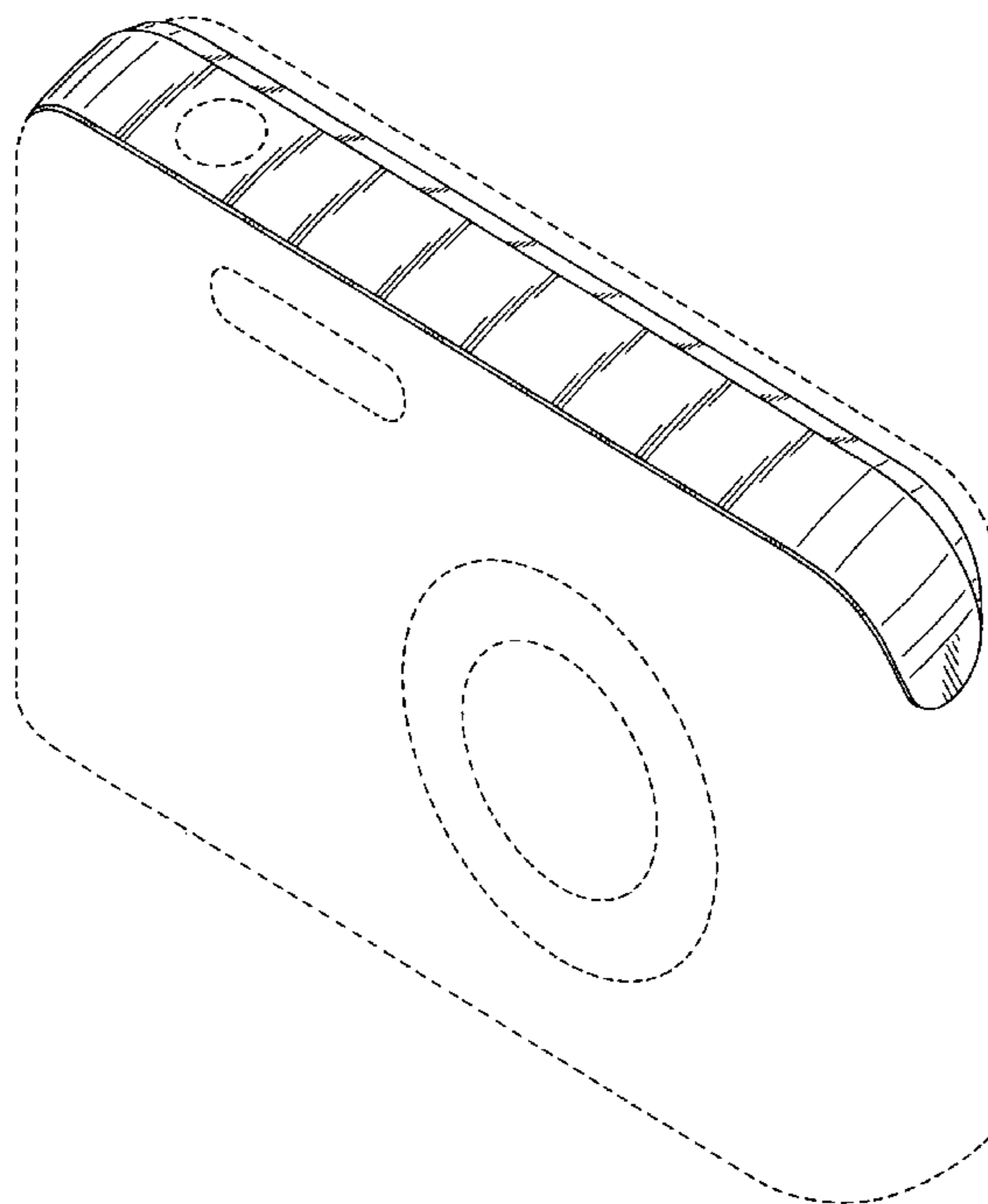
FIG. 5 is a right side view thereof;

FIG. 6 is a top plan view thereof; and,

FIG. 7 is a bottom plan view thereof.

The portions of the digital camera in broken lines are shown for illustrative purposes only and form no part of the claimed design.

**1 Claim, 6 Drawing Sheets**



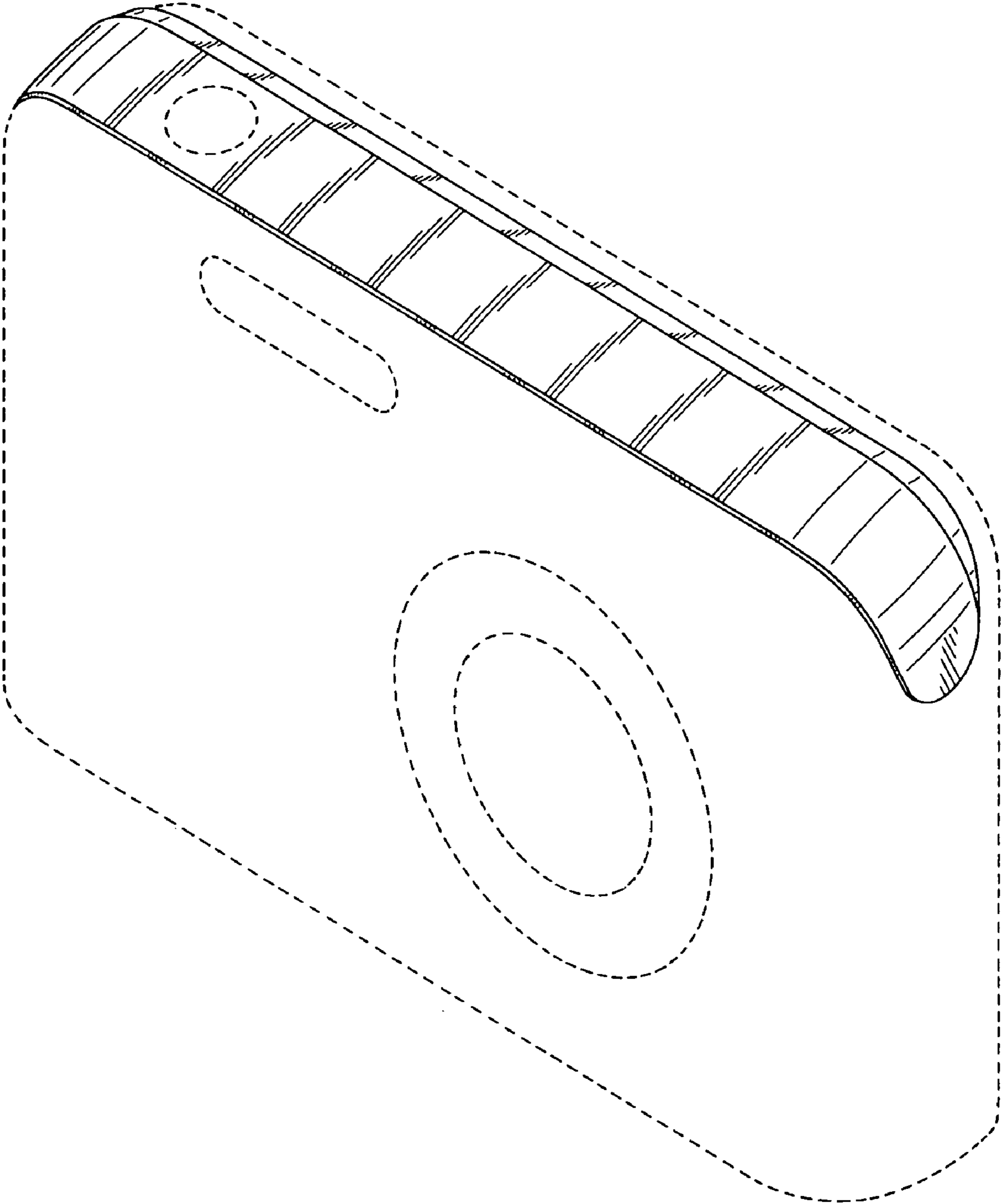


FIG. 1

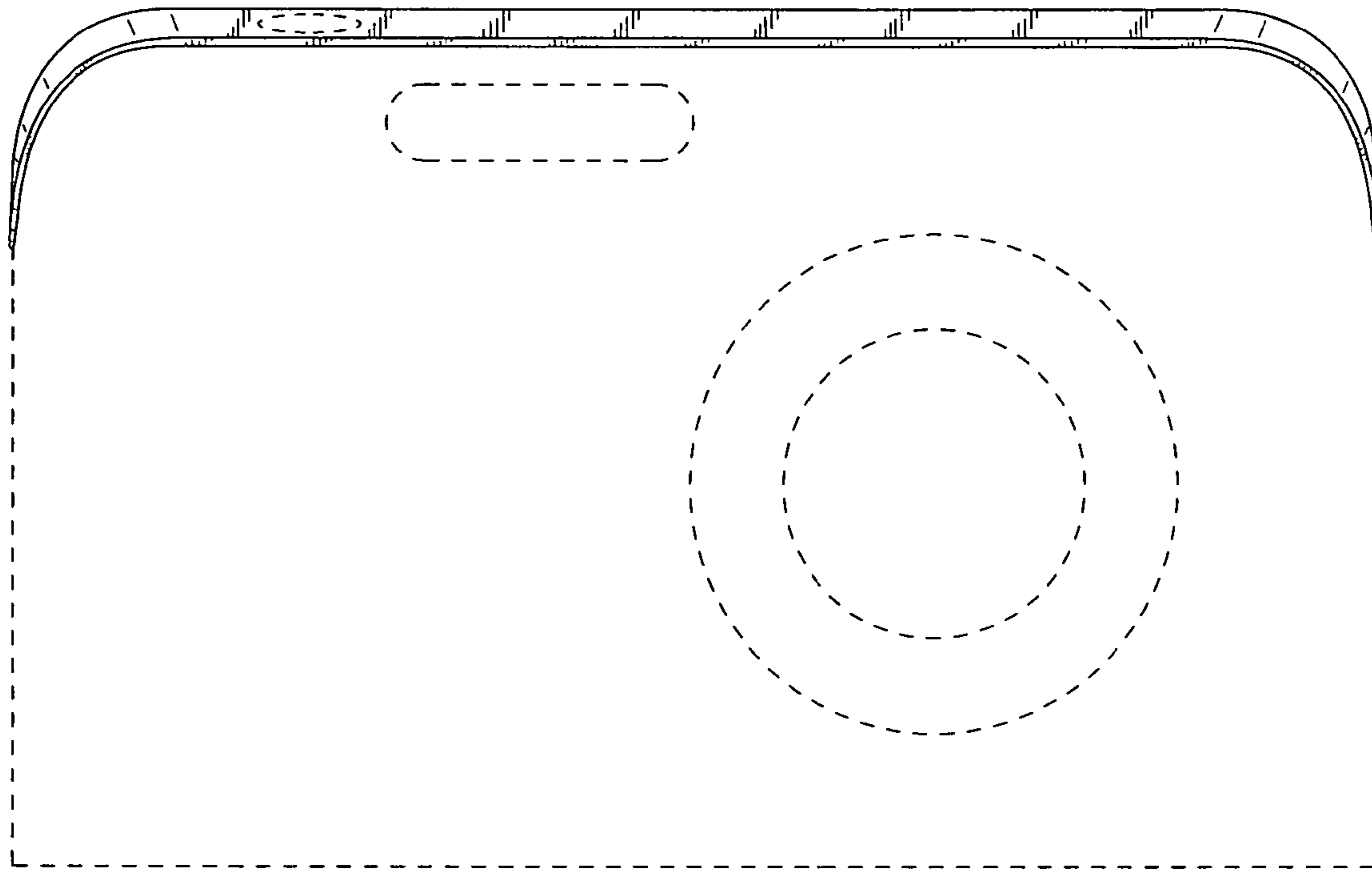


FIG. 2

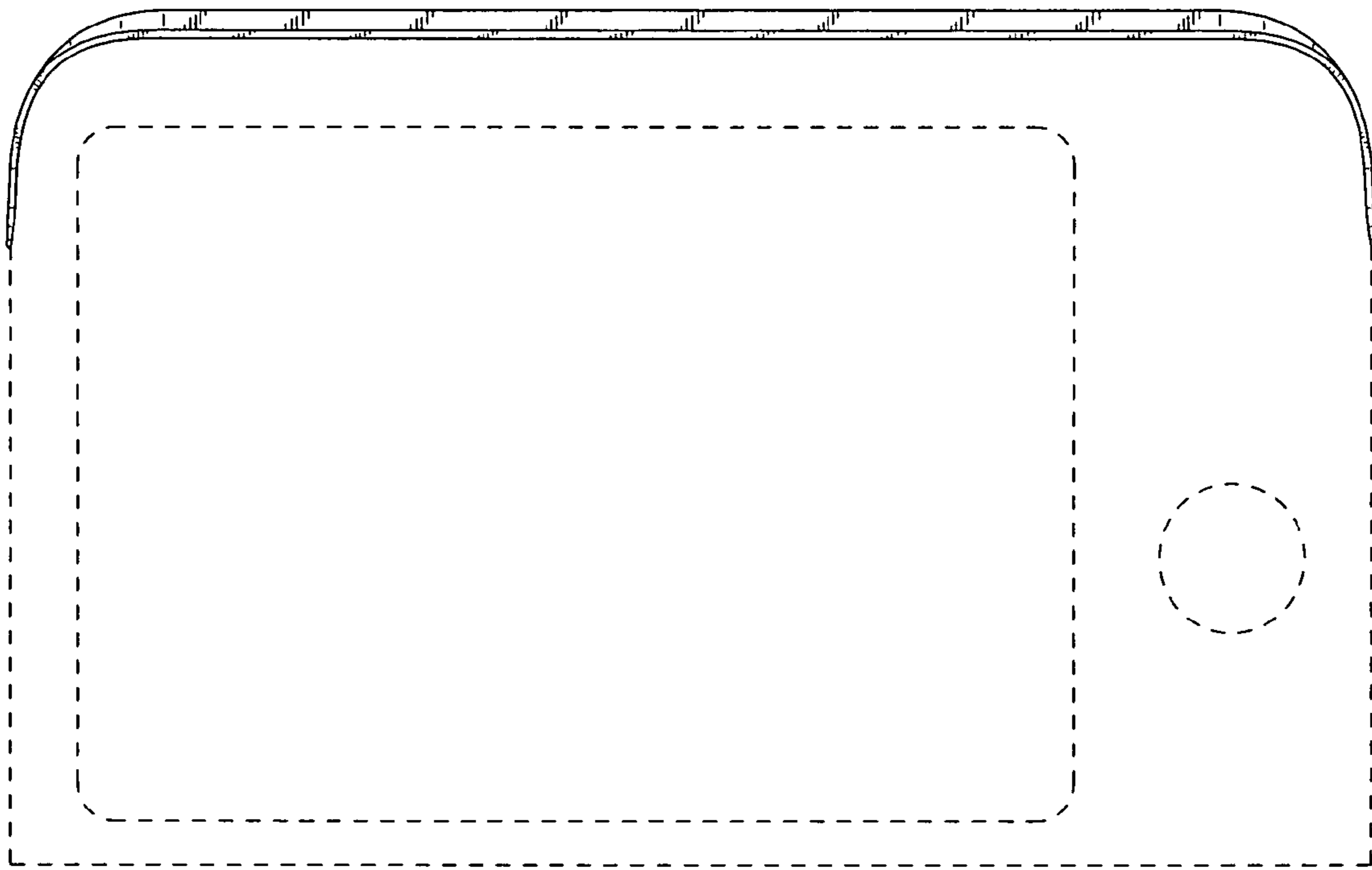


FIG. 3

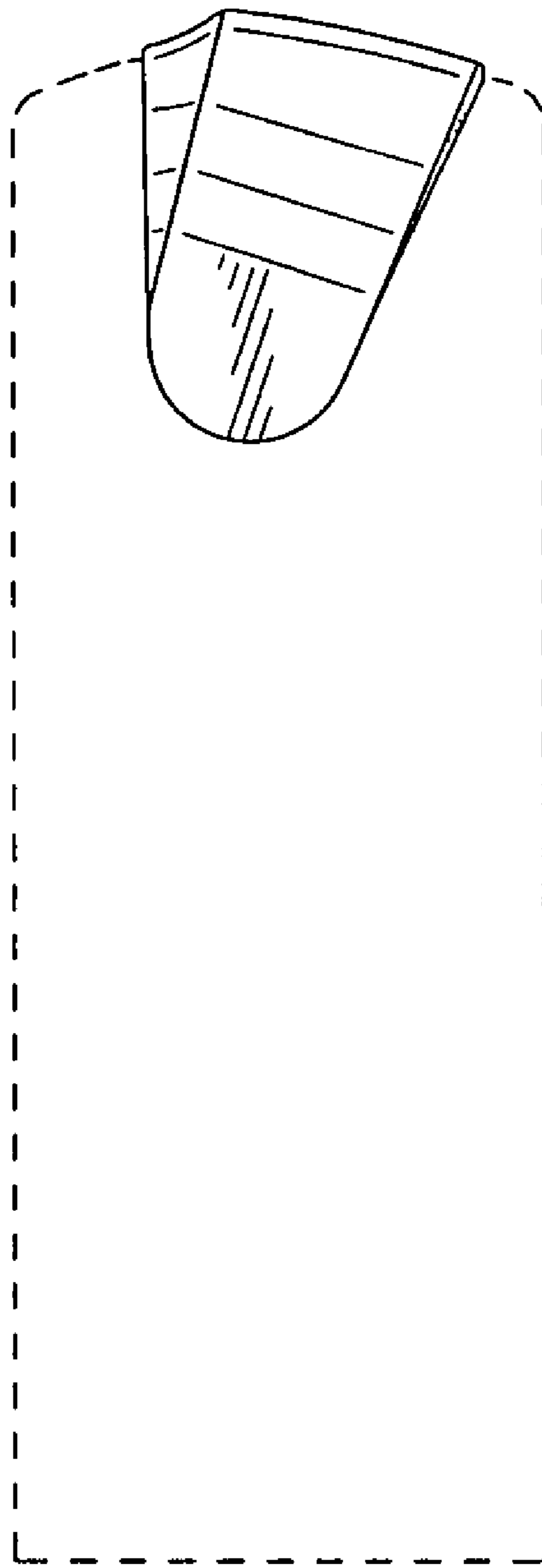


FIG. 4

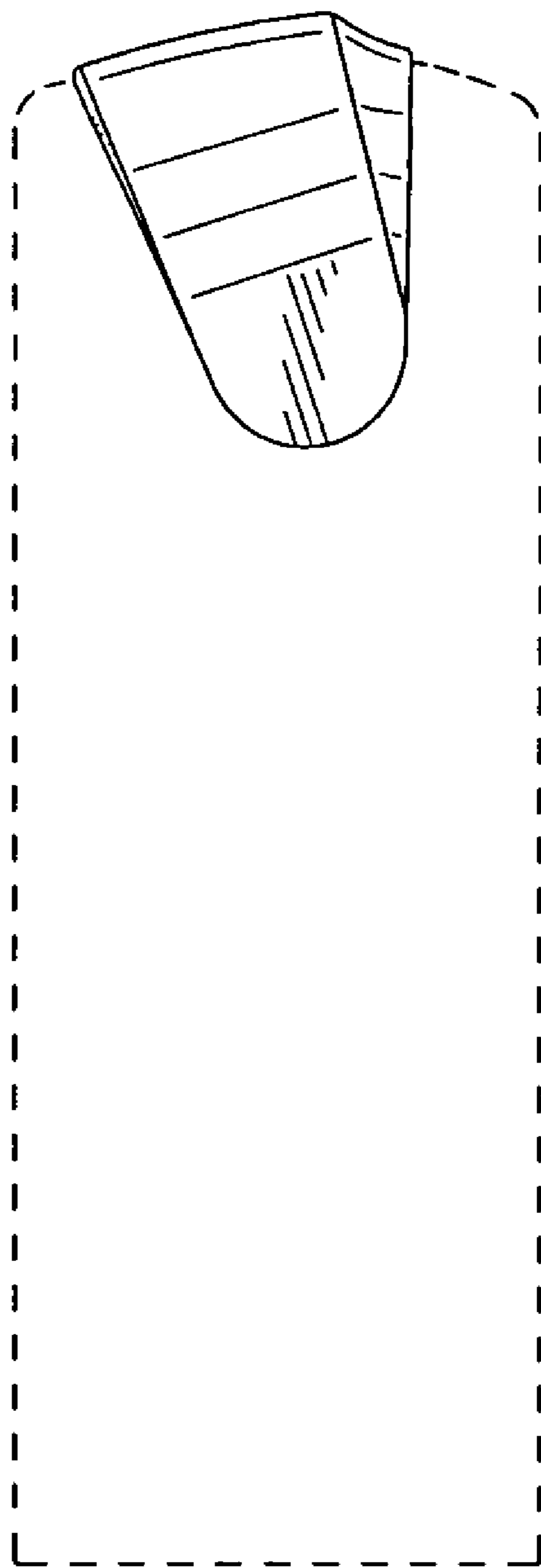


FIG. 5

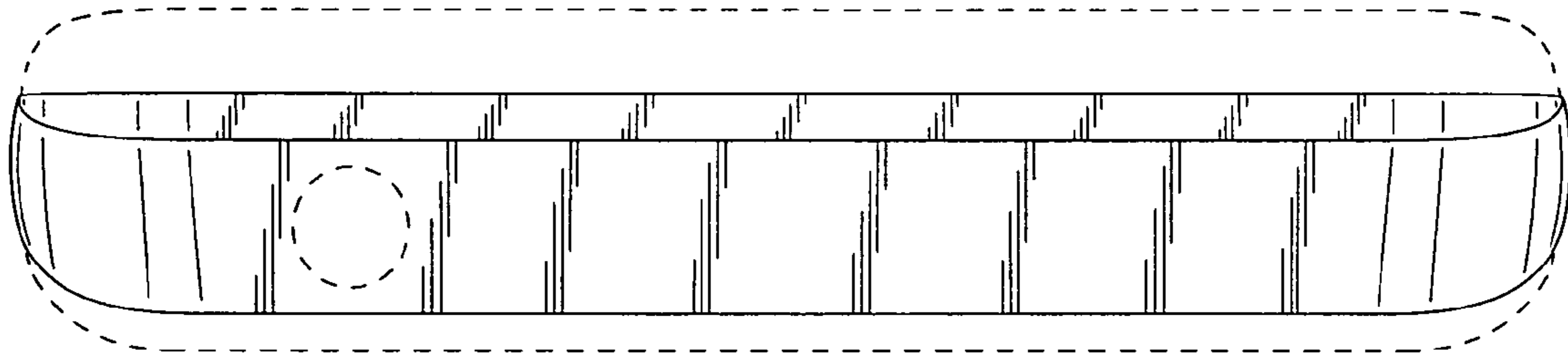


FIG. 6



FIG. 7