

US00D564562S

(12) **United States Design Patent**  
**Honma et al.**

(10) **Patent No.:** **US D564,562 S**  
(45) **Date of Patent:** **\*\* Mar. 18, 2008**

(54) **CAMERA MODULE**

(75) Inventors: **Toshihiko Honma**, Yamagata (JP);  
**Masayuki Itagaki**, Yamagata (JP)

(73) Assignee: **Mitsumi Electric Co., Ltd**, Tokyo (JP)

(\*\*) Term: **14 Years**

(21) Appl. No.: **29/274,125**

(22) Filed: **Mar. 29, 2007**

(30) **Foreign Application Priority Data**

Nov. 24, 2006 (JP) ..... 2006-032141

(51) **LOC (8) Cl.** ..... **16-01**

(52) **U.S. Cl.** ..... **D16/218; D16/200**

(58) **Field of Classification Search** ..... D16/200-204,  
D16/208, 218, 219; 348/373-376; 358/906,  
358/909.1; 396/535-541

See application file for complete search history.

(56) **References Cited**

**U.S. PATENT DOCUMENTS**

4,825,302 A \* 4/1989 Tezuka et al. .... 358/906  
D489,388 S \* 5/2004 Saito et al. .... D16/218  
D496,062 S \* 9/2004 Yamakami et al. .... D16/218  
D496,382 S \* 9/2004 Yamakami et al. .... D16/218

D510,376 S \* 10/2005 Yamakami ..... D16/218  
D511,182 S \* 11/2005 Kato ..... D16/218  
D515,610 S \* 2/2006 Yamakami ..... D16/218  
7,215,374 B2 \* 5/2007 Why et al. .... 348/374  
7,227,577 B2 \* 6/2007 Tanida et al. .... 348/374  
D549,658 S \* 8/2007 Asai et al. .... D13/147

\* cited by examiner

*Primary Examiner*—Adir Aronovich

(74) *Attorney, Agent, or Firm*—Sughrue Mion, PLLC

(57) **CLAIM**

The ornamental design for a camera module, as shown.

**DESCRIPTION**

FIG. 1 is a perspective view of the top, front and right side of a camera module showing our new design;

FIG. 2 is a front elevational view thereof;

FIG. 3 is a rear elevational view thereof;

FIG. 4 is a right side elevational view thereof;

FIG. 5 is a left side elevational view thereof;

FIG. 6 is a top plan view thereof;

FIG. 7 is a bottom plan view thereof; and,

FIG. 8 is a perspective view of the top, front and left side thereof.

**1 Claim, 6 Drawing Sheets**

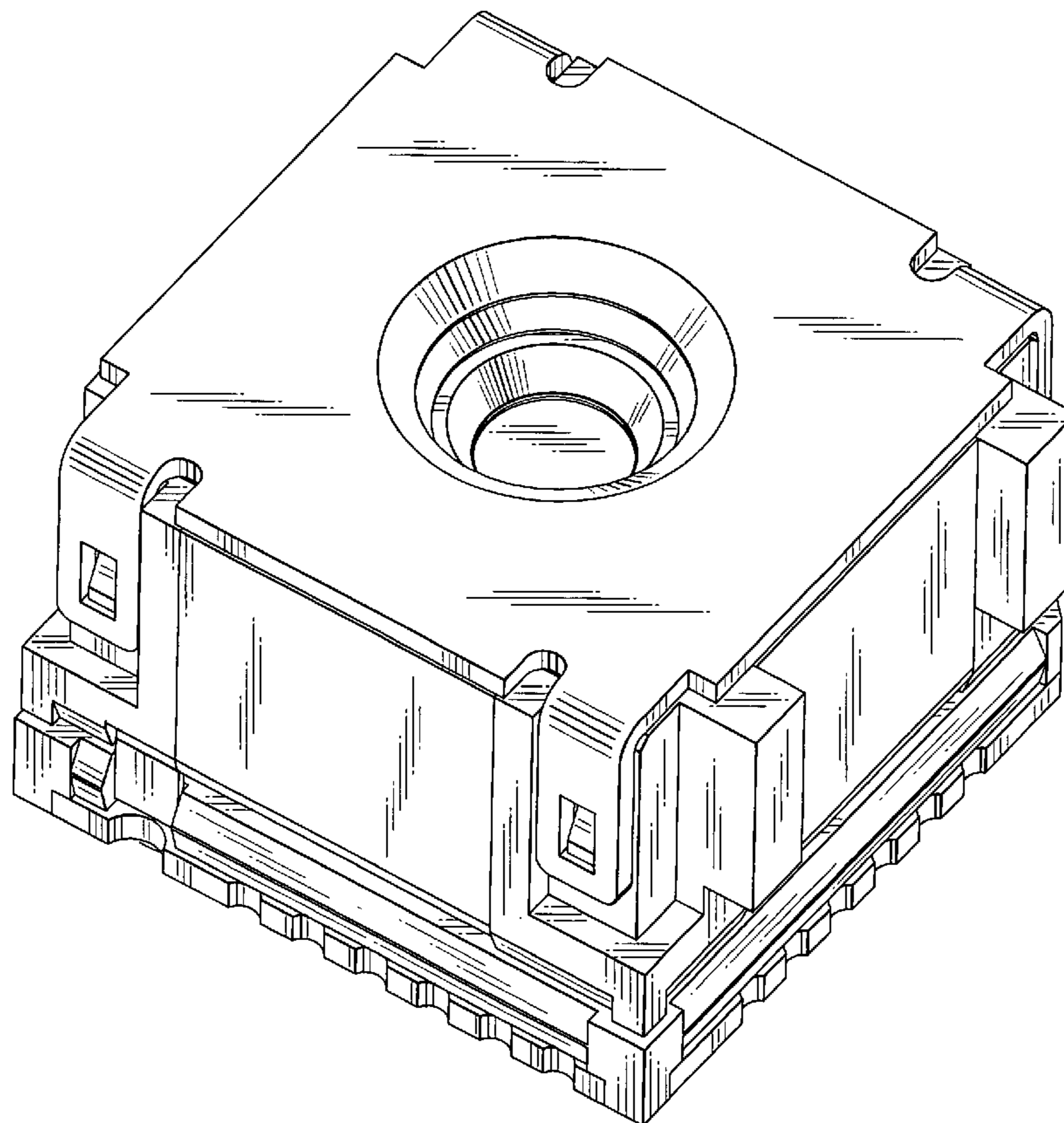


FIG.1

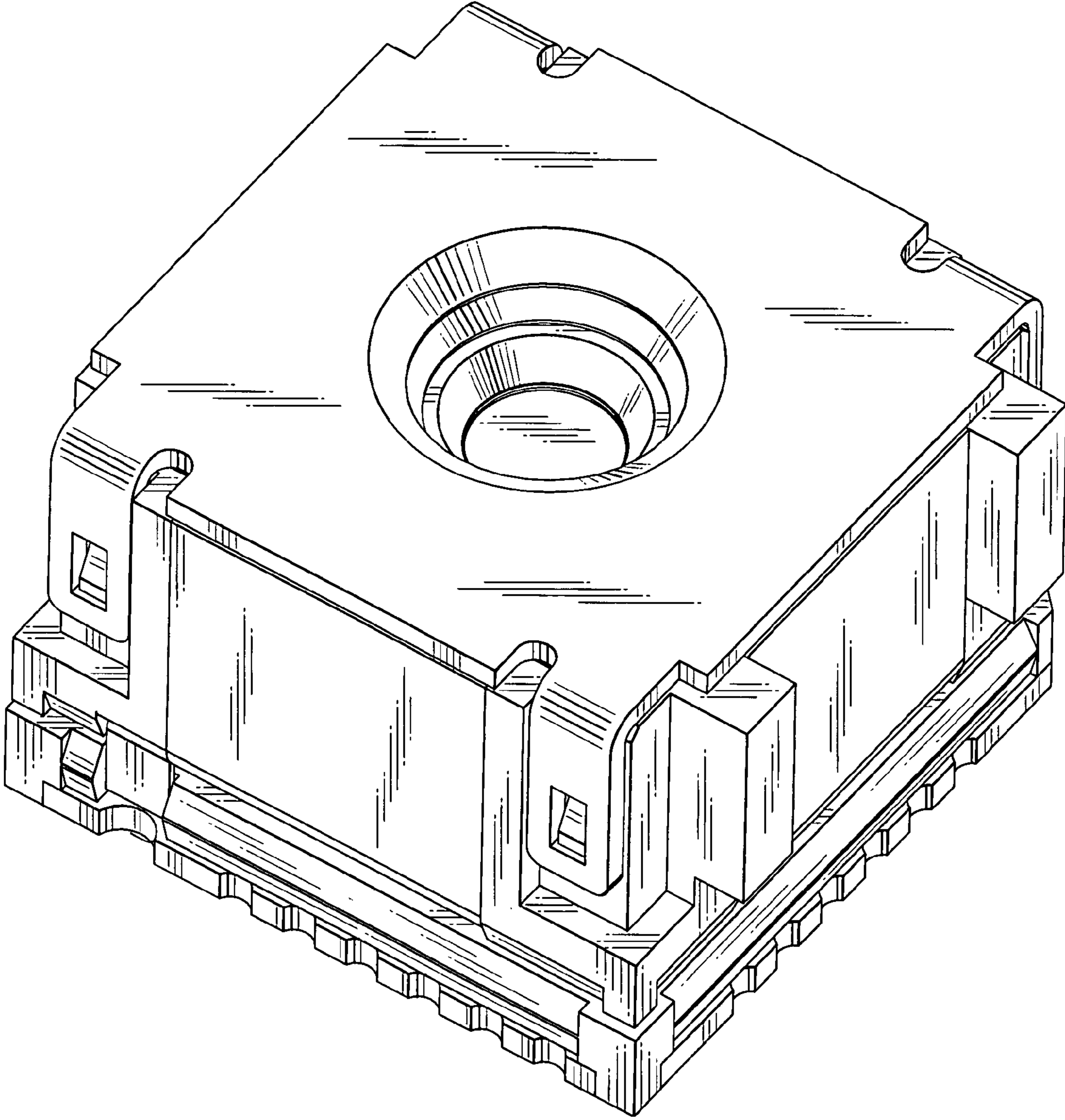


FIG.2

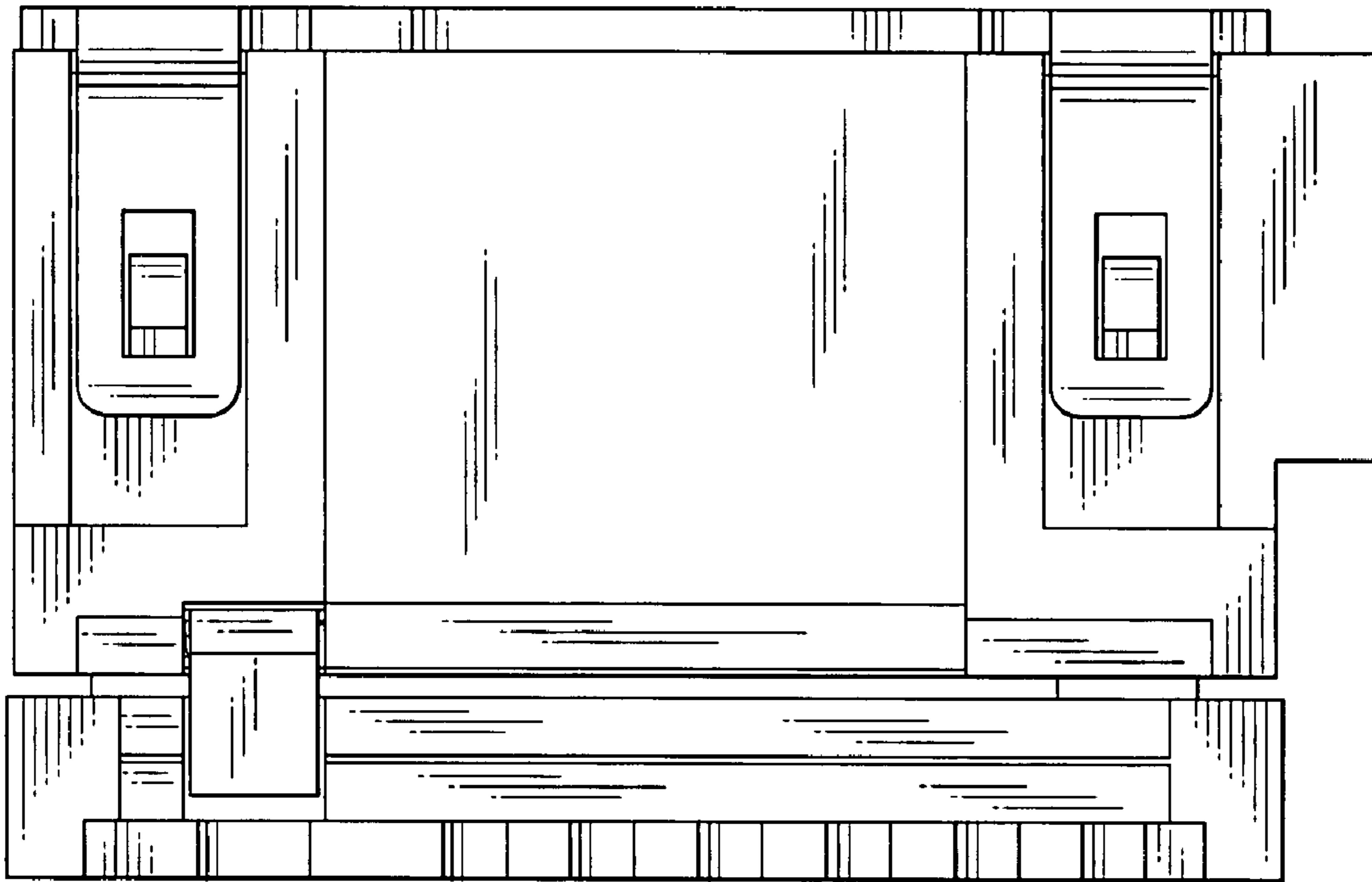


FIG.3

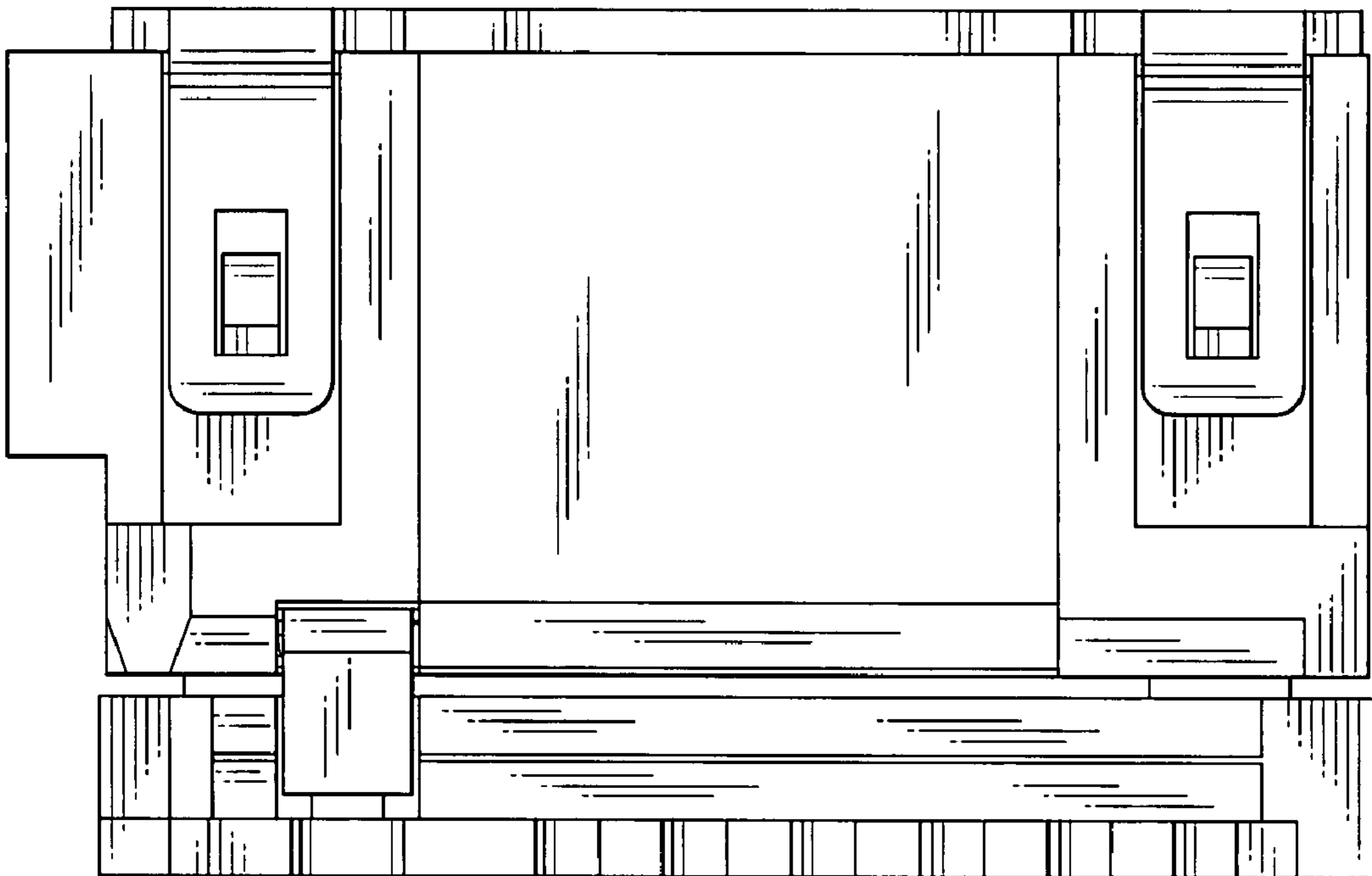


FIG.4

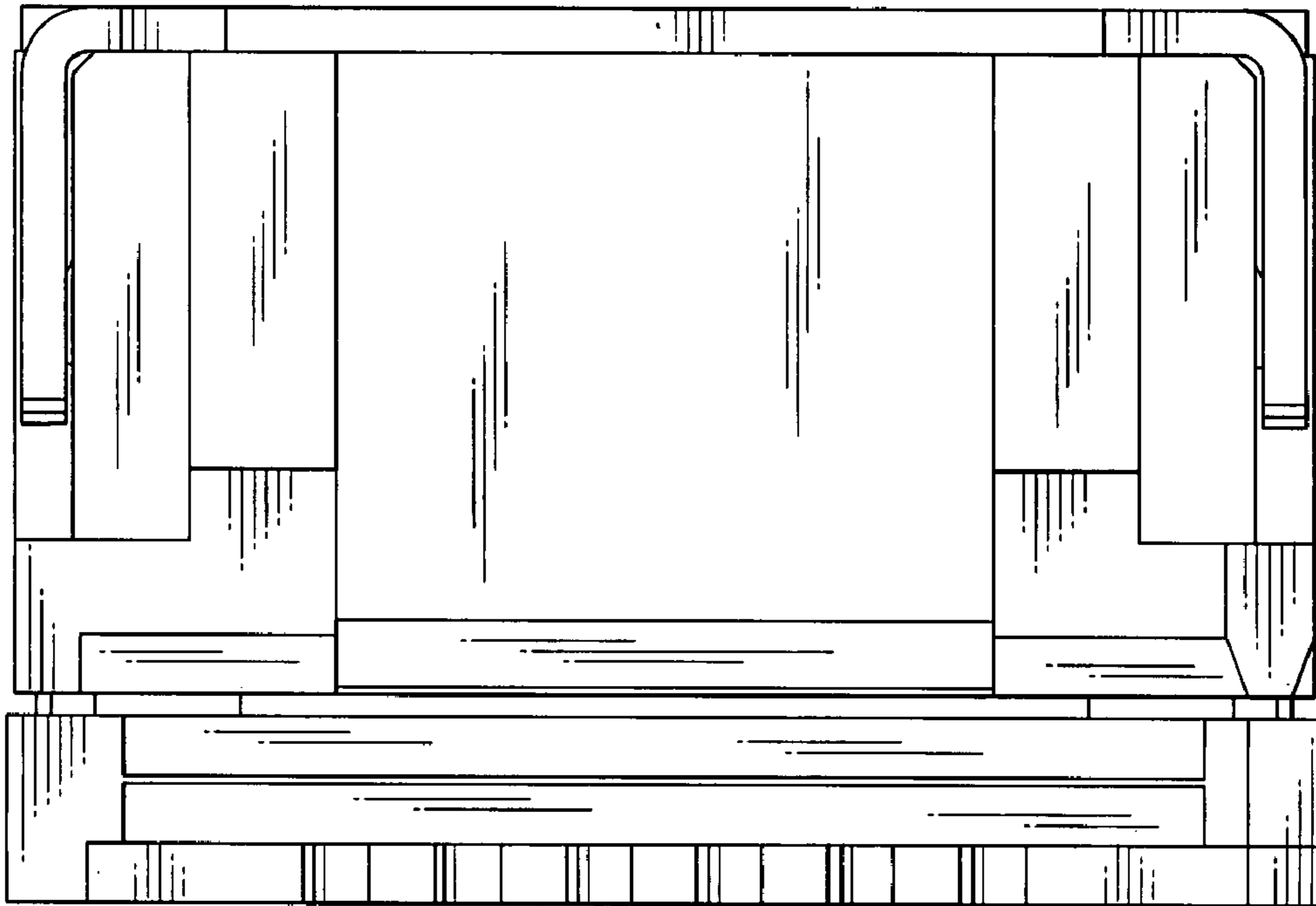


FIG.5

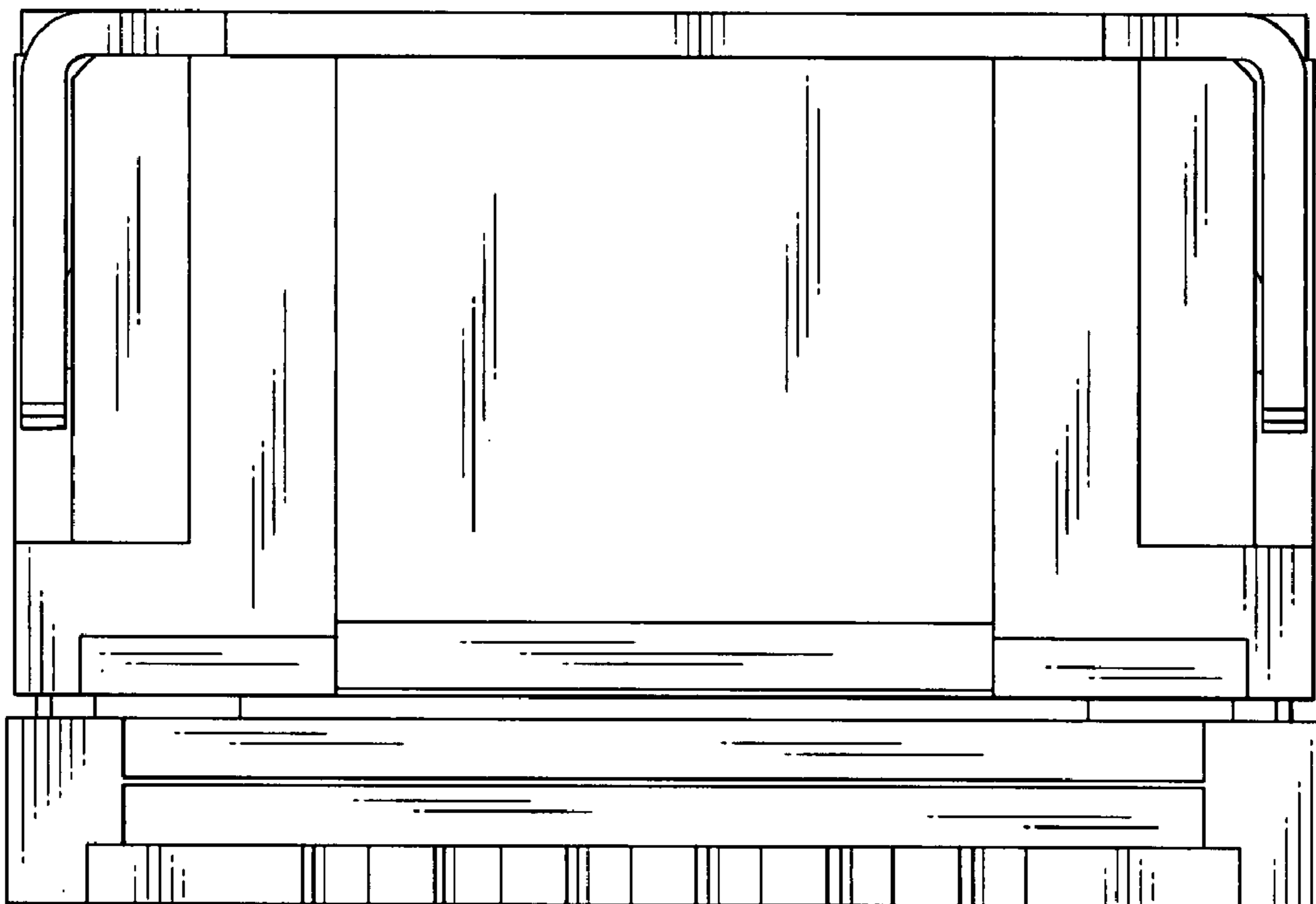


FIG.6

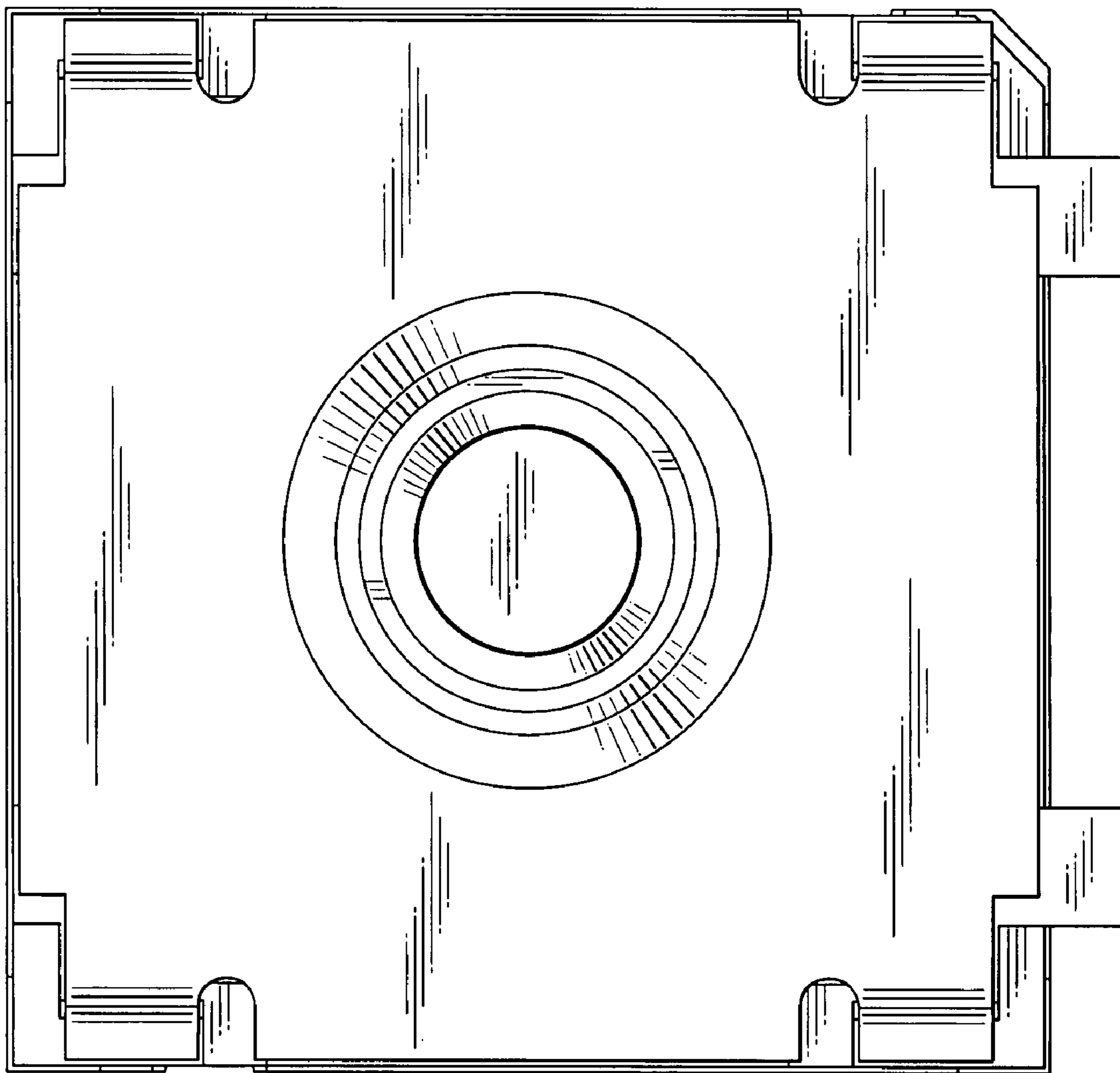


FIG. 7

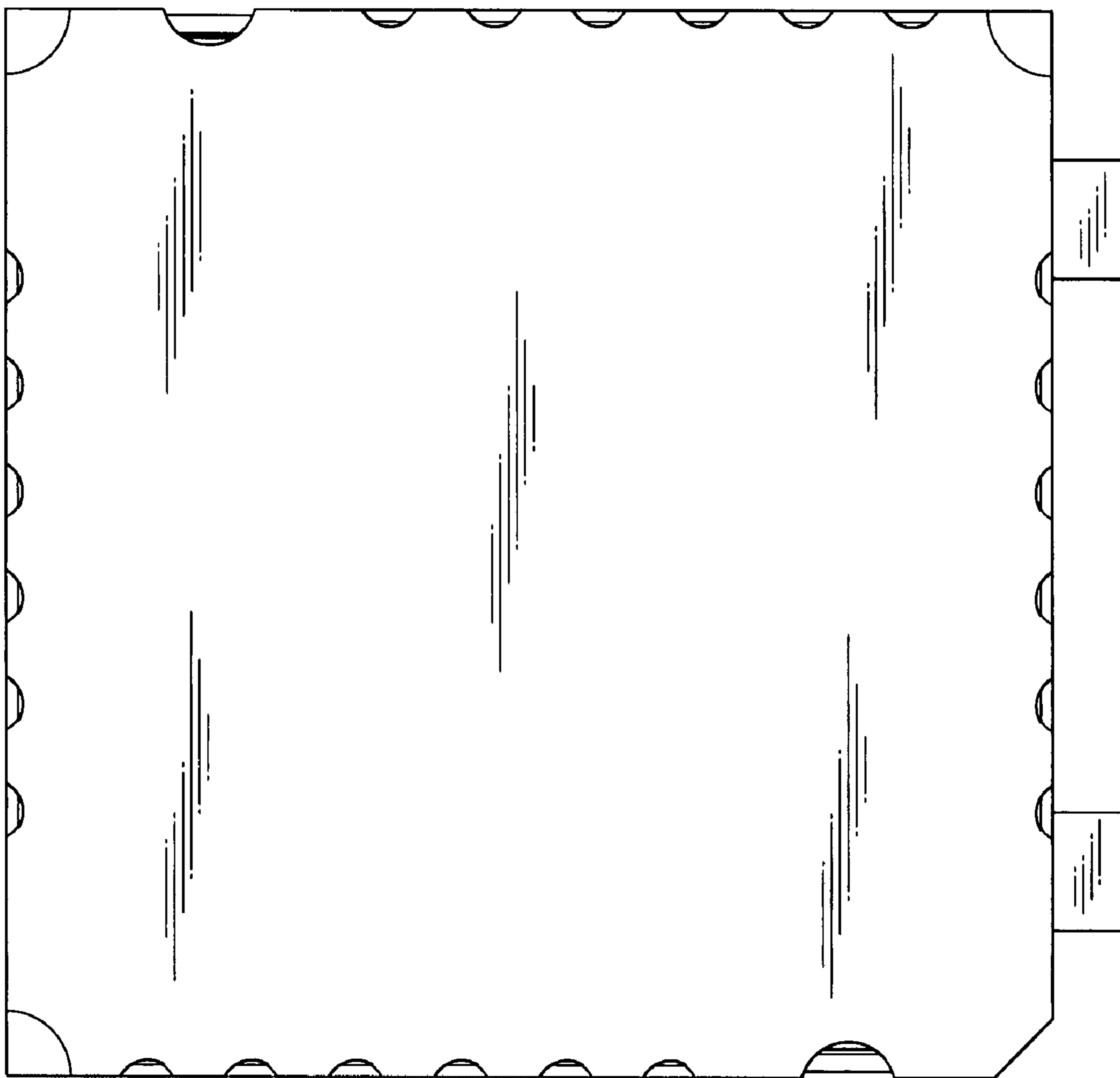


FIG.8

