

US00D564561S

(12) **United States Design Patent**  
**Takahashi**

(10) **Patent No.:** **US D564,561 S**  
(45) **Date of Patent:** **\*\* Mar. 18, 2008**

(54) **SINGLE-LENS REFLEX DIGITAL CAMERA BODY**

(75) Inventor: **Jun Takahashi**, Hachioji (JP)

(73) Assignee: **Olympus Imaging Corp.**, Tokyo (JP)

(\*\*) Term: **14 Years**

(21) Appl. No.: **29/271,941**

(22) Filed: **Jan. 29, 2007**

(30) **Foreign Application Priority Data**

Jan. 22, 2007 (JP) ..... 2007-001073

(51) **LOC (8) Cl.** ..... **16-01**

(52) **U.S. Cl.** ..... **D16/217; D16/200**

(58) **Field of Classification Search** ..... D16/200–206,  
D16/208, 217, 218; 348/373–376; 396/176,  
396/177, 354–359, 535, 540, 541  
See application file for complete search history.

(56) **References Cited**

**U.S. PATENT DOCUMENTS**

D363,301 S \* 10/1995 Giugiaro et al. .... D16/217  
D439,922 S \* 4/2001 Kumakura ..... D16/217  
6,351,609 B1 \* 2/2002 Hosokawa et al. .... 396/177

D474,796 S \* 5/2003 Matsuda ..... D16/217  
D487,105 S \* 2/2004 Takahashi ..... D16/217  
D497,174 S \* 10/2004 Omino et al. .... D16/202  
7,182,529 B2 \* 2/2007 Kurosawa ..... 396/535

\* cited by examiner

*Primary Examiner*—Adir Aronovich

(74) *Attorney, Agent, or Firm*—Straub and Pokotylo; John C. Pokotylo

(57) **CLAIM**

The ornamental design for a single-lens reflex digital camera body, as shown and described.

**DESCRIPTION**

FIG. 1 is a front, top and right side perspective view of a single-lens reflex digital camera body showing my new design;

FIG. 2 is a front elevational view thereof;

FIG. 3 is a rear elevational view thereof;

FIG. 4 is a top plan view thereof;

FIG. 5 is a bottom plan view thereof;

FIG. 6 is a right side elevational view thereof; and,

FIG. 7 is a left side elevational view thereof.

**1 Claim, 7 Drawing Sheets**

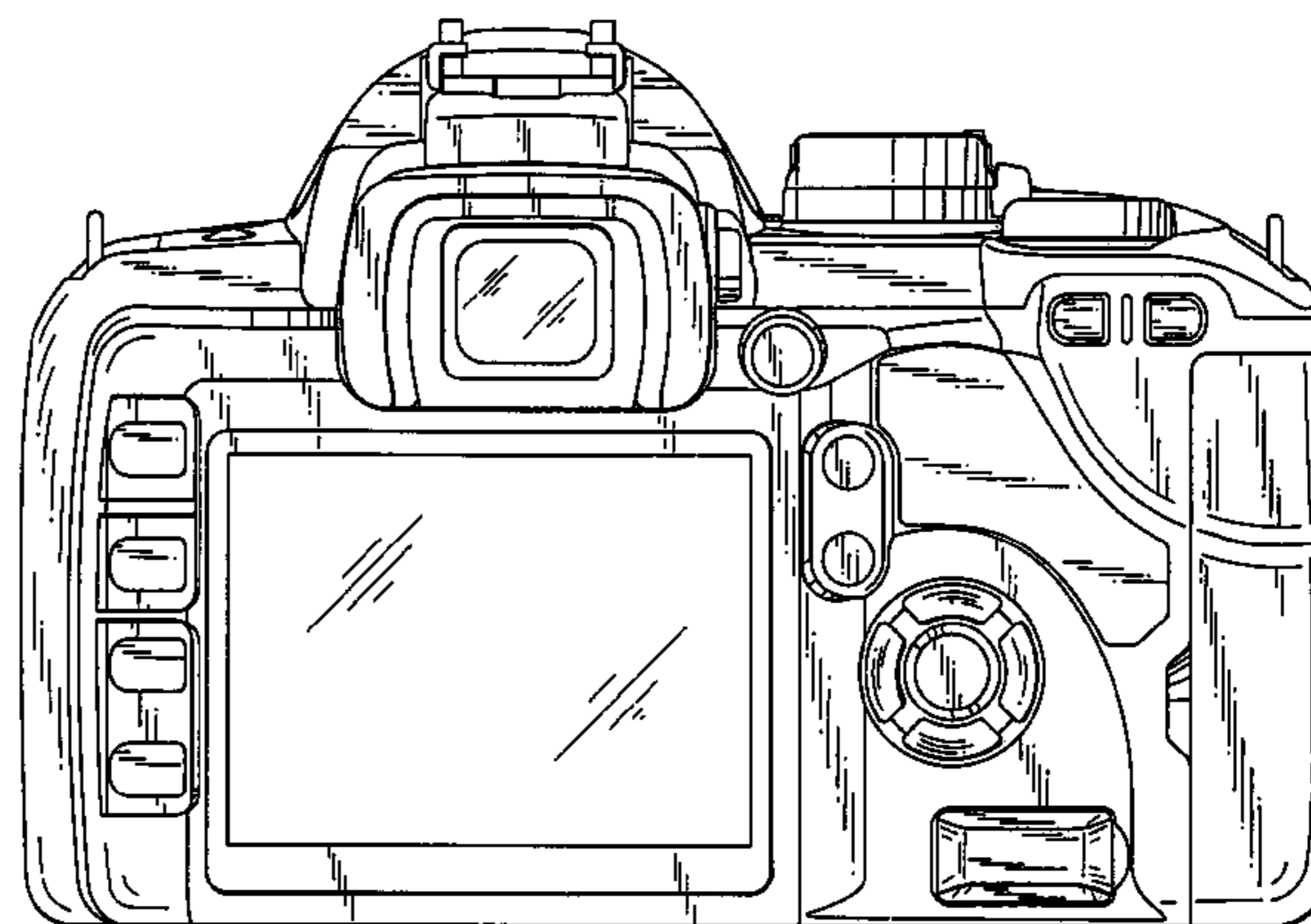
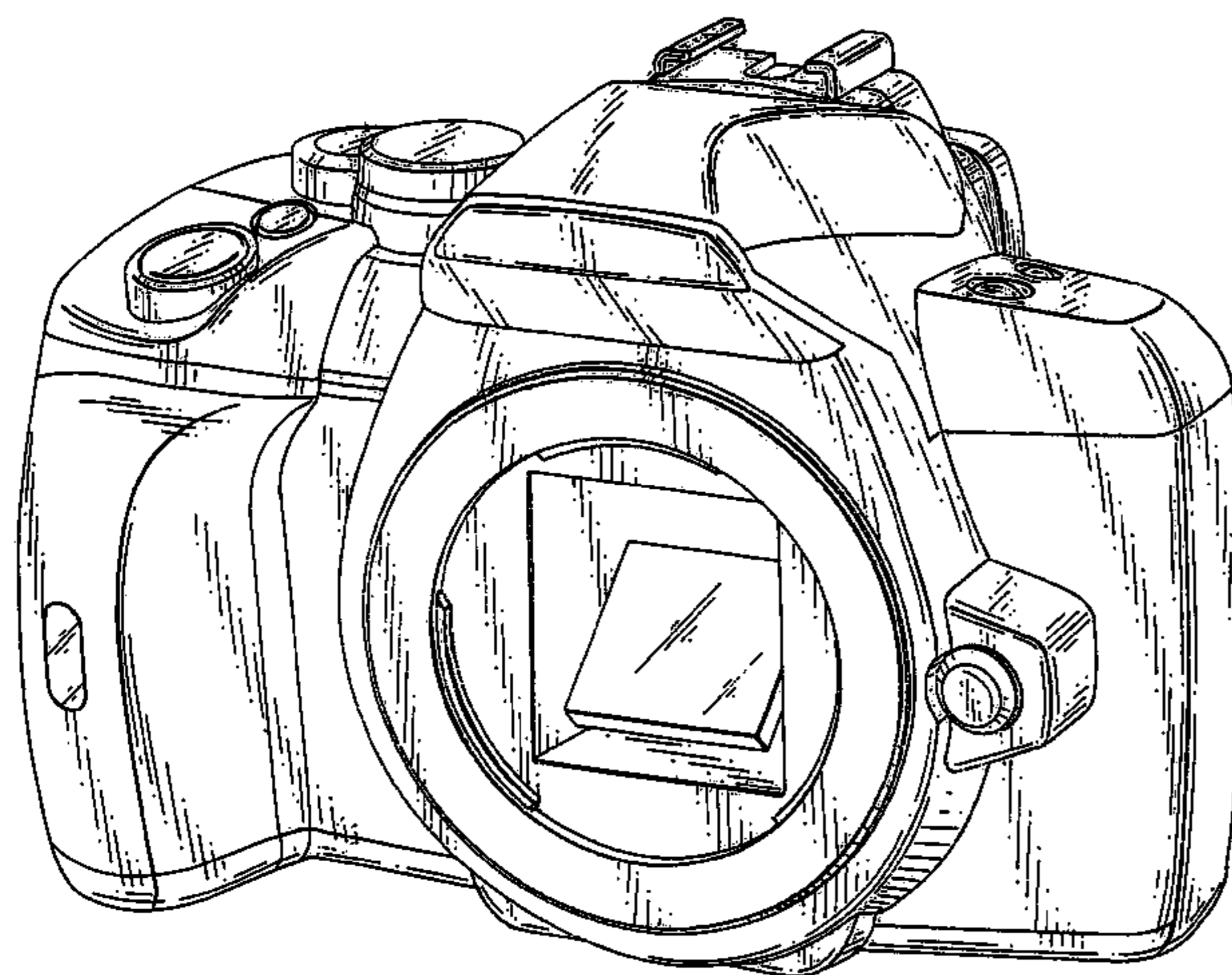


FIG.1

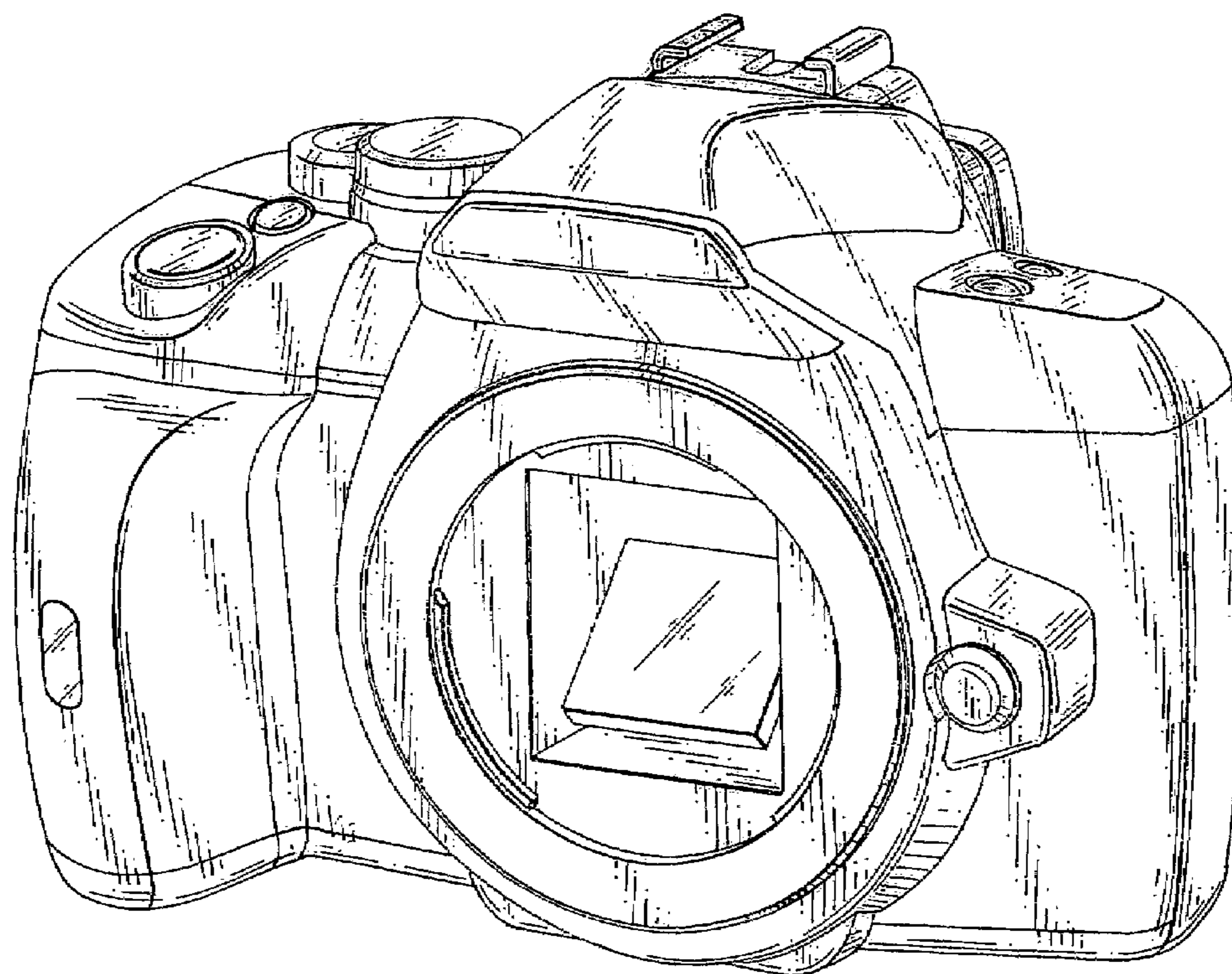


FIG.2

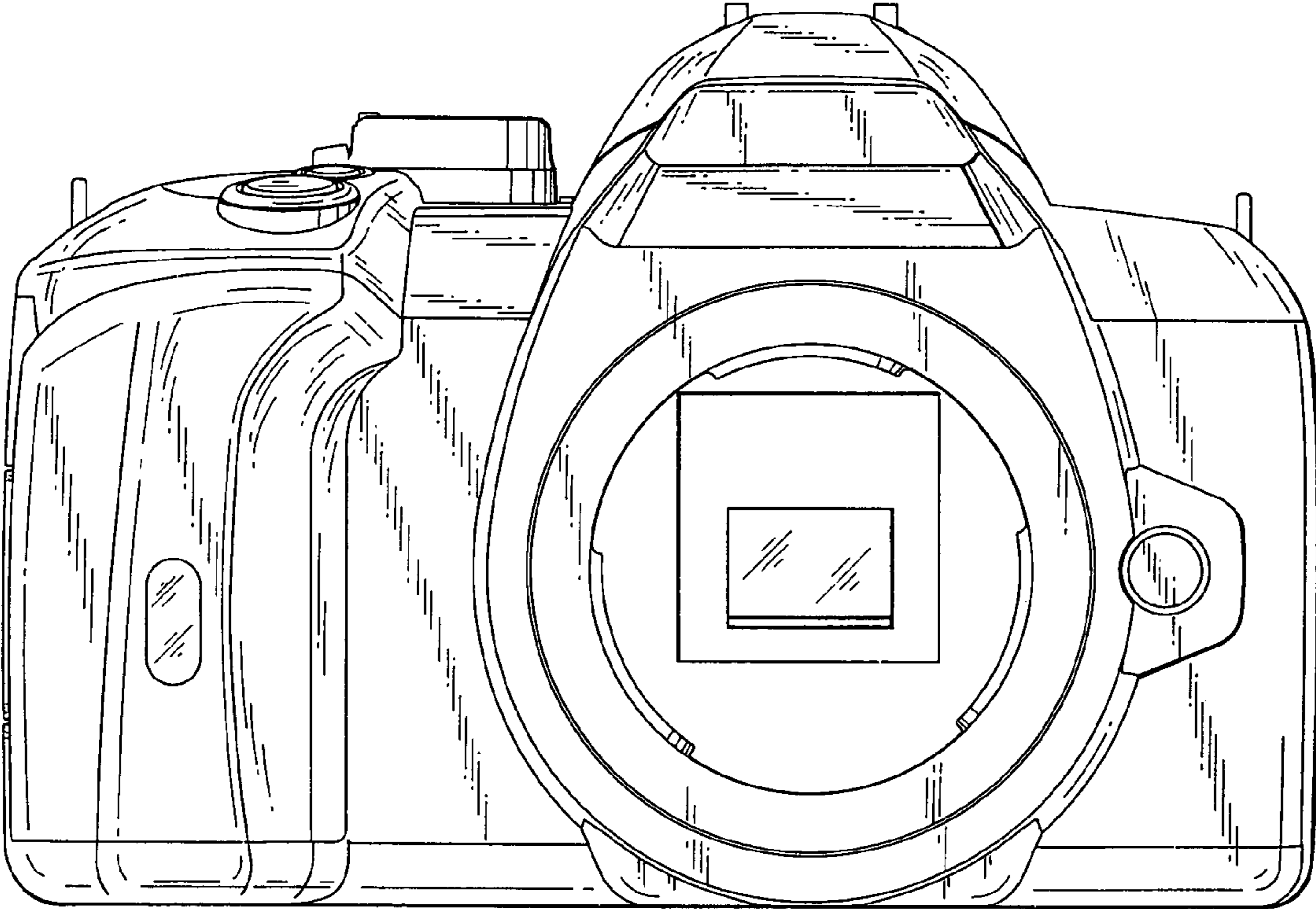


FIG.3

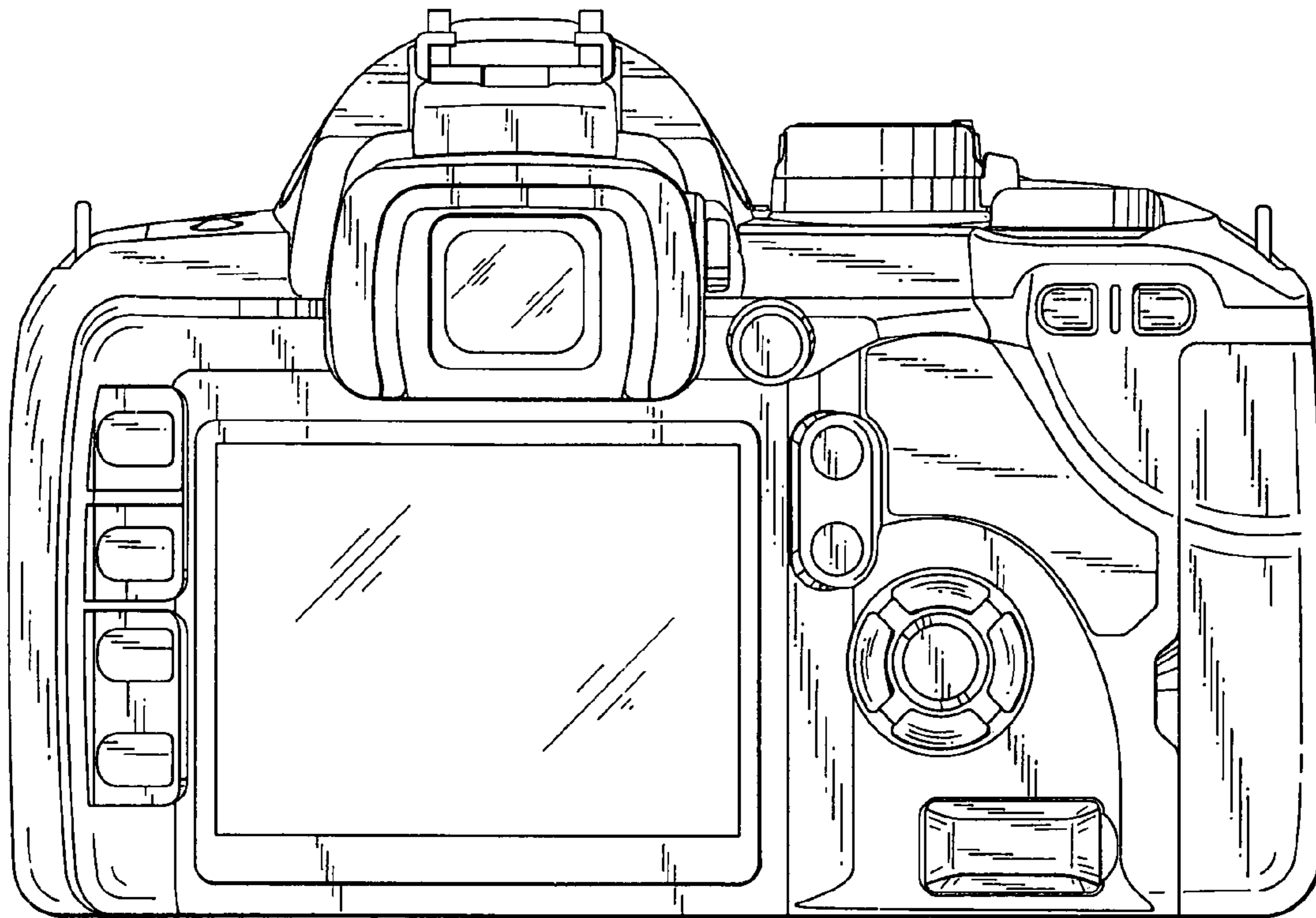


FIG.4

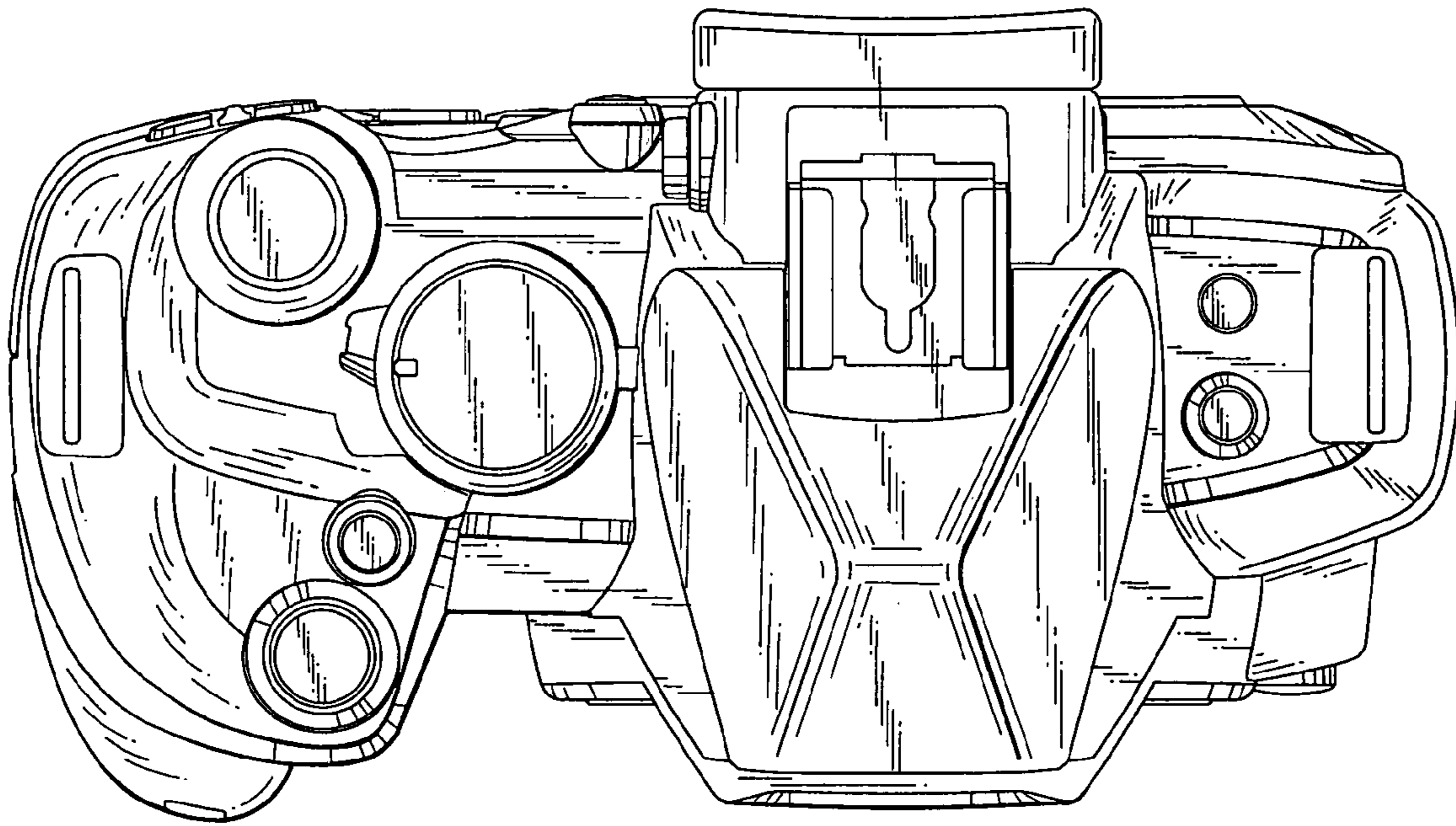


FIG.5

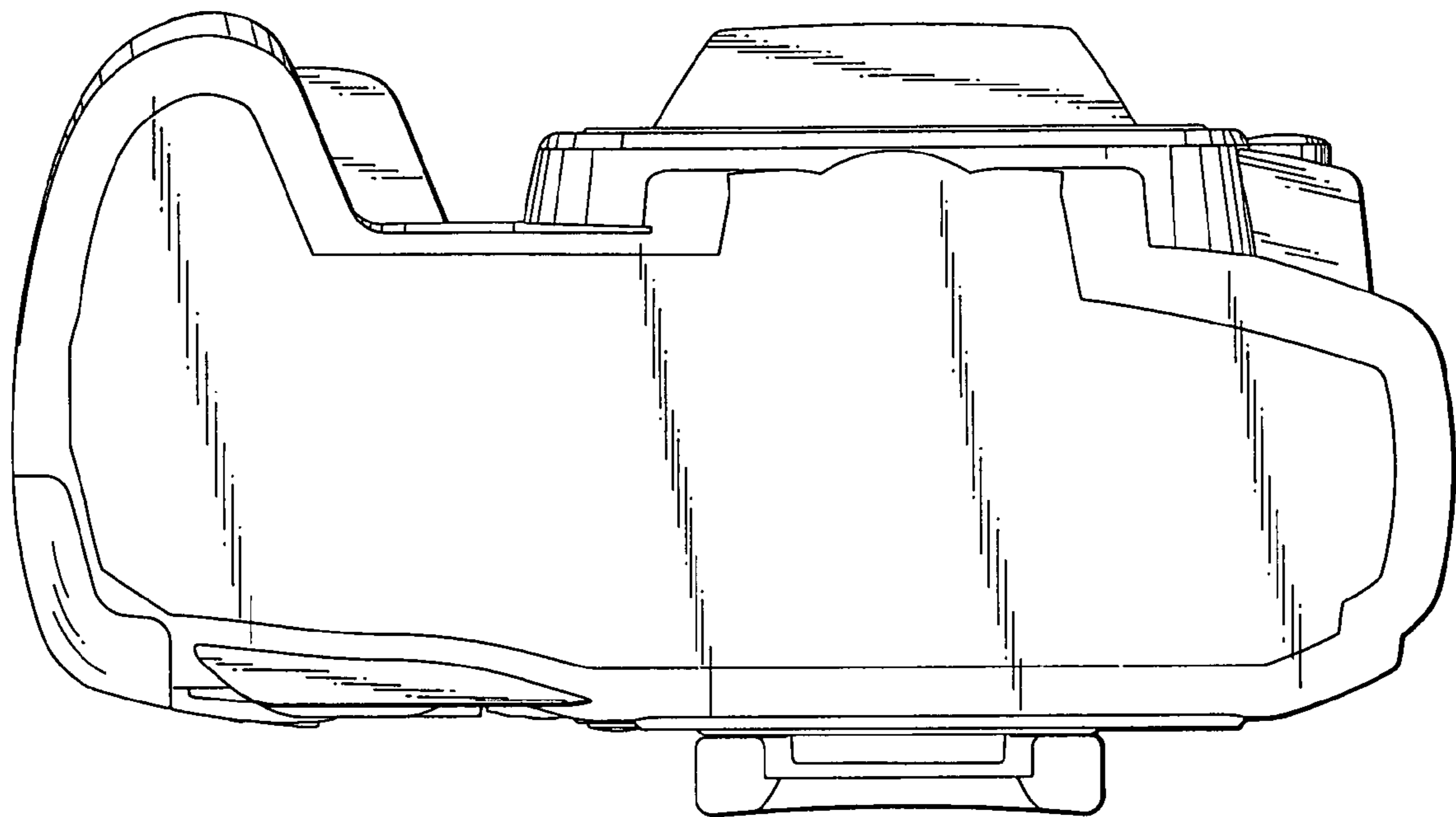


FIG. 6

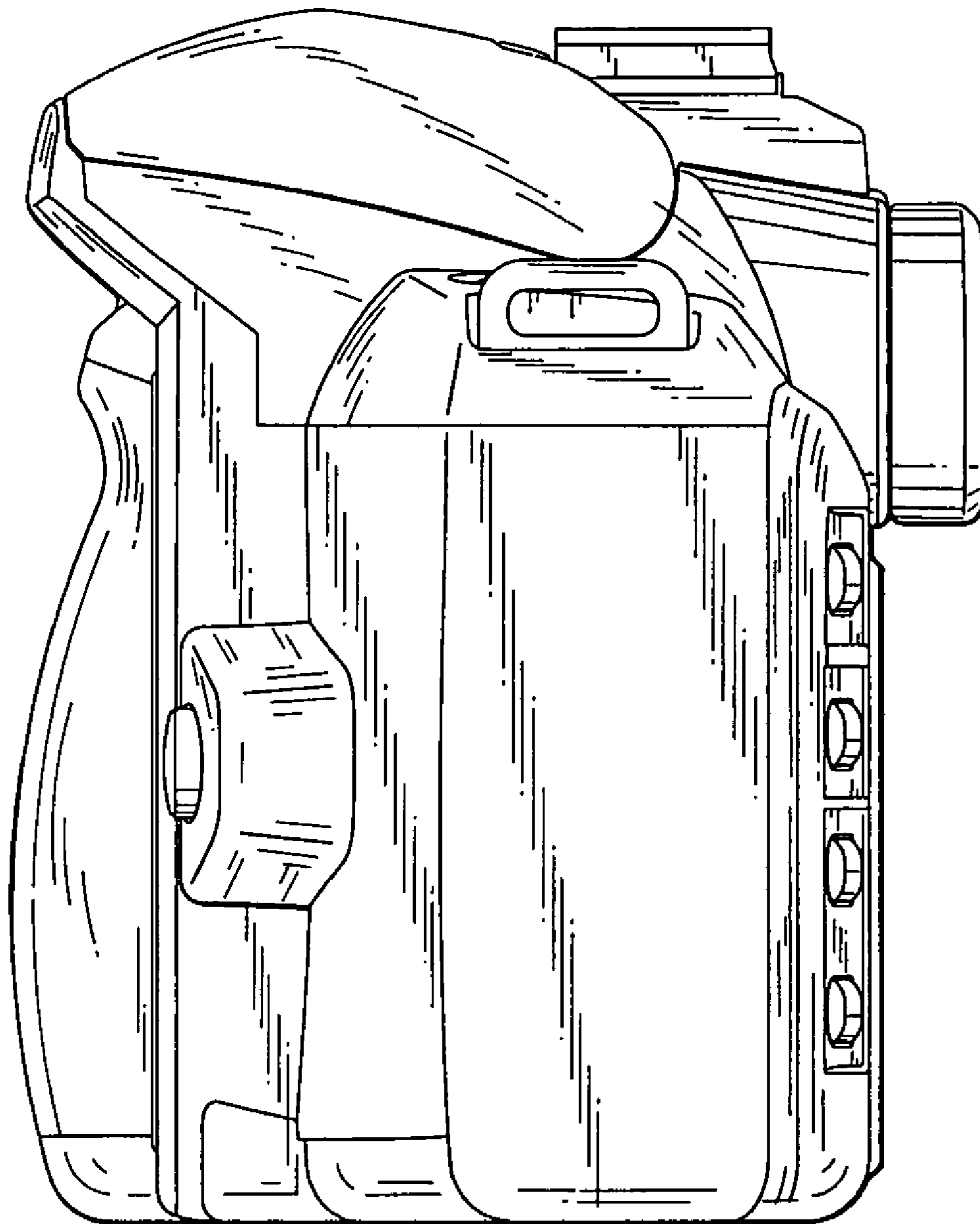


FIG. 7

