



US00D564560S

(12) **United States Design Patent**
Funakoshi

(10) **Patent No.:** **US D564,560 S**
(45) **Date of Patent:** **** Mar. 18, 2008**

(54) **BODY OF A DIGITAL SINGLE-LENS REFLEX CAMERA**

D505,684 S * 5/2005 Gotham et al. D16/202
7,182,529 B2 * 2/2007 Kurosawa 396/535

(75) Inventor: **Yasuo Funakoshi**, Hachioji (JP)

* cited by examiner

(73) Assignee: **Olympus Imaging Corp.**, Tokyo (JP)

Primary Examiner—Adir Aronovich

(**) Term: **14 Years**

(74) *Attorney, Agent, or Firm*—Straub and Pokotylo; John C. Pokotylo

(21) Appl. No.: **29/271,940**

(57) **CLAIM**

(22) Filed: **Jan. 29, 2007**

The ornamental design for a body of a digital single-lens reflex camera, as shown and described.

(30) **Foreign Application Priority Data**

Jan. 18, 2007 (JP) 2007-000892

DESCRIPTION

(51) **LOC (8) Cl.** **16-01**

FIG. 1 is a front, top and right side perspective view of a body of a digital single-lens reflex camera, showing my new design;

(52) **U.S. Cl.** **D16/217; D16/200**

FIG. 2 is a rear, top and left side perspective view thereof;
FIG. 3 is a rear perspective view thereof with the cover of the back display in an opened and rotated state;

(58) **Field of Classification Search** D16/200–206,
D16/208, 217, 218; 348/373–376; 396/176,
396/177, 354–359, 535, 540, 541

See application file for complete search history.

FIG. 4 is a front elevational view thereof;

(56) **References Cited**

U.S. PATENT DOCUMENTS

D363,301 S * 10/1995 Giugiaro et al. D16/217
D439,922 S * 4/2001 Kumakura D16/217
6,351,609 B1 * 2/2002 Hosokawa et al. 396/177
D471,222 S * 3/2003 Matsumura D16/217
D474,796 S * 5/2003 Matsuda D16/217
D497,174 S * 10/2004 Omino et al. D16/217

FIG. 5 is a rear elevational view thereof; and

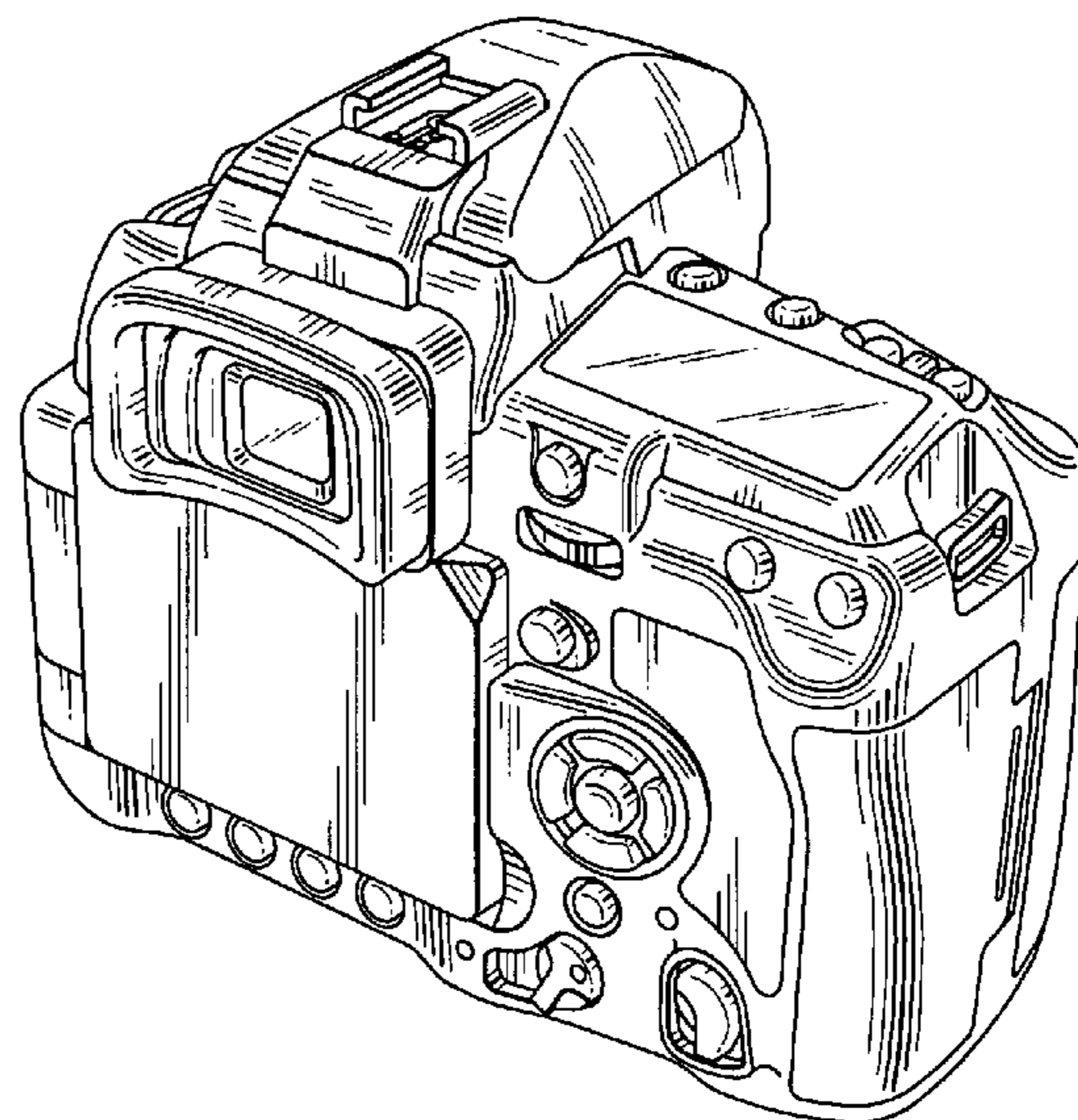
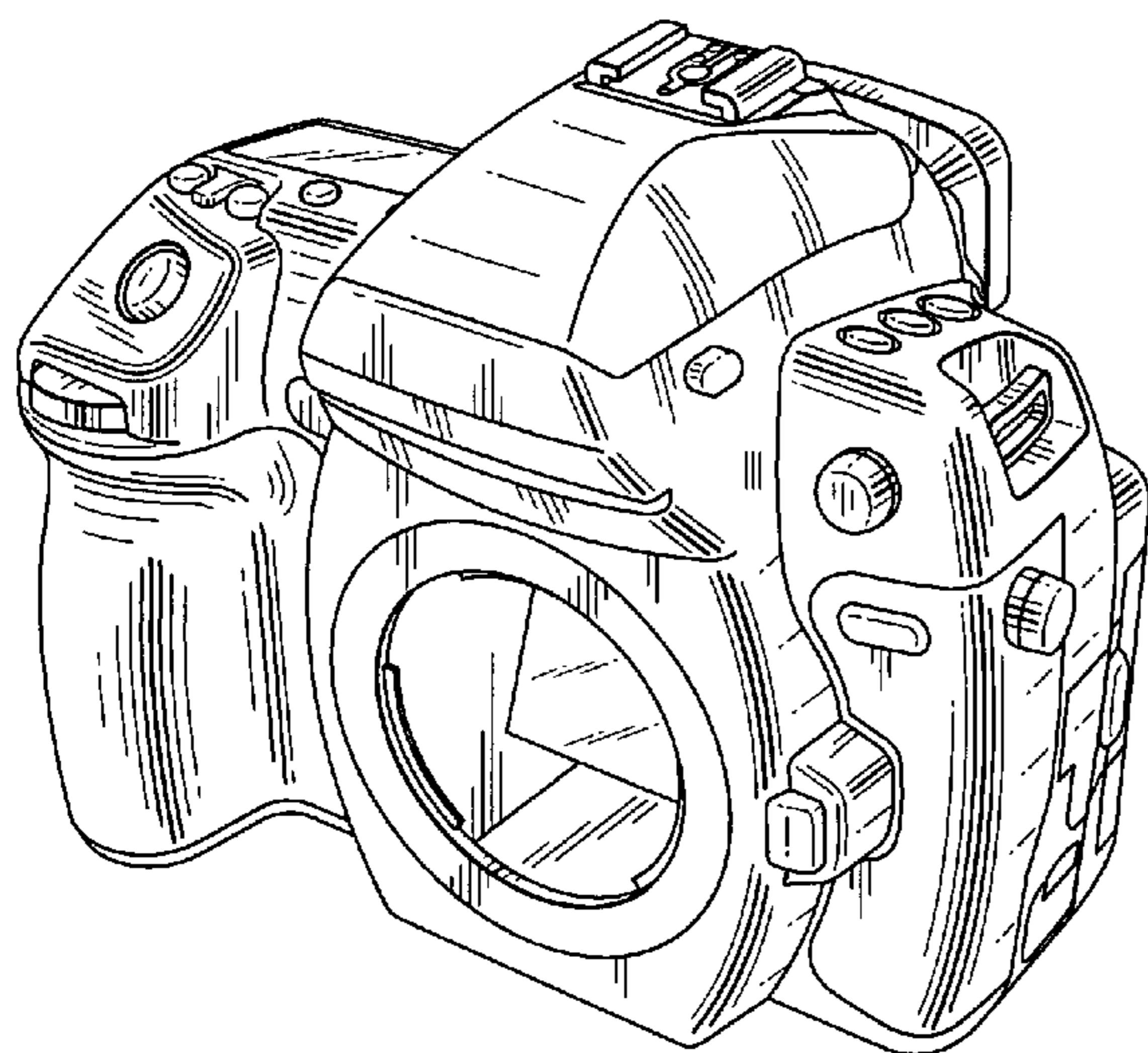
FIG. 6 is a top plan view thereof.

FIG. 7 is a bottom plan view thereof;

FIG. 8 is a right side elevational view thereof; and,

FIG. 9 is a left side elevational view thereof.

1 Claim, 5 Drawing Sheets



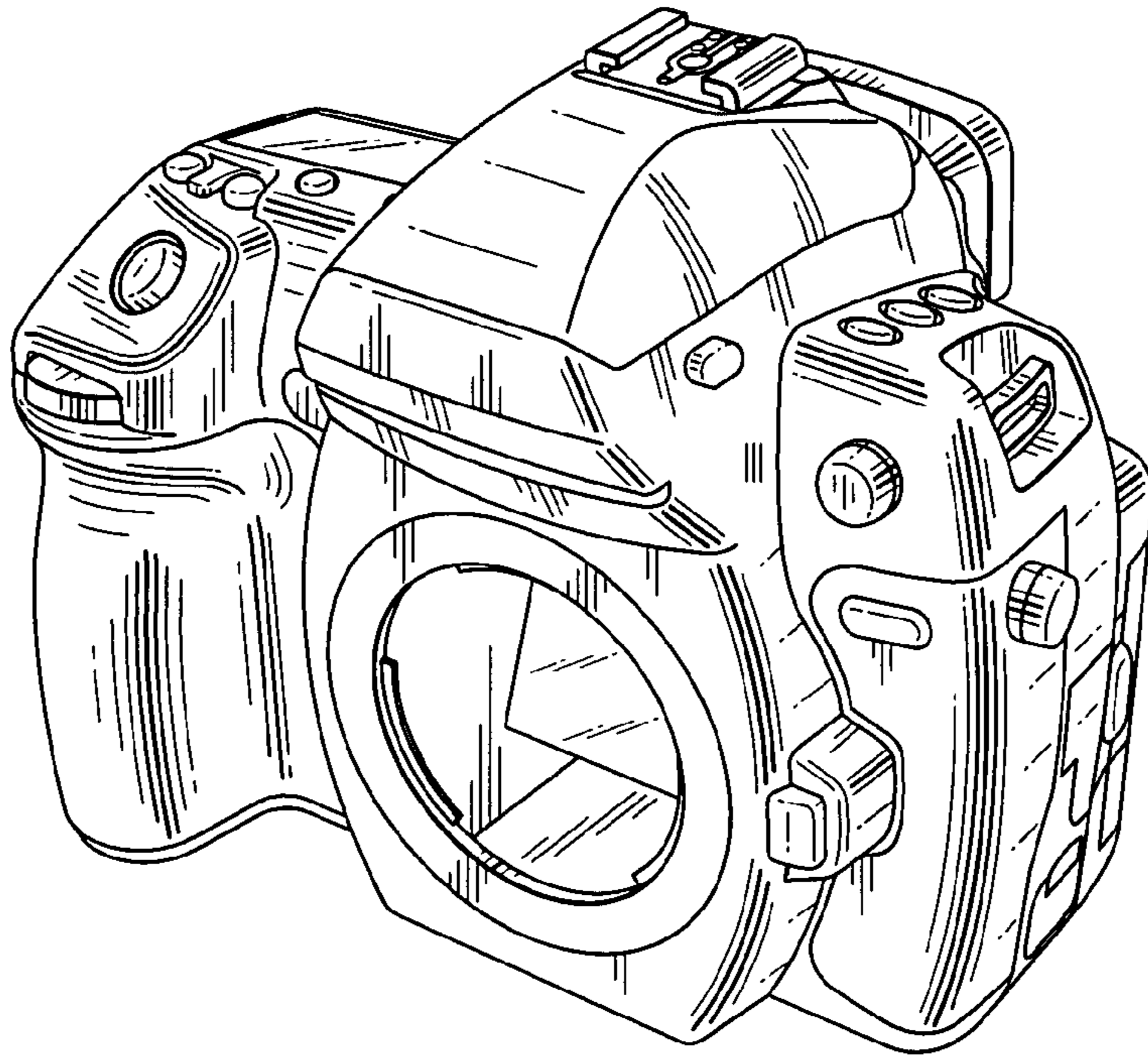


FIG. 1

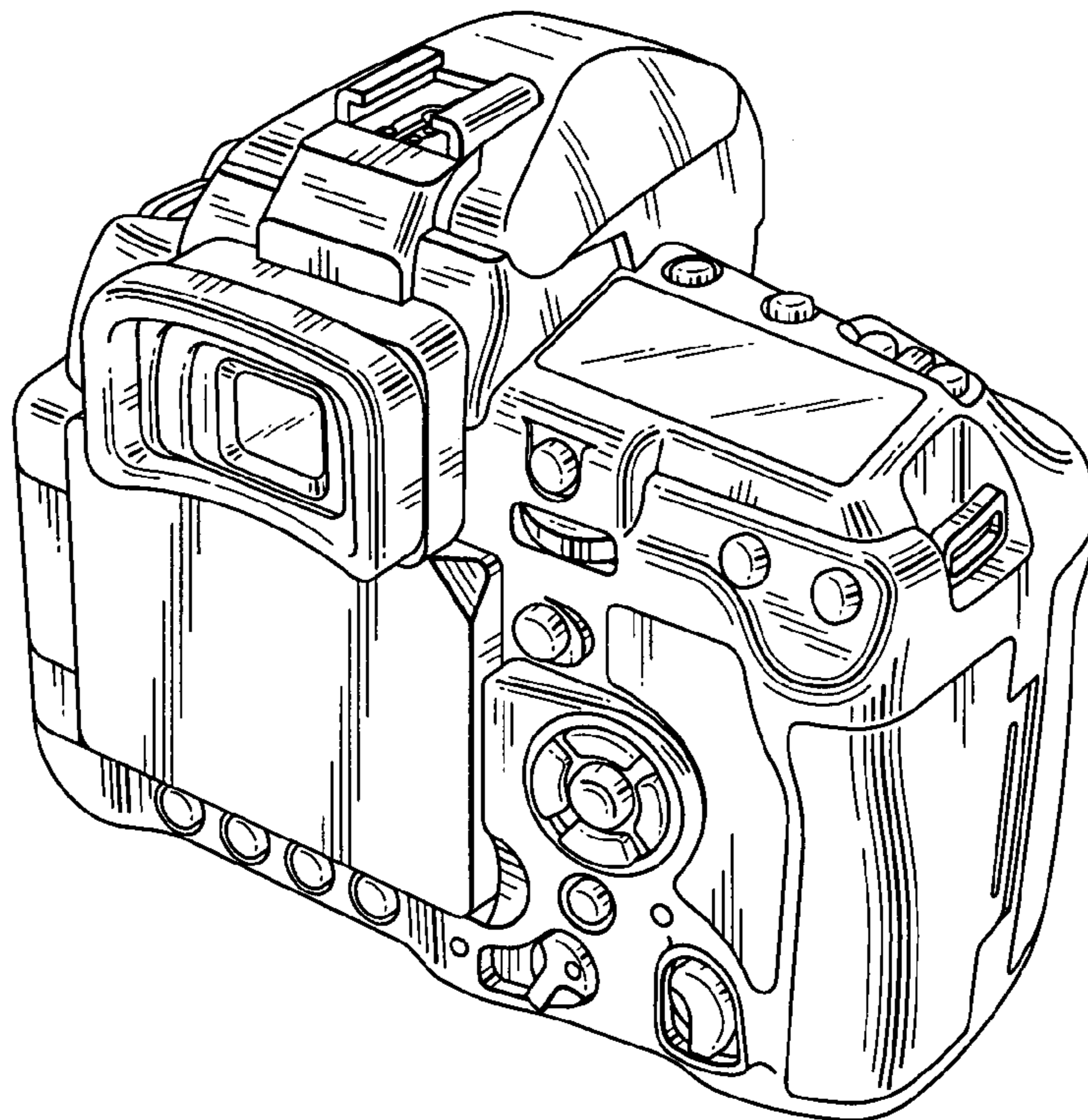


FIG. 2

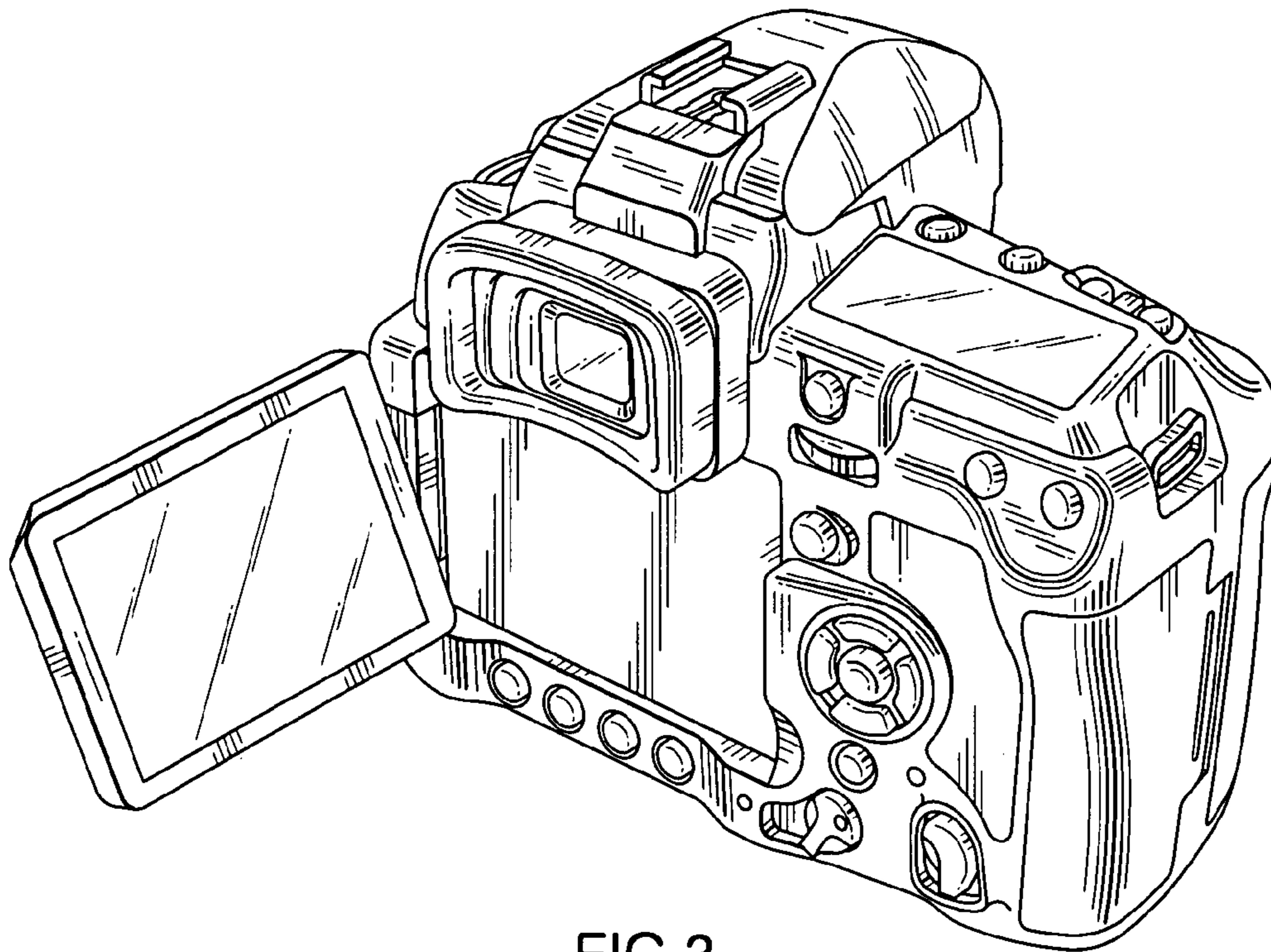


FIG. 3

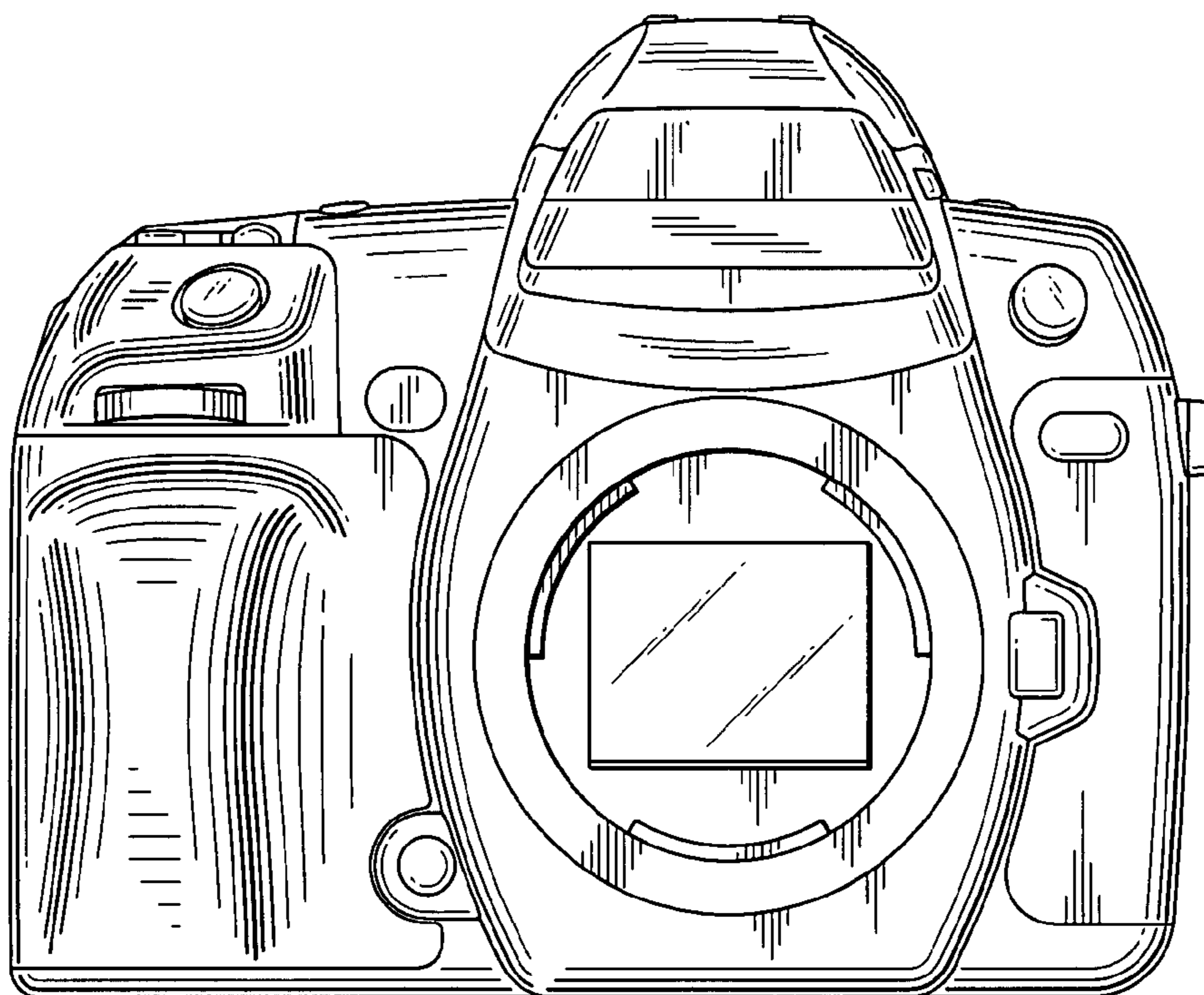


FIG. 4

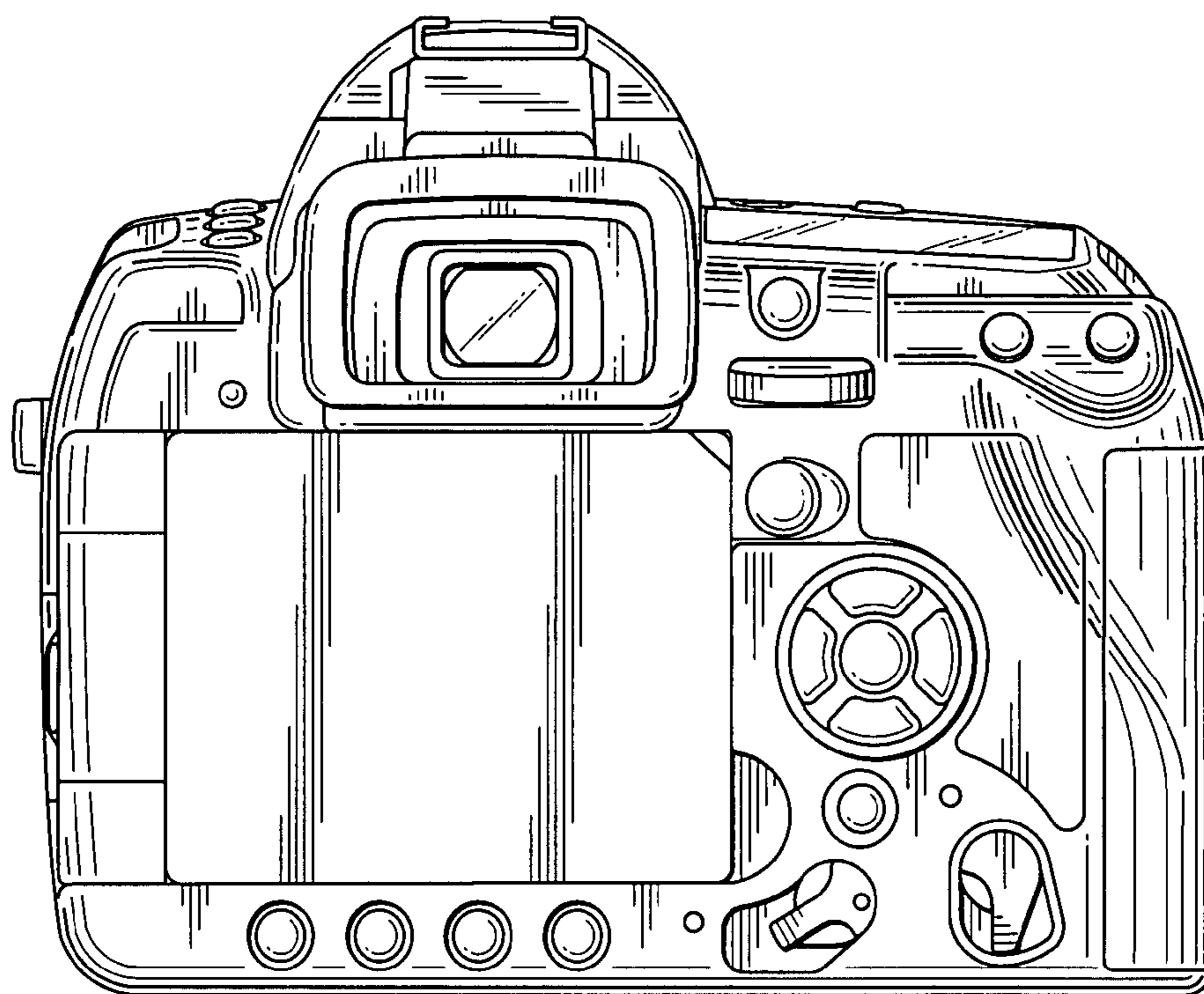


FIG. 5

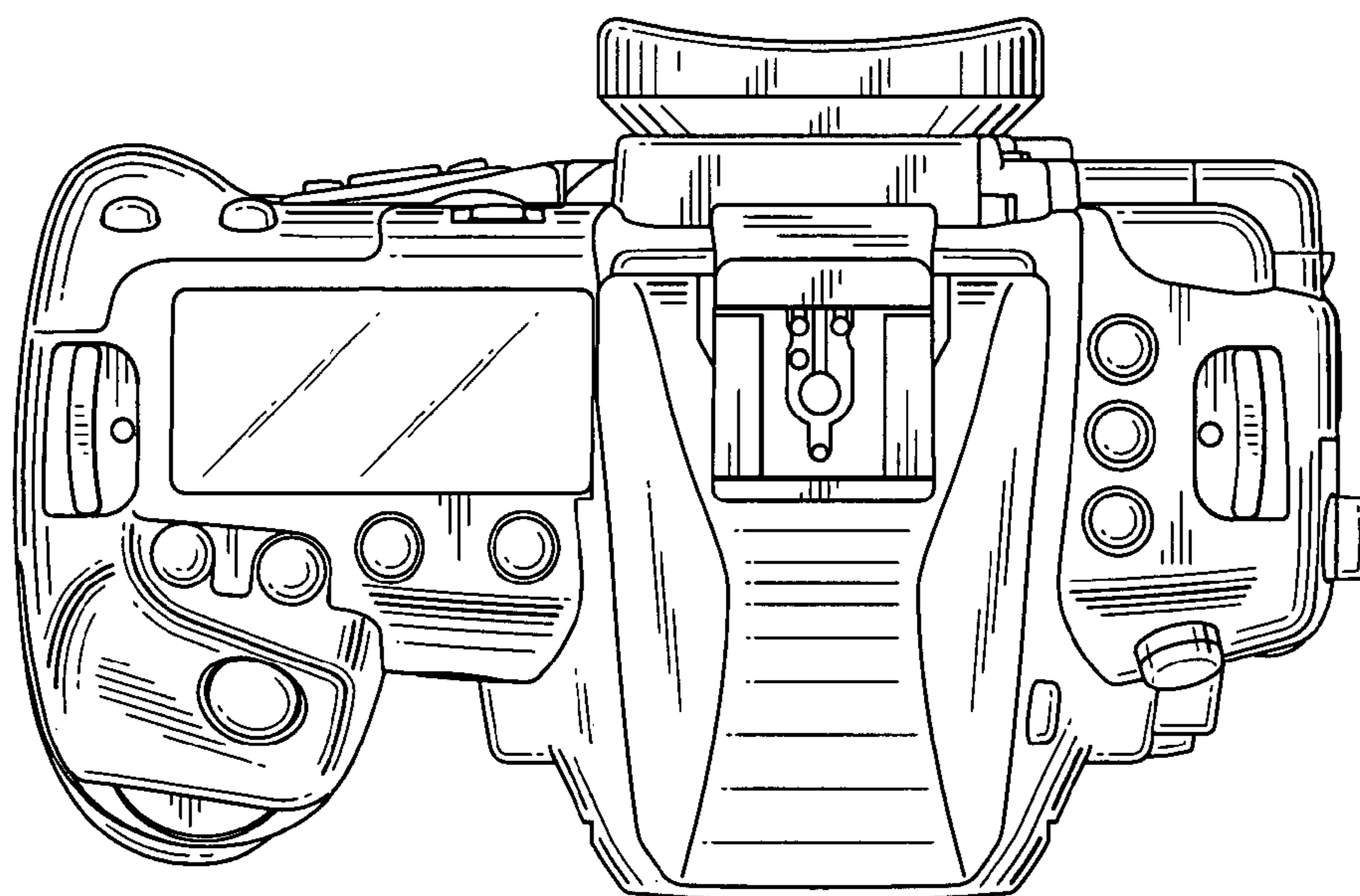


FIG. 6

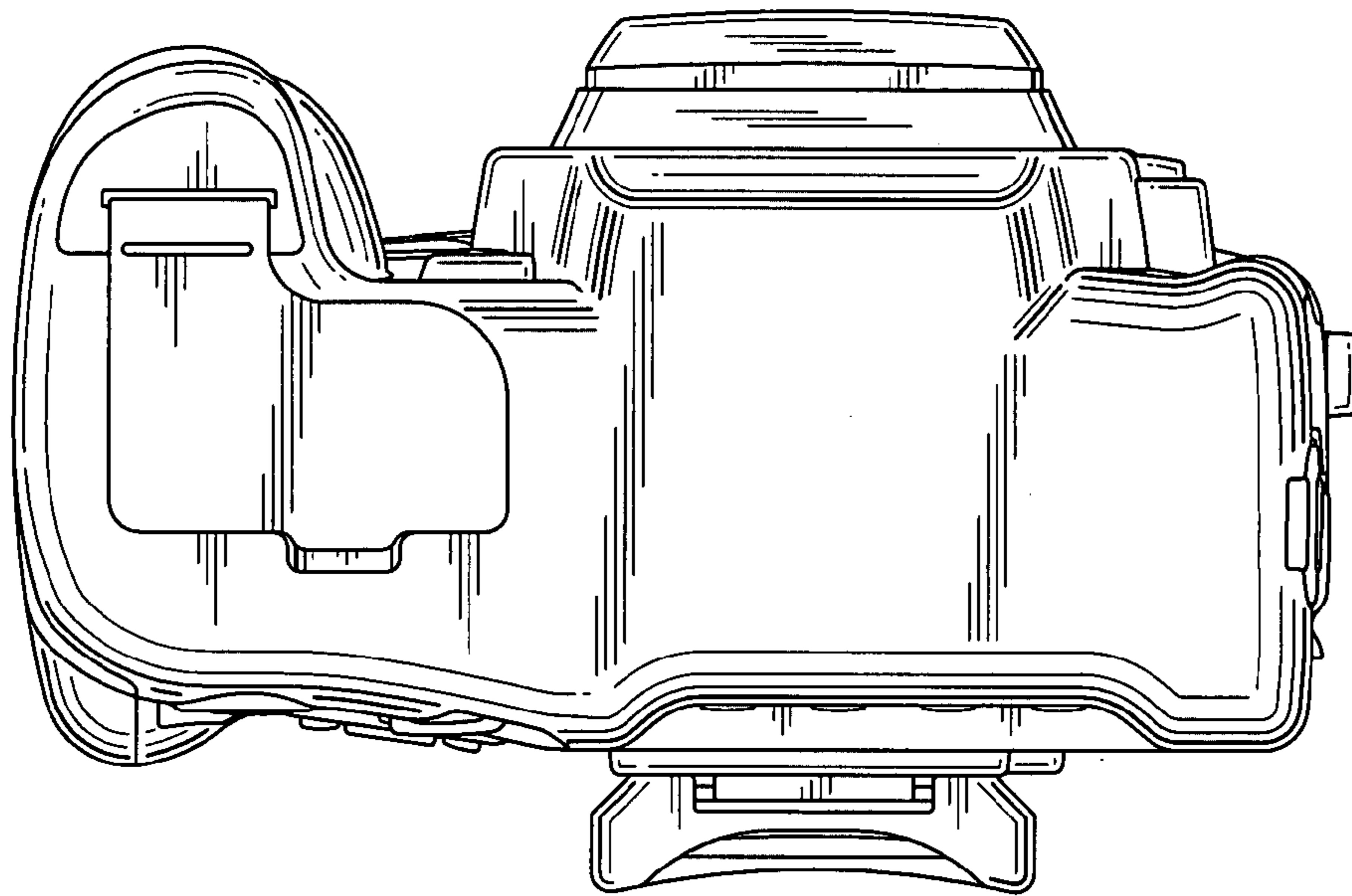


FIG. 7

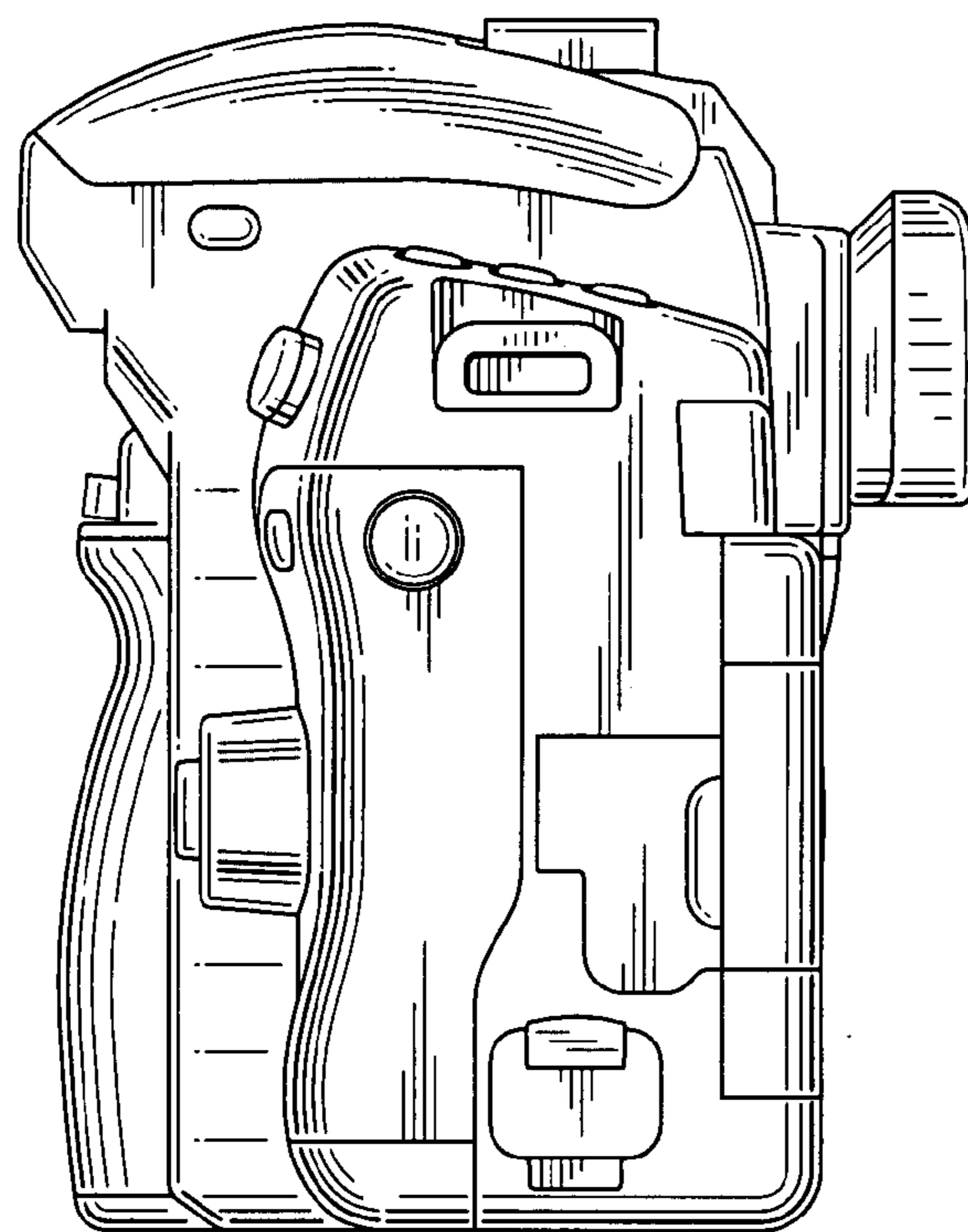


FIG. 8

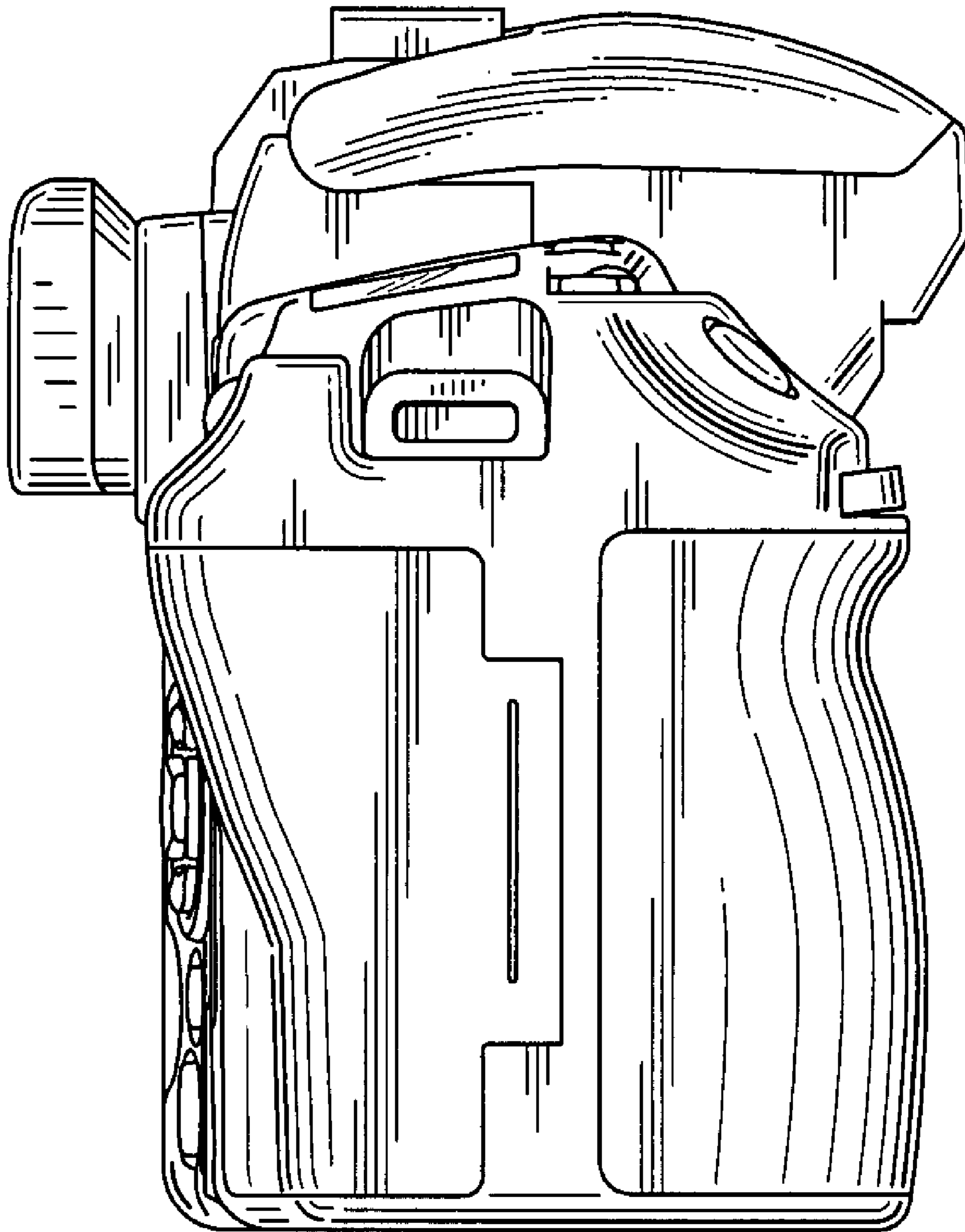


FIG.9