



US00D564558S

(12) **United States Design Patent**
Ollila

(10) **Patent No.:** **US D564,558 S**
(45) **Date of Patent:** **** Mar. 18, 2008**

(54) **CAMERA**

(75) Inventor: **David J. Ollila**, Marquette, MI (US)

(73) Assignee: **V.I.O. Inc.**, Marquette, MI (US)

(**) Term: **14 Years**

(21) Appl. No.: **29/280,584**

(22) Filed: **May 31, 2007**

Related U.S. Application Data

(63) Continuation-in-part of application No. 29/248,221, filed on Aug. 3, 2006, now Pat. No. Des. 547,346, which is a continuation-in-part of application No. 11/239,896, filed on Sep. 30, 2005, which is a continuation-in-part of application No. 10/796,356, filed on Mar. 9, 2004.

(51) **LOC (8) Cl.** **16-01**

(52) **U.S. Cl.** **D16/203**

(58) **Field of Classification Search** D16/200–205,
D16/208, 218, 219; 348/143, 151, 373–376;
358/906; 396/427, 535, 536–541
See application file for complete search history.

(56) **References Cited**

U.S. PATENT DOCUMENTS

4,344,092 A * 8/1982 Miller 348/373

4,768,090 A * 8/1988 Camps et al. 348/143
D368,105 S * 3/1996 Takahashi et al. D16/202
D378,095 S * 2/1997 Hasegawa D16/203
D418,152 S * 12/1999 McBride D16/204
D428,618 S * 7/2000 McBride D16/203
D430,888 S * 9/2000 Adachi et al. D16/203
D484,159 S * 12/2003 Cheng D16/203
D506,489 S * 6/2005 Owada D16/203
D510,374 S * 10/2005 Greenwood et al. D16/203
D528,576 S * 9/2006 Chung et al. D16/202

* cited by examiner

Primary Examiner—Adir Aronovich

(74) *Attorney, Agent, or Firm*—Dobrusin & Thennisch PC

(57) **CLAIM**

The ornamental design for a camera, as shown and described.

DESCRIPTION

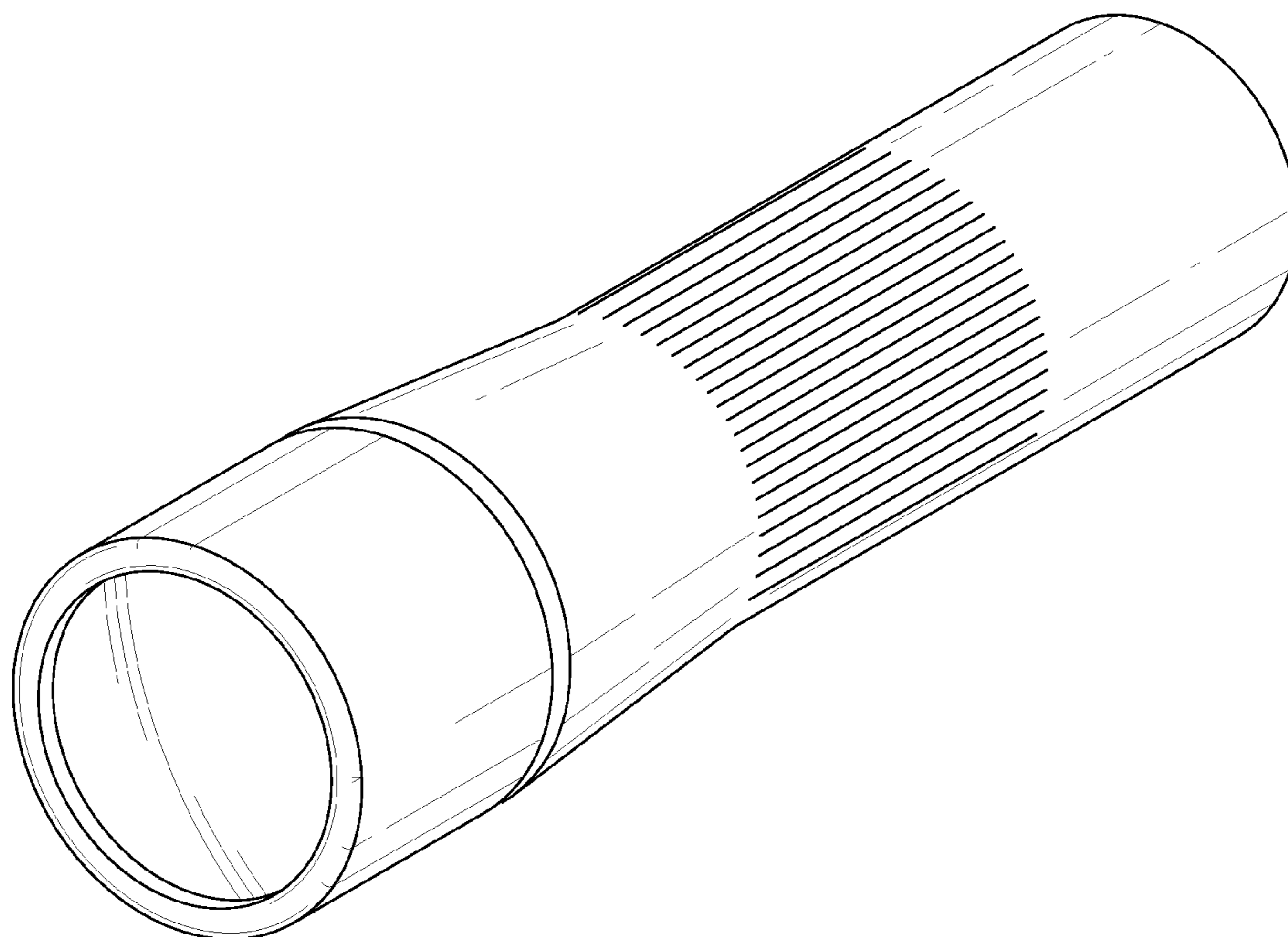
FIG. 1 is a front perspective view of a camera showing my present invention;

FIG. 2 is a side elevational view thereof;

FIG. 3 is a front elevational view thereof; and,

FIG. 4 is a rear elevational view thereof.

1 Claim, 2 Drawing Sheets



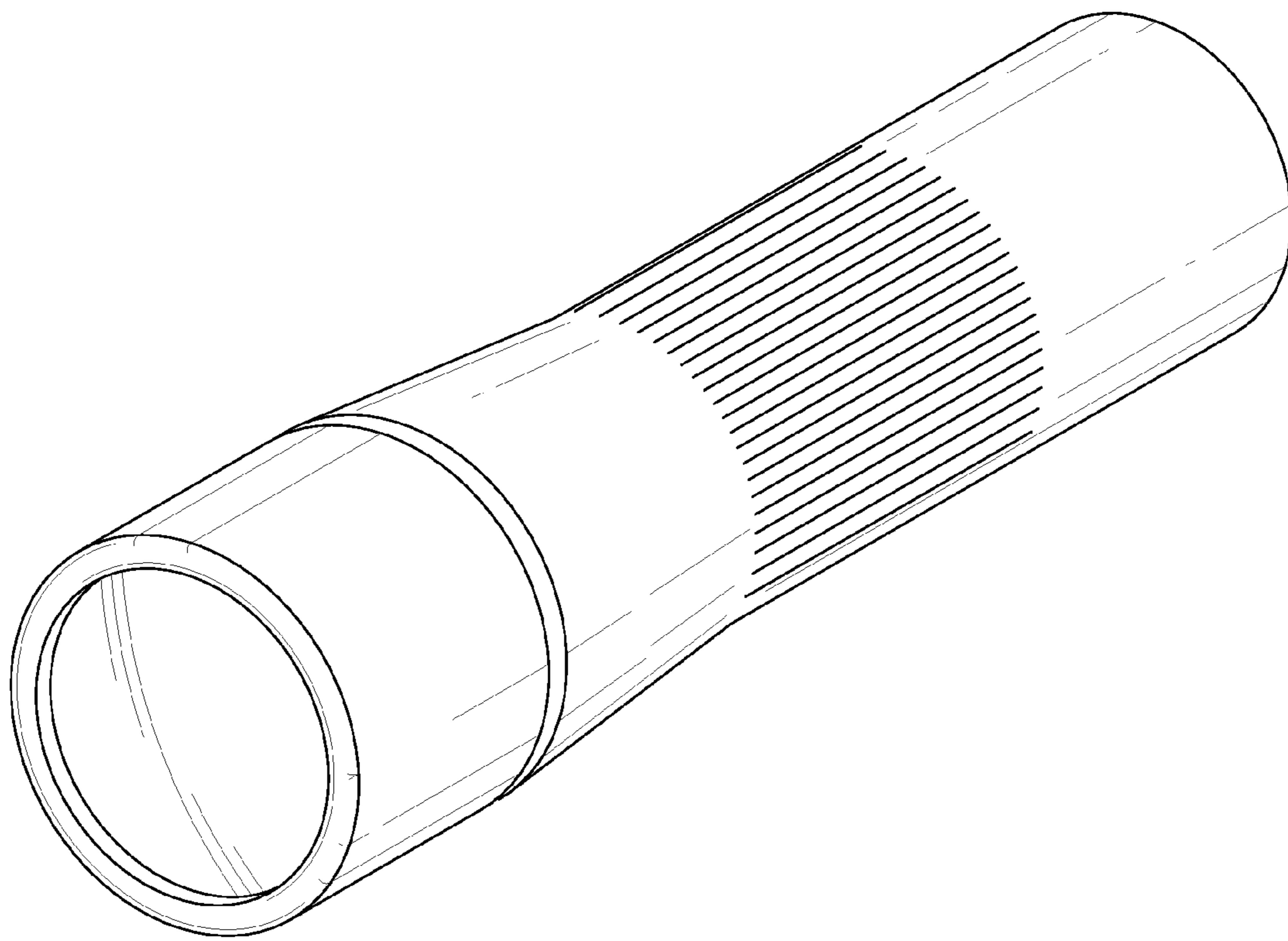


Fig-1

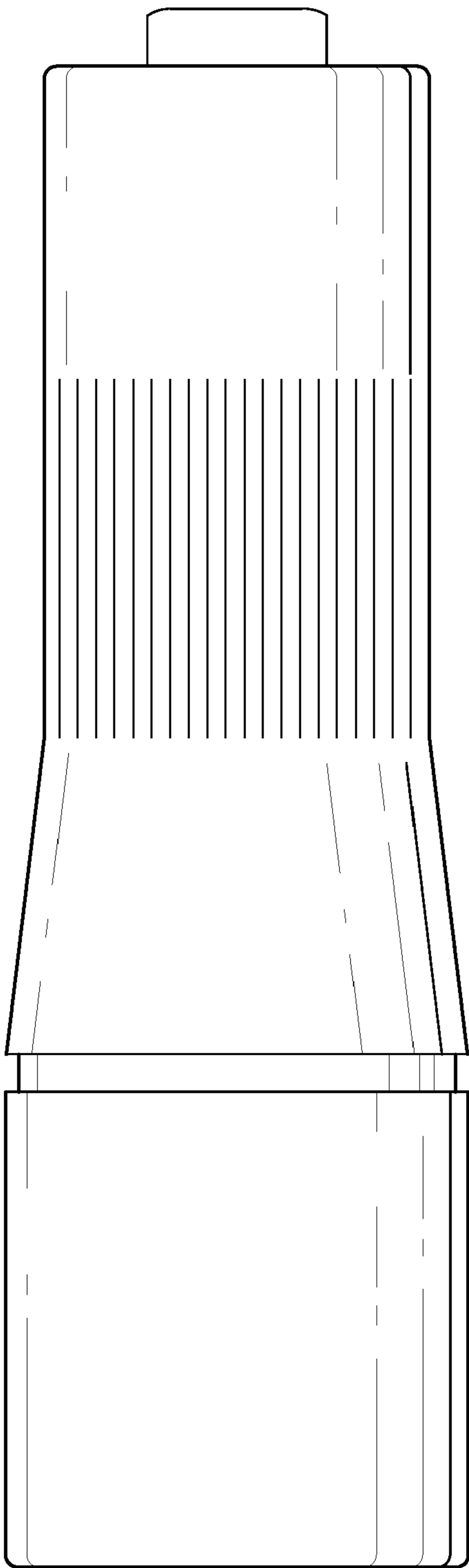


Fig-2

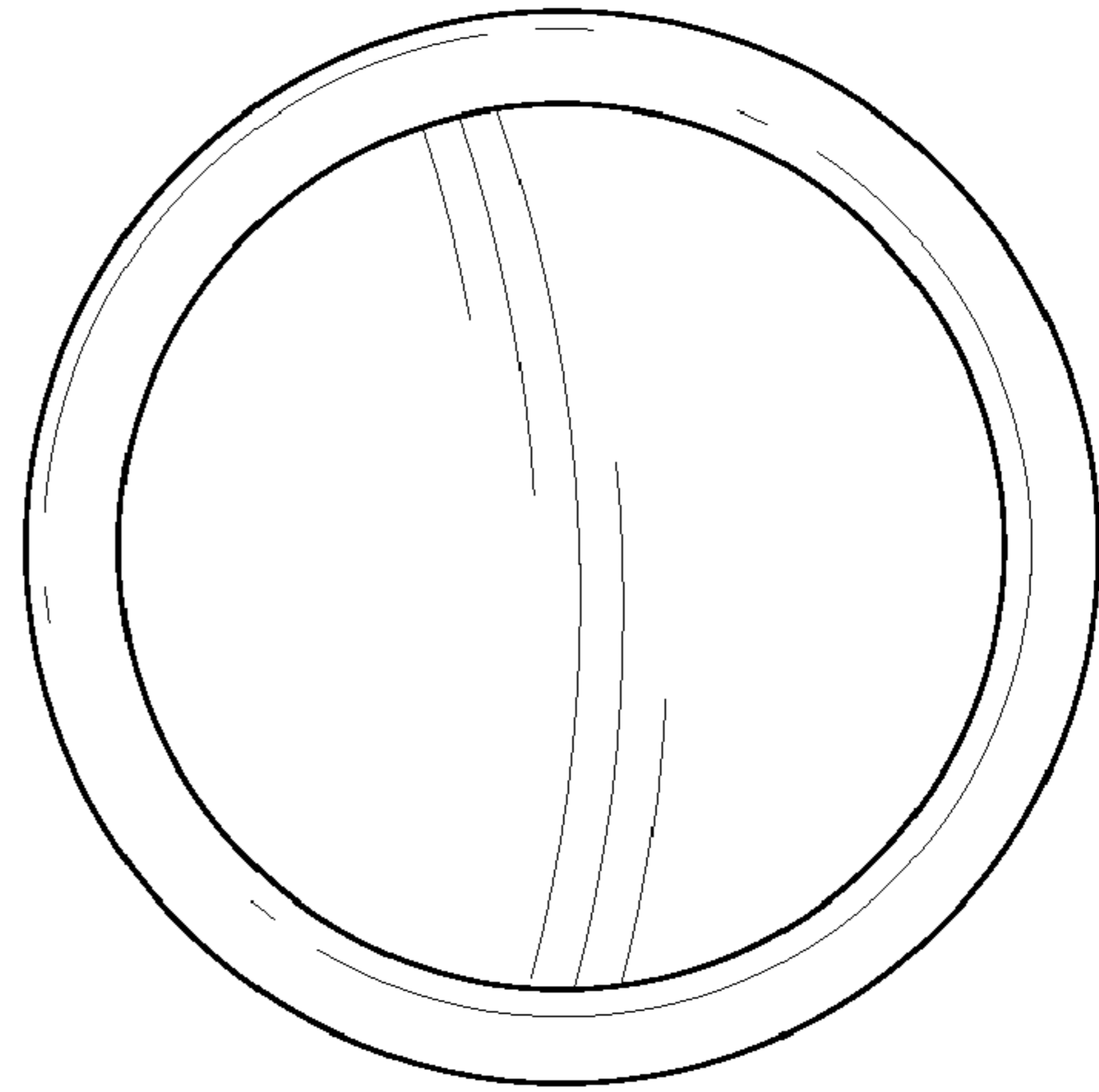


Fig-3

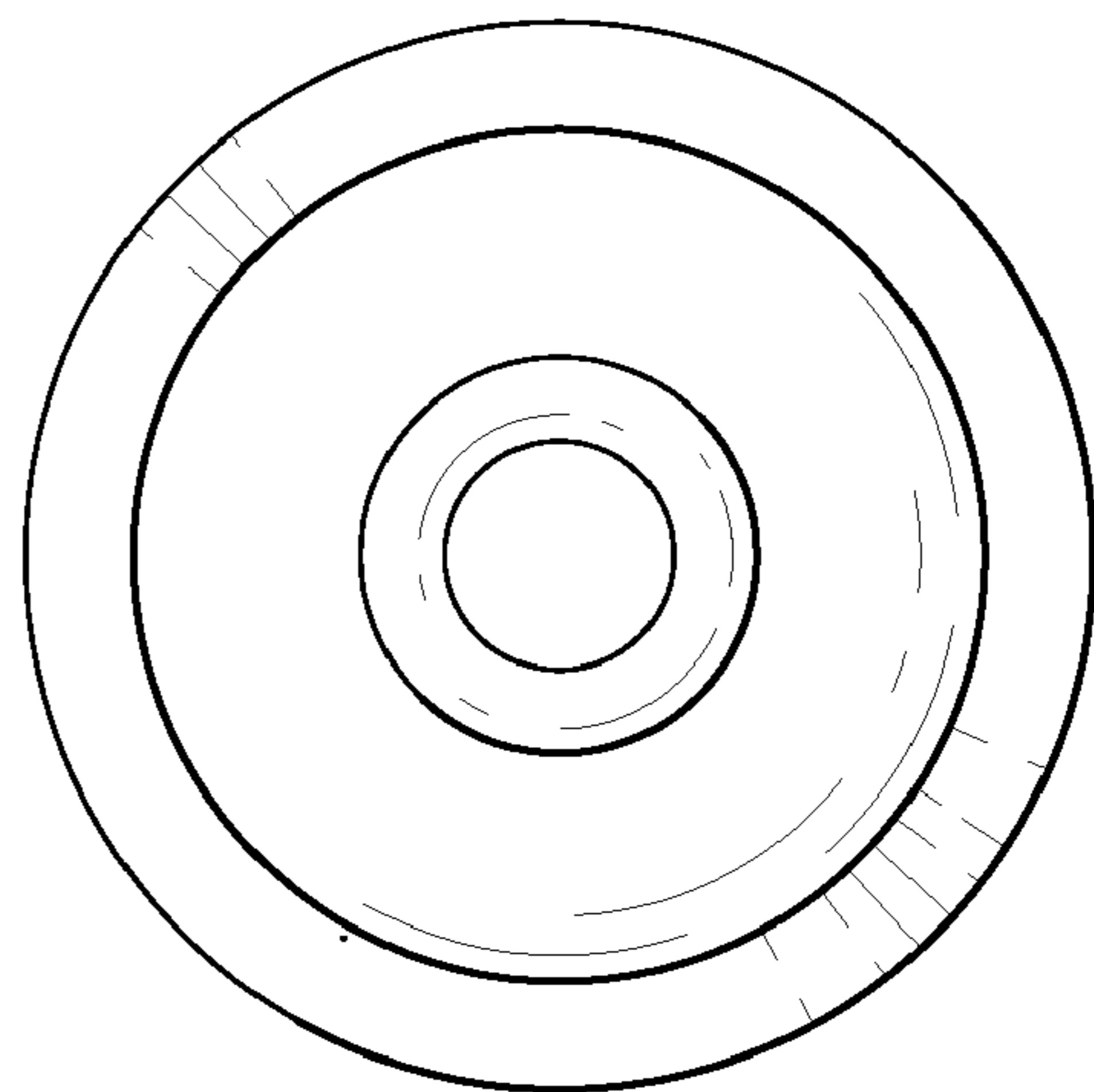


Fig-4