

US00D564557S

(12) **United States Design Patent**
Yamamoto et al.

(10) **Patent No.:** **US D564,557 S**
(45) **Date of Patent:** **** Mar. 18, 2008**

(54) **SURVEILLANCE CAMERA**
(75) Inventors: **Masayuki Yamamoto**, Kanagawa (JP);
Tadaaki Hamahara, Kanagawa (JP)
(73) Assignee: **Victor Company of Japan, Limited**,
Yokohama-shi (JP)

D449,630 S * 10/2001 Rak et al. D16/203
6,678,001 B1 * 1/2004 Elberbaum 348/373
6,715,940 B2 * 4/2004 Top et al. 396/427
D494,992 S * 8/2004 Seo D16/203
D497,927 S * 11/2004 Arbuckle et al. D16/203
D513,028 S * 12/2005 Maruyama D16/203

* cited by examiner

(**) Term: **14 Years**

Primary Examiner—Adir Aronovich

(21) Appl. No.: **29/271,748**

(74) *Attorney, Agent, or Firm*—Osha Liang LLP

(22) Filed: **Jan. 25, 2007**

(57) **CLAIM**

(30) **Foreign Application Priority Data**

The ornamental design for a surveillance camera, as shown and described.

Jul. 26, 2006 (JP) 2006-019698

DESCRIPTION

(51) **LOC (8) Cl.** **16-01**

FIG. 1 is a perspective view of the front, right and bottom of a surveillance camera showing our new design.

(52) **U.S. Cl.** **D16/203**

FIG. 2 is a front view thereof, a rear view being mirror image thereof.

(58) **Field of Classification Search** D16/200–204,
D16/208, 219; 348/143, 151, 373–376; 396/427,
396/535, 536–541

FIG. 3 is a bottom view thereof.

See application file for complete search history.

FIG. 4 is a top plan view thereof; and,

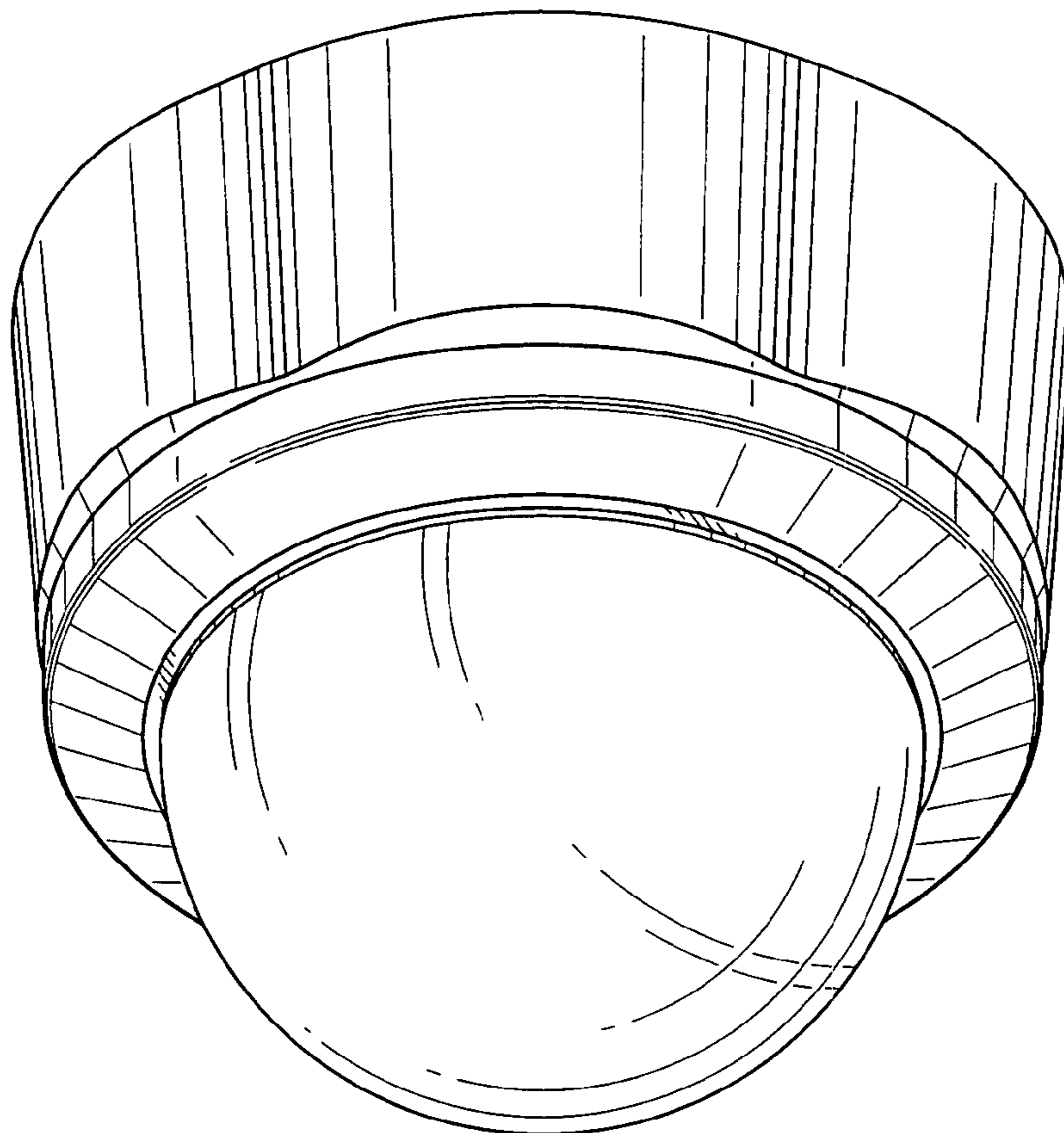
(56) **References Cited**

FIG. 5 is a right side view, a left side view being a mirror image thereof.

U.S. PATENT DOCUMENTS

D412,924 S * 8/1999 Hiraguchi D16/219

1 Claim, 3 Drawing Sheets



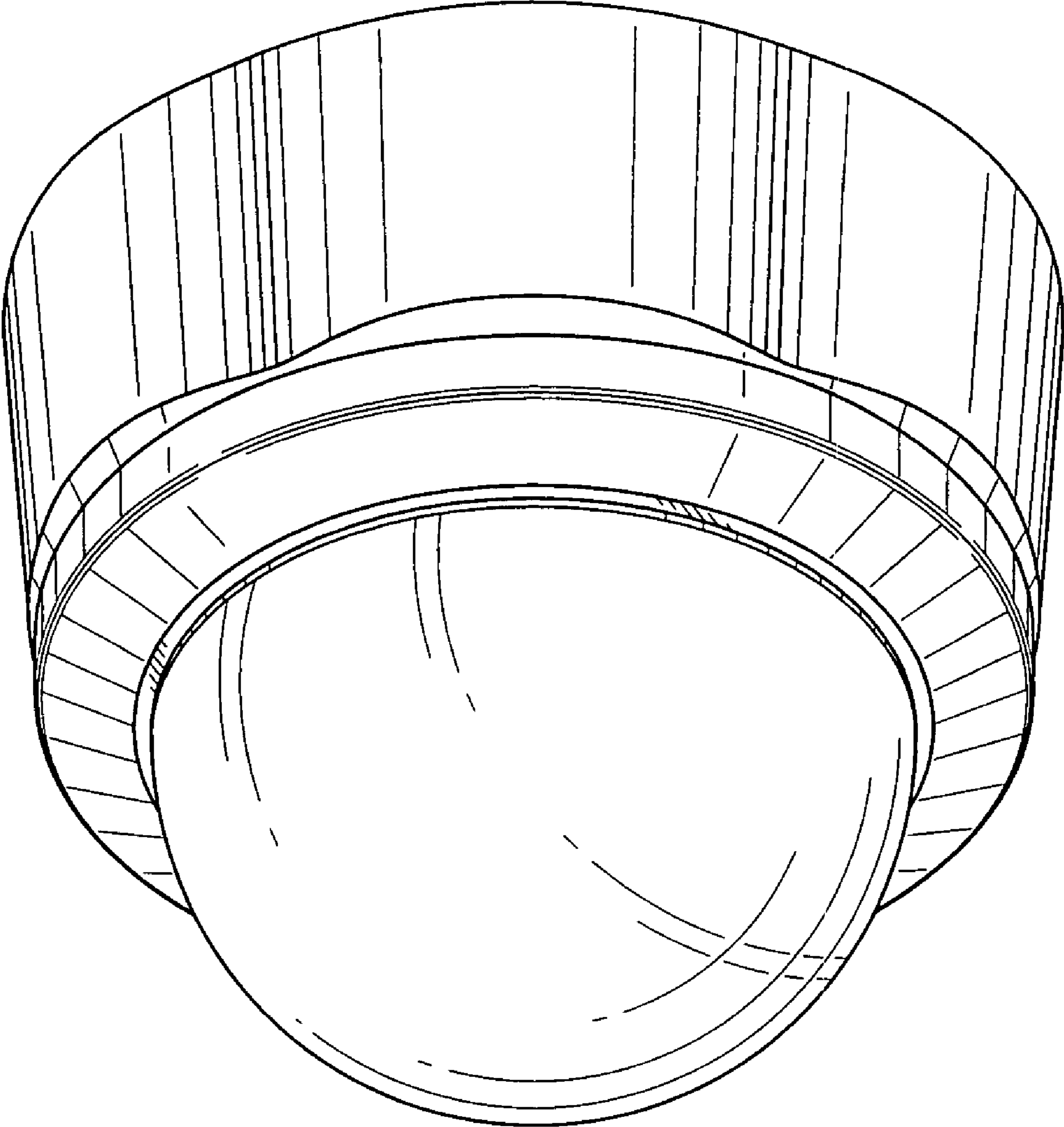


FIG. 1

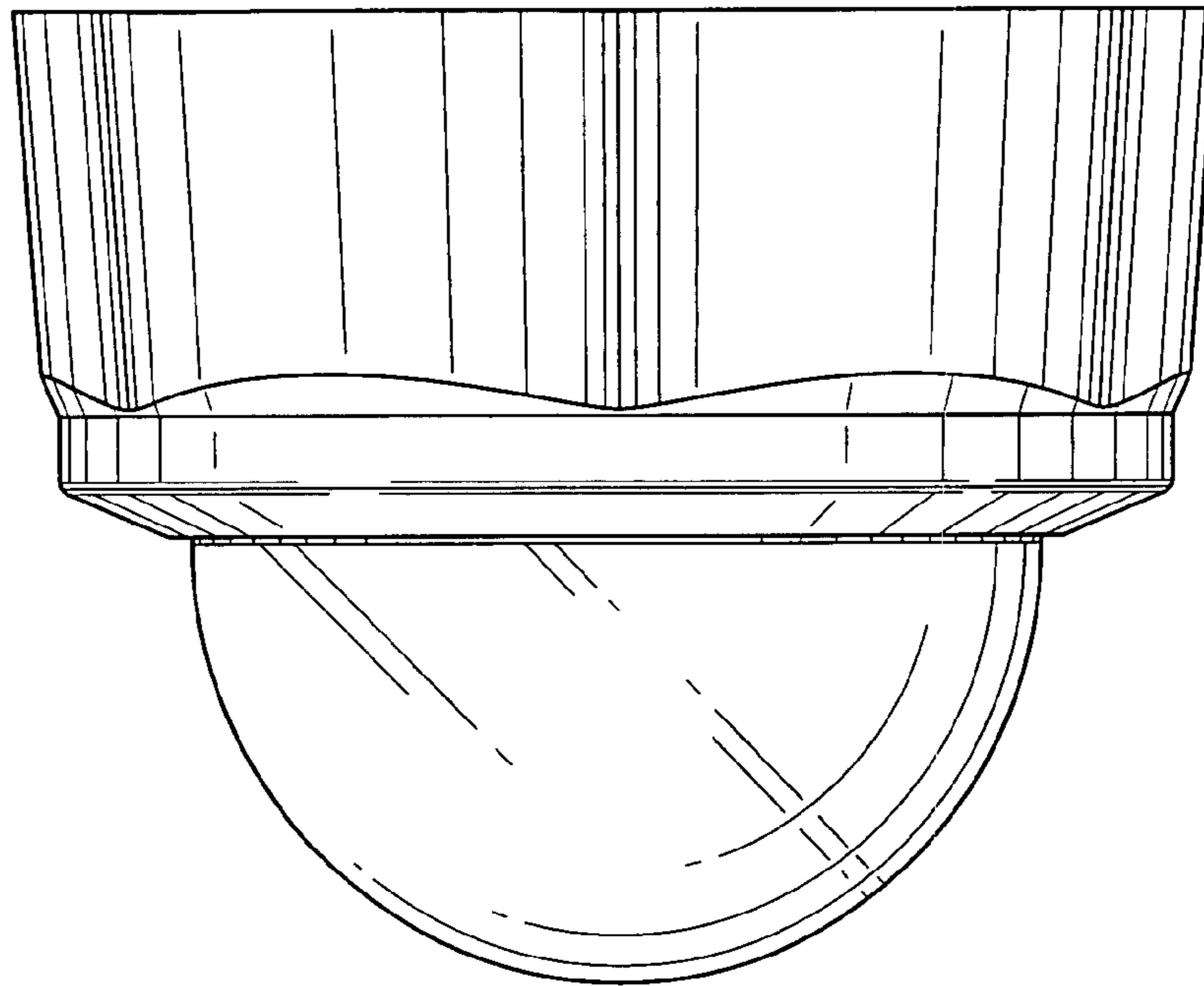


FIG. 2

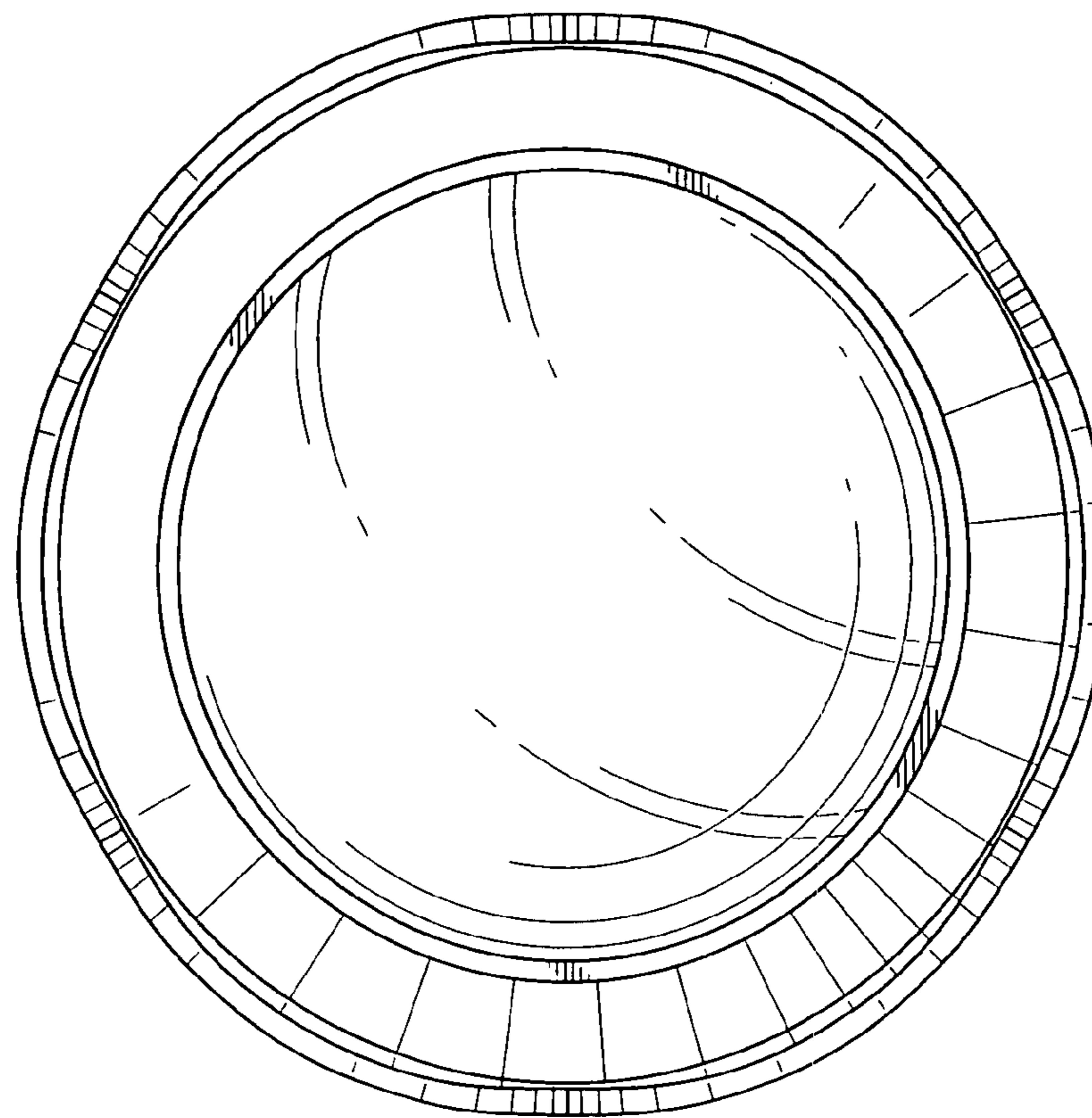


FIG. 3

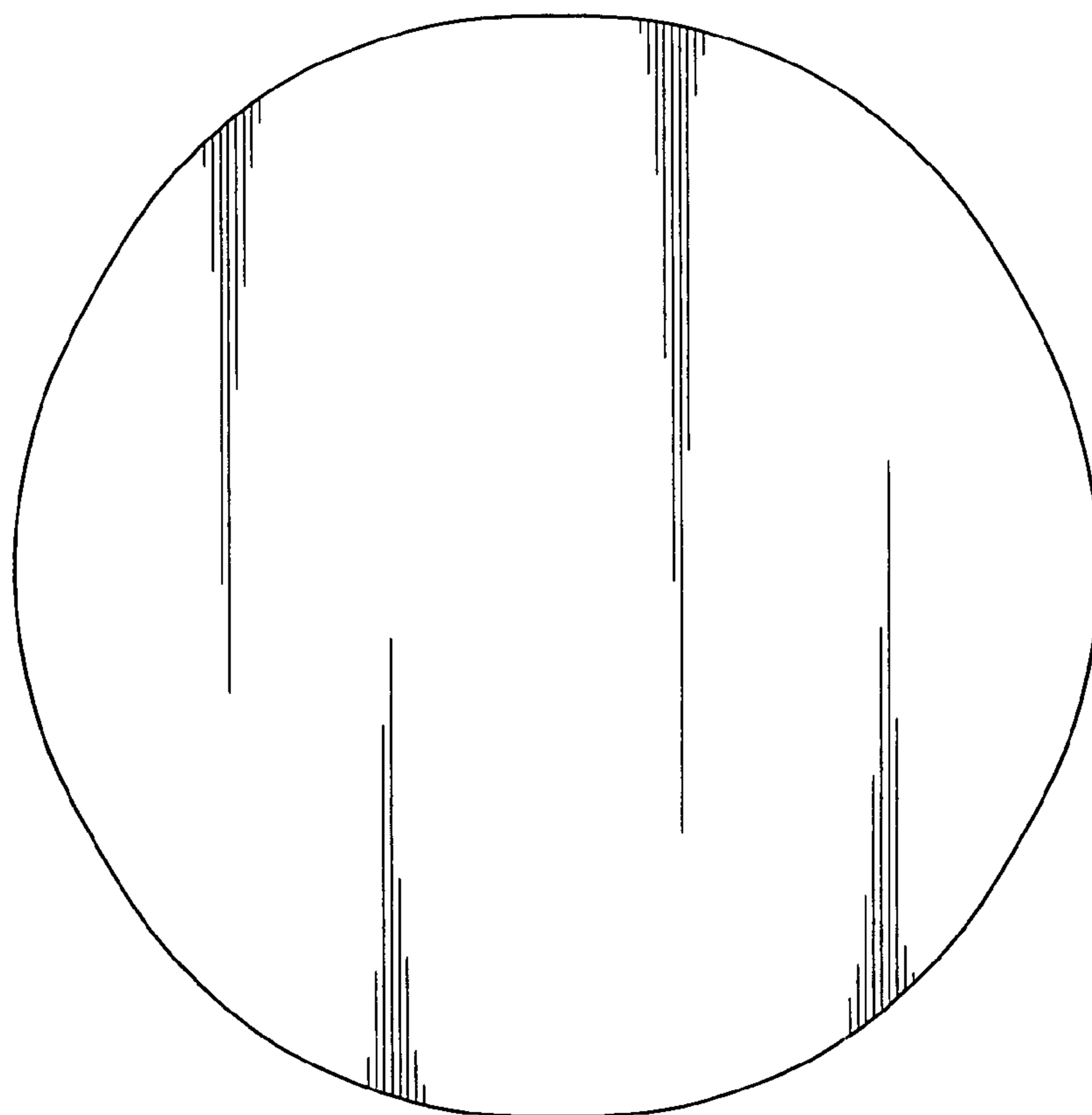


FIG. 4

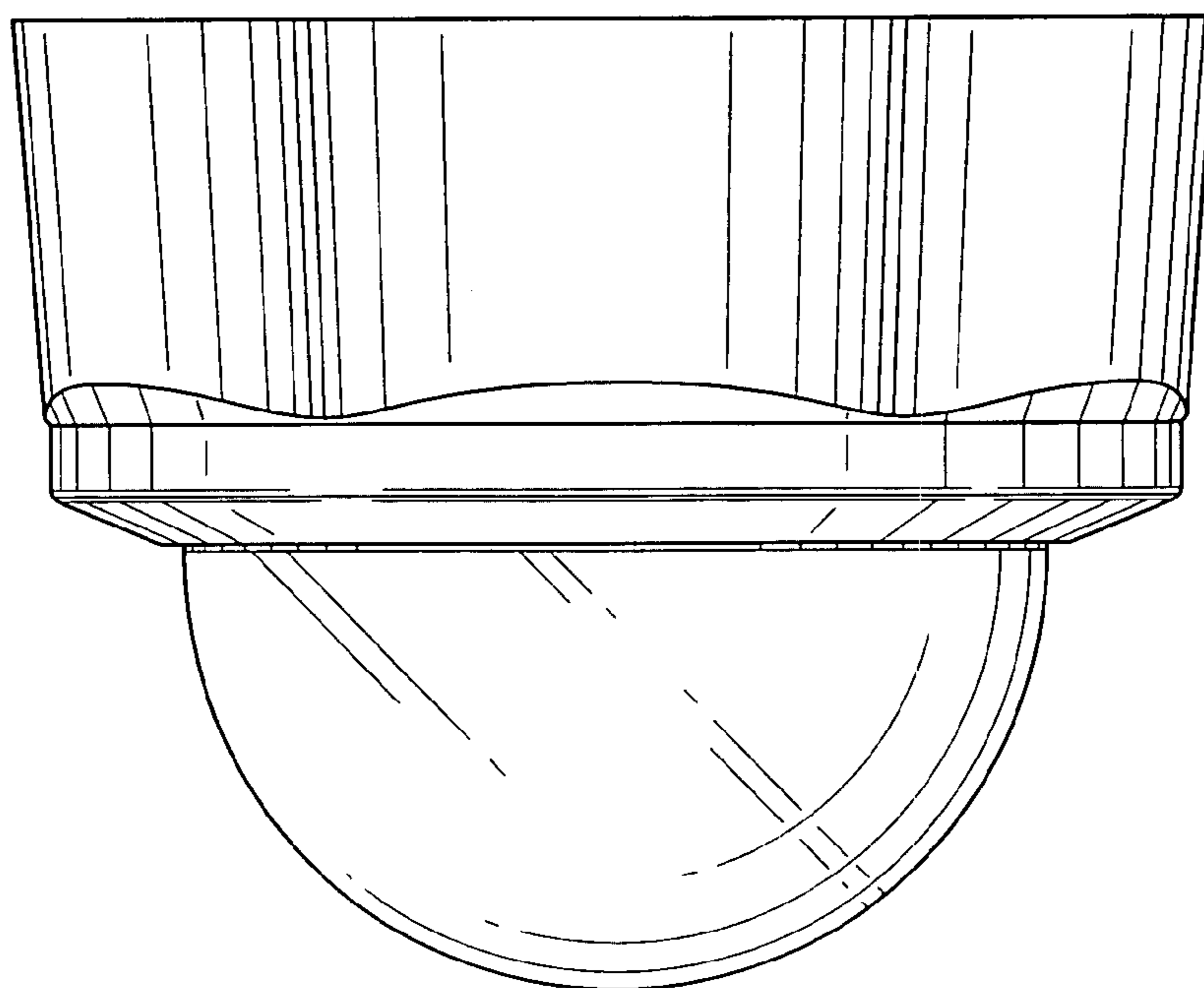


FIG. 5