

US00D564556S

(12) **United States Design Patent**
Narita

(10) **Patent No.:** **US D564,556 S**

(45) **Date of Patent:** **** Mar. 18, 2008**

(54) **CAMCORDER**

D549,261 S * 8/2007 Hayashi et al. D16/202

(75) Inventor: **Tatsuya Narita**, Yokohama (JP)

* cited by examiner

(73) Assignee: **Victor Company of Japan, Limited**,
Yokohama-shi, Kanagawa (JP)

Primary Examiner—Adir Aronovich
(74) *Attorney, Agent, or Firm*—The Nath Law Group; Jerald
L. Meyer; Derek Richmond

(**) Term: **14 Years**

(21) Appl. No.: **29/272,974**

(57) **CLAIM**

(22) Filed: **Feb. 23, 2007**

The ornamental design for a camcorder, as shown and
described.

(30) **Foreign Application Priority Data**

DESCRIPTION

Aug. 24, 2006 (JP) D2006-022344

(51) **LOC (8) Cl.** **16-01**

(52) **U.S. Cl.** **D16/202**

(58) **Field of Classification Search** D16/200–206,
D16/218; 348/373–376; 358/906; 396/535–541
See application file for complete search history.

FIG. 1 is a front perspective view of a camcorder;
FIG. 2 is a rear perspective view thereof;
FIG. 3 is a rear perspective view thereof showing the article
with its monitor panel opened;
FIG. 4 is a front view thereof;
FIG. 5 is a rear view thereof;
FIG. 6 is a left side view thereof;
FIG. 7 is a right side view thereof;
FIG. 8 is a top plan view thereof; and,
FIG. 9 is a bottom plan view thereof.

(56) **References Cited**

U.S. PATENT DOCUMENTS

5,729,291	A	*	3/1998	Tanaka et al.	348/373
D413,911	S	*	9/1999	Goto et al.	D16/202
D435,575	S	*	12/2000	Kanatani	D16/202
6,219,489	B1	*	4/2001	Ohta et al.	358/906
D455,769	S	*	4/2002	Owada	D16/202
D473,578	S	*	4/2003	Kondoh et al.	D16/202
D499,438	S	*	12/2004	Shimizu	D16/202
D505,438	S	*	5/2005	Kojima et al.	D16/202

The broken line showing on the drawing disclosure is for
illustrative purposes only and forms no part of the claimed
design.

1 Claim, 9 Drawing Sheets

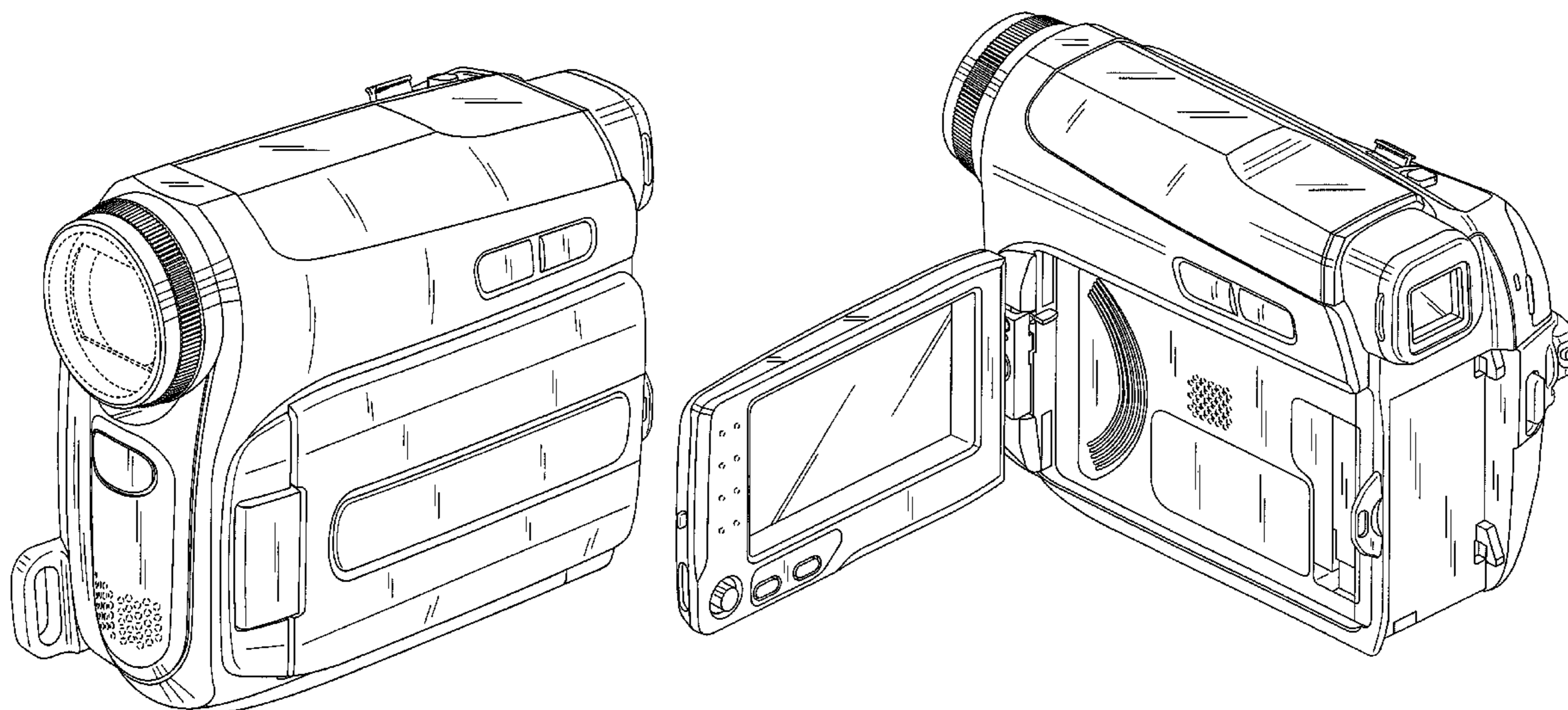


Fig.1

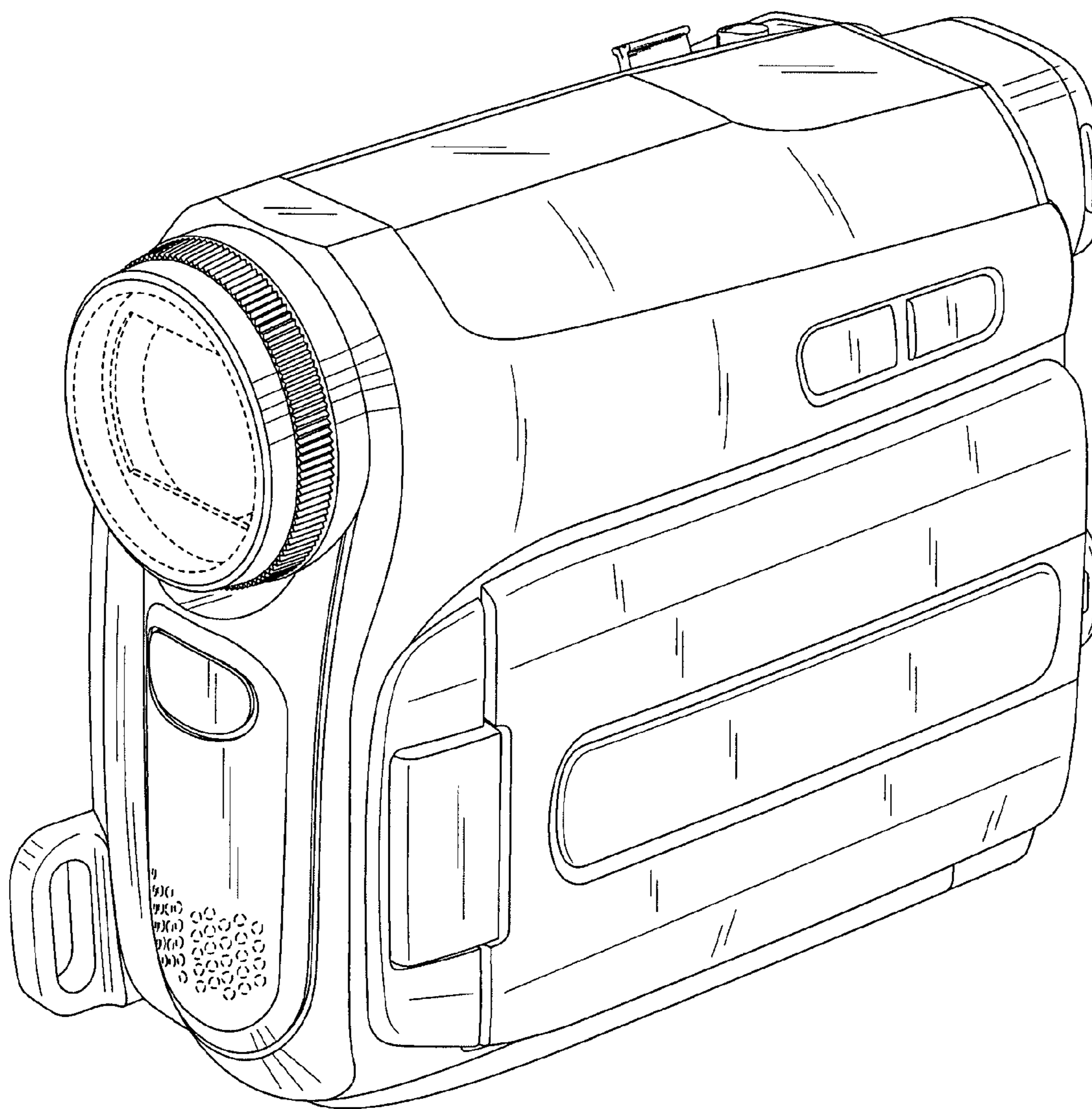
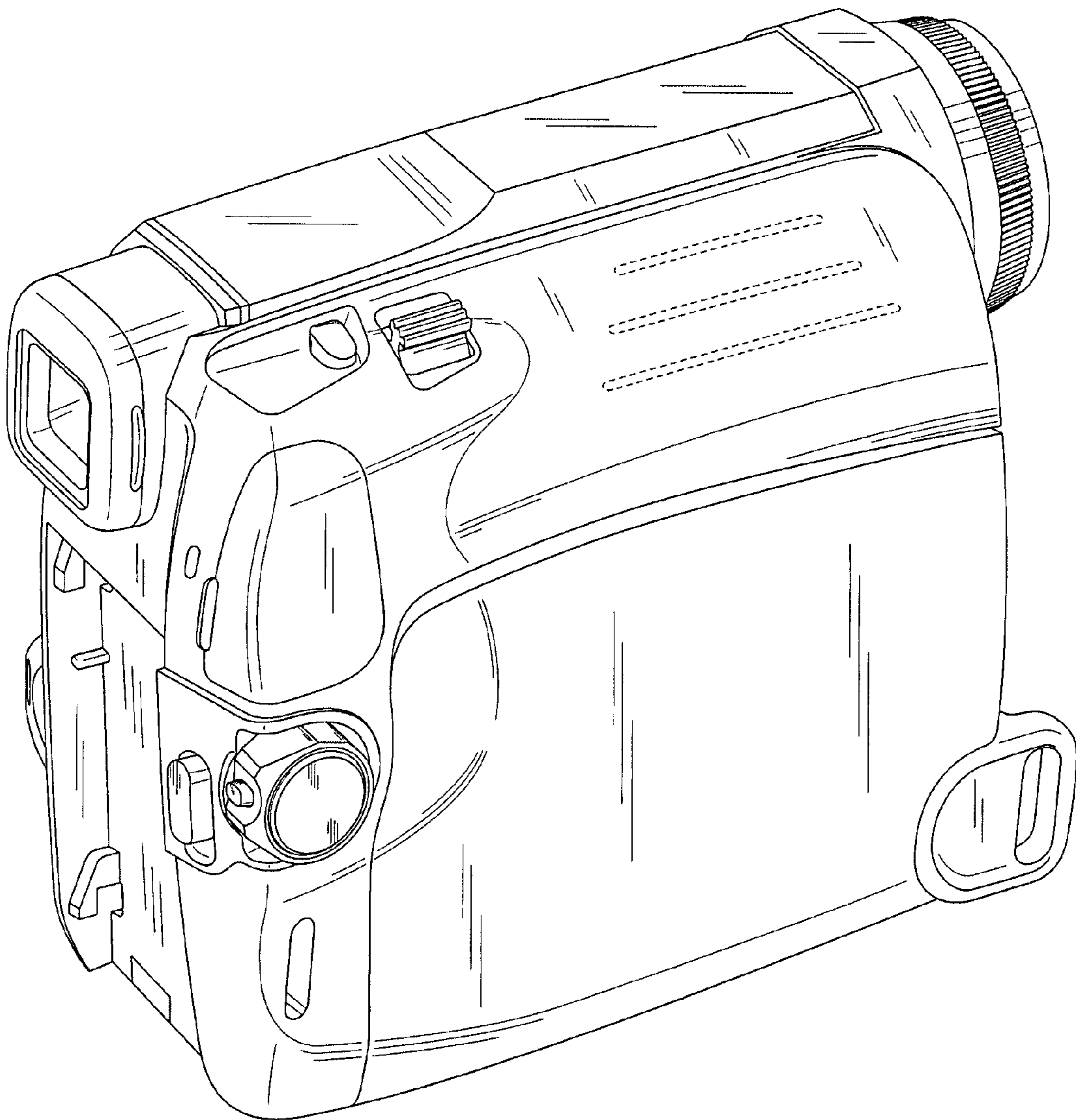


Fig.2



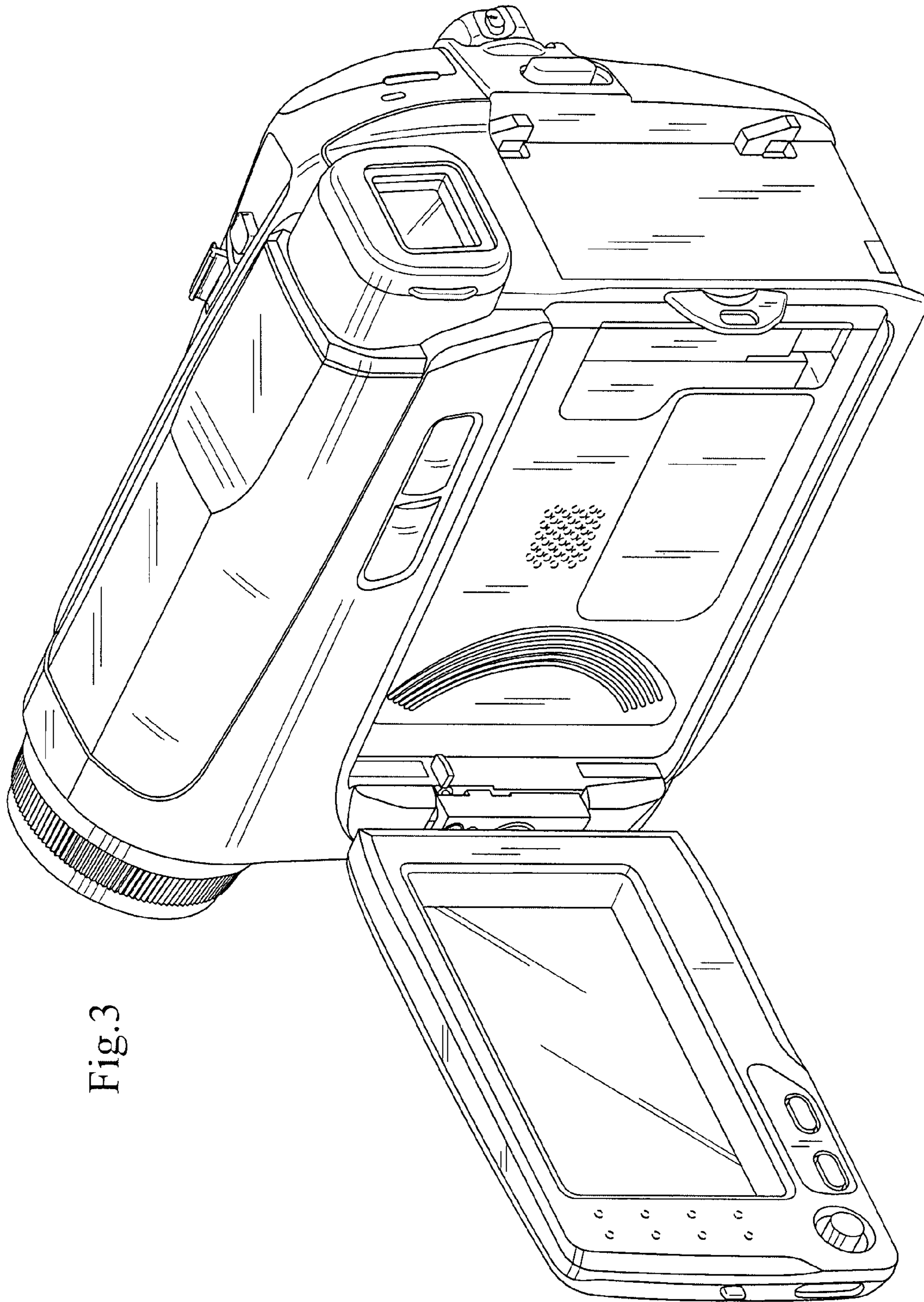


Fig.3

Fig.4

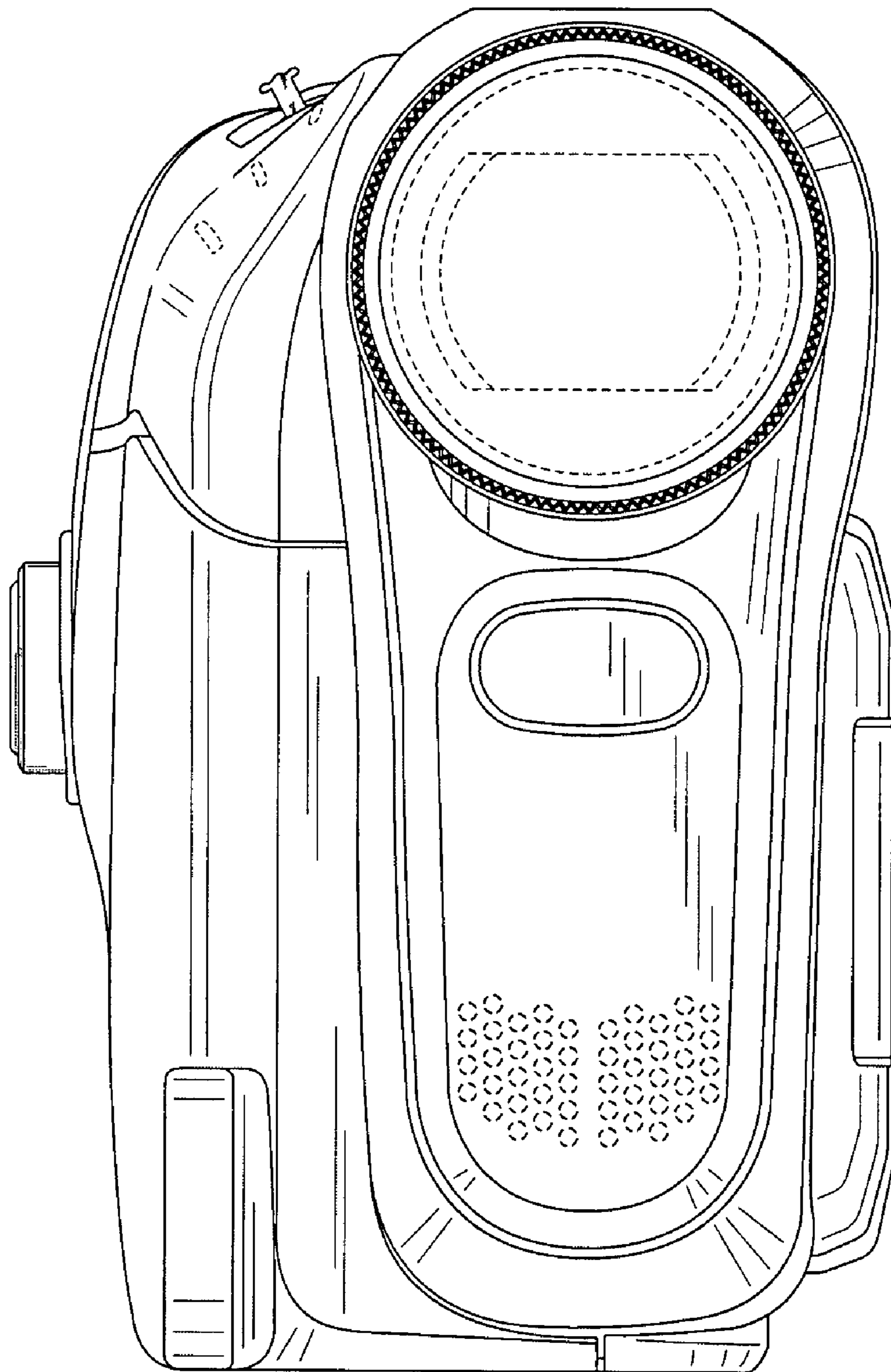


Fig.5

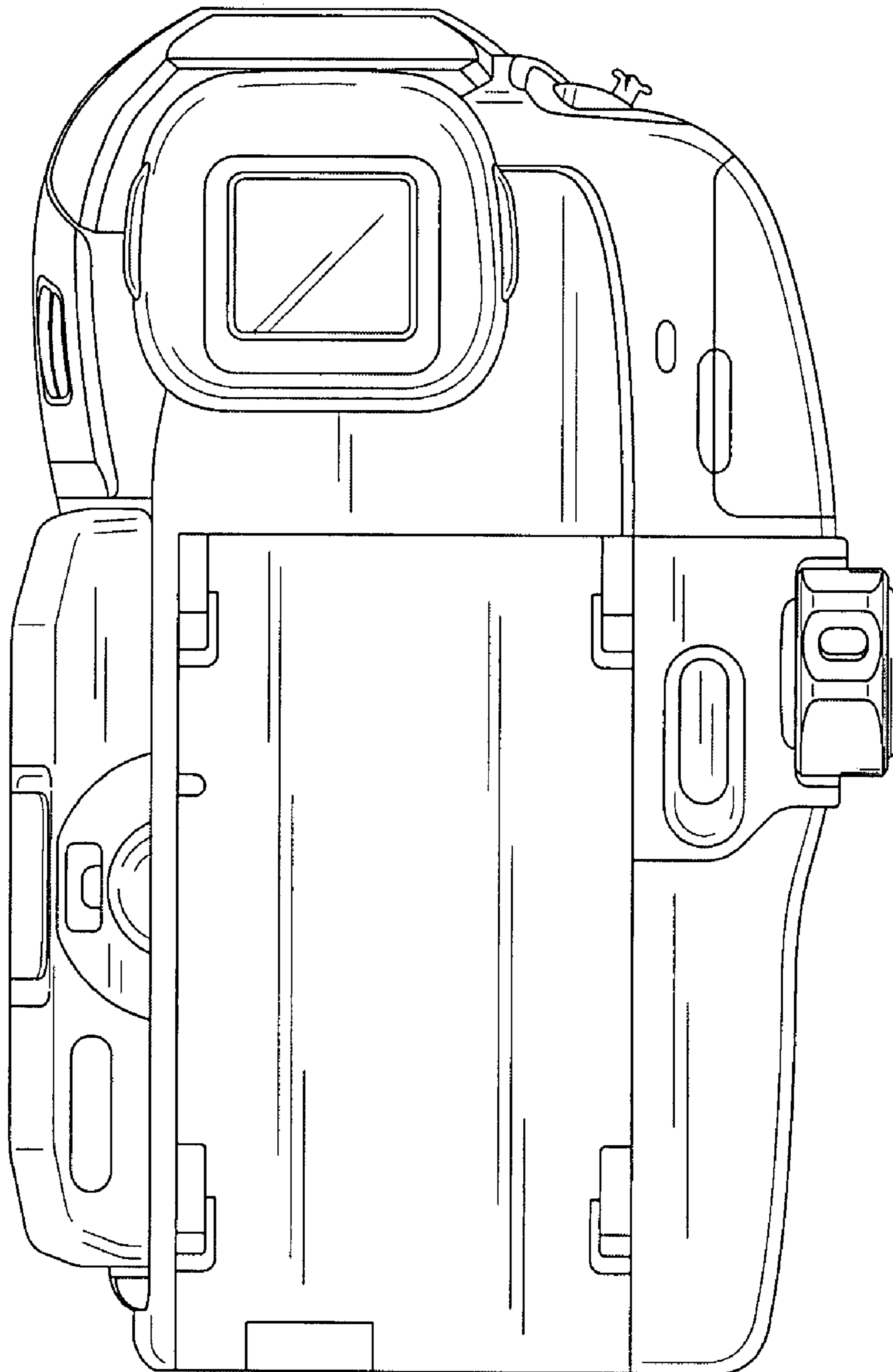


Fig.6

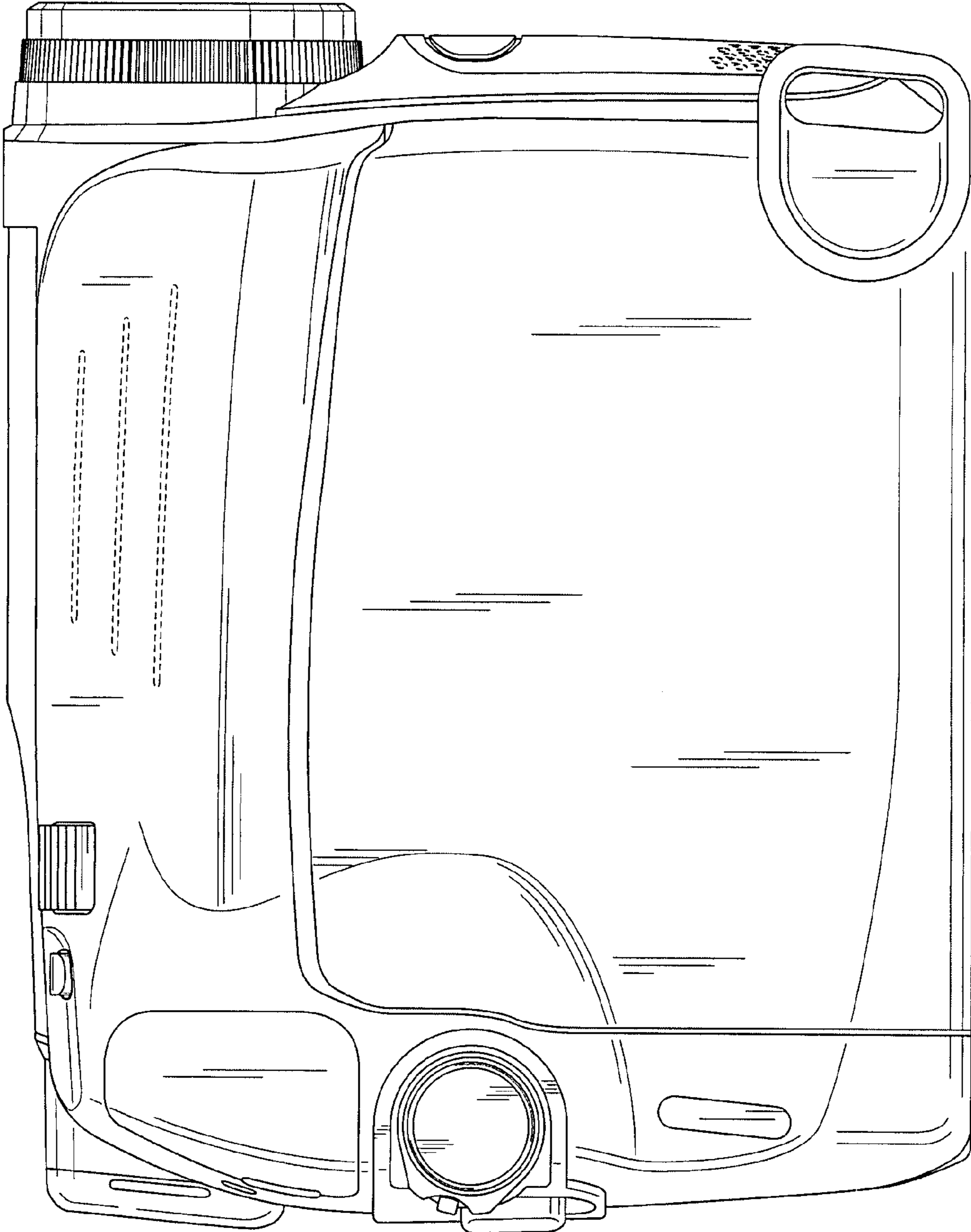


Fig.7

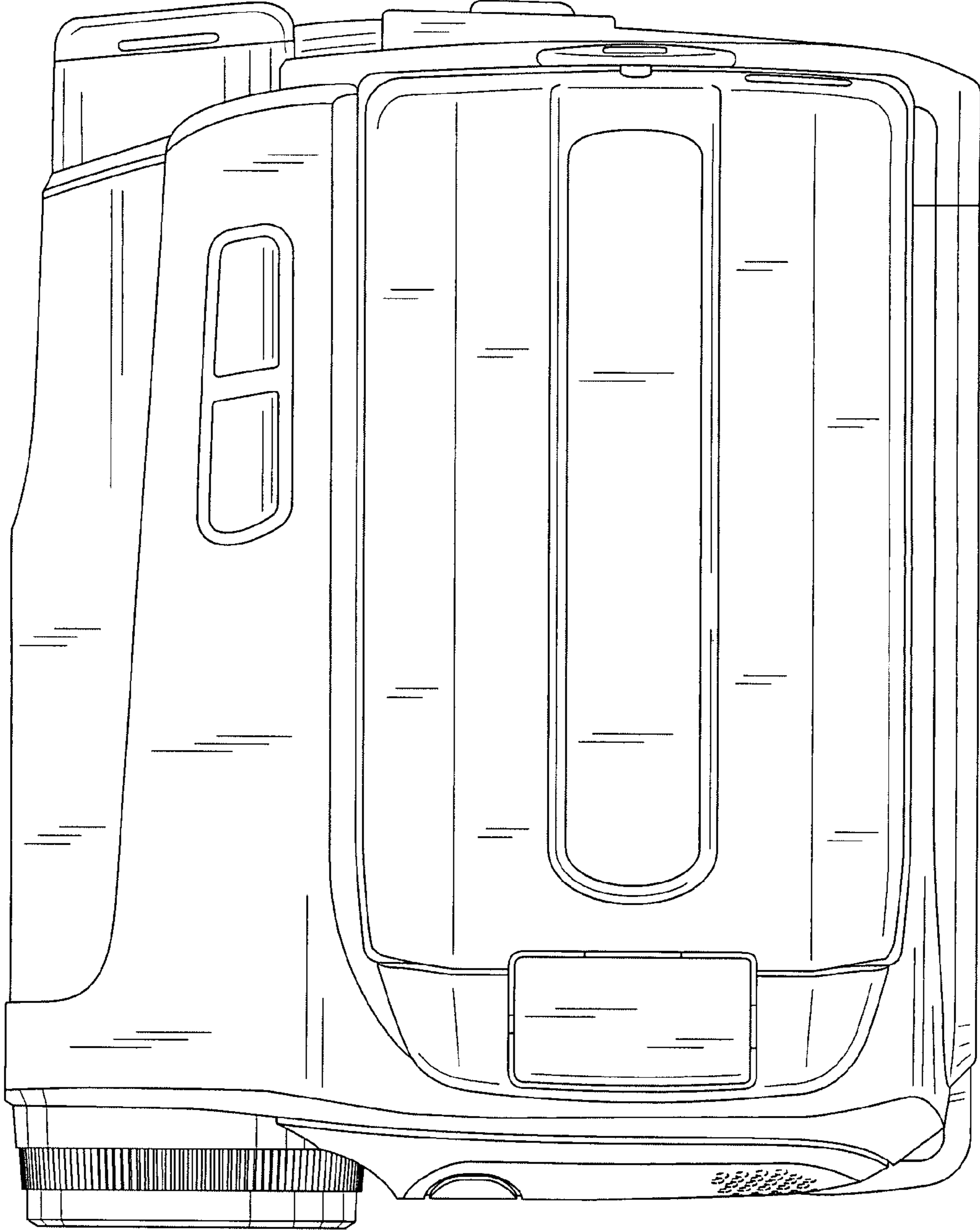


Fig.8

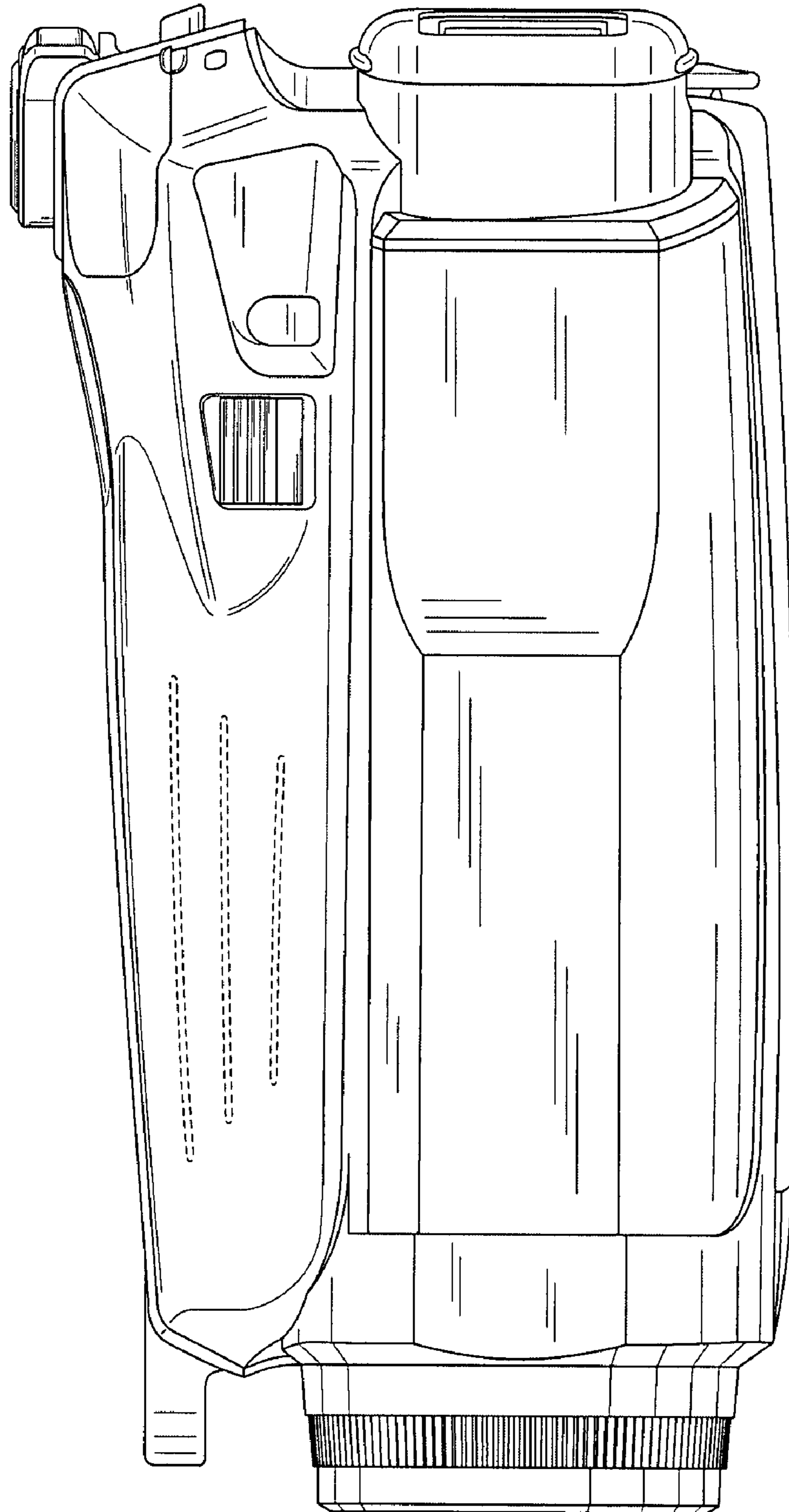


Fig.9

