



US00D564555S

(12) **United States Design Patent**
Palmer

(10) **Patent No.:** **US D564,555 S**

(45) **Date of Patent:** **** Mar. 18, 2008**

(54) **LOW-LIGHT VIEWING DEVICE**

(75) Inventor: **Gary Palmer**, Carlsbad, CA (US)

(73) Assignee: **Xenonics Holdings, Inc.**

(**) Term: **14 Years**

(21) Appl. No.: **29/271,334**

(22) Filed: **Jan. 16, 2007**

(51) **LOC (8) Cl.** **16-06**

(52) **U.S. Cl.** **D16/132**

(58) **Field of Classification Search** D16/130,
D16/132, 202-203, 220; 348/373-375; 356/251;
250/214 VT; 359/353, 382, 383-384, 399,
359/405, 407, 409, 411, 412, 413, 415, 419,
359/420, 428, 430

See application file for complete search history.

(56) **References Cited**

U.S. PATENT DOCUMENTS

D228,027 S *	7/1973	Heckel et al.	D16/132
D325,041 S *	3/1992	Wissing et al.	D16/132
D351,397 S *	10/1994	Dor	D16/130
D380,222 S *	6/1997	Bryant	D16/132
D413,130 S *	8/1999	Bryant et al.	D16/132

D418,853 S *	1/2000	Kubota	D16/203
6,288,386 B1 *	9/2001	Bowen et al.	250/214 VT
D463,809 S *	10/2002	Lo	D16/202
D528,577 S *	9/2006	Byun et al.	D16/202
D547,780 S *	7/2007	Meinzer	D16/132

* cited by examiner

Primary Examiner—Paula A. Greene

(74) *Attorney, Agent, or Firm*—Howard IP Law Group, PC

(57) **CLAIM**

The ornamental design for a low-light viewing device, as shown and described.

DESCRIPTION

FIG. 1 is a perspective view of a low-light viewing device showing my new design;

FIG. 2 is a front view thereof;

FIG. 3 is a rear view thereof;

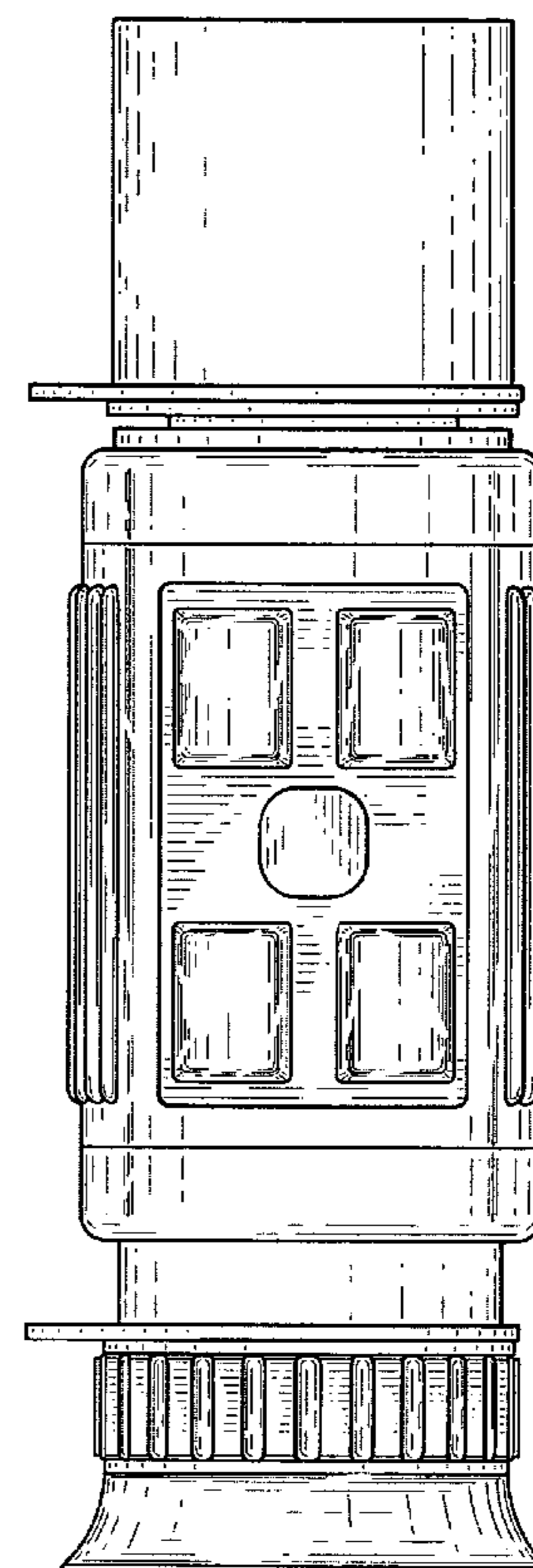
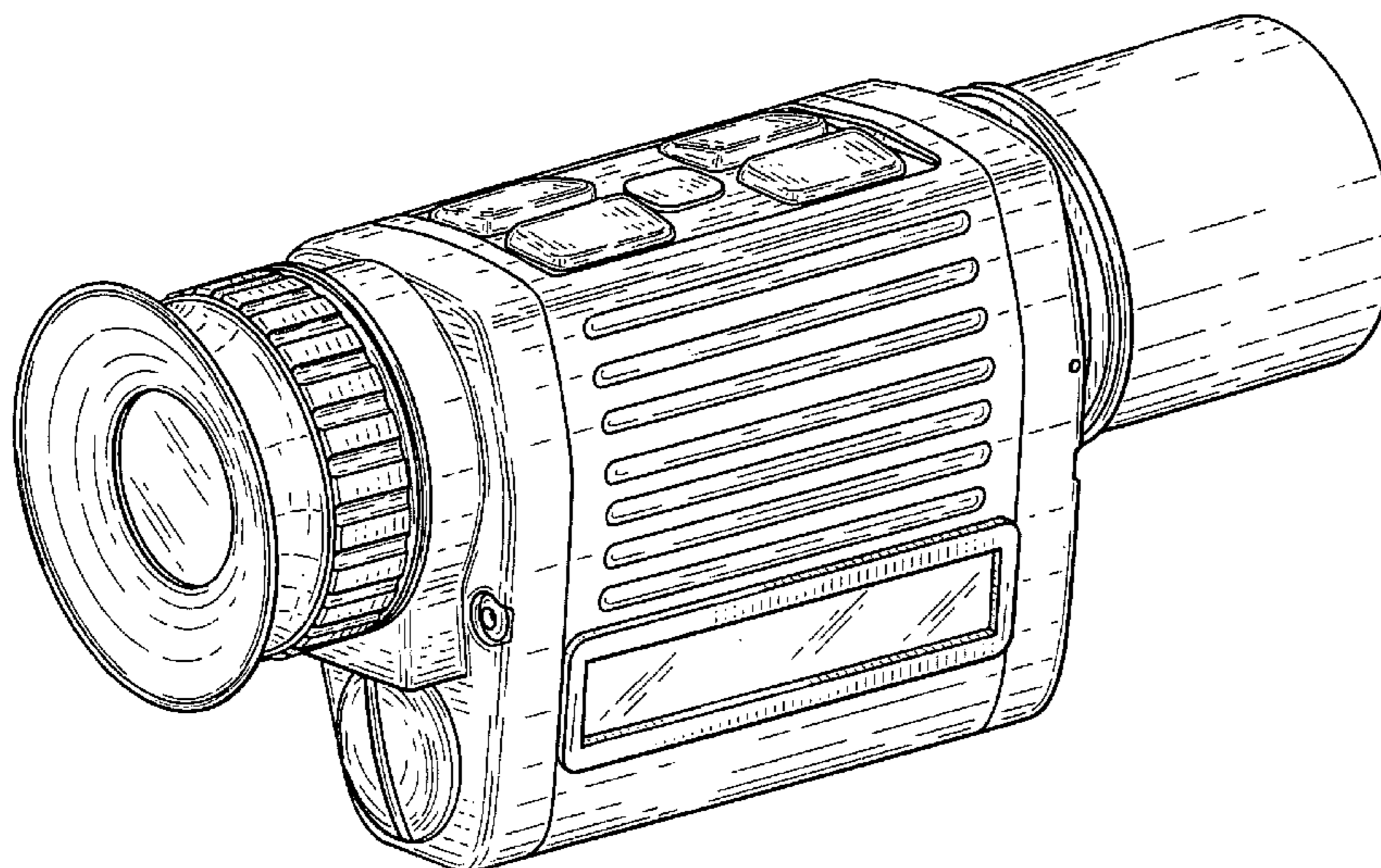
FIG. 4 is a left-side elevational view thereof;

FIG. 5 is a right-side elevational view thereof;

FIG. 6 is a top view thereof; and,

FIG. 7 is a bottom view thereof.

1 Claim, 6 Drawing Sheets



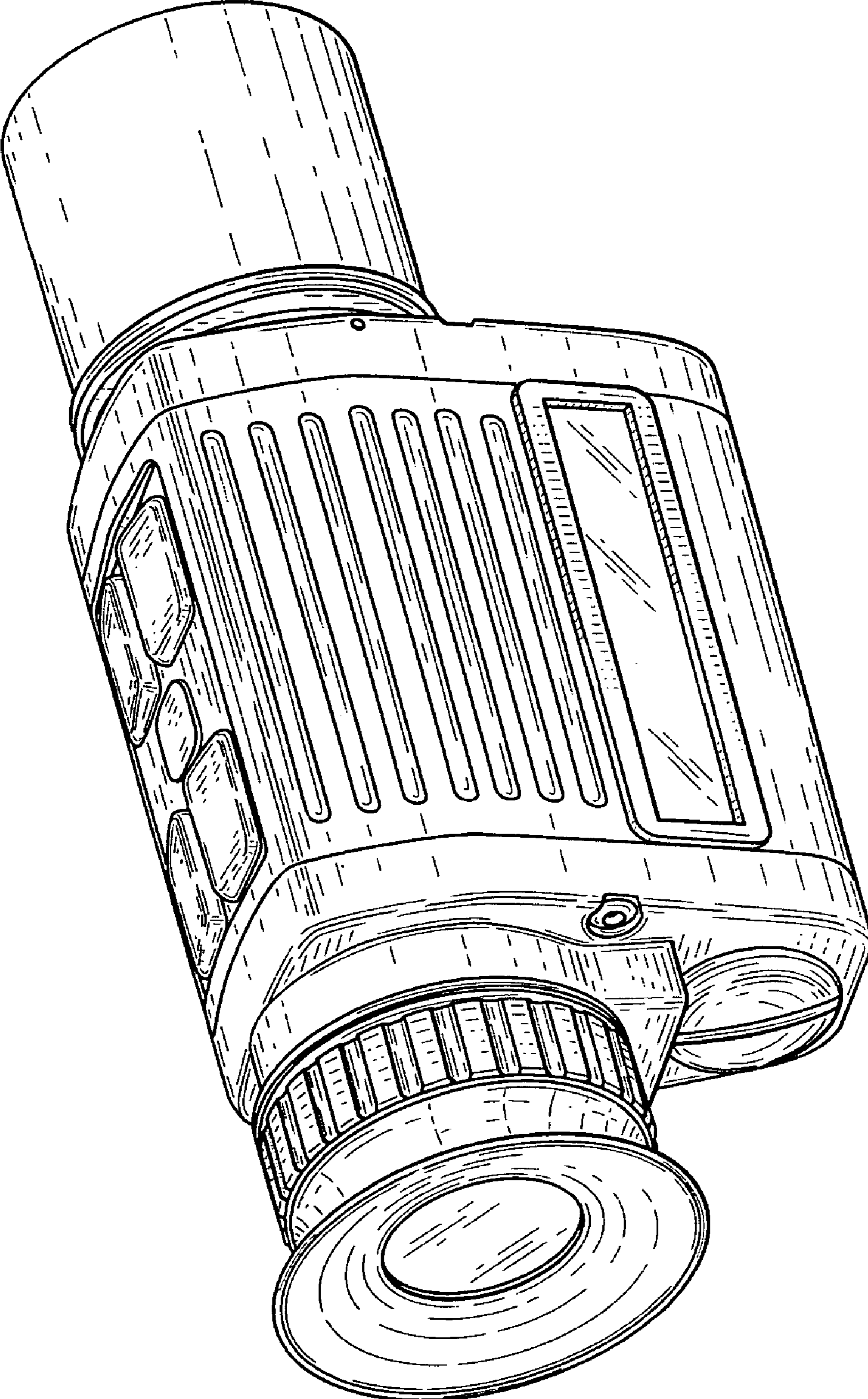


FIG. 1

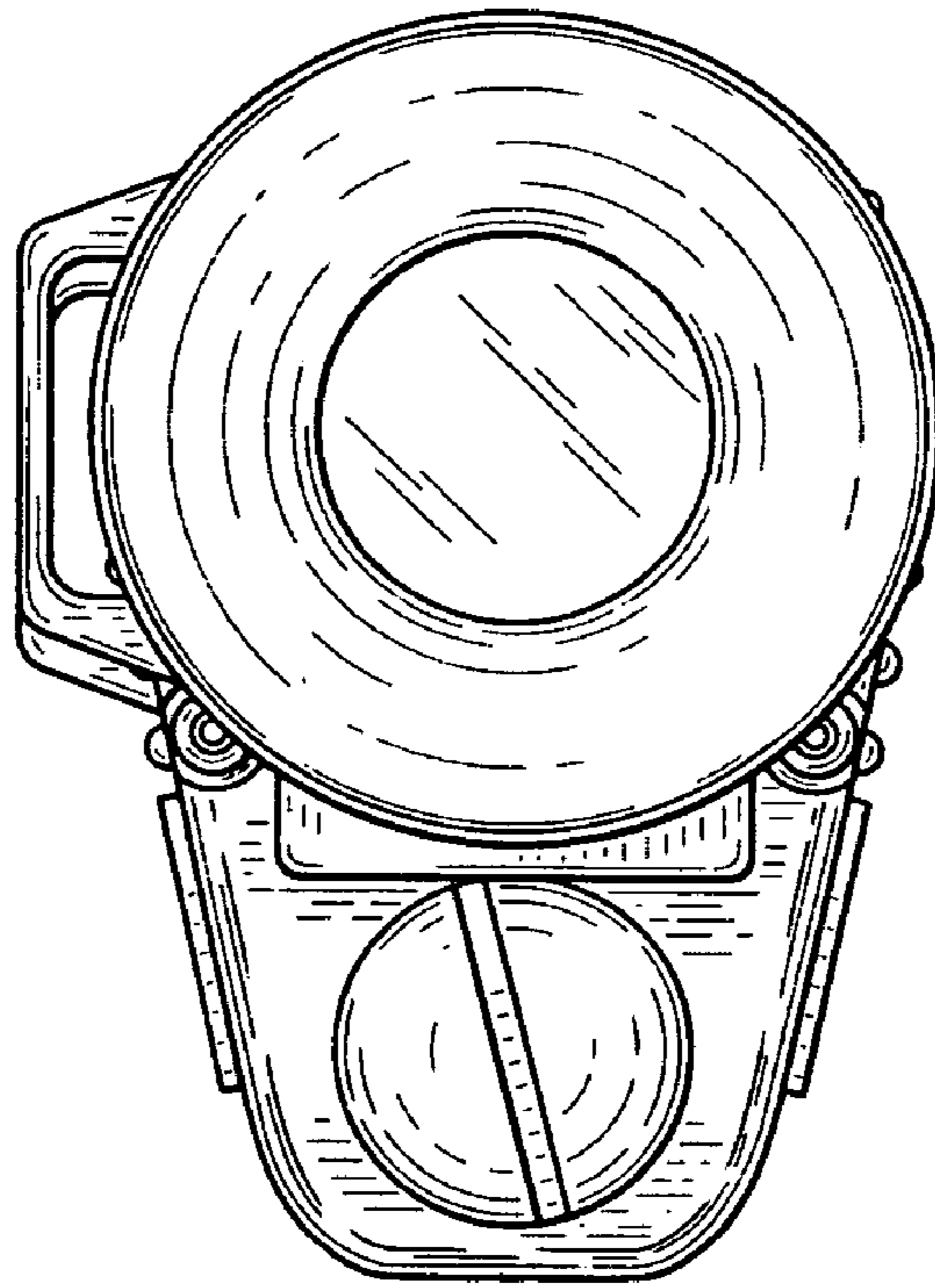


FIG. 2

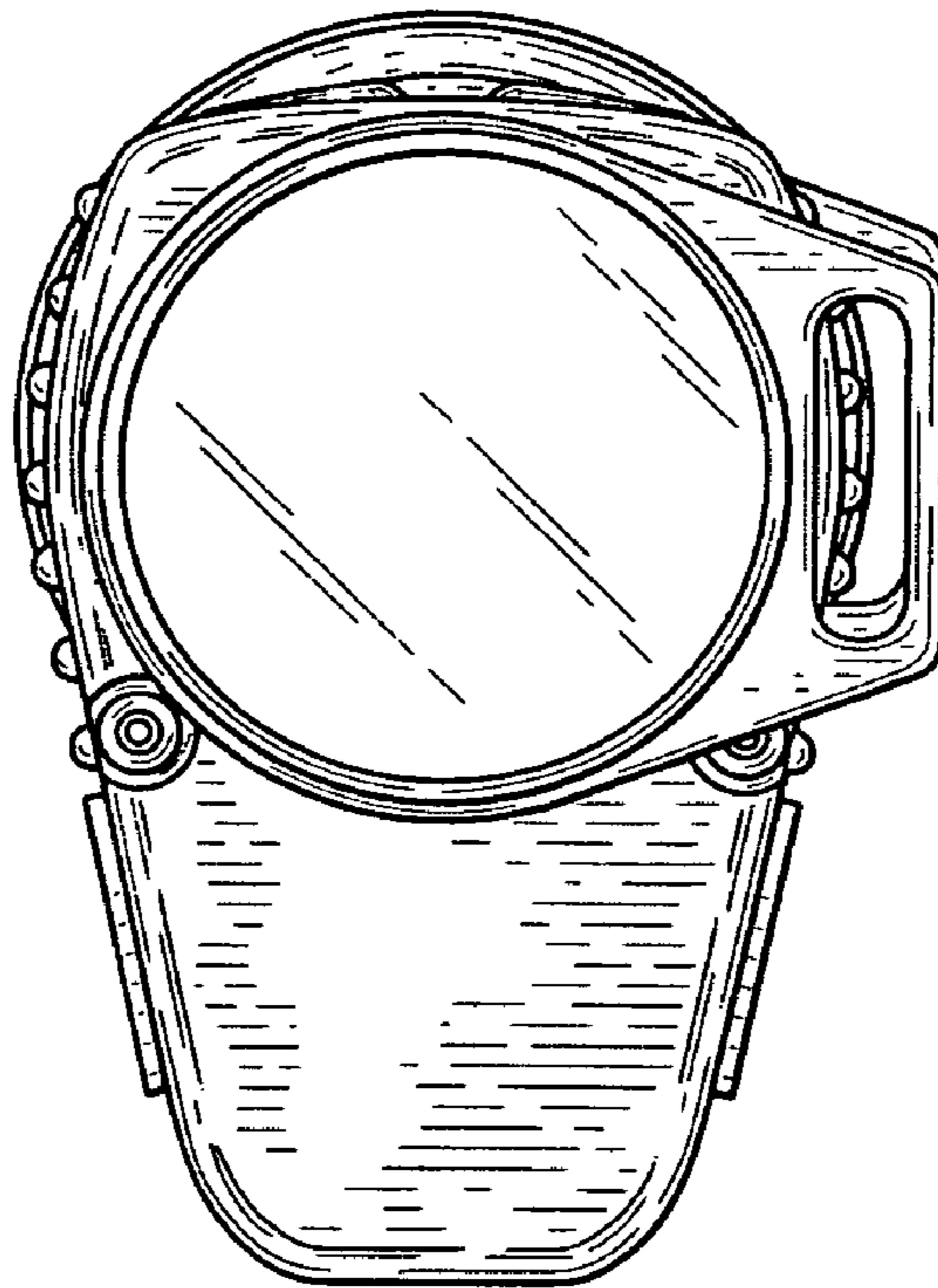


FIG. 3

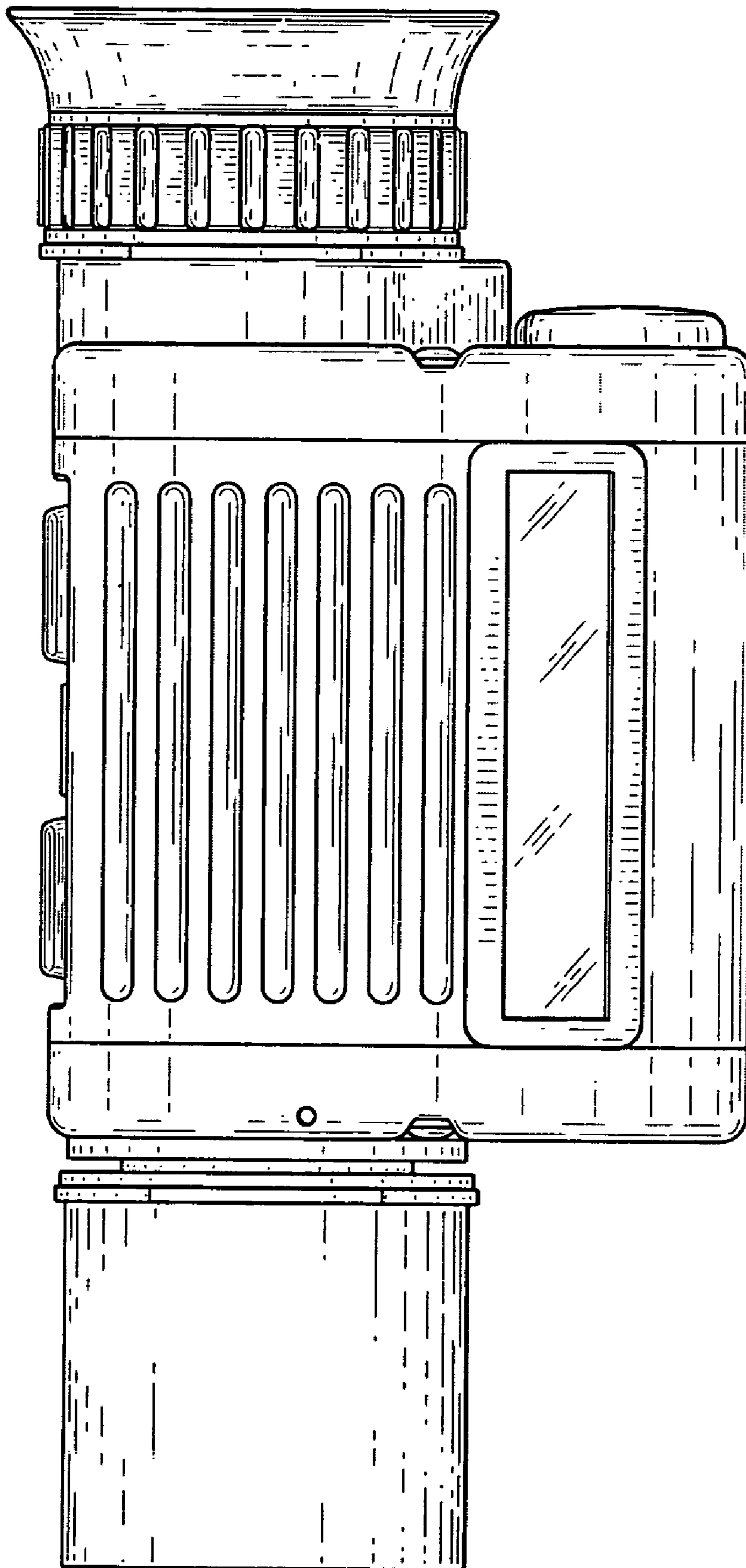


FIG. 4

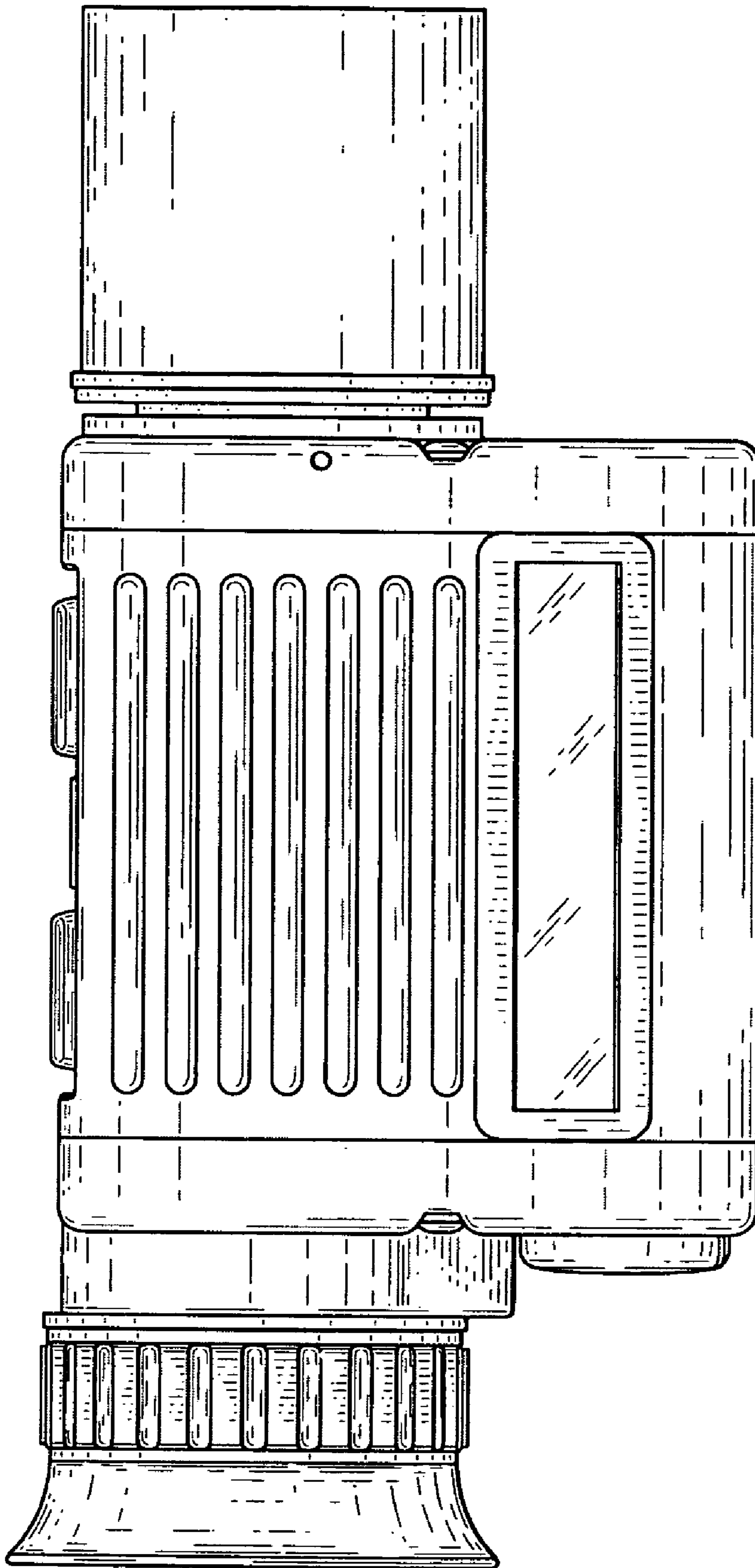


FIG. 5

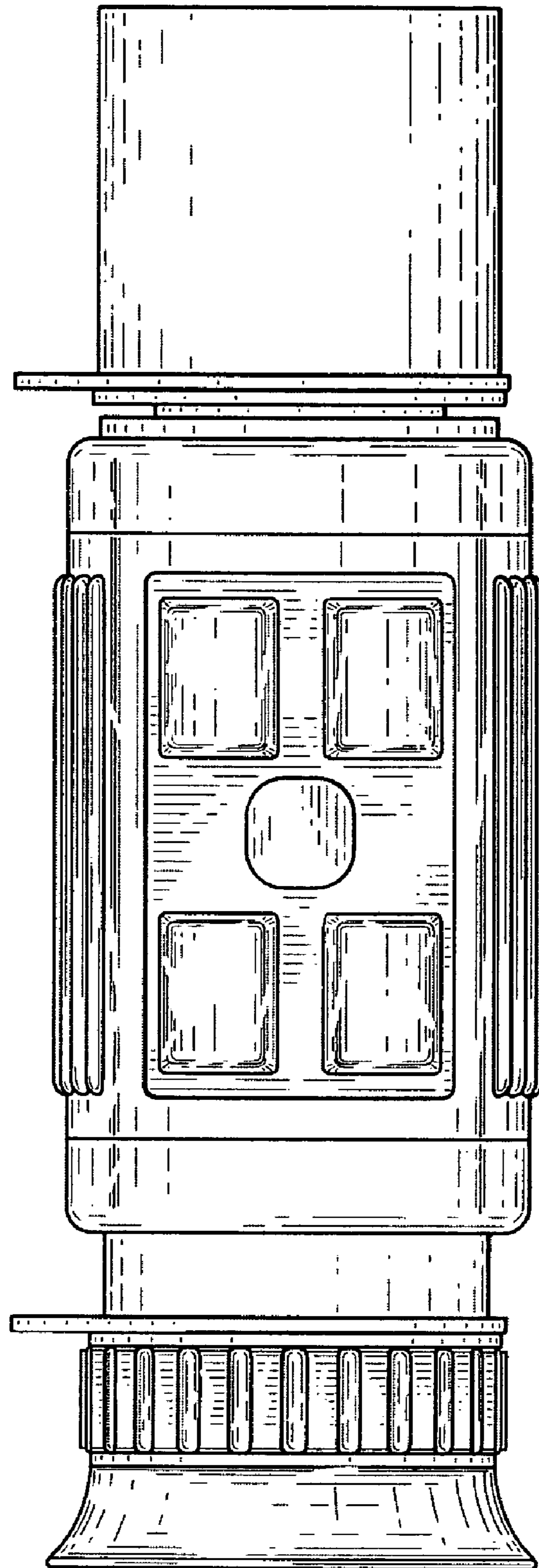


FIG. 6

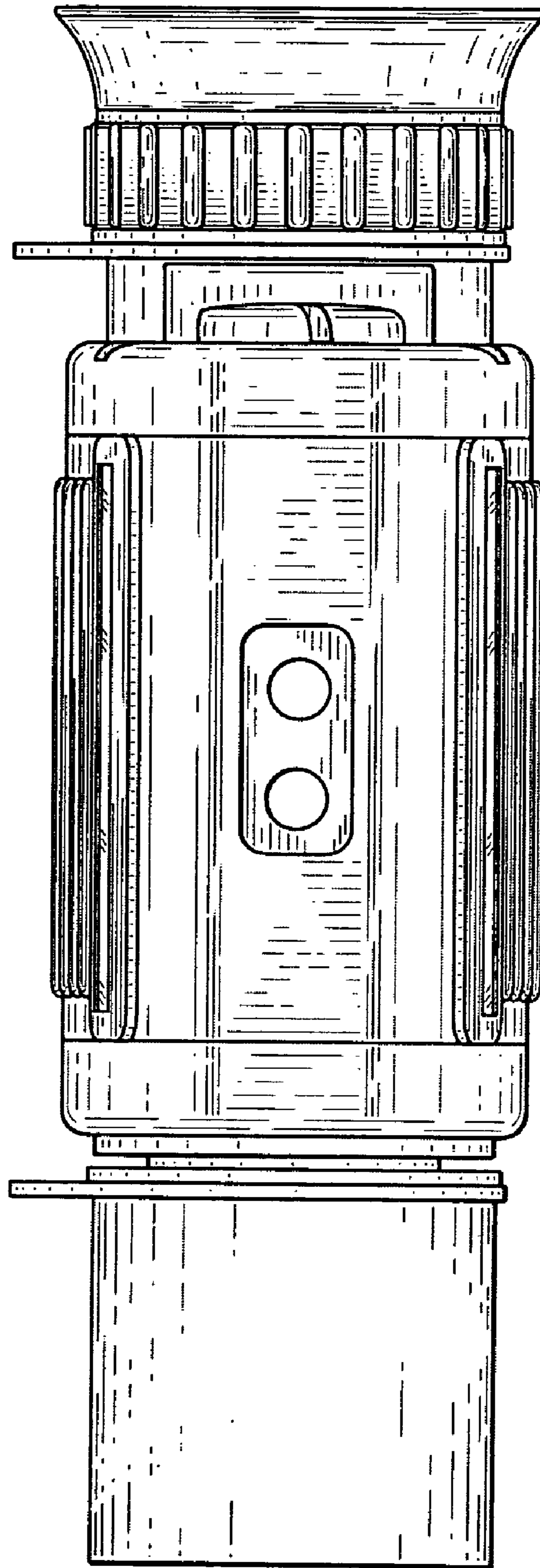


FIG. 7