



US00D564553S

(12) **United States Design Patent**
Yip et al.

(10) **Patent No.:** **US D564,553 S**
(45) **Date of Patent:** **** Mar. 18, 2008**

(54) **MICROSCOPE**

D537,459 S * 2/2007 Yip et al. D16/131
D539,317 S * 3/2007 Tonhofer D16/132
7,221,402 B2 * 5/2007 Cheng 348/375

(75) Inventors: **Gin Fai Yip**, North Point (HK); **Bryan Yip**, Kowloon (HK)

* cited by examiner

(73) Assignee: **Leading Extreme Optimist Industries, Ltd.**, Chai Wan (HK)

Primary Examiner—Paula A. Greene

(74) *Attorney, Agent, or Firm*—Carmody & Torrance LLP

(**) Term: **14 Years**

(57) **CLAIM**

(21) Appl. No.: **29/264,470**

The ornamental design for a microscope, as shown and described.

(22) Filed: **Aug. 10, 2006**

(51) **LOC (8) Cl.** **16-06**

DESCRIPTION

(52) **U.S. Cl.** **D16/131**

(58) **Field of Classification Search** D16/131–133,
D16/202–203, 216–218, 352; D14/156,
D14/168, 192; 359/402–403, 405, 407, 409,
359/411, 412–413, 418–419, 428, 438, 119,
359/353, 815, 819, 744

FIG. 1 is a perspective view of a microscope showing our new design;

FIG. 2 is a second perspective view of FIG. 1 showing the telescoping nature of the eyepiece;

FIG. 3 is a top plan view of FIG. 1;

FIG. 4 is a bottom plan view of FIG. 1;

FIG. 5 is a right side elevational view of FIG. 1;

FIG. 6 is a left side elevational view of FIG. 1;

FIG. 7 is a first end elevational view of FIG. 1; and,

FIG. 8 is a second end elevational view of FIG. 1.

See application file for complete search history.

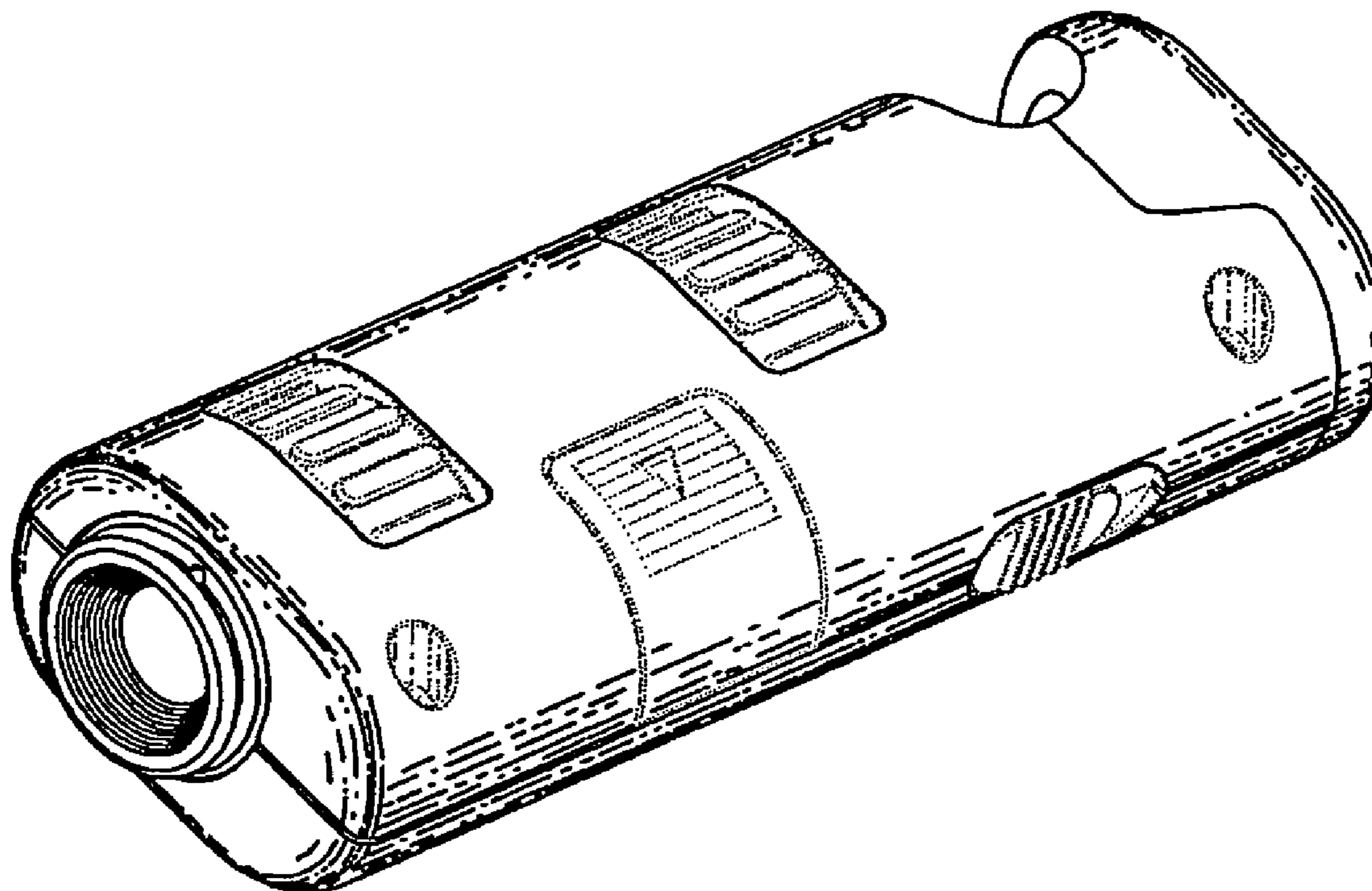
The dotted lines are intended to show features that are environmental only and form no part of the claimed design. All surface lines are merely intended to illustrate the contour of the surfaces represented.

(56) **References Cited**

U.S. PATENT DOCUMENTS

D311,924 S * 11/1990 Loyd et al. D16/203
D331,934 S * 12/1992 Tak D16/131
D349,295 S * 8/1994 Weidemann D16/131
D349,907 S * 8/1994 Allmendinger D16/202
D371,786 S * 7/1996 Maeyama D14/168
D418,853 S * 1/2000 Kubota D16/203
D433,430 S * 11/2000 Meinzer D16/132
D523,886 S * 6/2006 Wen et al. D16/202
D528,143 S * 9/2006 Walter et al. D16/203

1 Claim, 6 Drawing Sheets



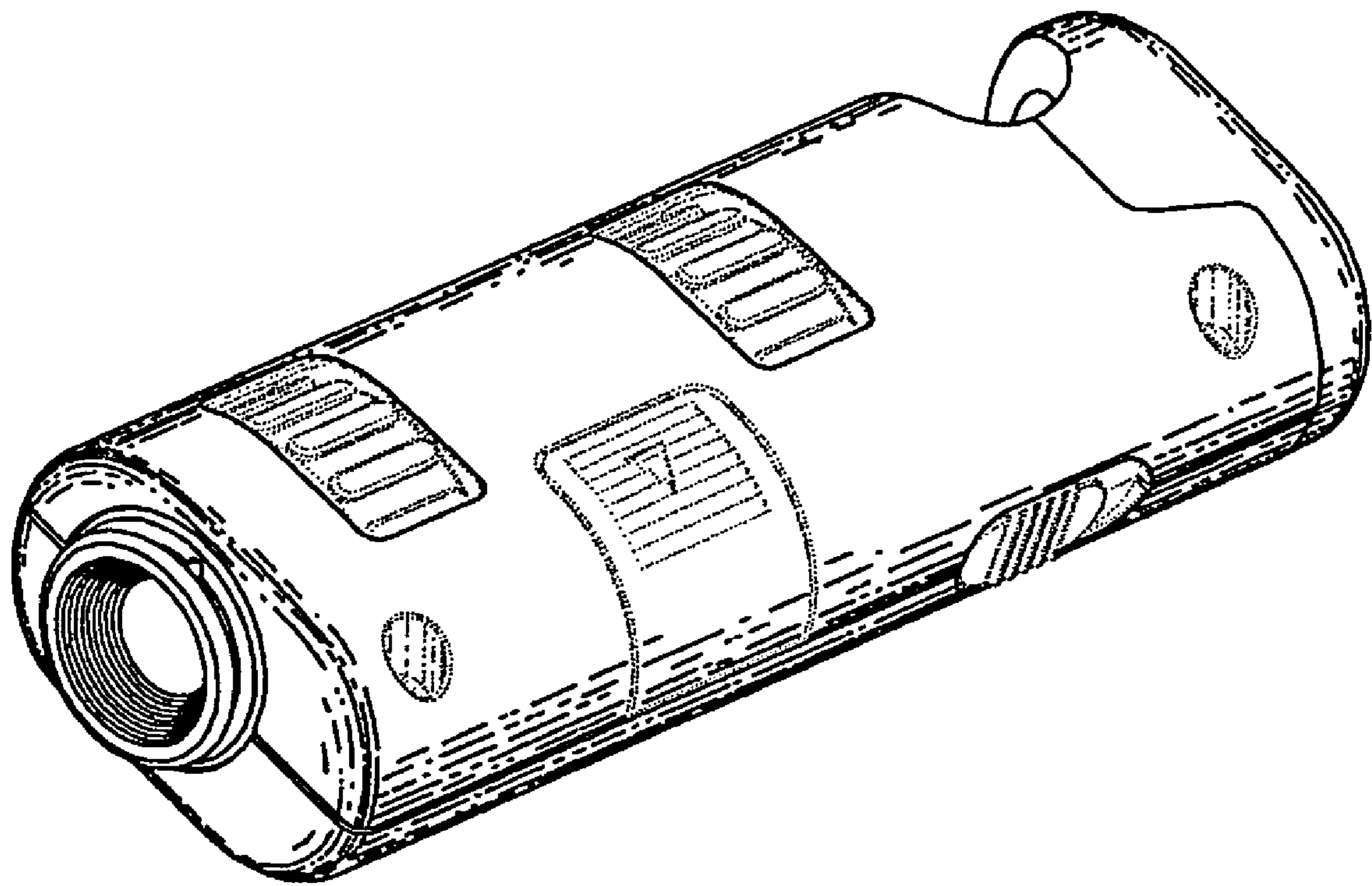


FIG. 1

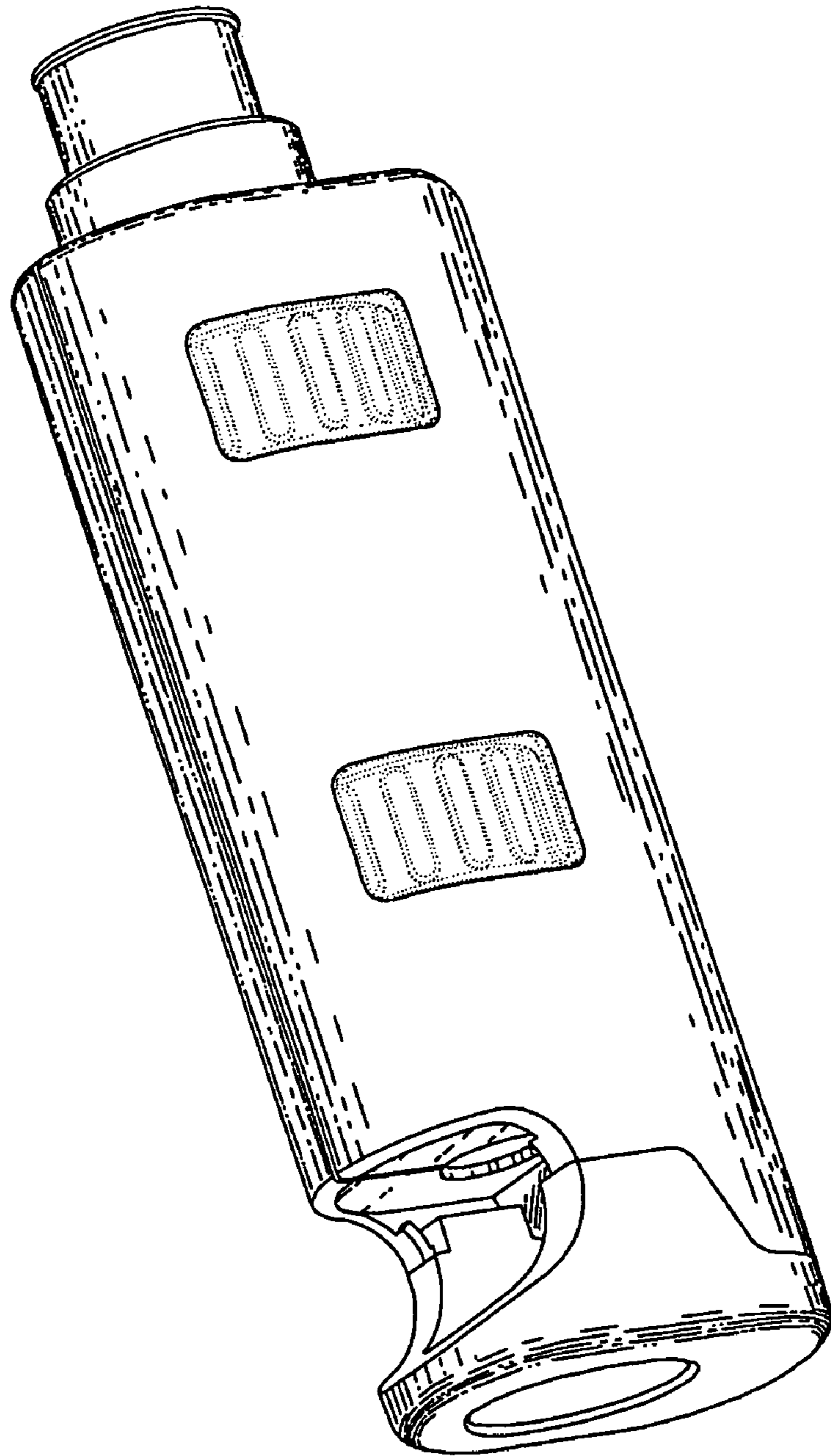


FIG. 2

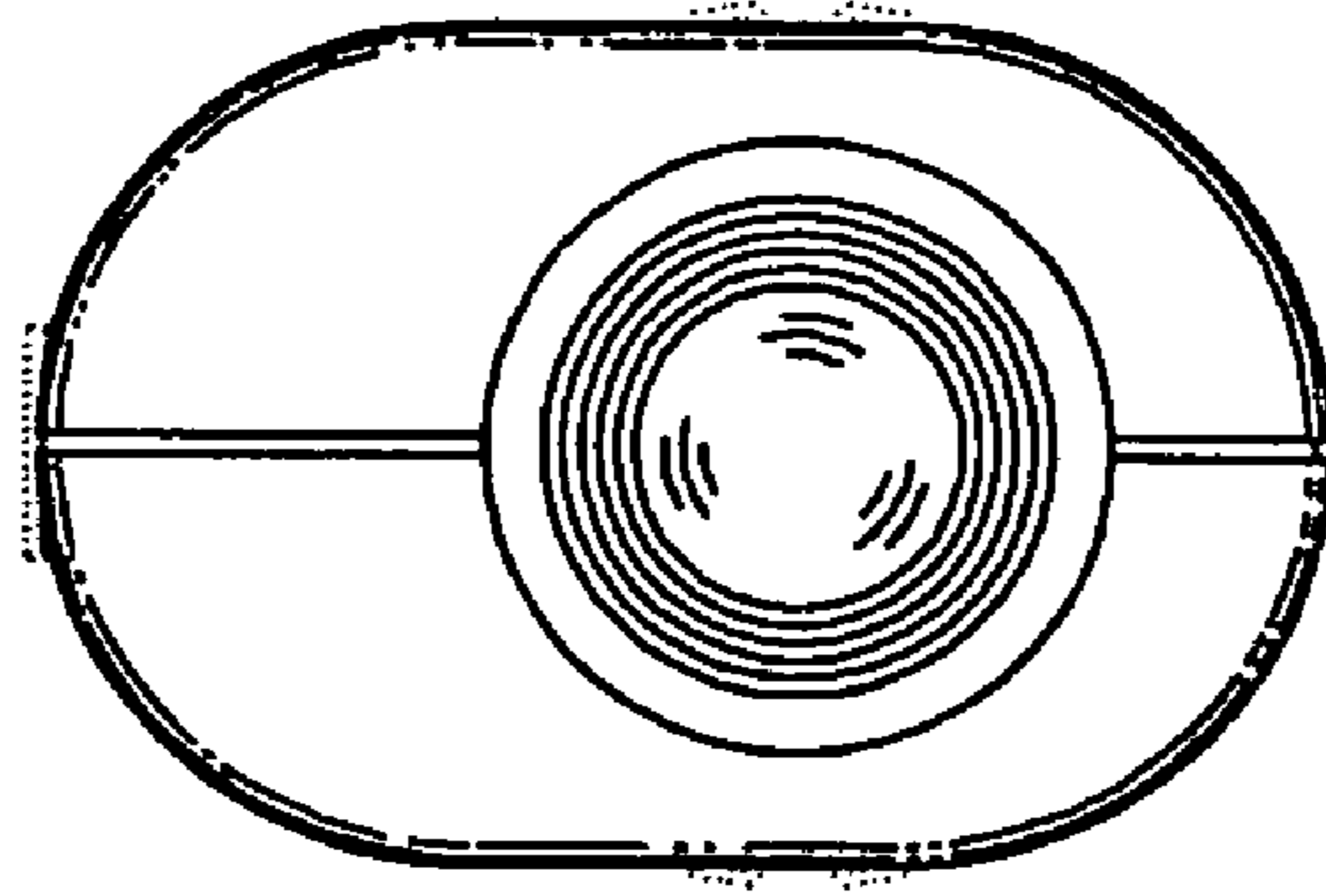


FIG. 3

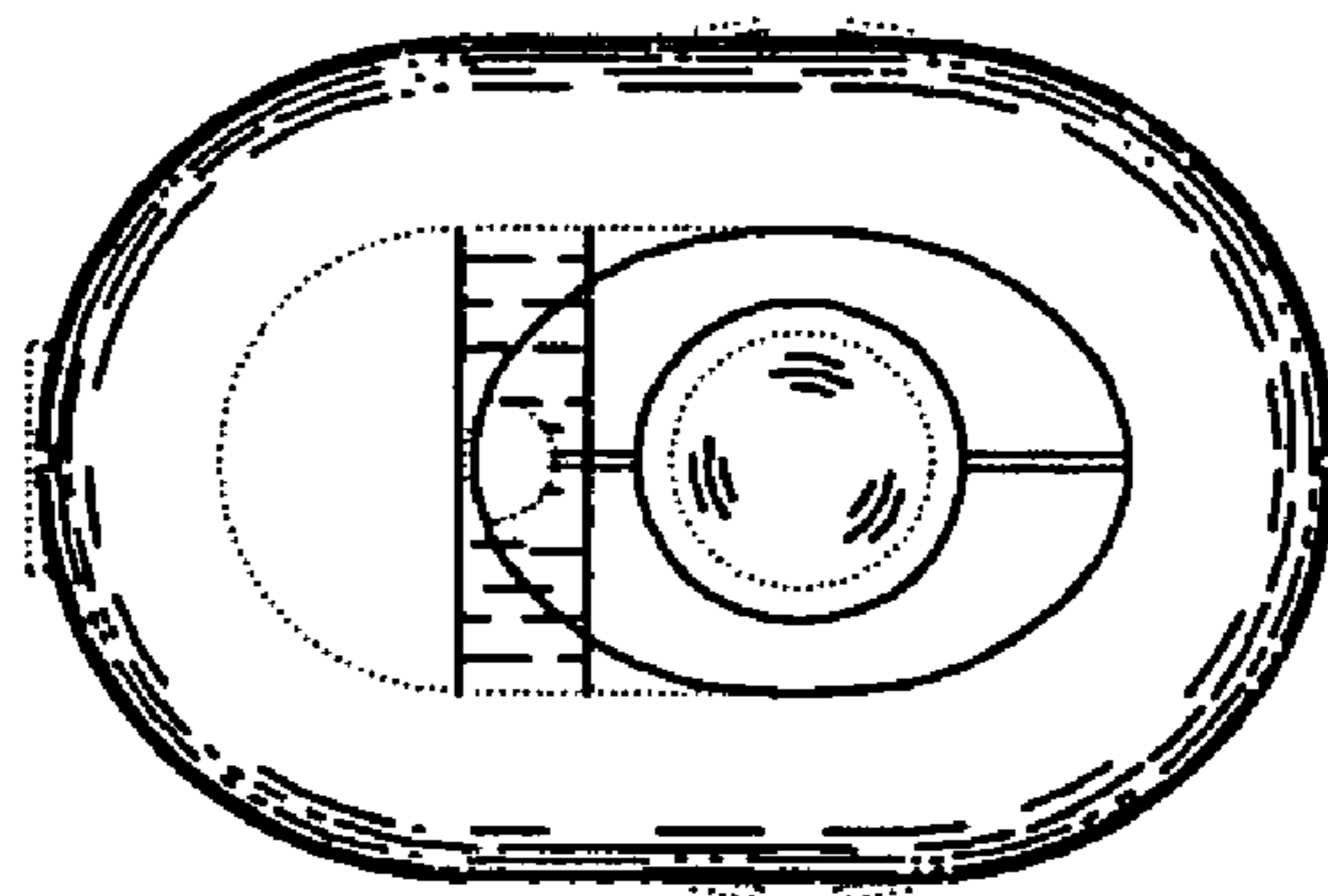


FIG. 4

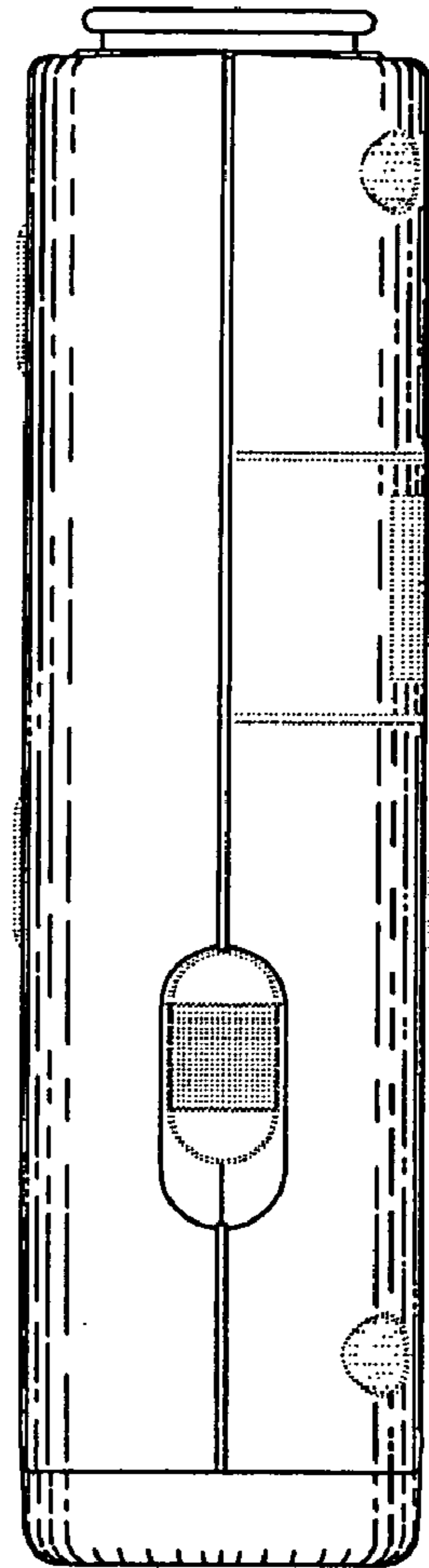
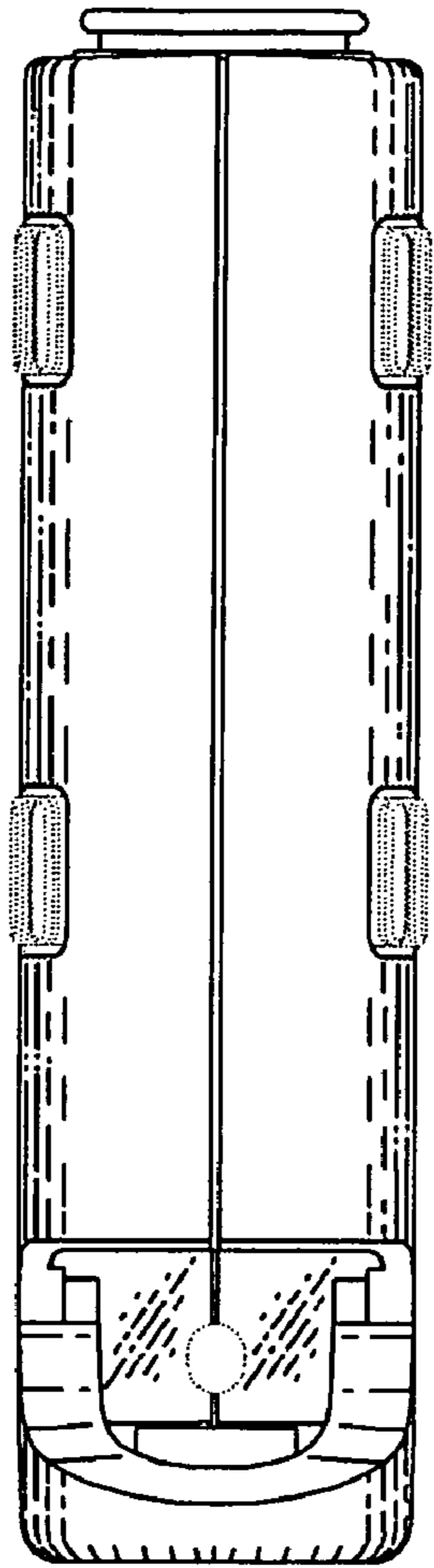


FIG. 5

FIG. 6

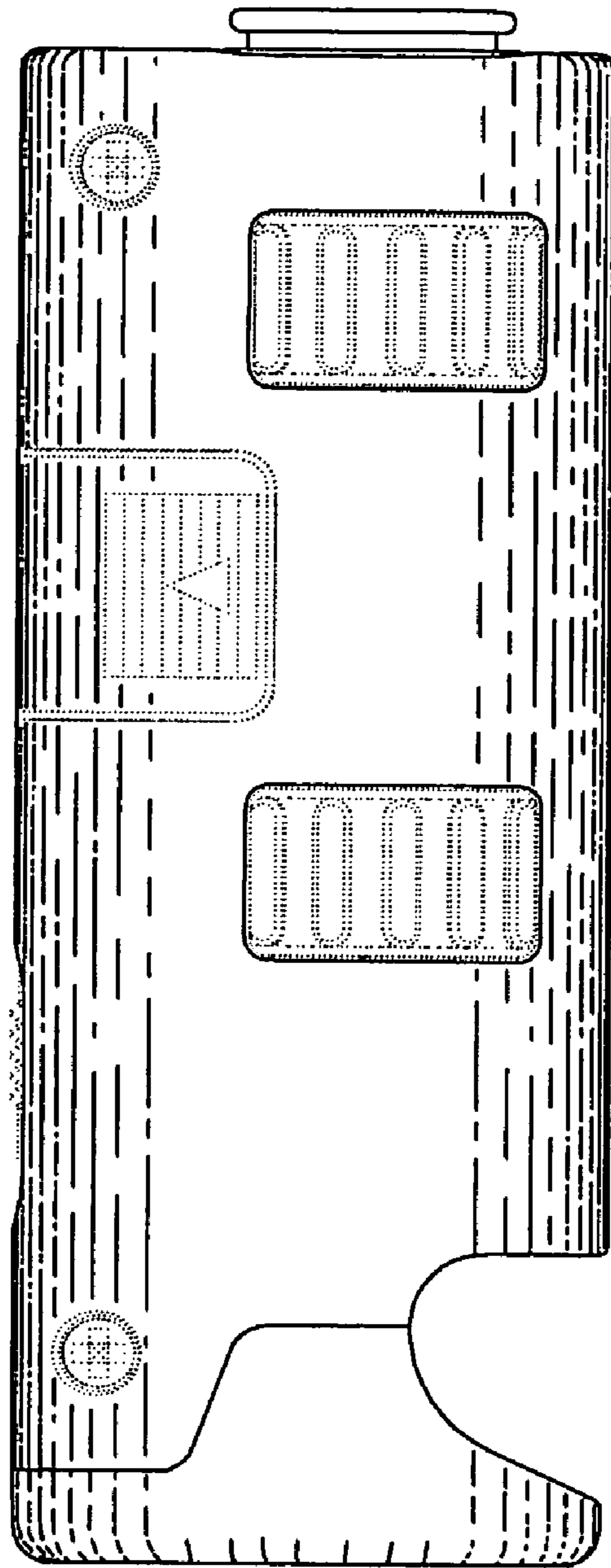


FIG. 7

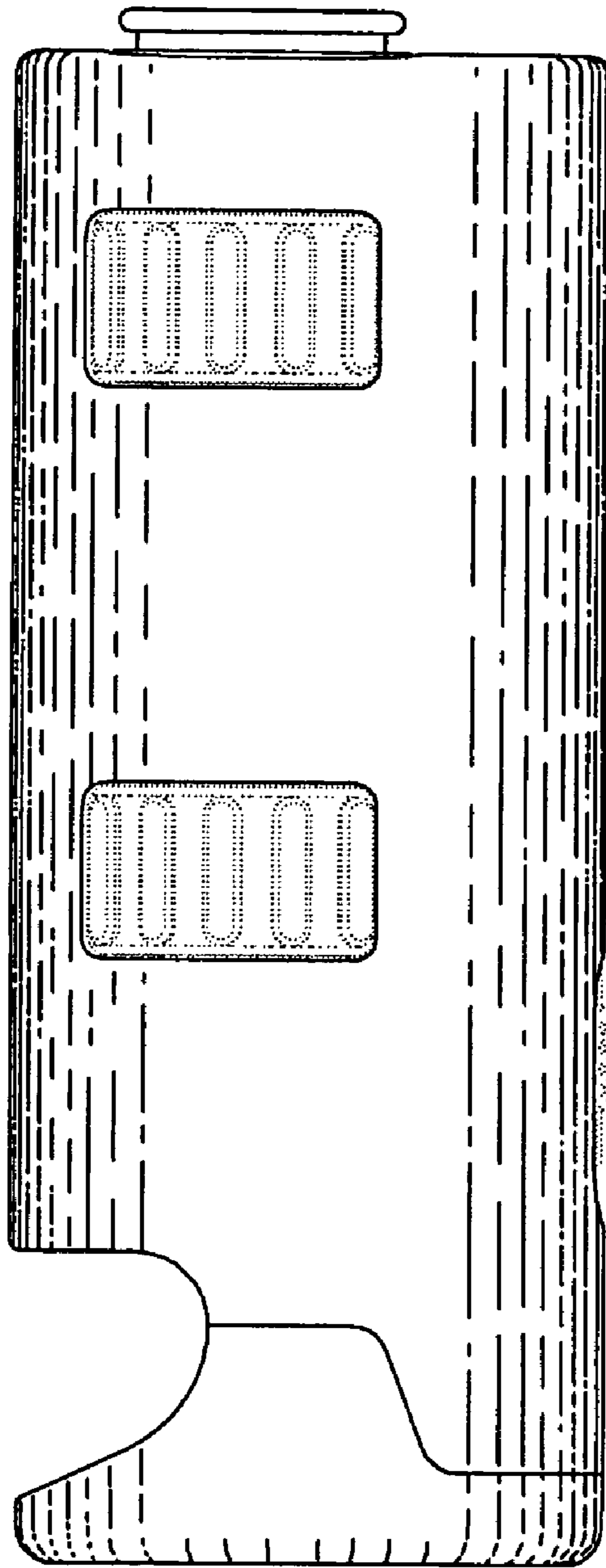


FIG. 8