



US00D564552S

(12) **United States Design Patent**
Chang et al.

(10) **Patent No.:** **US D564,552 S**
(45) **Date of Patent:** **** Mar. 18, 2008**

(54) **DIRECT DRIVE MOTOR**

D467,940 S * 12/2002 Kinsey et al. D15/5

(75) Inventors: **Chia-Ming Chang**, Taichung (TW);
Cheng-Han Tsai, Taichung (TW)

* cited by examiner

(73) Assignee: **Hiwin Mikrosystem Corp.**, Taichung
(TW)

Primary Examiner—Antoine D Davis
Assistant Examiner—Patricia Palasik
(74) *Attorney, Agent, or Firm*—Banger Shia

(**) Term: **14 Years**

(57) **CLAIM**

(21) Appl. No.: **29/249,637**

The ornamental design for a direct drive motor, as shown and described.

(22) Filed: **Oct. 14, 2006**

(51) **LOC (8) Cl.** **15-09**

(52) **U.S. Cl.** **D15/148**

(58) **Field of Classification Search** D15/1-5,
D15/148, 199; 310/51, 67 R, 90; 384/619,
384/620

See application file for complete search history.

DESCRIPTION

FIG. 1 is a perspective view of a direct drive motor showing my new design;

FIG. 2 is a front elevational view thereof;

FIG. 3 is a rear elevational view thereof,

FIG. 4 is a left side elevational view thereof,

FIG. 5 is a right side elevational view thereof,

FIG. 6 is a top plan view thereof; and,

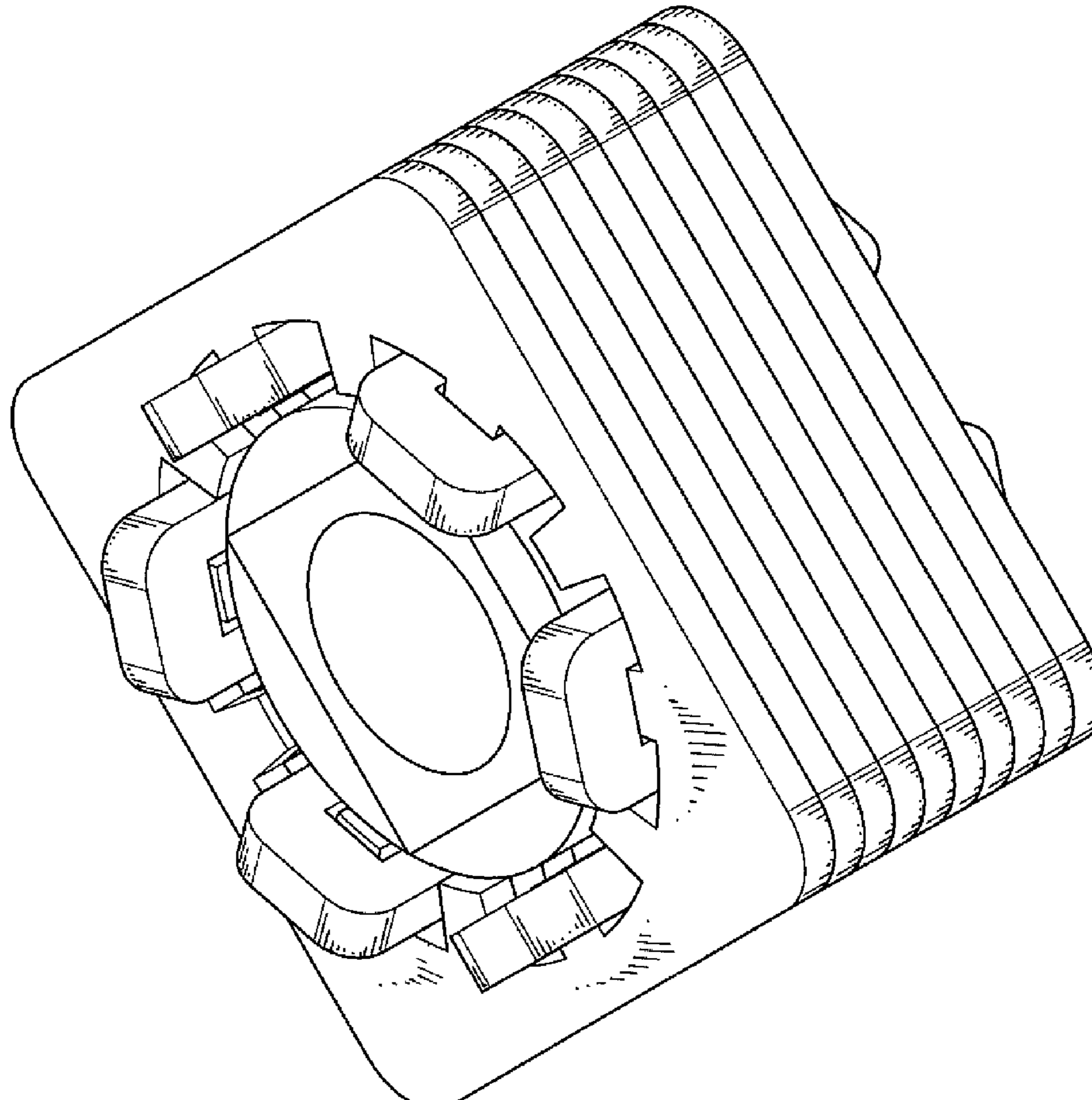
FIG. 7 is a bottom plan view to that shown.

(56) **References Cited**

U.S. PATENT DOCUMENTS

- 4,629,919 A * 12/1986 Merkle 310/90
- 4,853,567 A * 8/1989 Muramatsu et al. 384/619
- 5,012,144 A * 4/1991 Huitema et al. 335/230

1 Claim, 7 Drawing Sheets



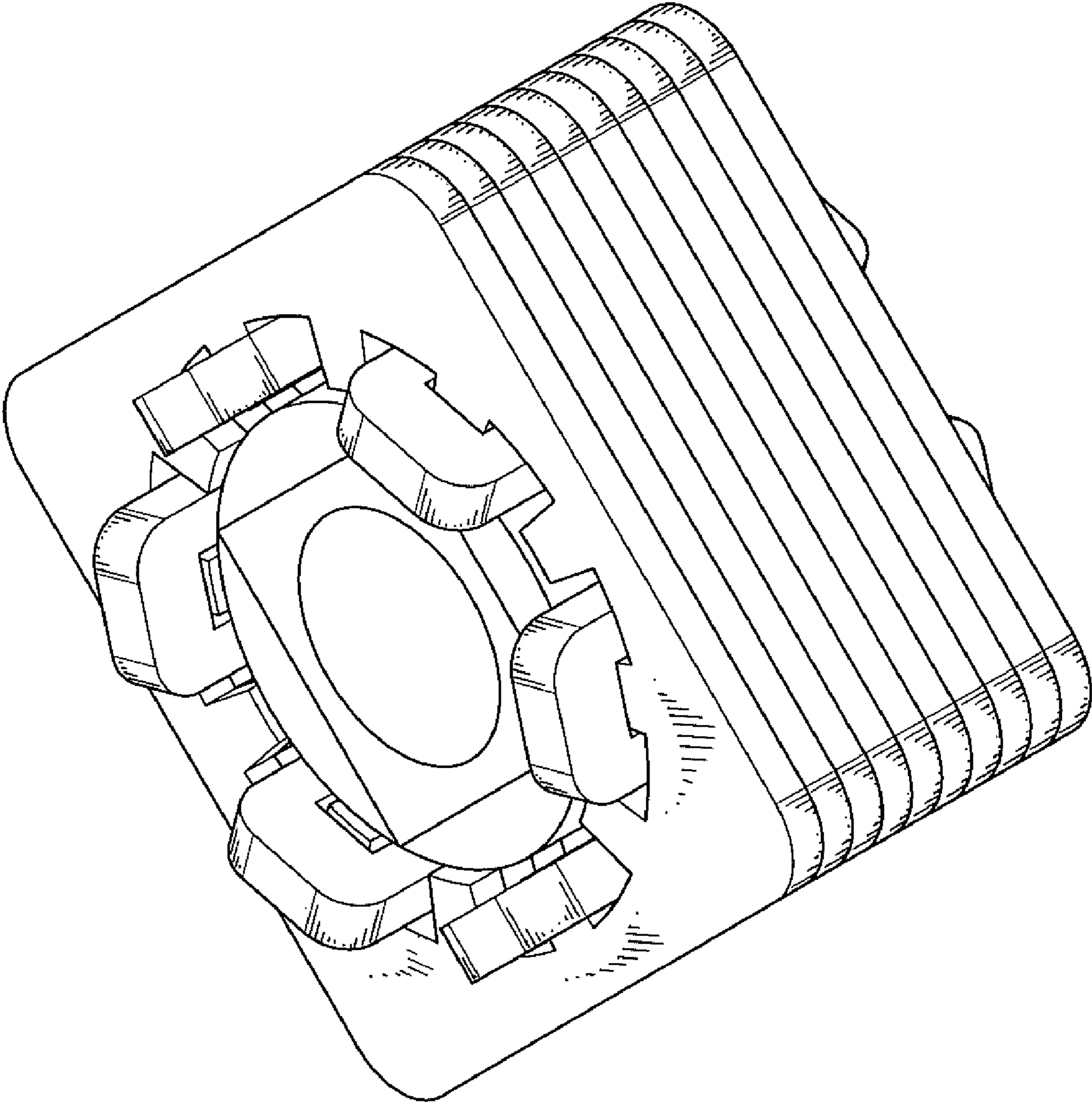


FIG. 1

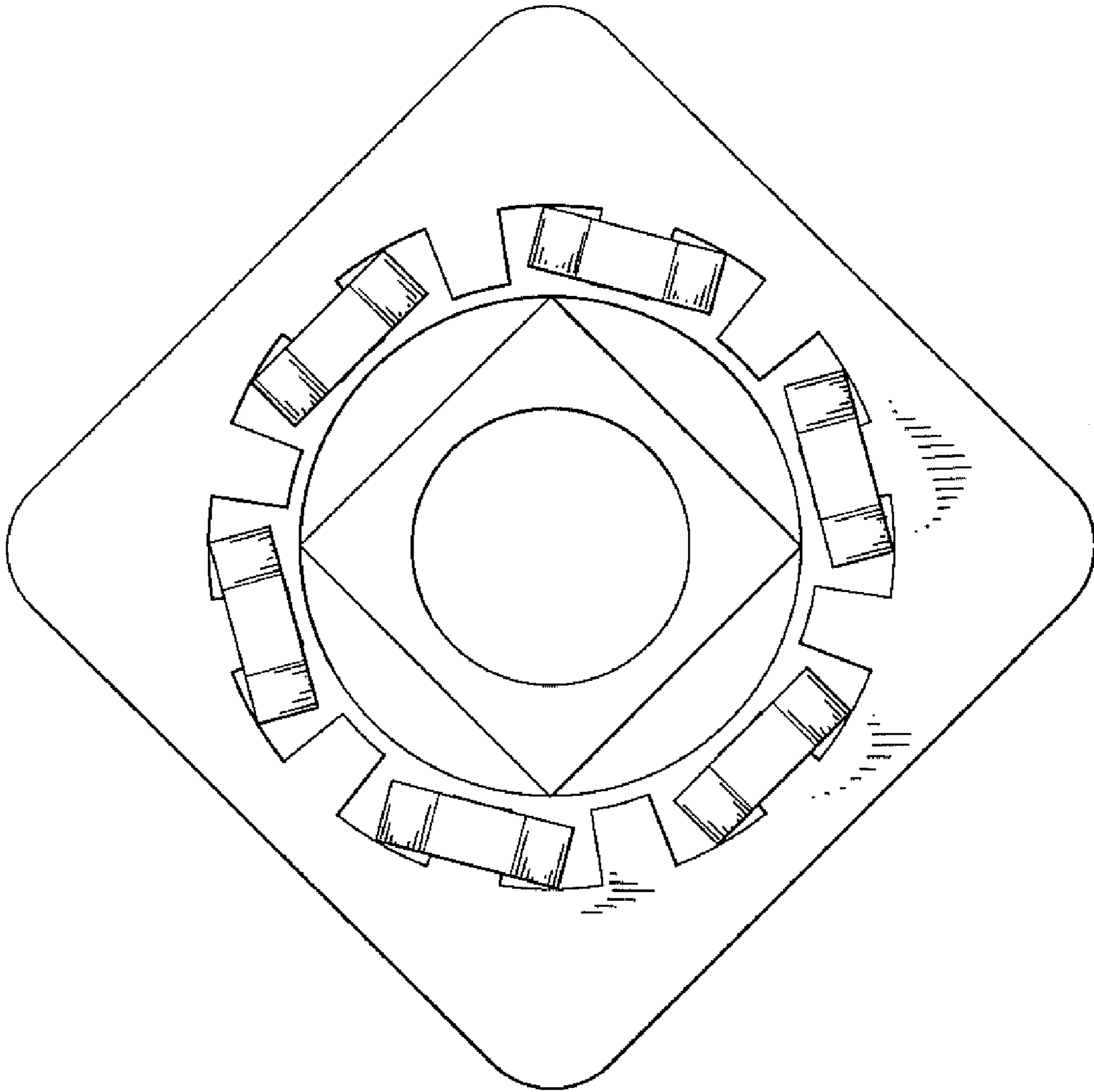


FIG. 2

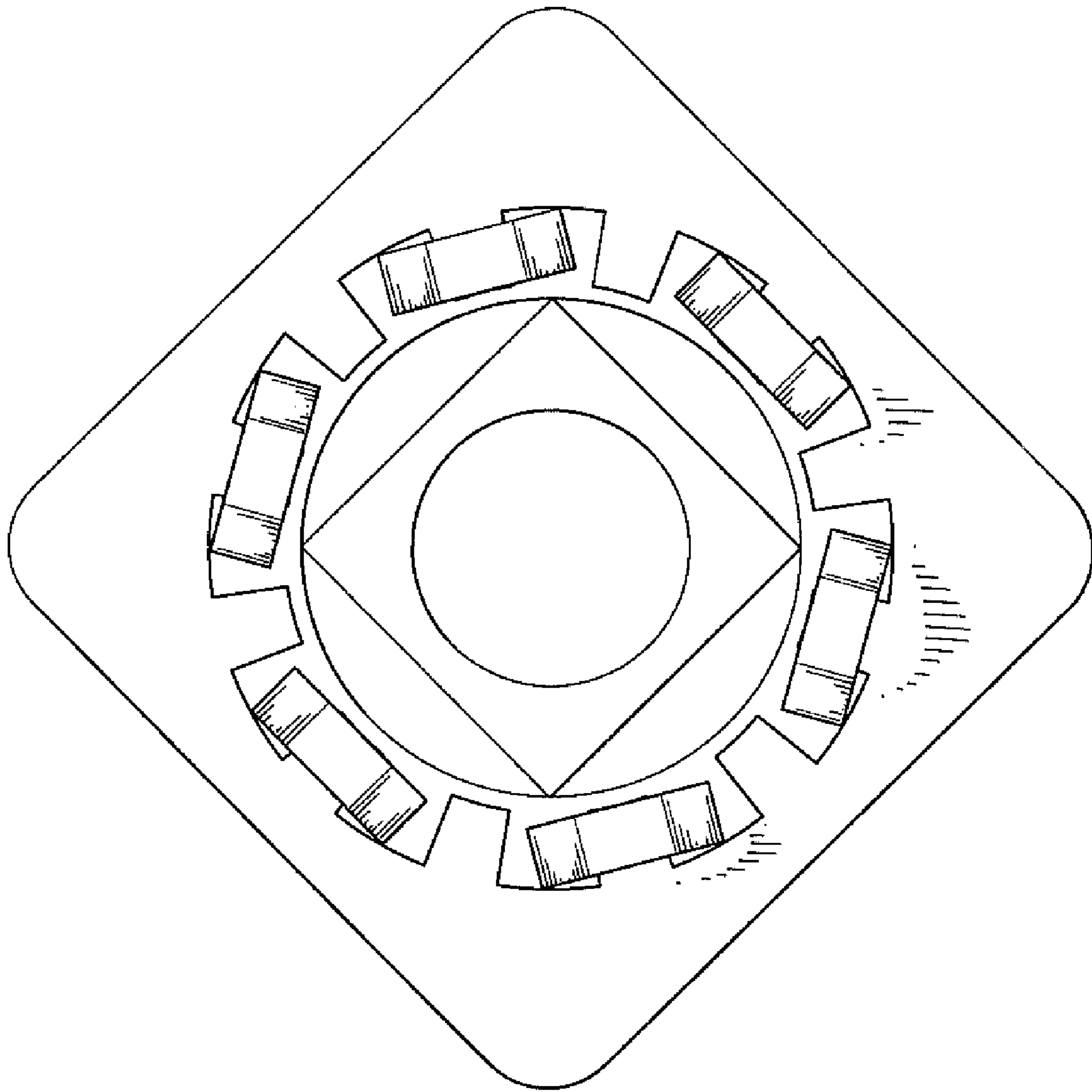


FIG. 3

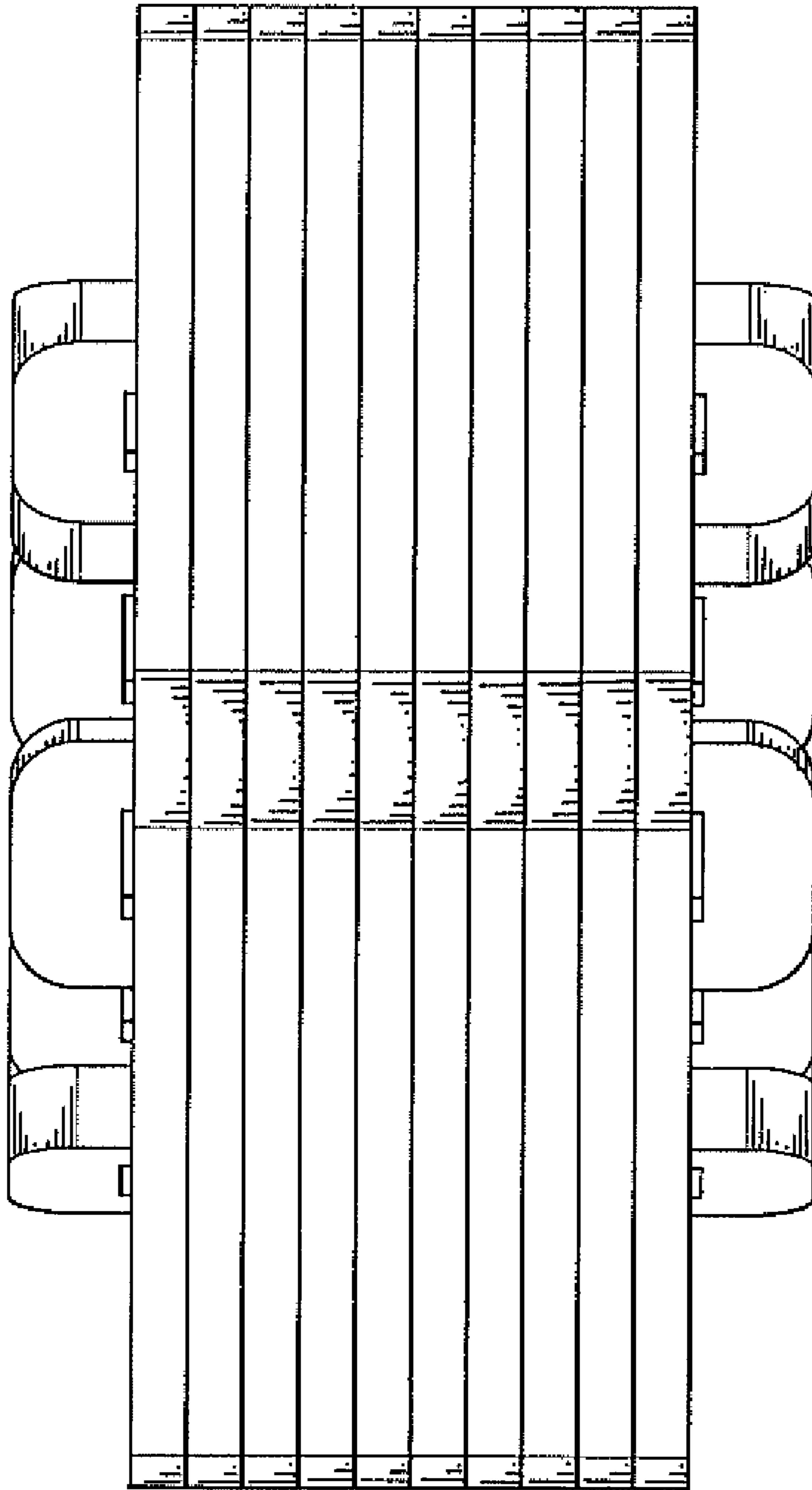


FIG. 4

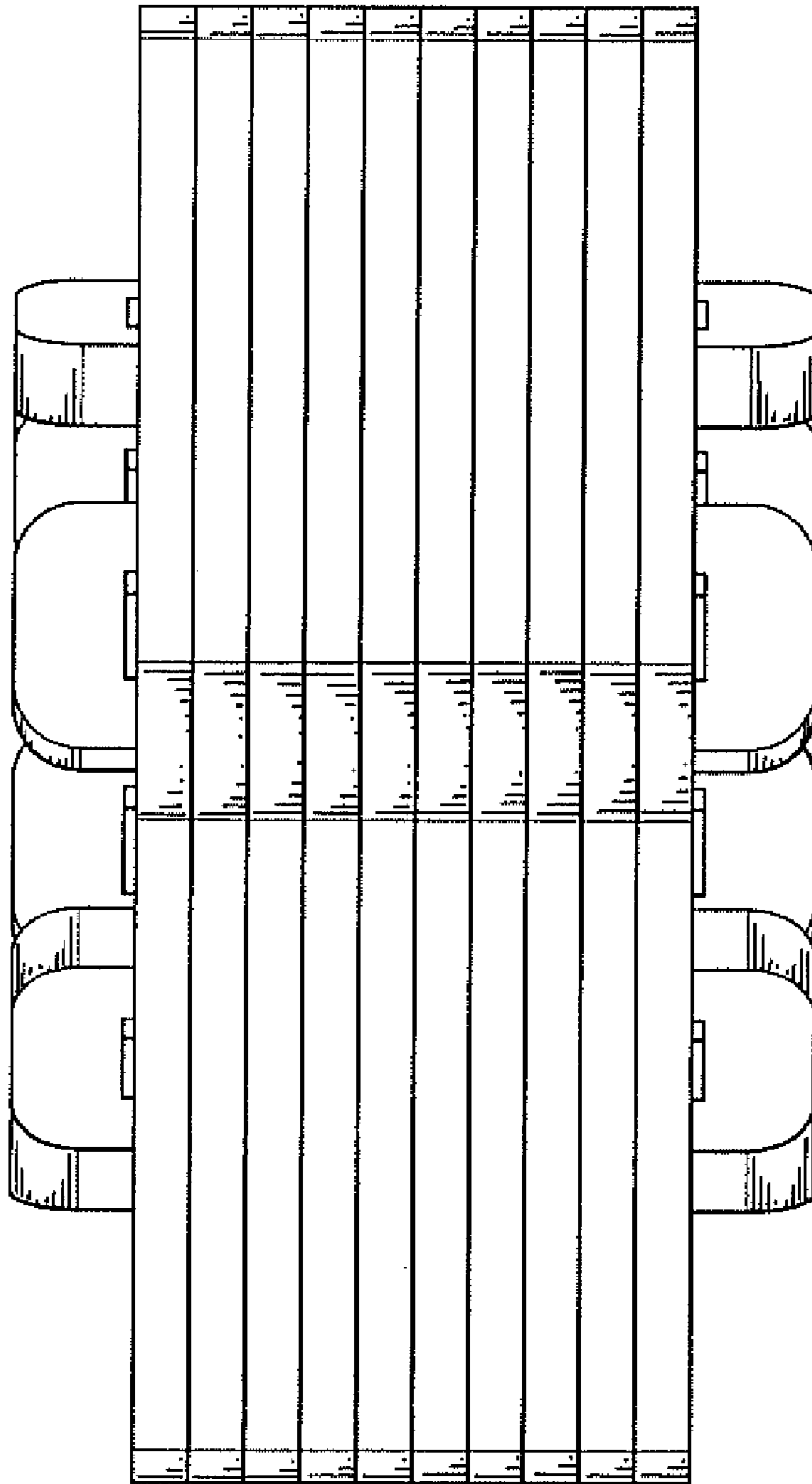


FIG. 5

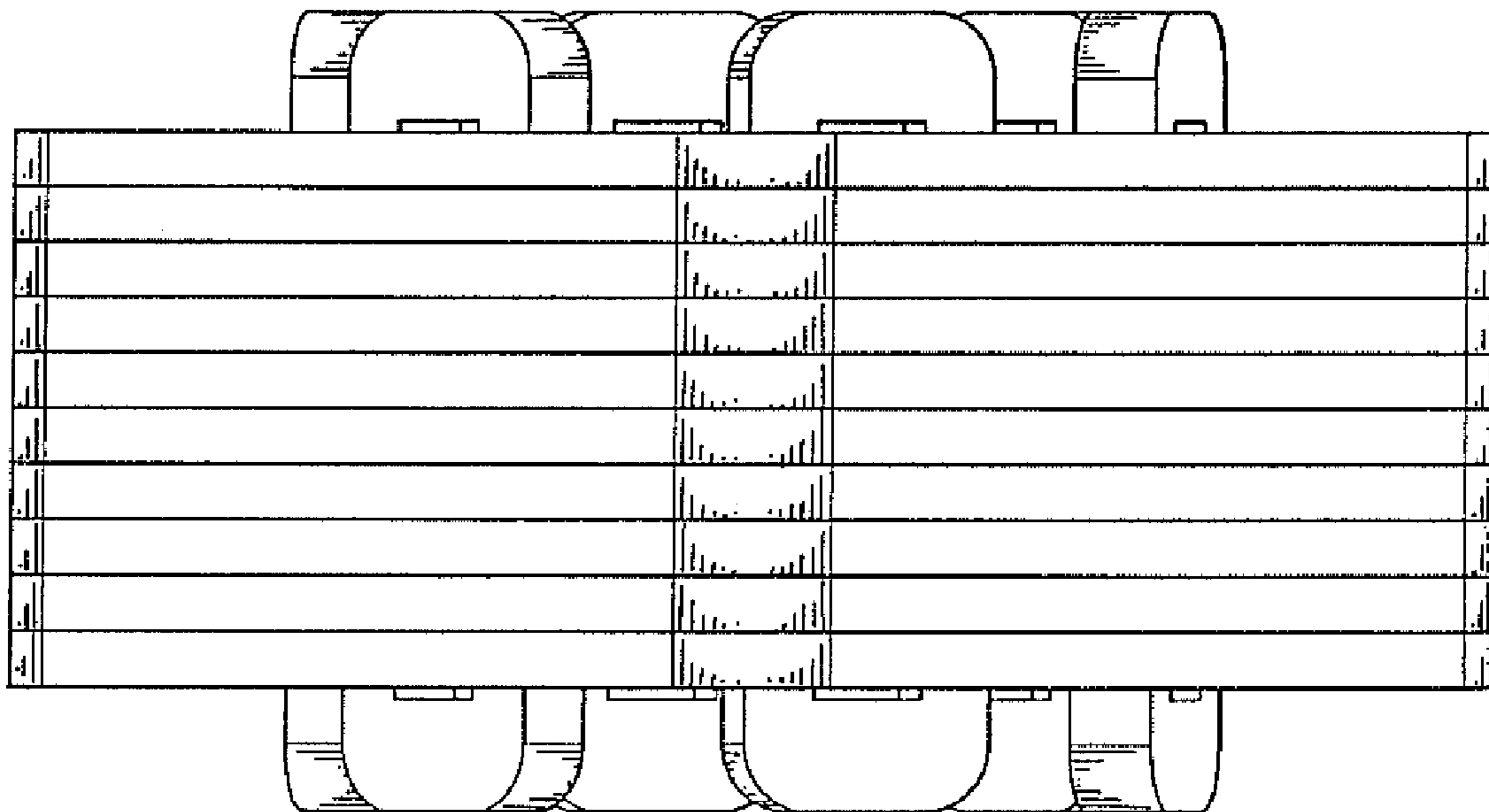


FIG. 6

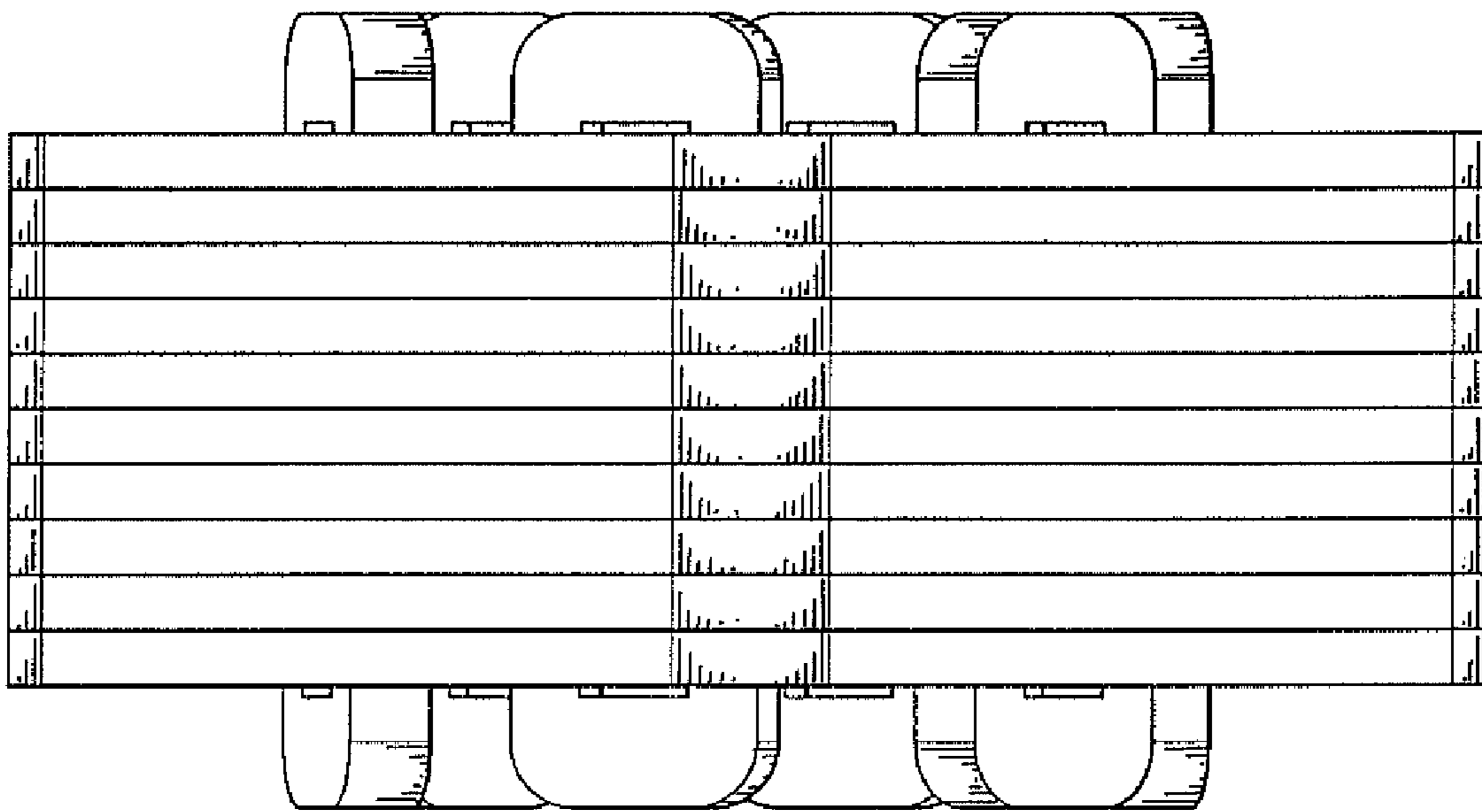


FIG. 7