



US00D564548S

(12) **United States Design Patent**
Keightley

(10) **Patent No.:** **US D564,548 S**

(45) **Date of Patent:** **** Mar. 18, 2008**

(54) **SMALL HOLESAW BOSS**

(76) **Inventor:** **Kym John Keightley**, 5 Vincenzo Street, Fairview Park 5123 (AU)

(**) **Term:** **14 Years**

(21) **Appl. No.:** **29/243,918**

(22) **Filed:** **Dec. 2, 2005**

(30) **Foreign Application Priority Data**

Jun. 3, 2005 (AU) 304056

(51) **LOC (8) Cl.** **15-09**

(52) **U.S. Cl.** **D15/139**

(58) **Field of Classification Search** D15/138,
D15/139; D8/70; 51/309; 144/150, 219; 175/57,
175/257-259, 266, 292, 296, 300, 303, 330,
175/405.1, 413-415; 279/77-80, 89; 407/35,
407/43; 408/204, 206, 207, 209, 238, 239 R,
408/703; 409/206

See application file for complete search history.

(56) **References Cited**

U.S. PATENT DOCUMENTS

3,267,975 A * 8/1966 Enders 408/200

| | | | | |
|-------------------|---------|--------------|-------|---------|
| 3,837,759 A * | 9/1974 | Bittern | | 408/204 |
| 5,651,646 A * | 7/1997 | Banke et al. | | 408/204 |
| 7,097,397 B2 * | 8/2006 | Keightley | | 408/204 |
| 7,101,124 B2 * | 9/2006 | Keightley | | 408/204 |
| 2001/0006593 A1 * | 7/2001 | Lechot | | 407/35 |
| 2004/0179911 A1 * | 9/2004 | Keightley | | 408/204 |
| 2004/0247405 A1 * | 12/2004 | Keightley | | 408/204 |
| 2005/0042048 A1 * | 2/2005 | Keightley | | 408/204 |

* cited by examiner

Primary Examiner—Antoine D. Davis

Assistant Examiner—Patricia Palasik

(74) *Attorney, Agent, or Firm*—O. (Sam) Zaghmout; Bio IPS LLC

(57) **CLAIM**

I claim the ornamental design for a small holesaw boss, as shown and described.

DESCRIPTION

FIG. 1 is a rear view.

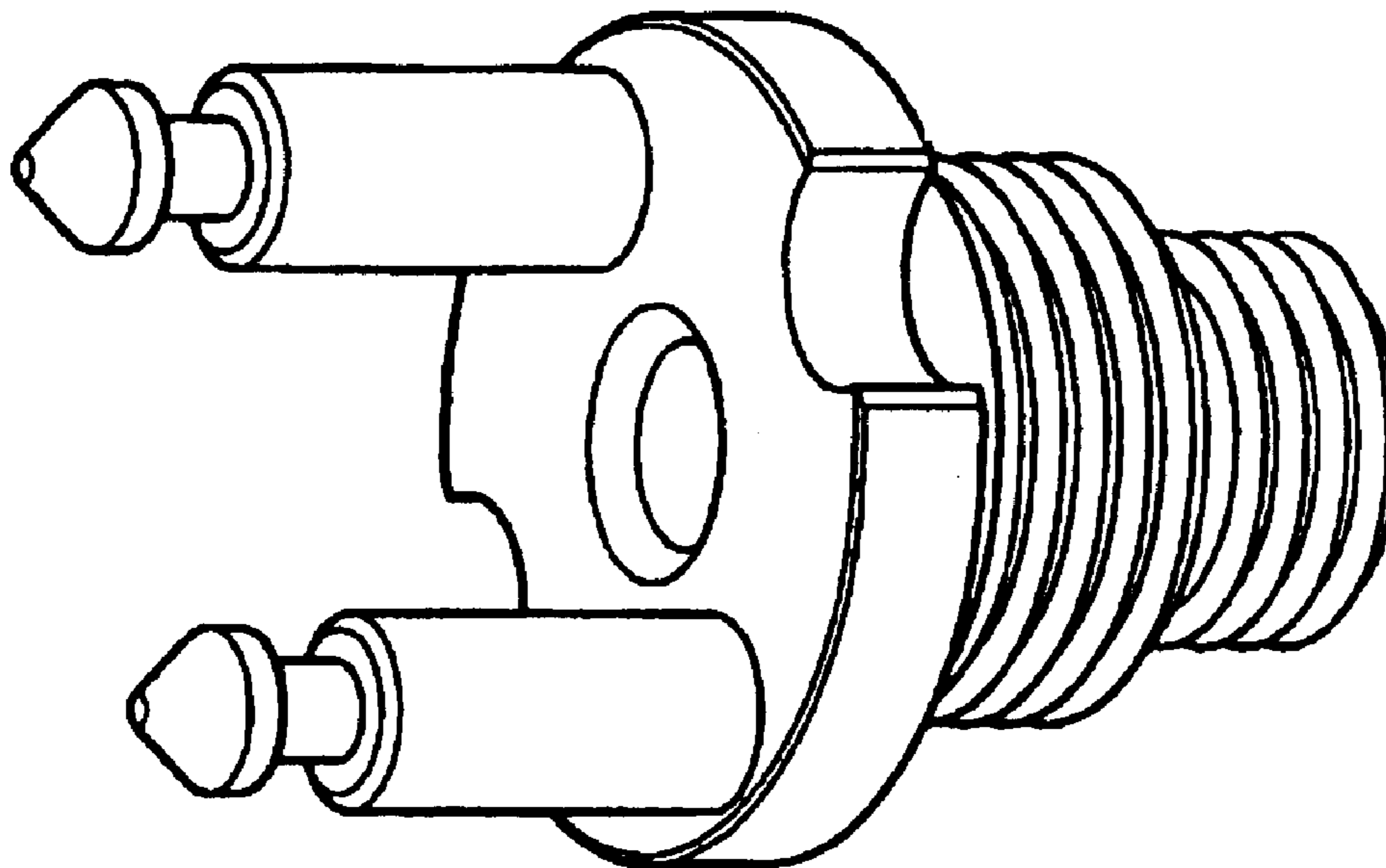
FIG. 2 is a top view.

FIG. 3 is a side view.

FIG. 4 is a front view; and,

FIG. 5 is a perspective view.

1 Claim, 1 Drawing Sheet



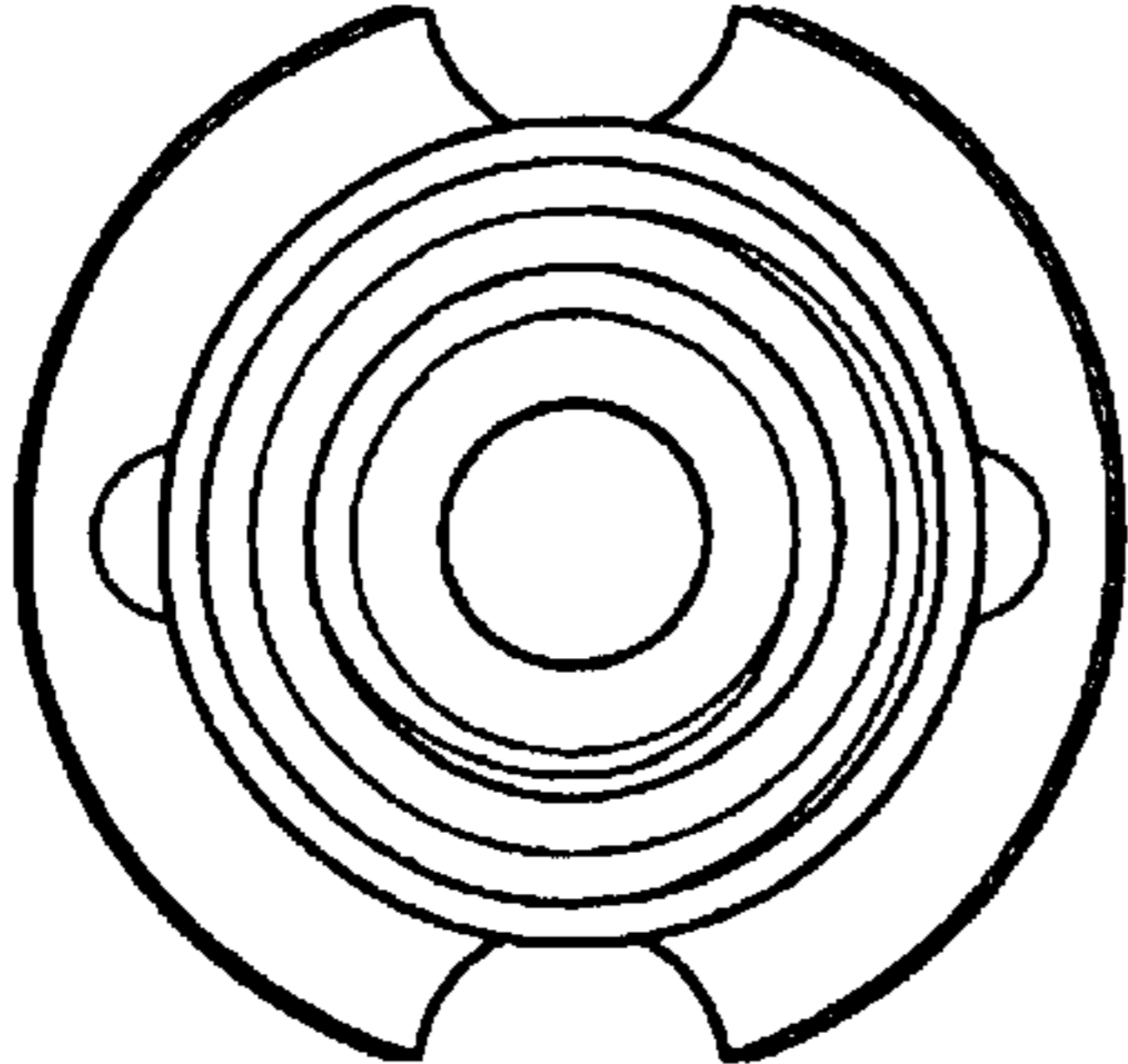


Fig 1

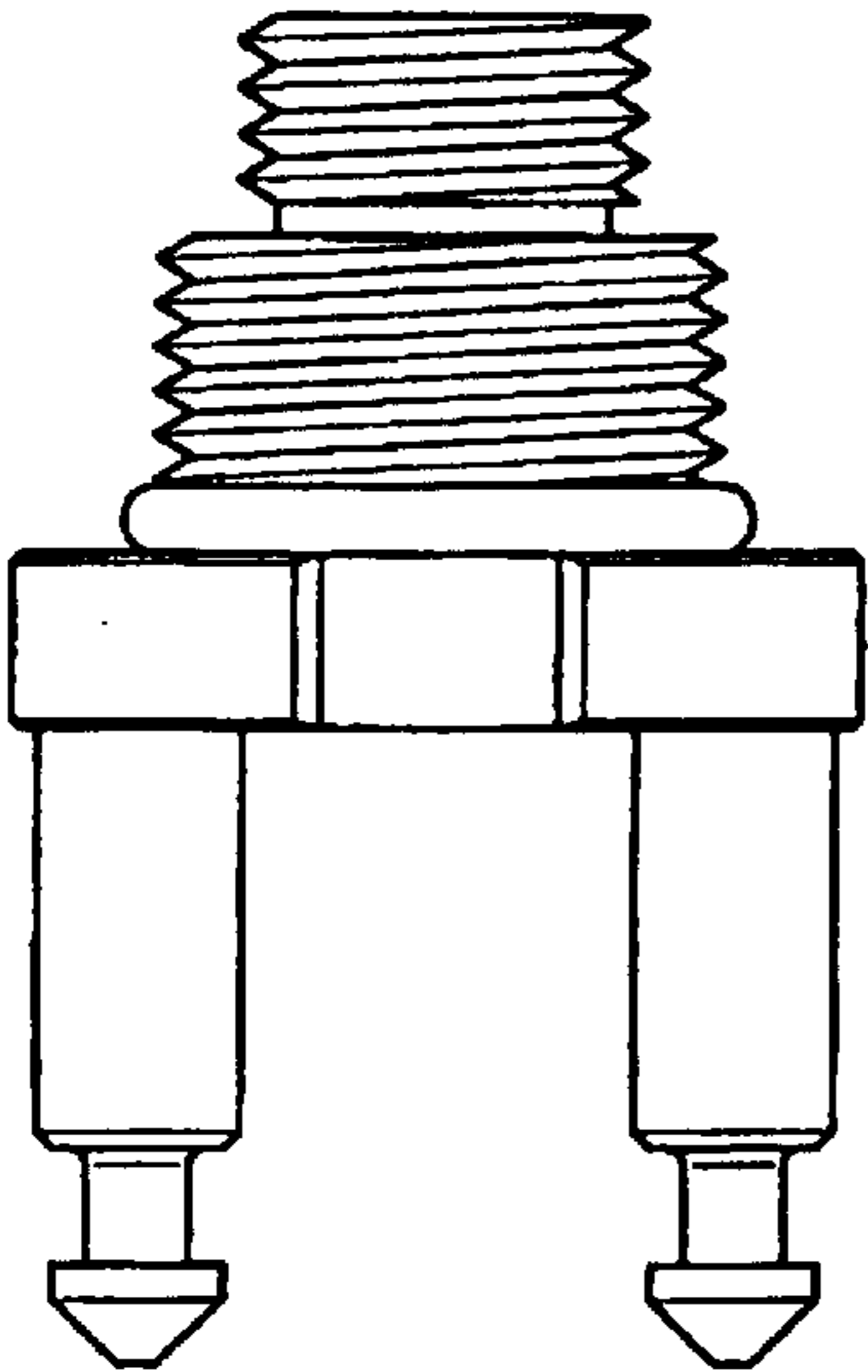


Fig 2

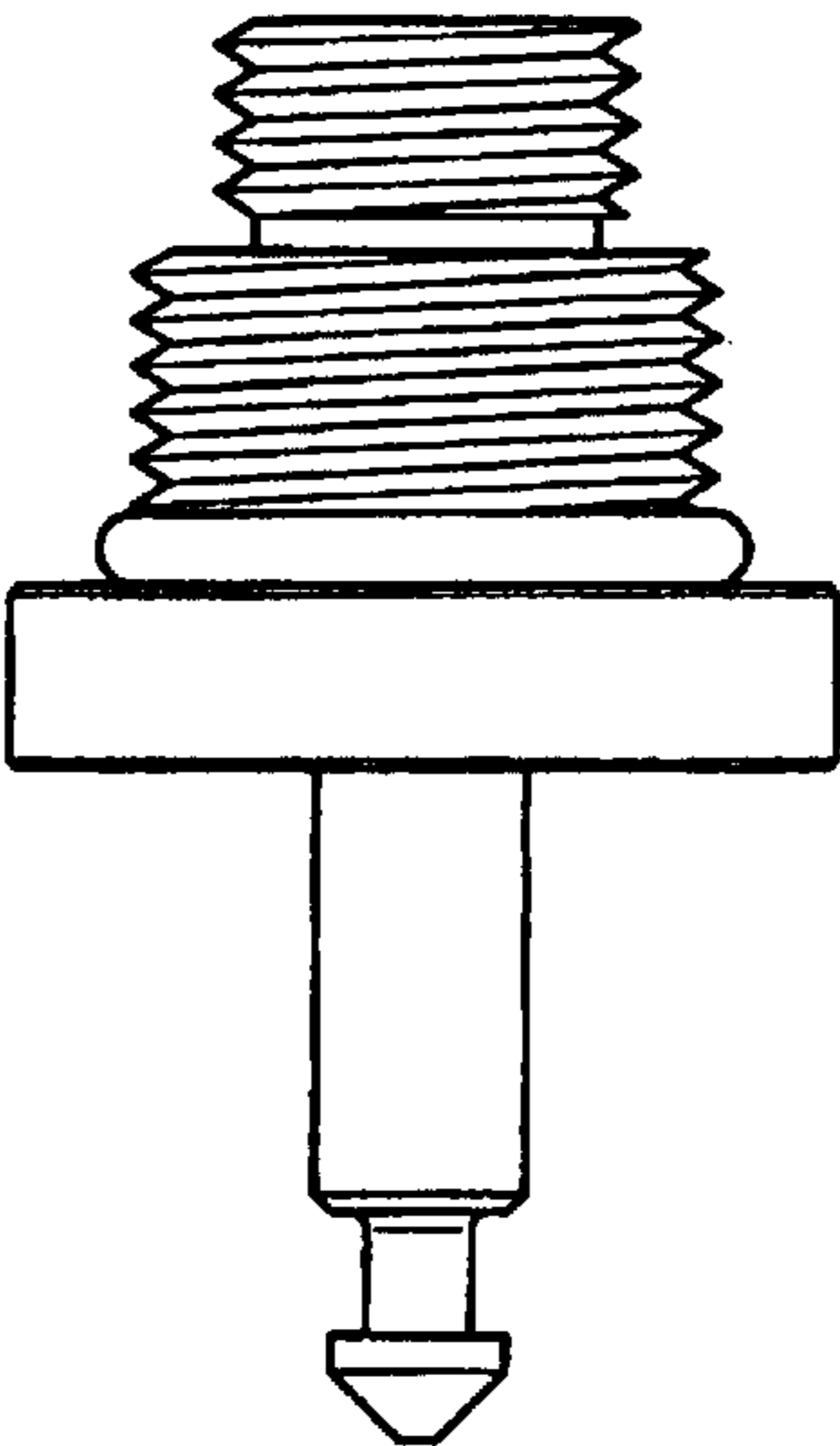


Fig 3

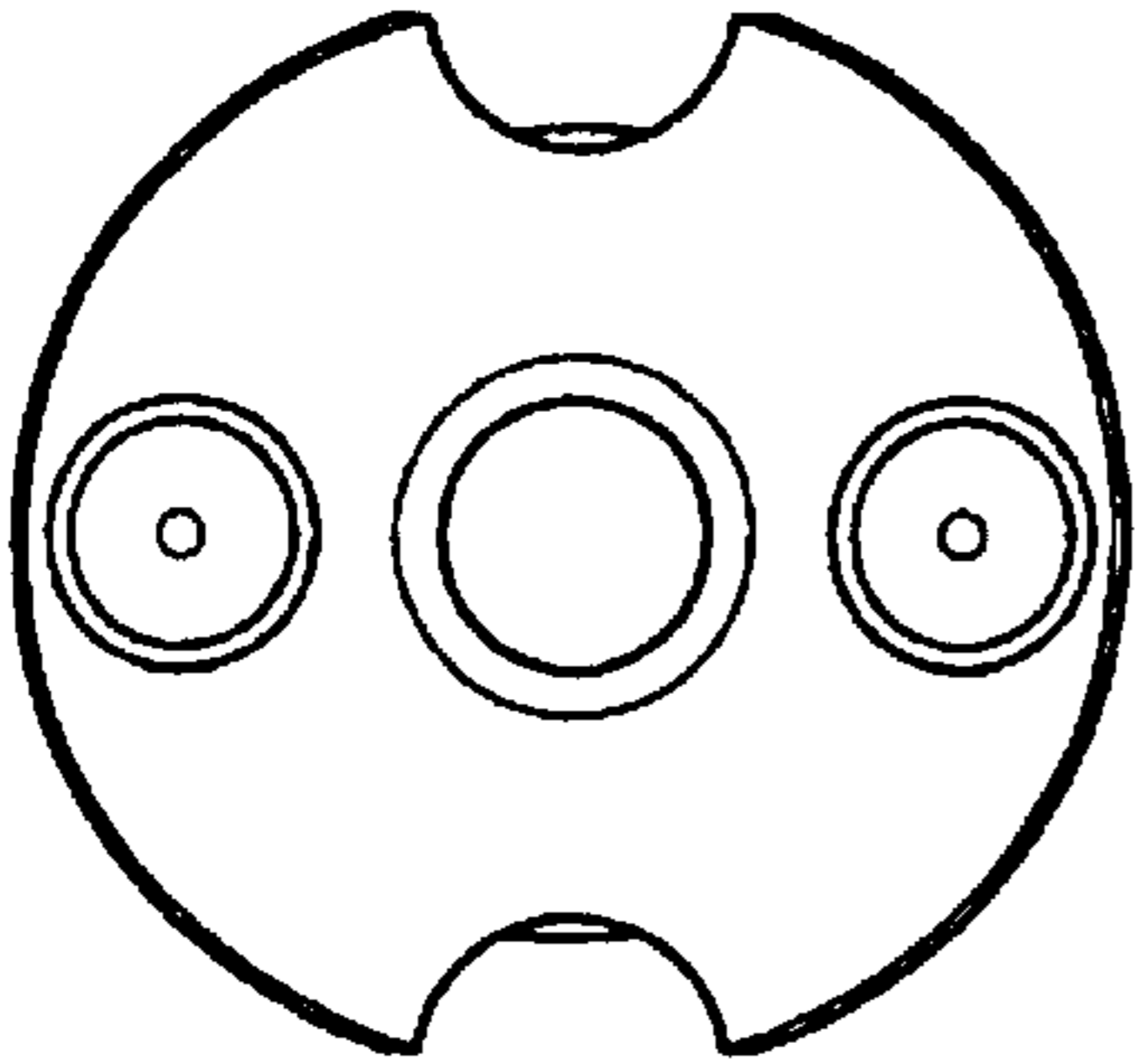


Fig 4

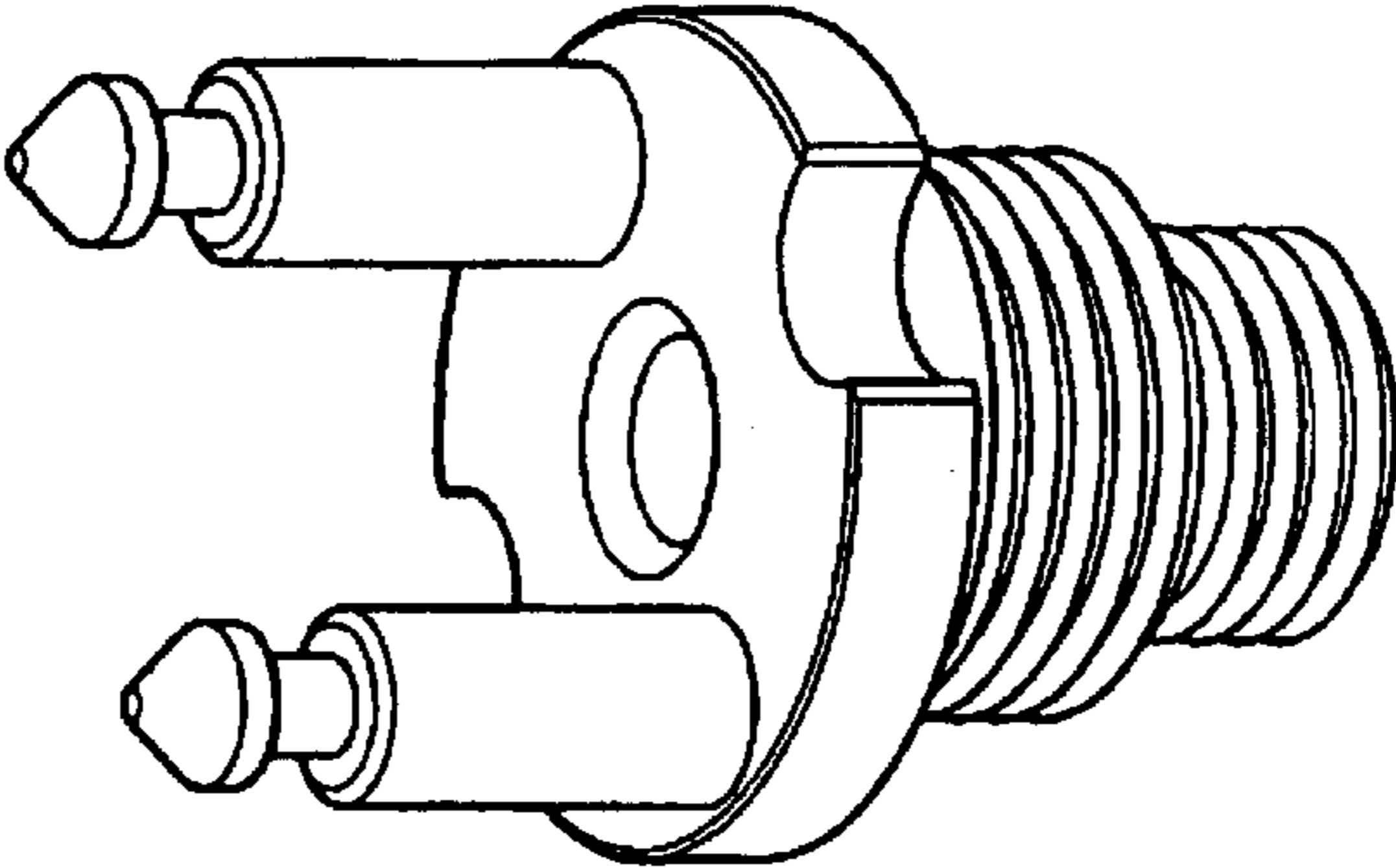


Fig 5