

US00D564547S

(12) **United States Design Patent**
Keightley

(10) **Patent No.:** **US D564,547 S**

(45) **Date of Patent:** **** Mar. 18, 2008**

(54) **HOLESAW ARBOUR**

(76) Inventor: **Kym John Keightley**, 5 Vincenzo Street, Fairview Park, South Australia 5126 (AU)

(**) Term: **14 Years**

(21) Appl. No.: **29/243,915**

(22) Filed: **Dec. 2, 2005**

(30) **Foreign Application Priority Data**

Jun. 3, 2005 (AU) 304054

(51) **LOC (8) Cl.** **15-09**

(52) **U.S. Cl.** **D15/139**

(58) **Field of Classification Search** D15/138, D15/139; D8/70; 51/309; 144/150, 219; 175/57, 175/257-259, 266, 292, 296, 300, 303, 330, 175/405.1, 413-415; 279/77-80, 89; 407/35, 407/43; 408/204, 206, 207, 209, 238, 239 R, 408/703; 409/206

See application file for complete search history.

(56) **References Cited**

U.S. PATENT DOCUMENTS

- 3,267,975 A * 8/1966 Enders 408/206
- 3,880,546 A * 4/1975 Segal 408/204
- 4,303,357 A * 12/1981 Makar 408/204
- 4,588,335 A * 5/1986 Pearson, Jr. 408/239 R

- 5,651,646 A * 7/1997 Banke et al. 408/204
- 5,967,709 A * 10/1999 Thuesen 408/204
- 7,097,397 B2 * 8/2006 Keightley 408/204
- 7,101,124 B2 * 9/2006 Keightley 408/204
- 7,104,738 B2 * 9/2006 Cantlon 408/204
- 2001/0006593 A1 * 7/2001 Lechot 407/35
- 2002/0131835 A1 * 9/2002 Despres 408/204
- 2004/0179911 A1 * 9/2004 Keightley 408/204
- 2004/0191015 A1 * 9/2004 Kozak 408/204
- 2004/0247405 A1 * 12/2004 Keightley 408/204
- 2005/0025591 A1 * 2/2005 Korb et al. 408/204
- 2006/0140733 A1 * 6/2006 Davis 408/204

* cited by examiner

Primary Examiner—Antoine D. Davis

Assistant Examiner—Patricia Palasik

(74) *Attorney, Agent, or Firm*—O. (Sam) Zaghmout; Bio IPS LLC

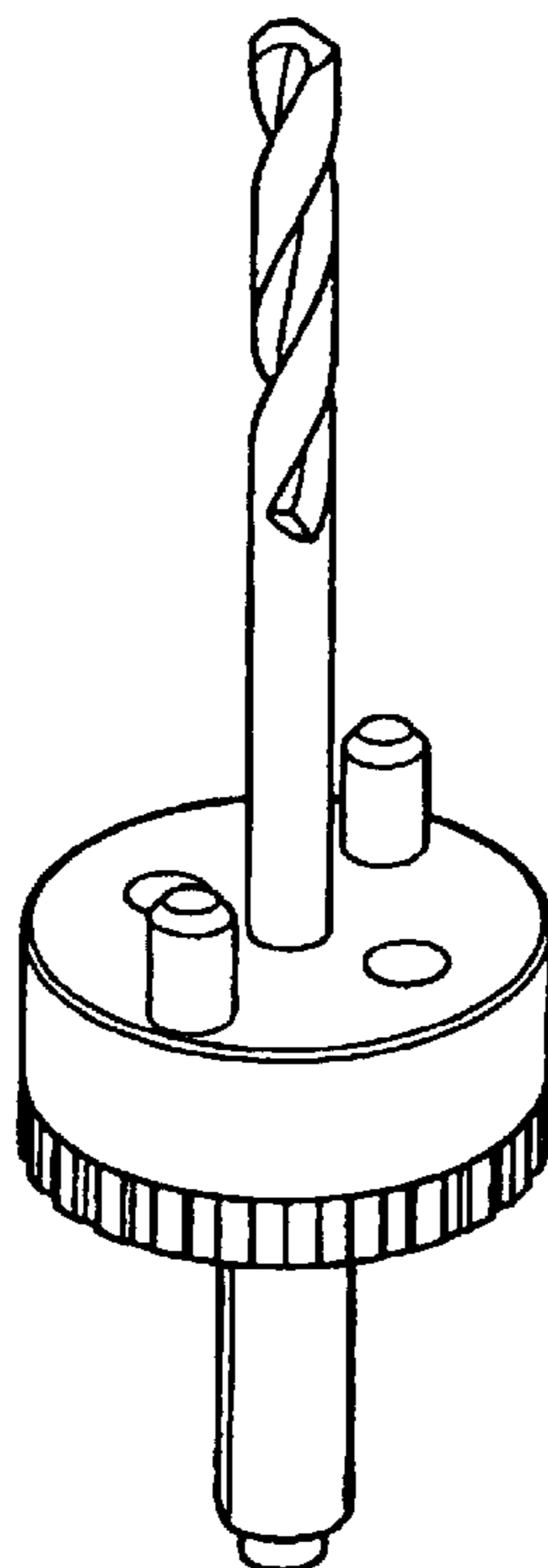
(57) **CLAIM**

The ornamental design for a holesaw arbour, as shown and described.

DESCRIPTION

- FIG. 1 is a rear view.
- FIG. 2 is a front view.
- FIG. 3 is a perspective view.
- FIG. 4 is a side view; and,
- FIG. 5 is a perspective view.

1 Claim, 1 Drawing Sheet



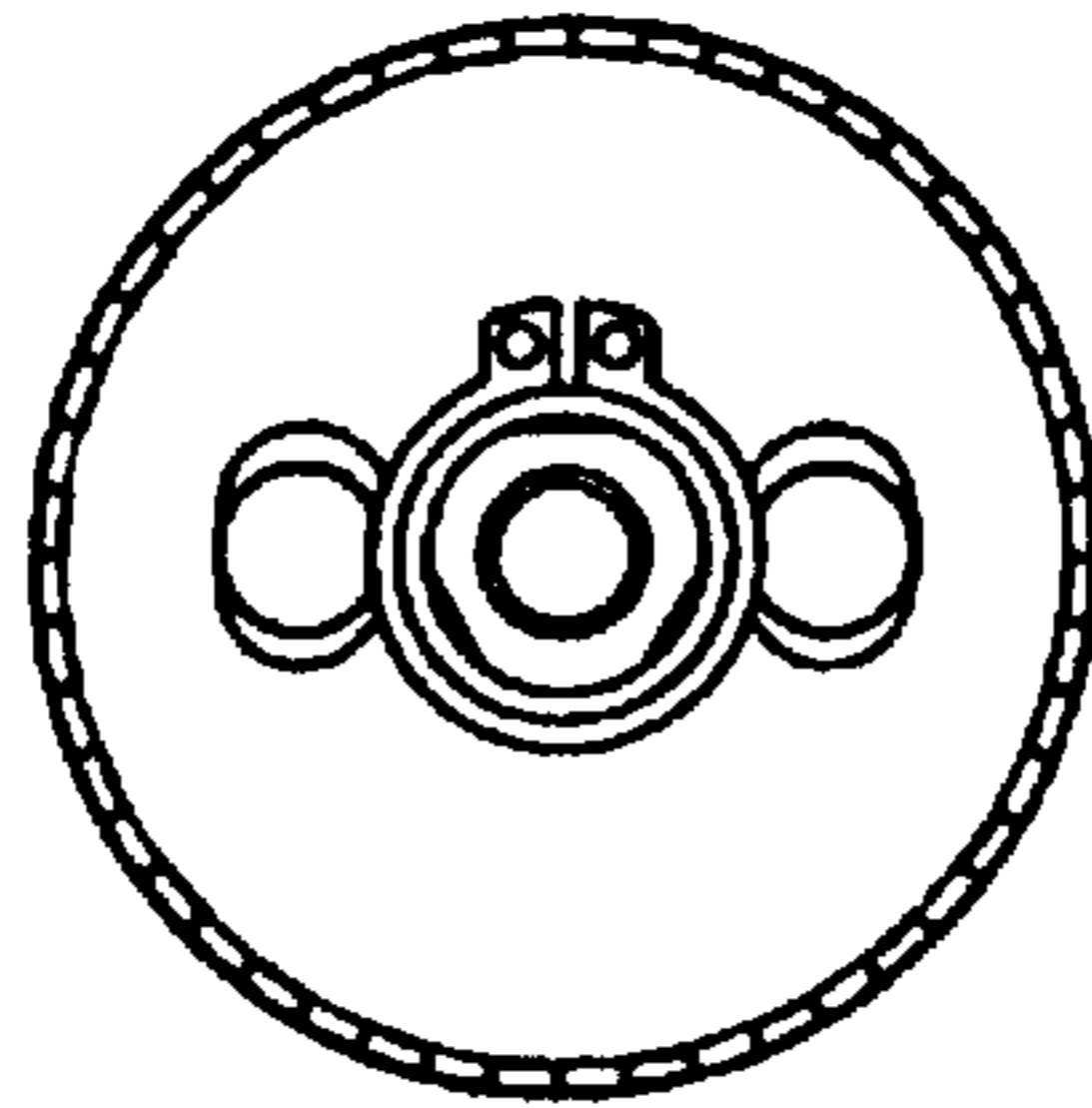


Fig 1

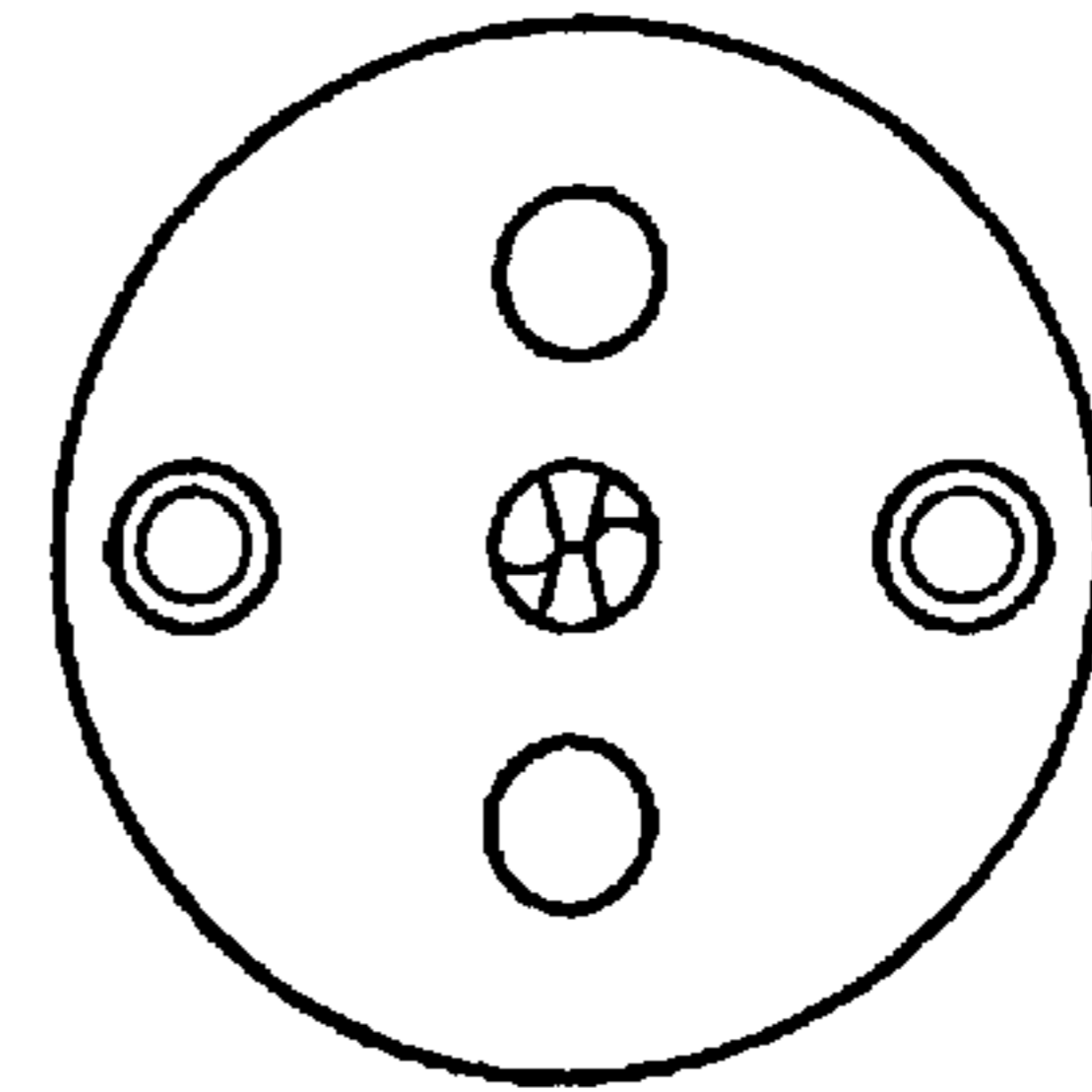


Fig 2

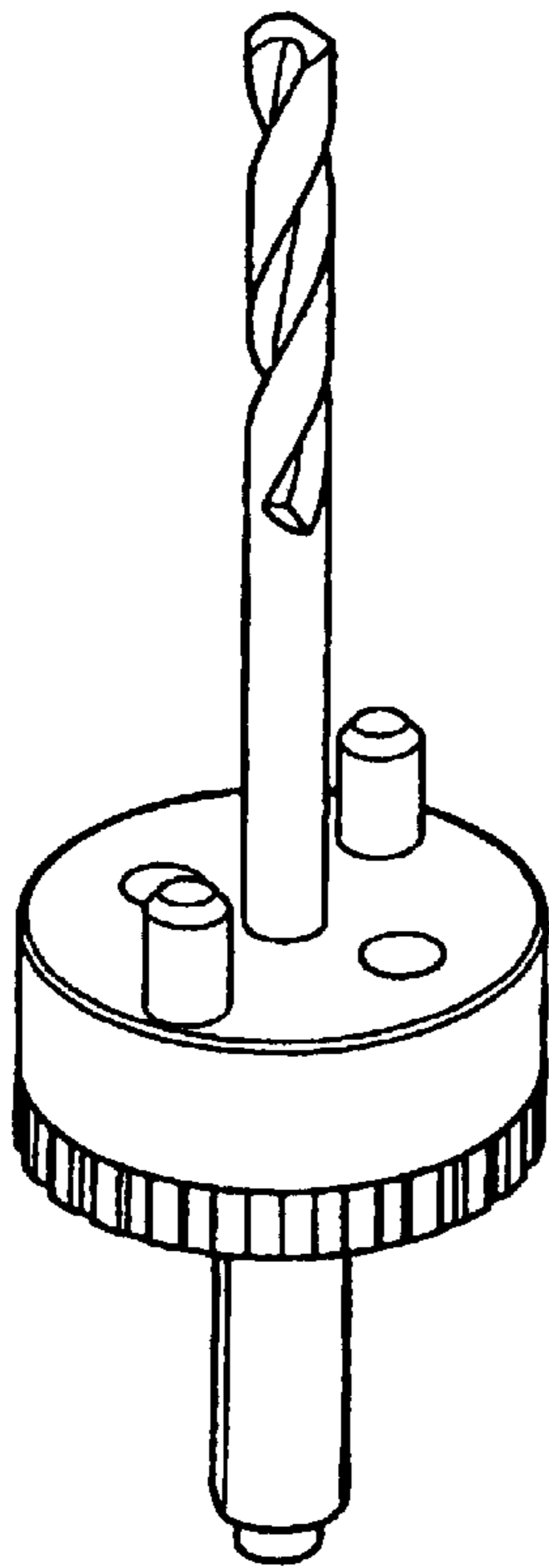


Fig 3

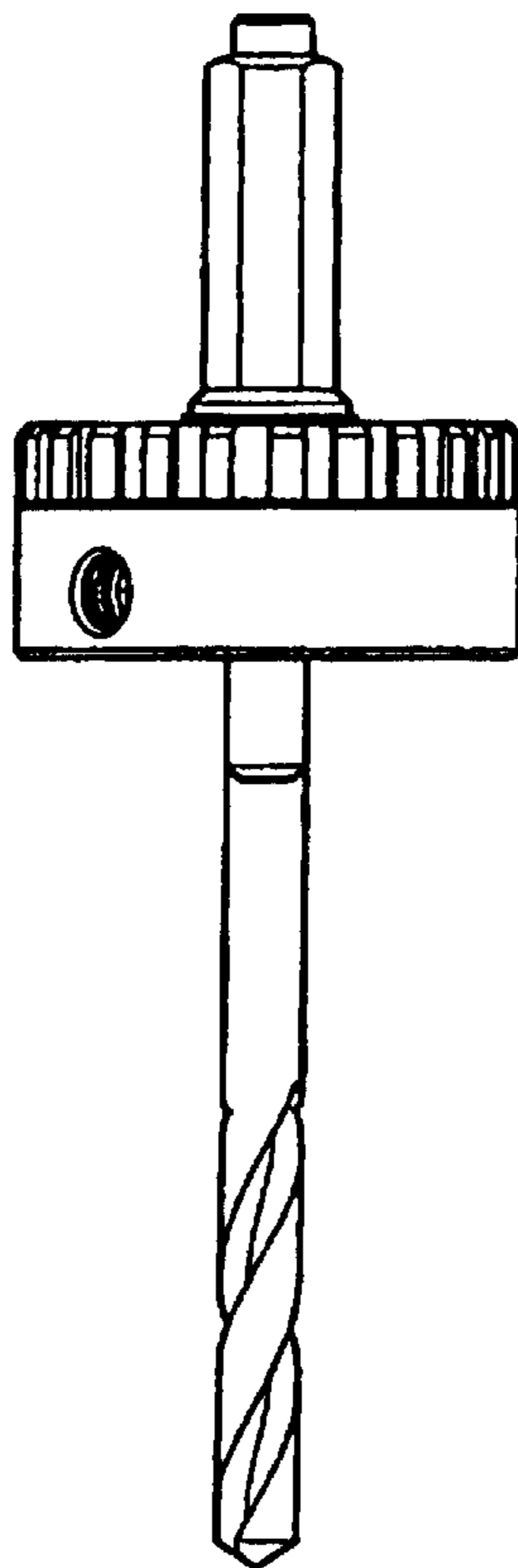


Fig 4

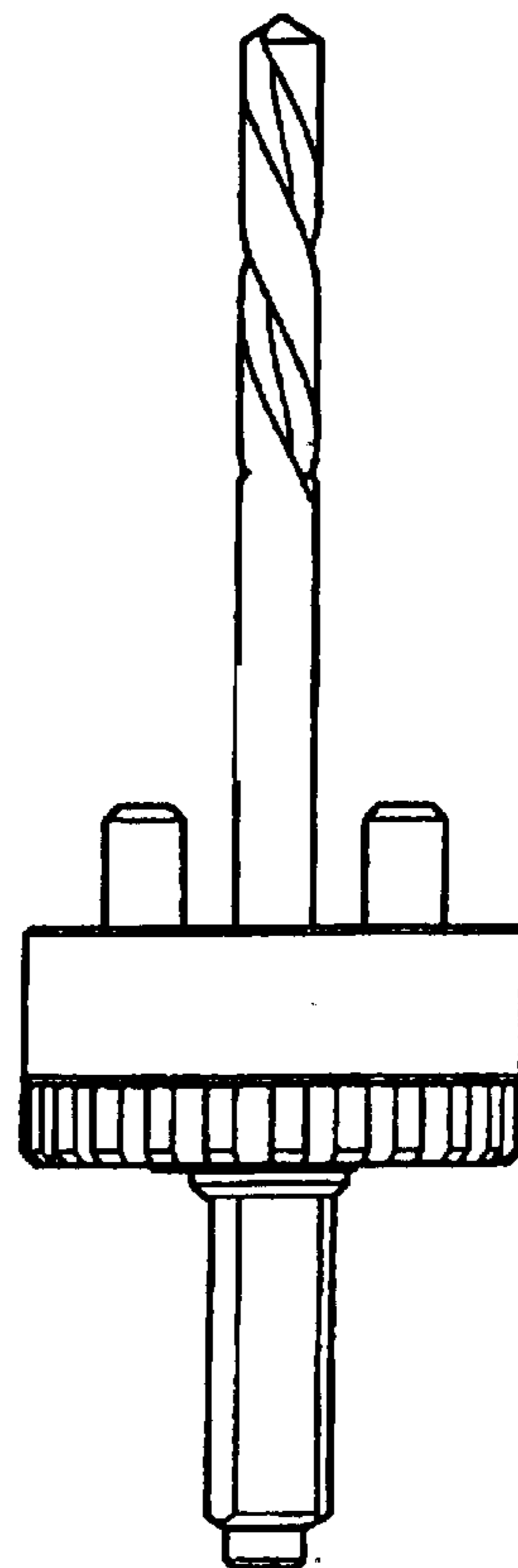


Fig 5