

US00D564546S

(12) **United States Design Patent** (10) **Patent No.:** **US D564,546 S**
Leasure et al. (45) **Date of Patent:** **** Mar. 18, 2008**

(54) **BAND SAW**

(75) Inventors: **Jeremy D. Leasure**, Jackson, TN (US);
Robert P. Welsh, Phoenix, MD (US);
Craig Steinfels, Jackson, TN (US);
Anthony Smith, Jackson, TN (US)

(73) Assignee: **Black & Decker Inc.**, Newark, DE (US)

(**) Term: **14 Years**

(21) Appl. No.: **29/288,696**

(22) Filed: **Jun. 20, 2007**

(51) **LOC (8) Cl.** **15-09**

(52) **U.S. Cl.** **D15/134**

(58) **Field of Classification Search** D8/64,
D8/66; D15/133, 134; 83/62.1, 72, 76.7,
83/571, 748, 750, 788, 809-820

See application file for complete search history.

(56) **References Cited**

U.S. PATENT DOCUMENTS

D150,958 S *	9/1948	Karp	D15/134
D164,649 S *	9/1951	Ocnasek	D15/134
2,850,055 A *	9/1958	Lasar	D15/134
4,372,185 A *	2/1983	Pila	D15/134
D277,822 S	3/1985	Doggett		
D286,537 S *	11/1986	Yamamoto	D15/134
D301,719 S	6/1989	Wodli		
D336,653 S	6/1993	Baird et al.		

D434,049 S *	11/2000	Brazell	D15/134
D478,602 S	8/2003	Lee		
6,679,145 B1 *	1/2004	Lee	83/788
D520,032 S *	5/2006	Nortmann et al.	D15/133
2004/0154454 A1 *	8/2004	Lee	83/788
2006/0144207 A1 *	7/2006	Nortmann et al.	83/809
2007/0006706 A1 *	1/2007	Watanabe et al.	83/788

* cited by examiner

Primary Examiner—Antoine D. Davis

Assistant Examiner—Patricia Palasik

(74) *Attorney, Agent, or Firm*—Mehul R. Jani; Adan Ayala; Charles Yocum

(57) **CLAIM**

The ornamental design for a band saw, as shown and described.

DESCRIPTION

FIG. 1 is a perspective view of a band saw showing the new design.

FIG. 2 is a right side view thereof.

FIG. 3 is left side view thereof.

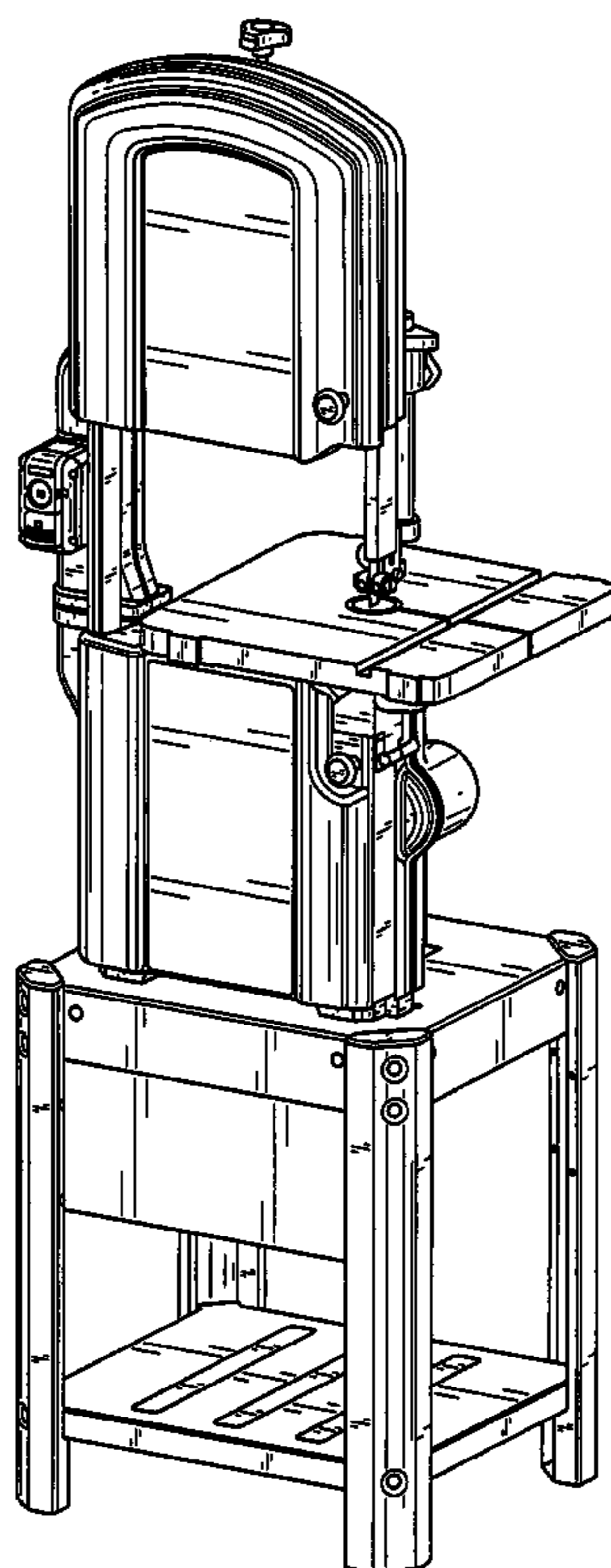
FIG. 4 is a rear view thereof.

FIG. 5 is a front view thereof.

FIG. 6 is a top plan view thereof; and,

FIG. 7 is a bottom plan view thereof.

1 Claim, 6 Drawing Sheets



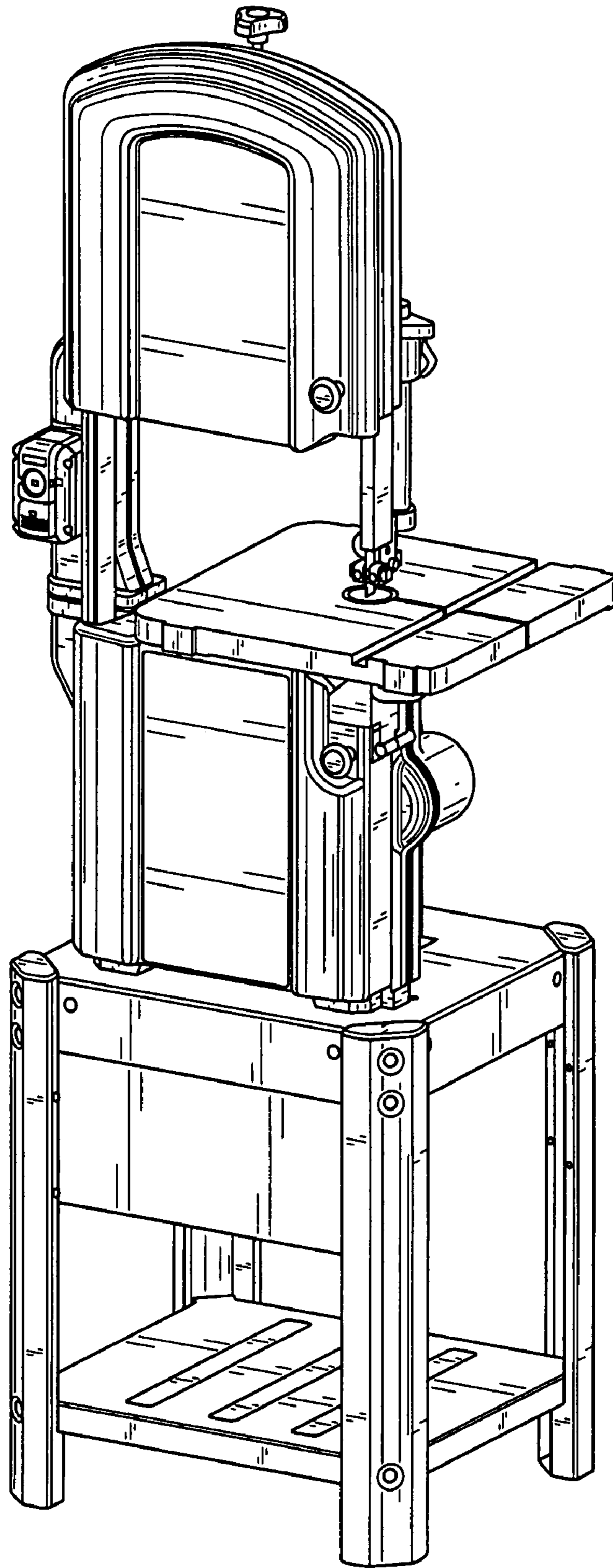


FIG. 1

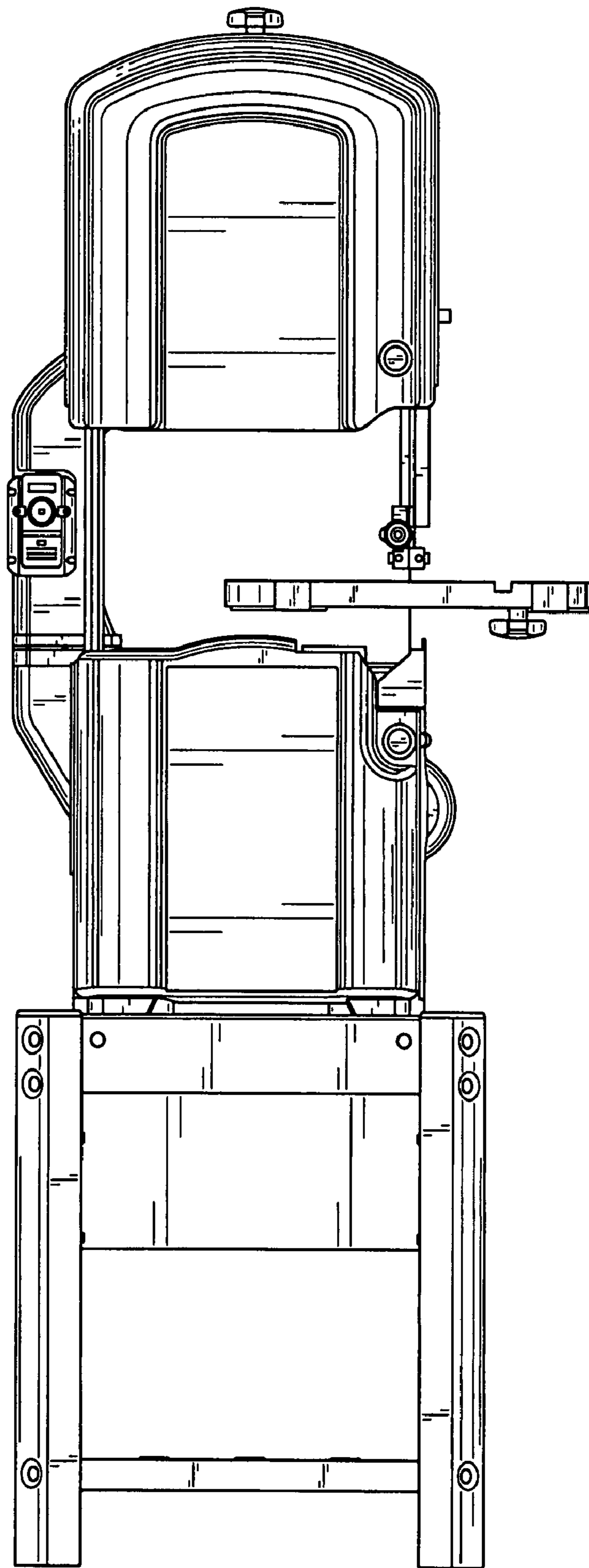


FIG. 2

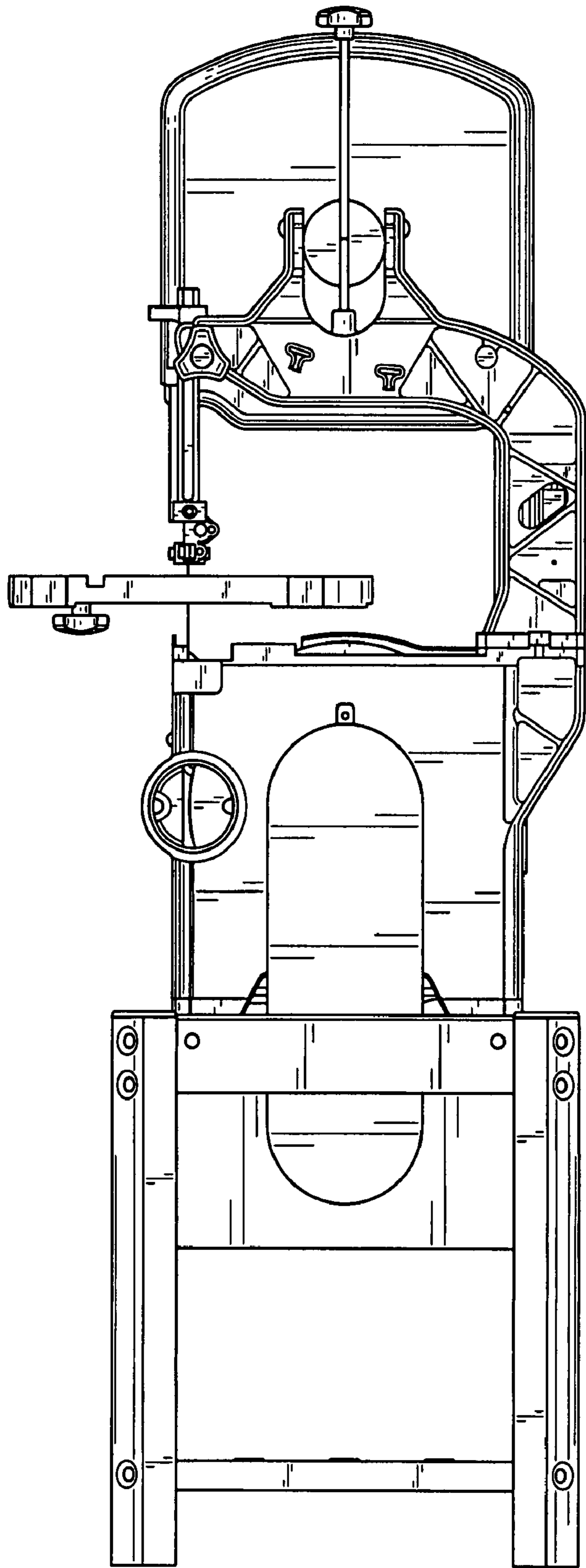


FIG. 3

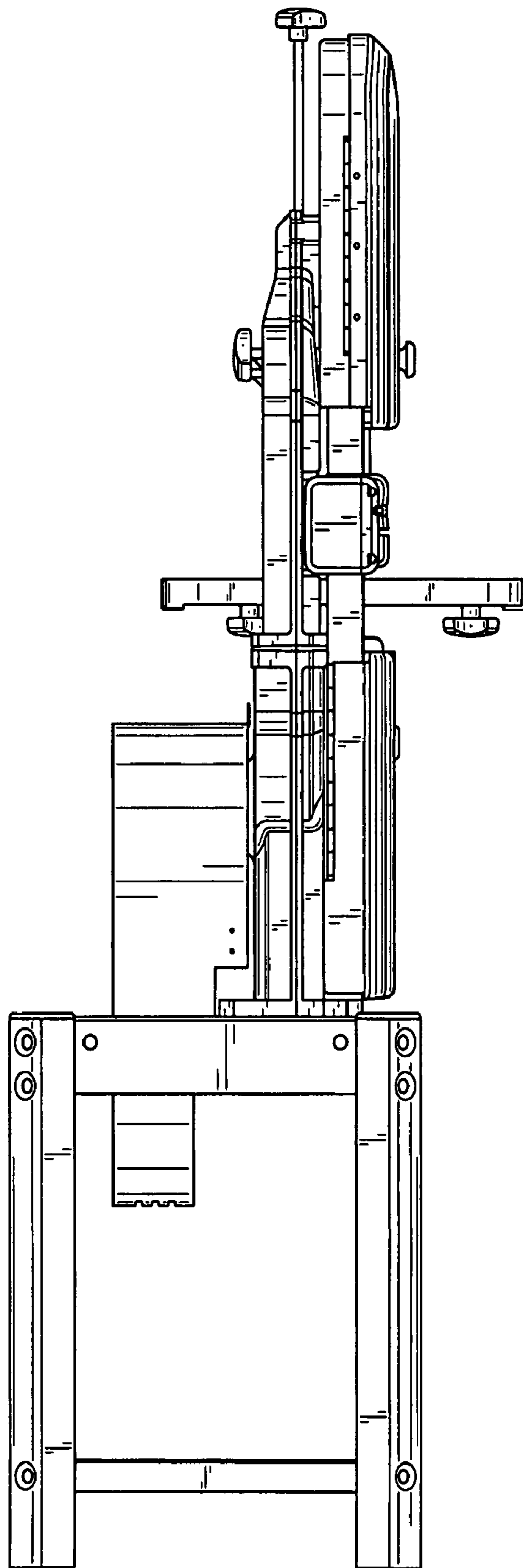


FIG. 4

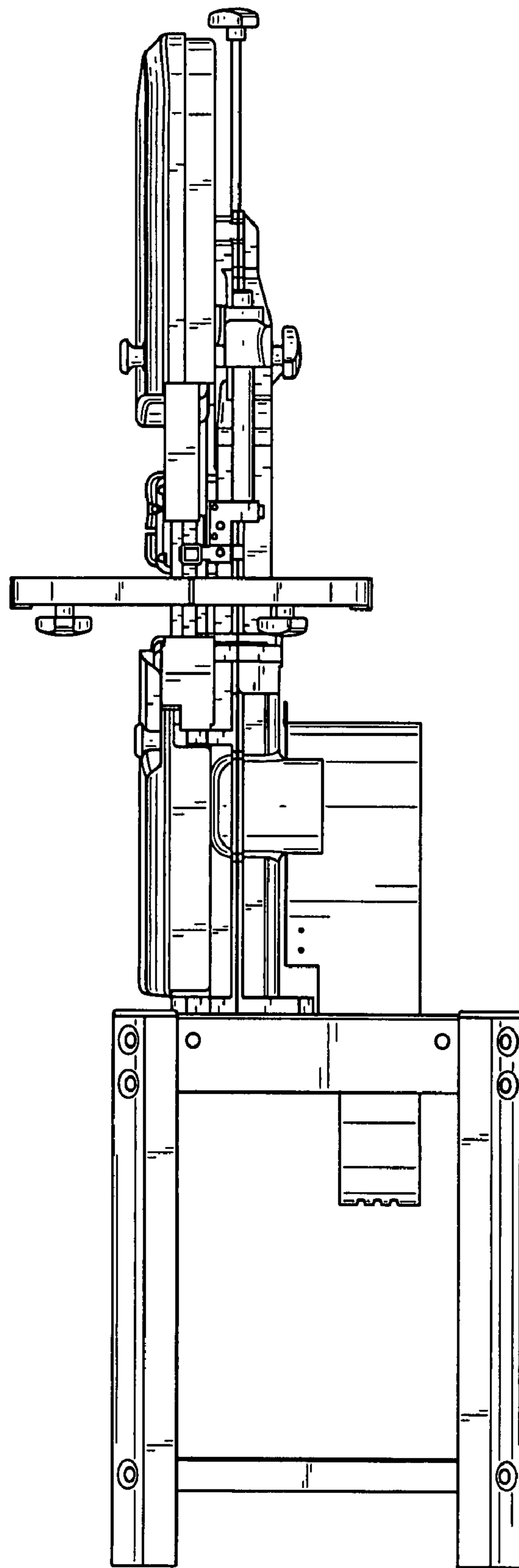


FIG. 5

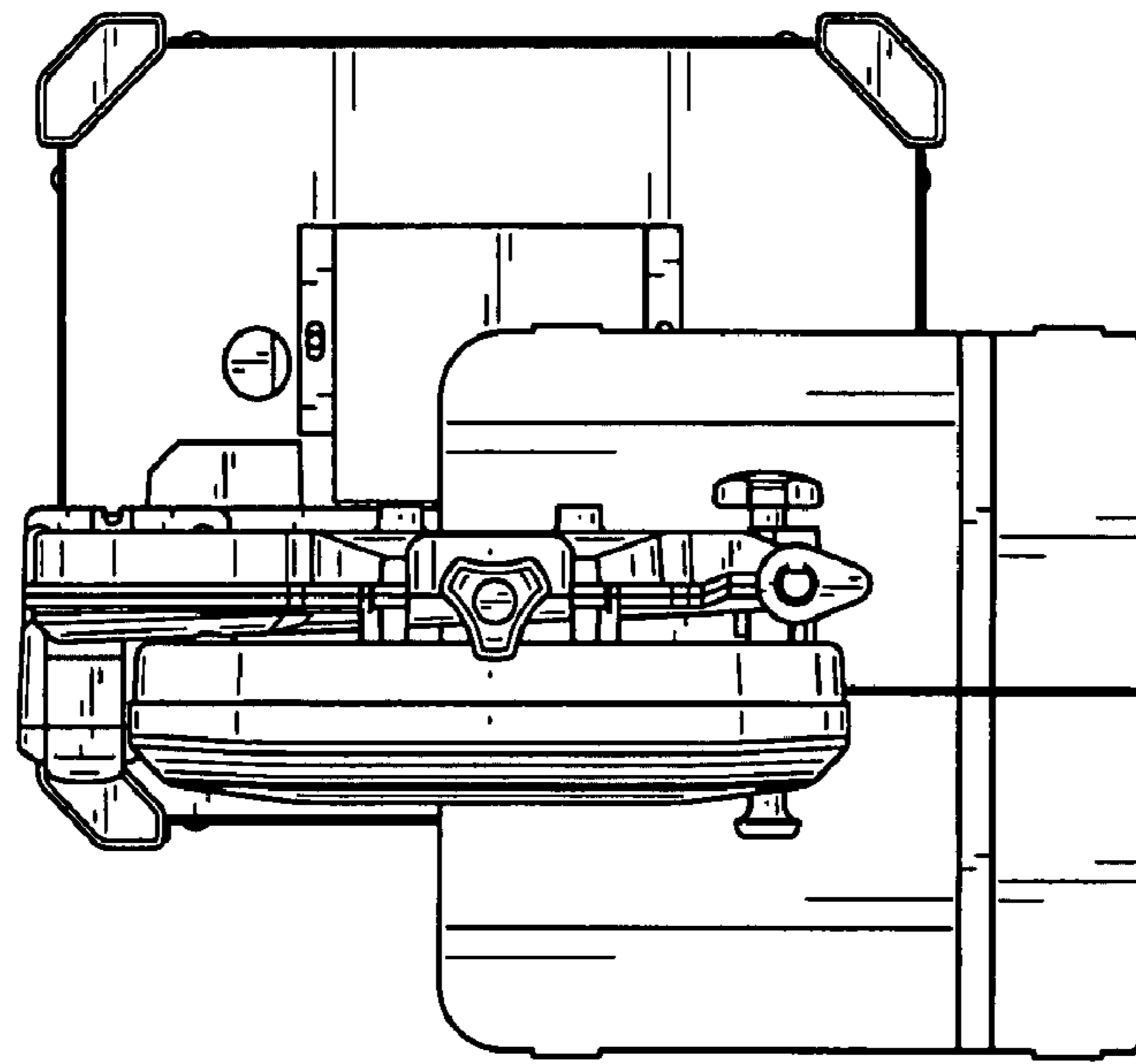


FIG. 6

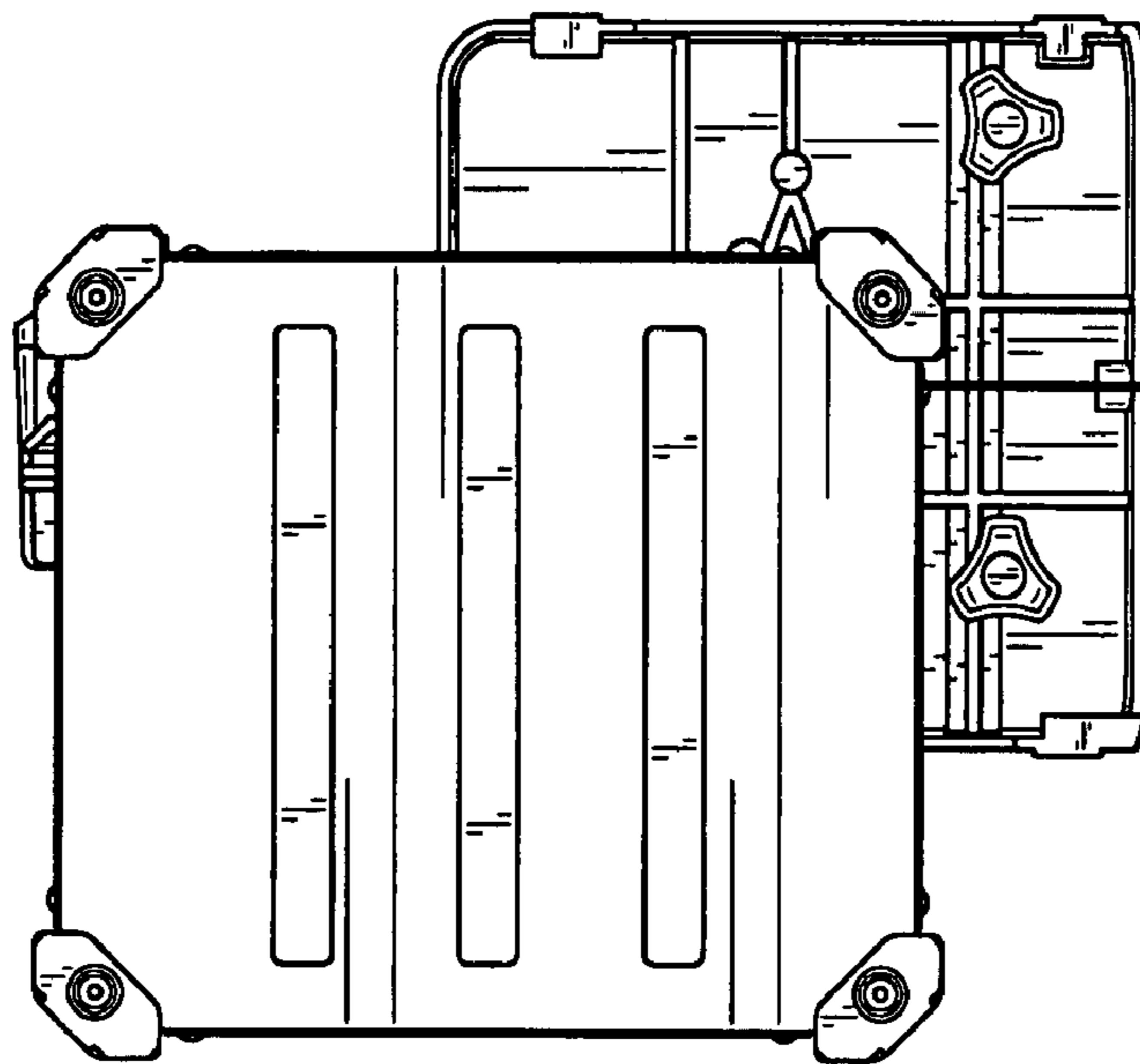


FIG. 7