



US00D564545S

(12) **United States Design Patent**
Poss et al.

(10) **Patent No.:** **US D564,545 S**
(45) **Date of Patent:** **** Mar. 18, 2008**

(54) **SOLAR-POWERED TRASH COMPACTOR**

(75) Inventors: **James Poss**, Jamaica Plain, MA (US);
Jeffrey Satwicz, Auburndale, MA (US)

(73) Assignee: **Seahorse Power Company**, Needham,
MA (US)

(**) Term: **14 Years**

(21) Appl. No.: **29/281,377**

(22) Filed: **Jun. 21, 2007**

(51) **LOC (8) Cl.** **15-09**

(52) **U.S. Cl.** **D15/123**

(58) **Field of Classification Search** D6/436,
D6/446; D15/79, 81, 82, 123; D23/356,
D23/359; 100/299 A, 343, 349, 902
See application file for complete search history.

(56) **References Cited**

U.S. PATENT DOCUMENTS

2,665,632	A *	1/1954	Kawa	100/902
2,968,235	A *	1/1961	Marica	100/902
3,869,978	A *	3/1975	Steinberg et al.	100/349
D236,375	S *	8/1975	Moriconi et al.	D15/123
D238,301	S *	12/1975	Montalbano	D15/123
4,432,278	A *	2/1984	Skipworth	100/349
4,593,615	A *	6/1986	Kehl	100/229 A
6,030,061	A *	2/2000	Lee	211/43
7,124,680	B2 *	10/2006	Poss et al.	100/229 A

D551,746	S *	9/2007	Pino et al.	D23/359
2005/0006450	A1 *	1/2005	Fitzgibbons et al.	232/30
2006/0108902	A1 *	5/2006	Lowery et al.	312/404
2007/0209529	A1 *	9/2007	Poss et al.	100/229 A

* cited by examiner

Primary Examiner—Antoine D. Davis

Assistant Examiner—Patricia Palasik

(74) *Attorney, Agent, or Firm*—Seyfarth Shaw LLP;
Thomas M. Saunders

(57) **CLAIM**

The ornamental design for a solar-powered trash compactor,
as shown and described.

DESCRIPTION

FIG. 1 is a perspective view of the showing the new design;
FIG. 2 is a front plan view of one side of the solar-powered
trash compactor;

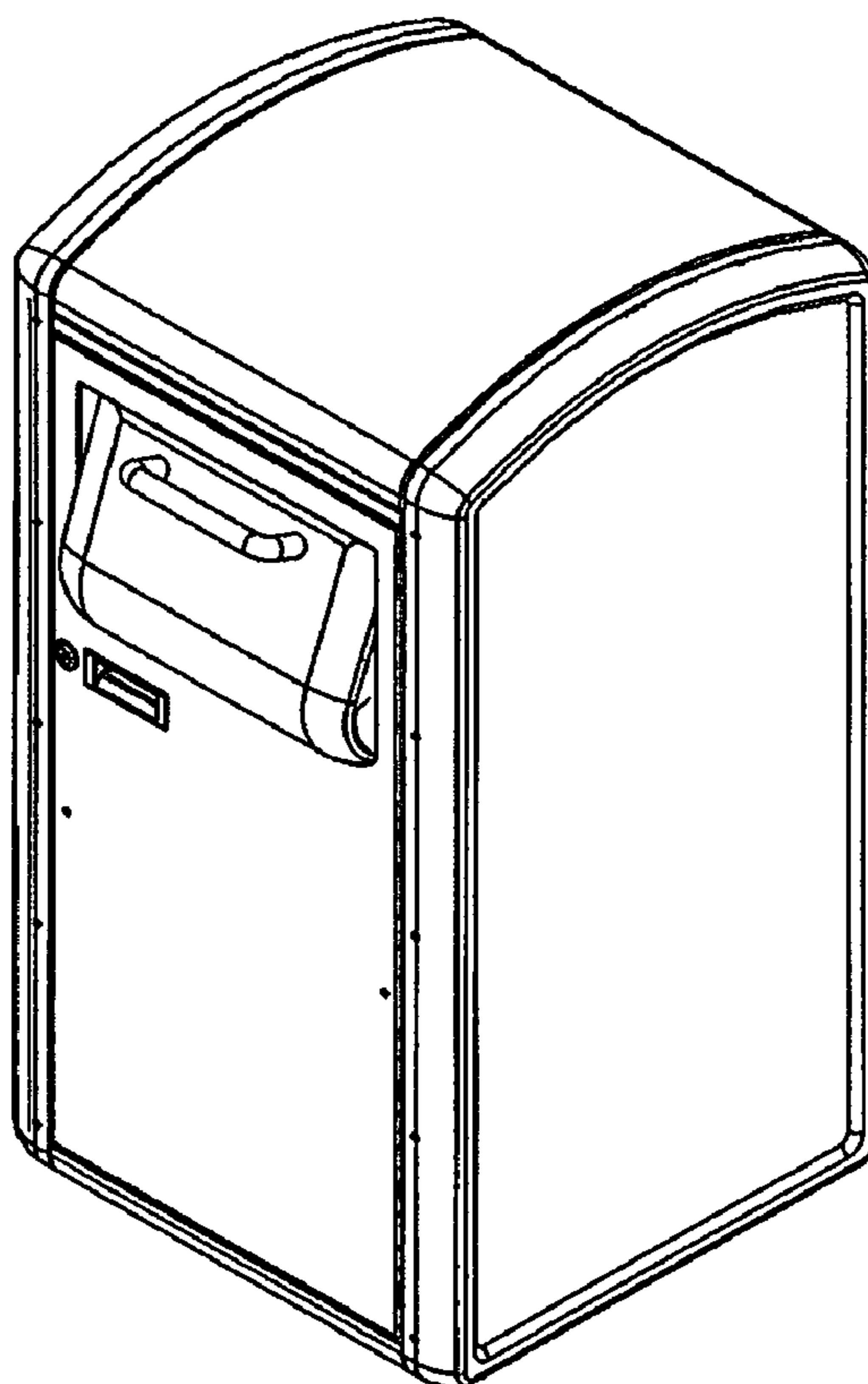
FIG. 3 is a rear plan view of the other side of the solar-
powered trash compactor;

FIG. 4 is a side plan view of the solar-powered trash
compactor;

FIG. 5 is a top plan view of the solar-powered trash
compactor; and,

FIG. 6 is a bottom plan view of the solar-powered trash
compactor.

1 Claim, 6 Drawing Sheets



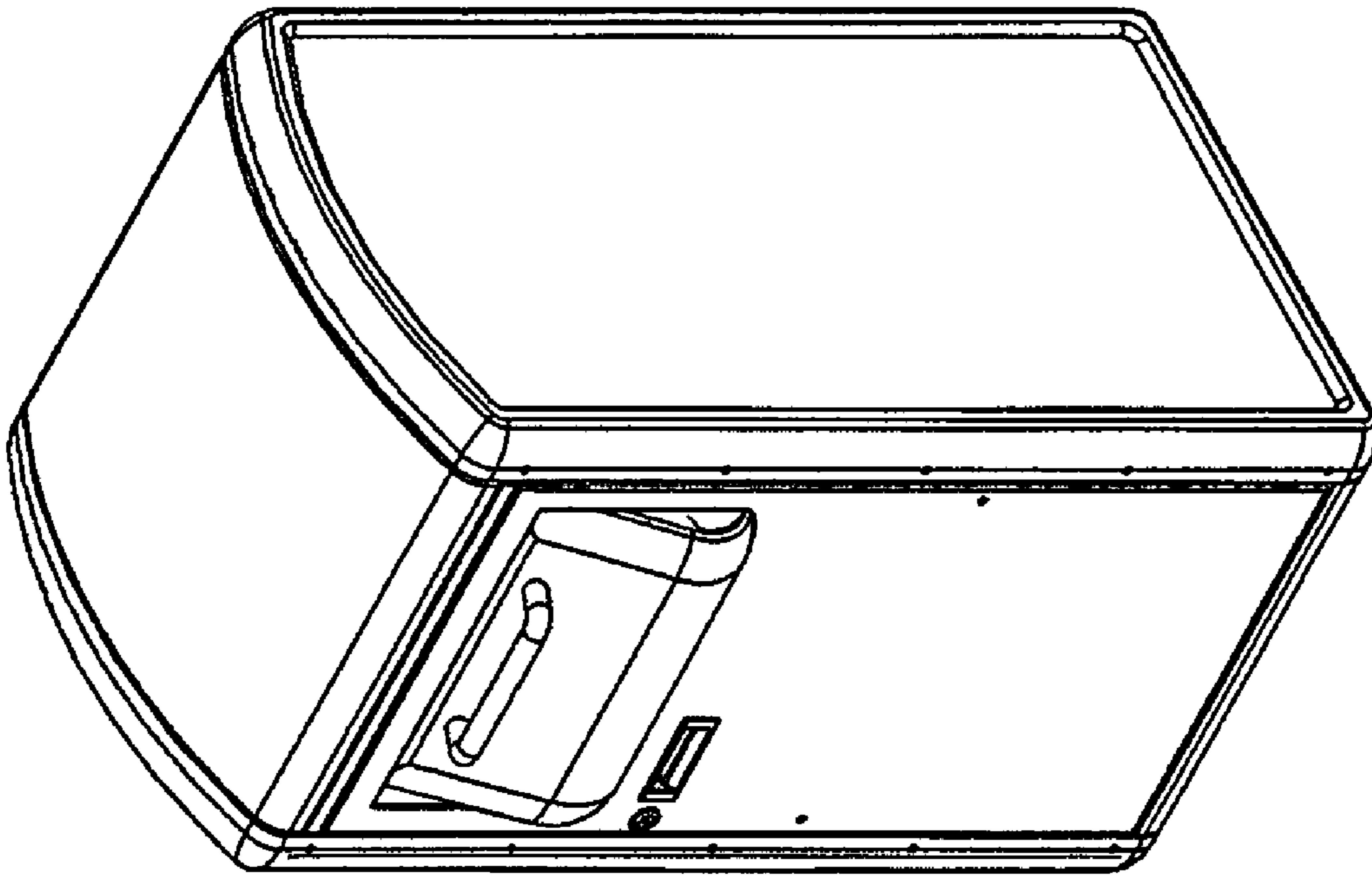


FIGURE J

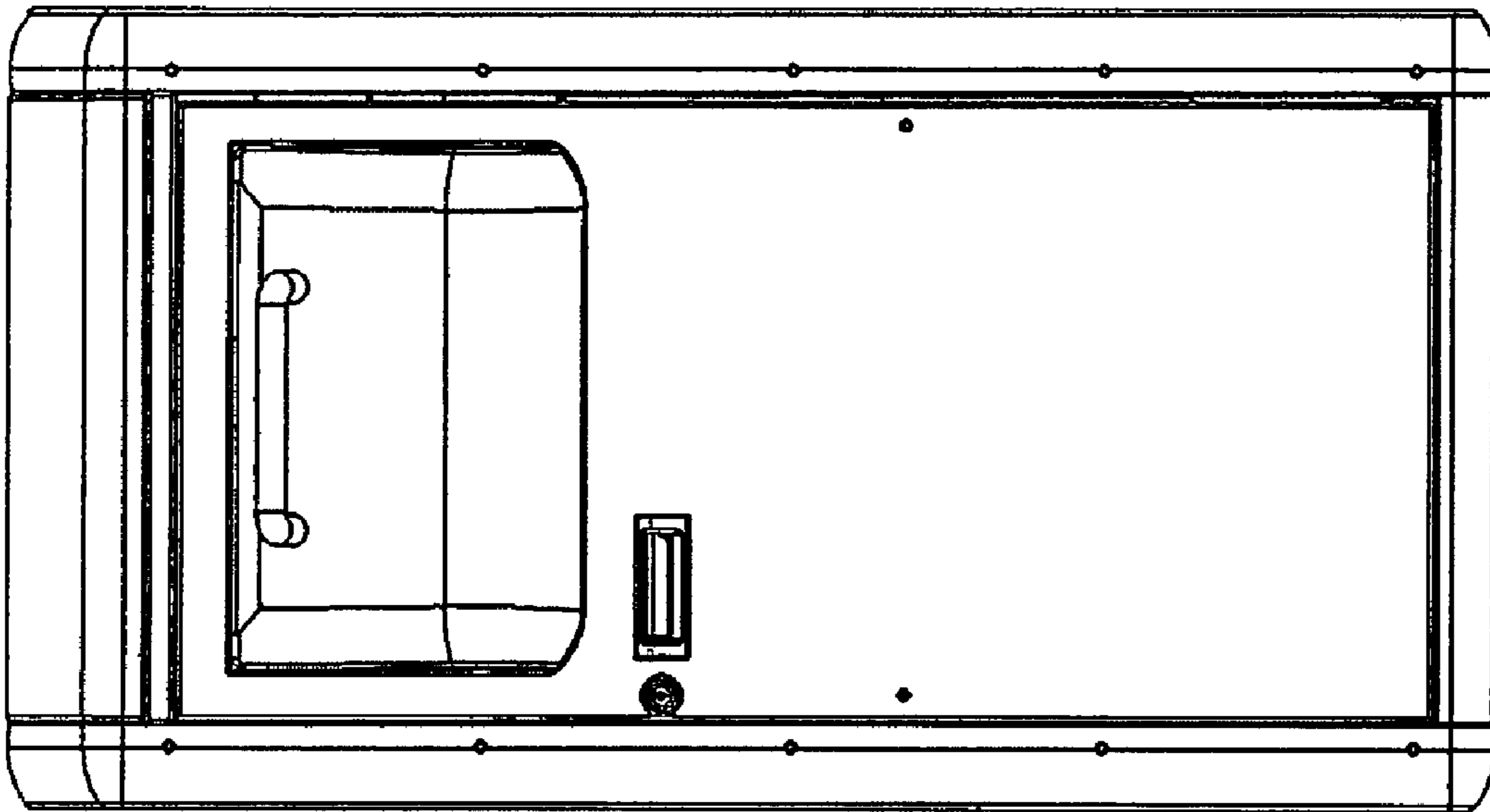


FIGURE 2

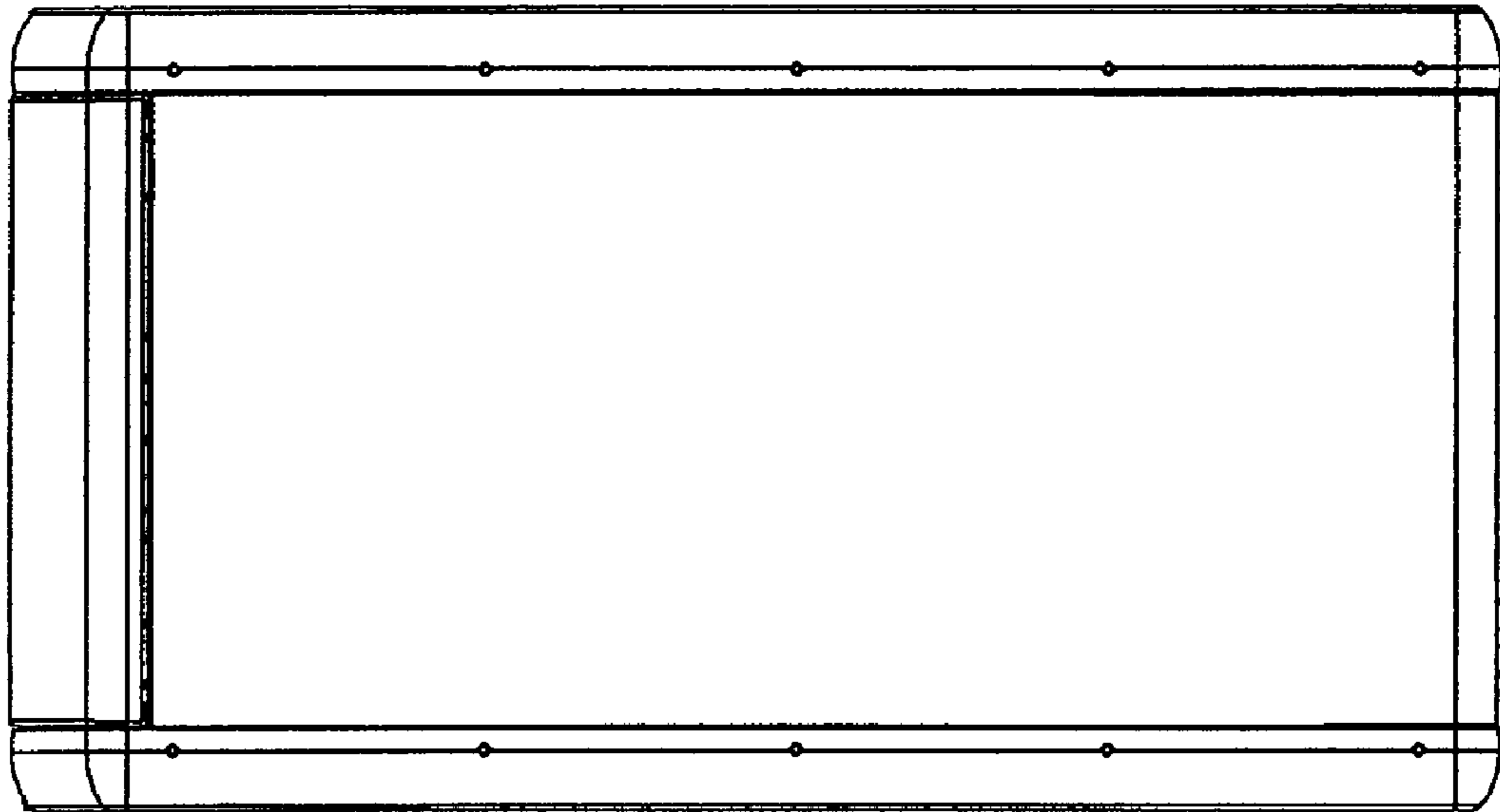


FIGURE 3

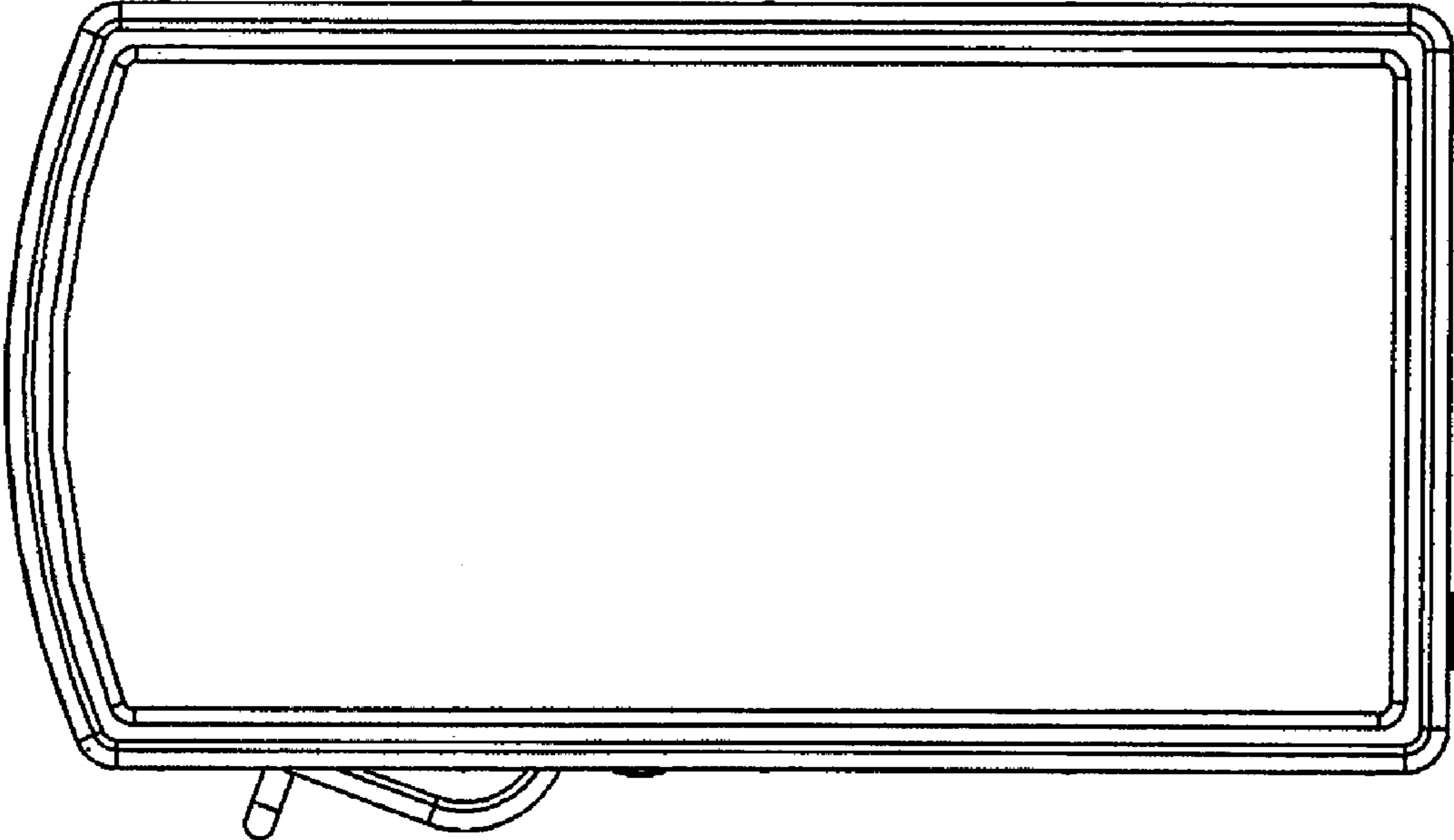


FIGURE 4

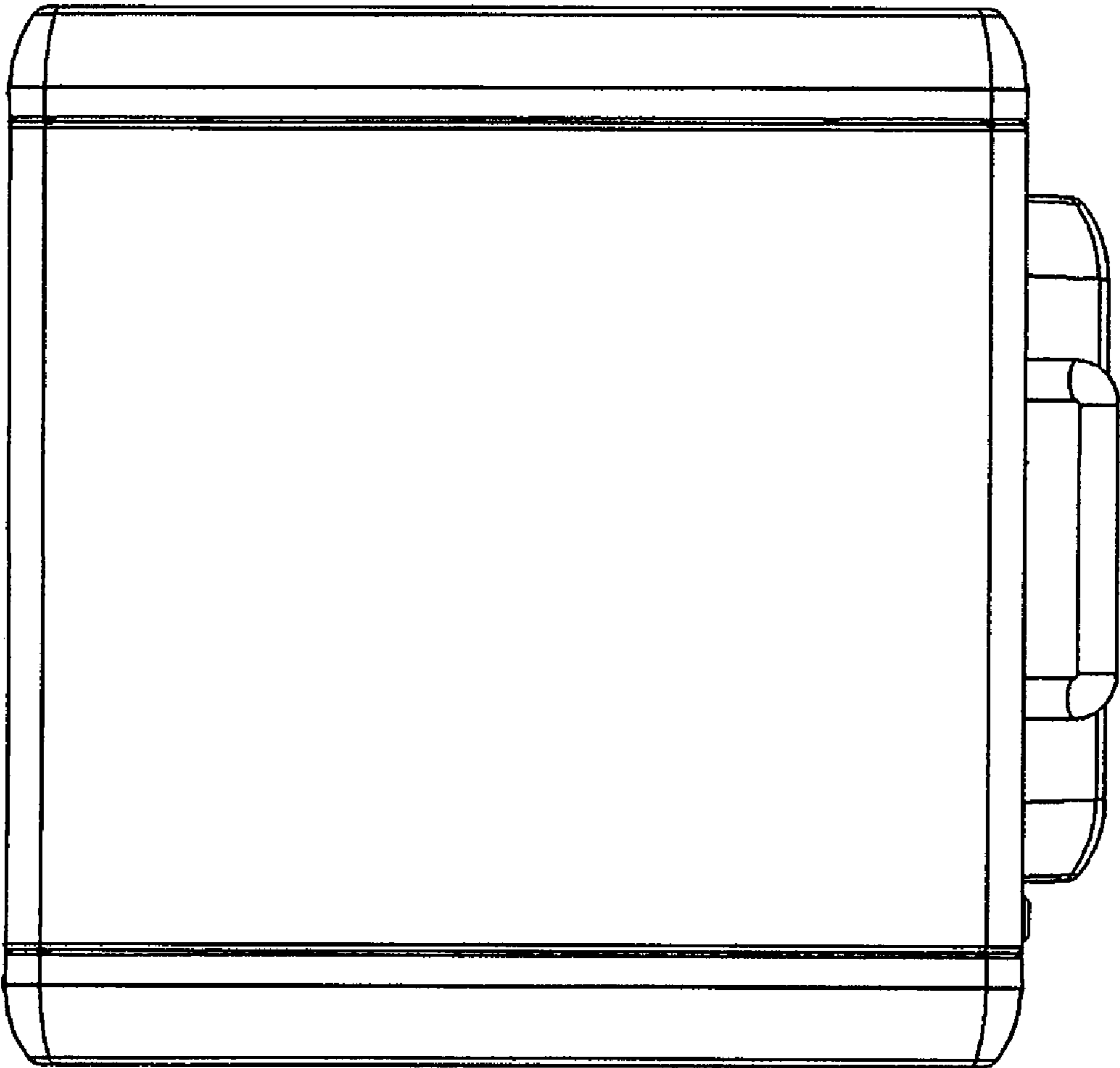


FIGURE 5

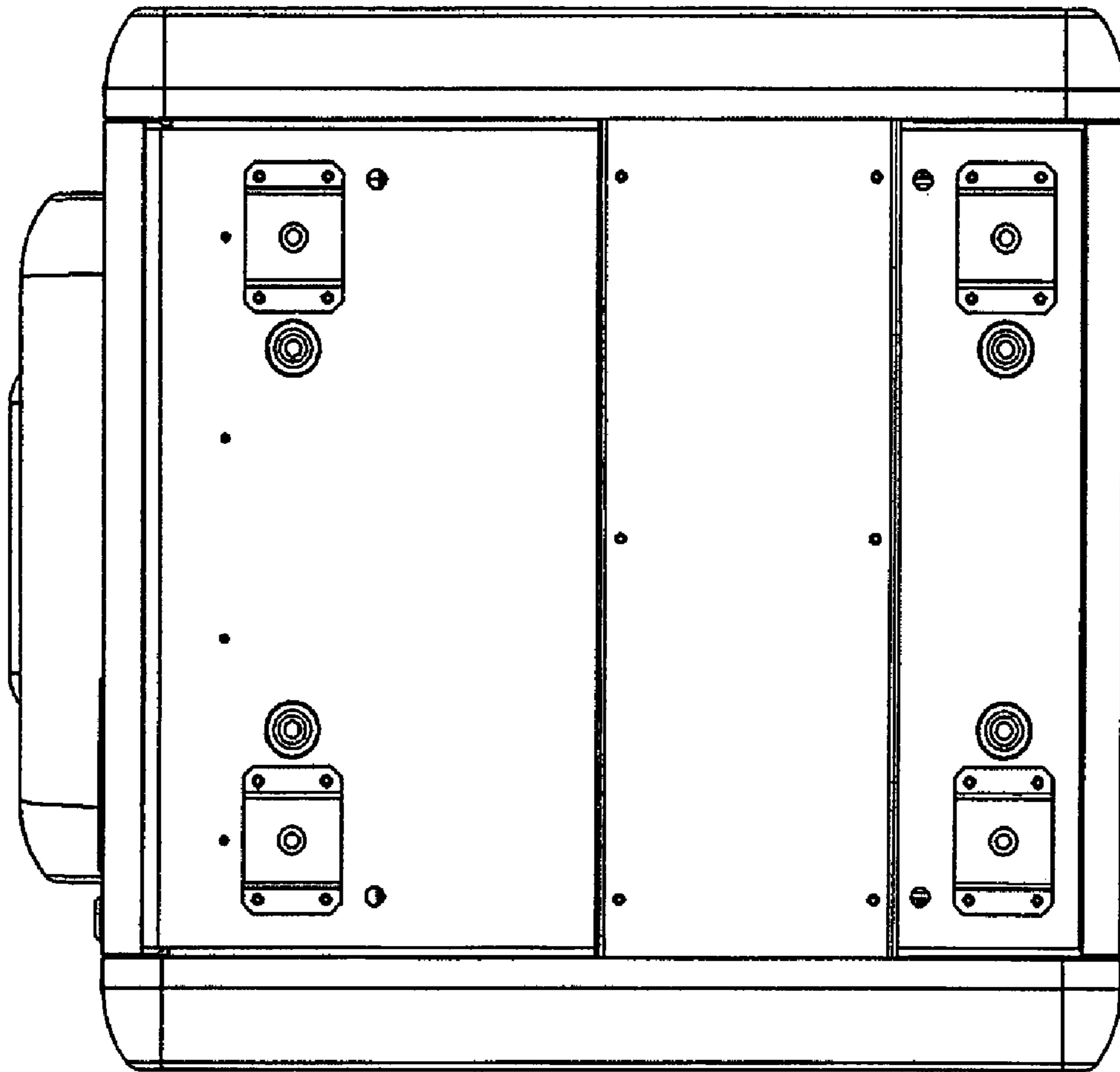


FIGURE 6