



US00D564521S

(12) **United States Design Patent**
Liu et al.

(10) **Patent No.: US D564,521 S**
(45) **Date of Patent: ** Mar. 18, 2008**

(54) **WIRELESS NOTEBOOK ADAPTER**

(75) Inventors: **Calvin Y. Liu**, Irvine, CA (US);
Hung-Bing Chen, Tustin, CA (US)

(73) Assignee: **Cisco Technology, Inc.**, San Jose, CA (US)

(**) Term: **14 Years**

(21) Appl. No.: **29/258,063**

(22) Filed: **Apr. 14, 2006**

(51) **LOC (8) Cl.** **14-02**

(52) **U.S. Cl.** **D14/433; D14/436; D14/438; D14/435**

(58) **Field of Classification Search** D14/242, D14/432-438, 191; 361/600, 622, 683, 684, 361/686, 724-728; D13/184, 123, 110; 379/433.09, 379/433.11-433.13, 419, 440, 428.01, 428.04; 455/550.1, 552.1, 553.1, 554.1, 554.2, 555, 455/557, 556.1, 558, 575.1, 90.3; 439/101, 439/108, 946, 607; 174/52.1, 35 R; 902/26
See application file for complete search history.

(56) **References Cited**

U.S. PATENT DOCUMENTS

D355,412 S *	2/1995	Rak et al.	D14/242
D361,332 S *	8/1995	Scheid et al.	D14/191
5,513,074 A *	4/1996	Ainsbury et al.	361/737
D371,770 S *	7/1996	Larson et al.	D14/242
D378,085 S *	2/1997	Kerklaan et al.	D14/436
D415,479 S *	10/1999	Yang et al.	D14/436
6,018,461 A *	1/2000	Biermann et al.	361/737
D431,035 S *	9/2000	Lehtomaki	D14/242

D452,494 S *	12/2001	Sodling	D14/242
6,353,534 B1 *	3/2002	Chen	361/684
D458,935 S *	6/2002	Hiroki	D14/436
6,400,931 B1 *	6/2002	Inkinen et al.	455/90.1
D475,701 S *	6/2003	Kasuya et al.	D14/242
D485,561 S *	1/2004	Hong et al.	D14/436
D486,482 S *	2/2004	Huang	D14/242
D489,714 S *	5/2004	Yin et al.	D14/242
D502,181 S *	2/2005	Hong et al.	D14/436
2003/0231472 A1 *	12/2003	Tseng et al.	361/737

* cited by examiner

Primary Examiner—Melanie Tung

Assistant Examiner—Susan Moon Lee

(74) *Attorney, Agent, or Firm*—MacPherson Kwok Chen & Heid LLP; Tom Chen

(57) **CLAIM**

We claim the ornamental design for a wireless notebook adapter, substantially as shown and described.

DESCRIPTION

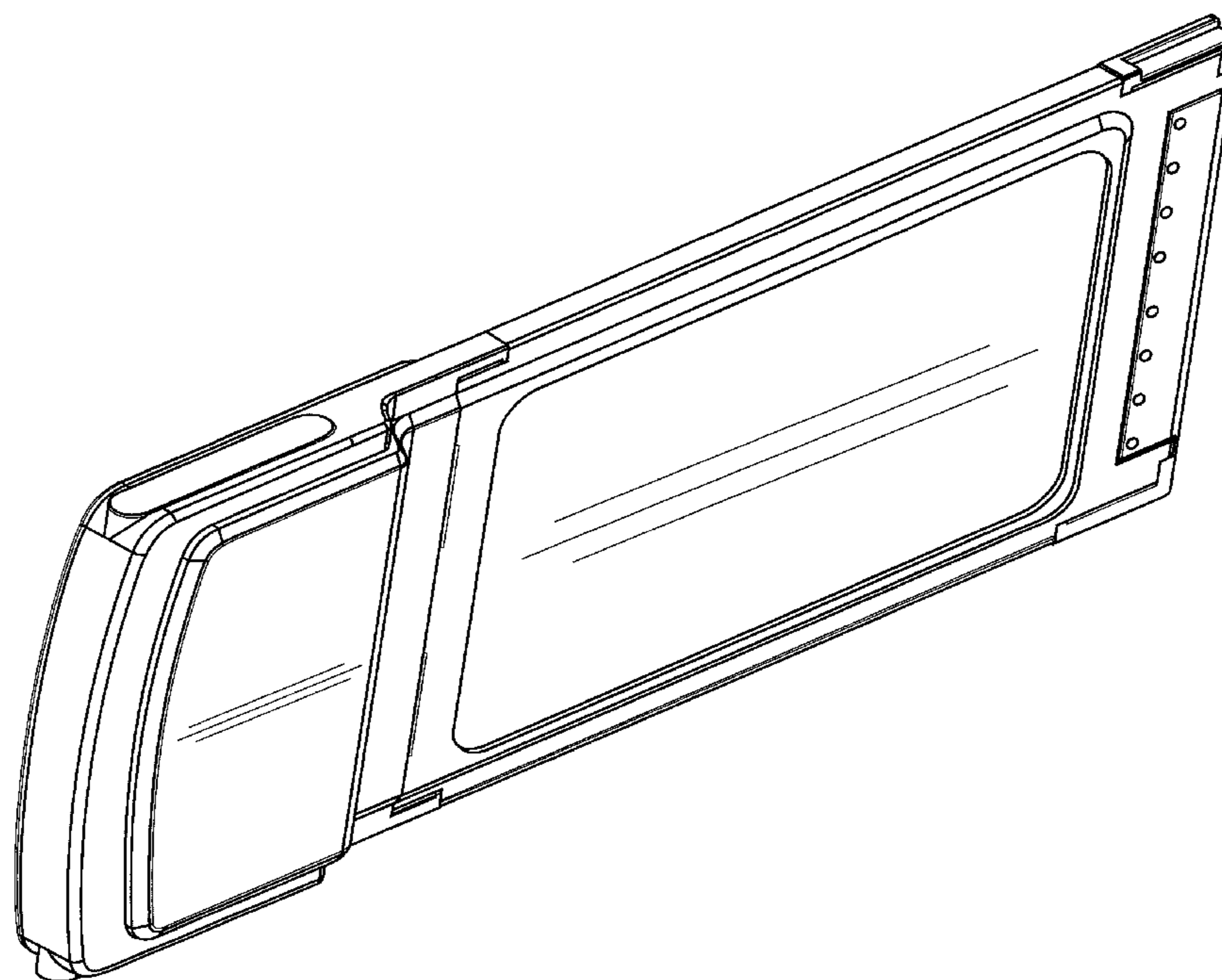
FIG. 1 is a top view of the wireless notebook adapter according to one embodiment;

FIG. 2 is a perspective view of the wireless notebook adapter of FIG. 1;

FIG. 3 is a side view of the wireless notebook adapter of FIG. 1, the opposite side view being a mirror image thereof; and,

FIG. 4 is a front view of the wireless notebook adapter of FIG. 1.

1 Claim, 3 Drawing Sheets



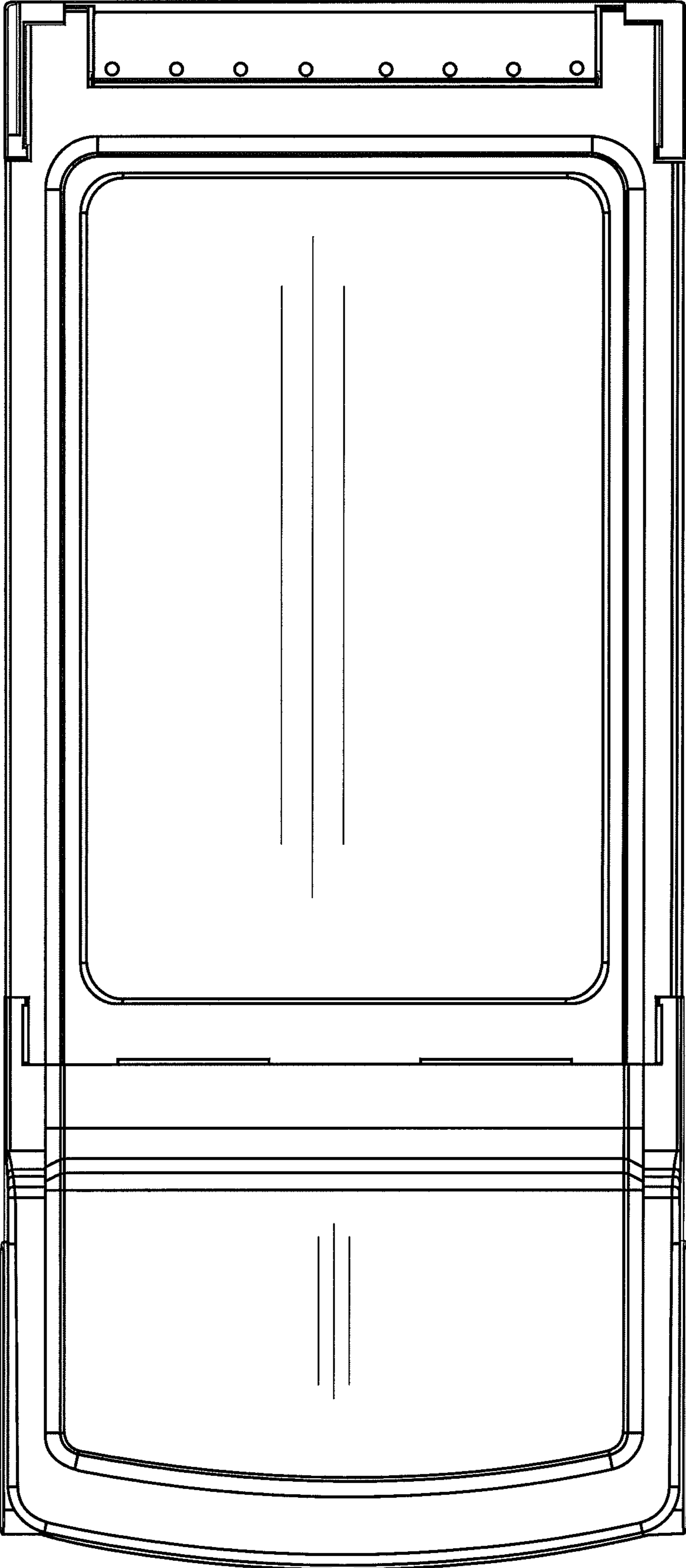


Fig. 1

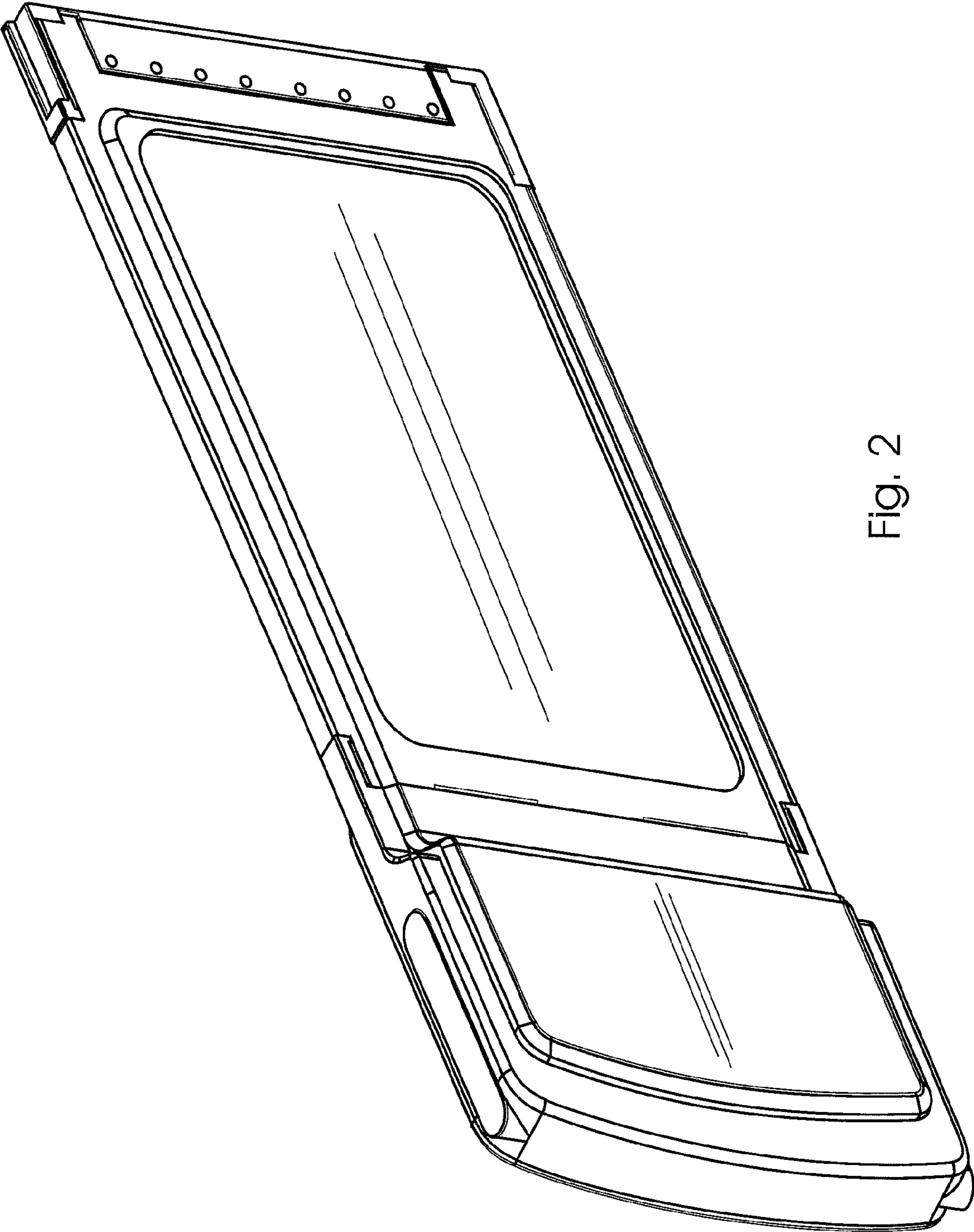


Fig. 2

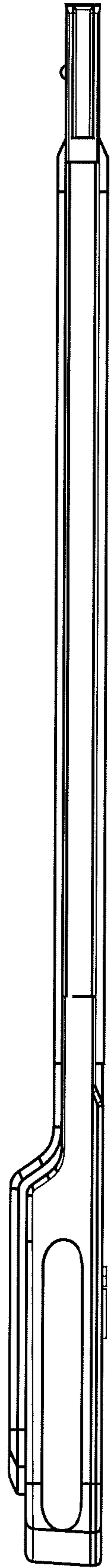


Fig. 3

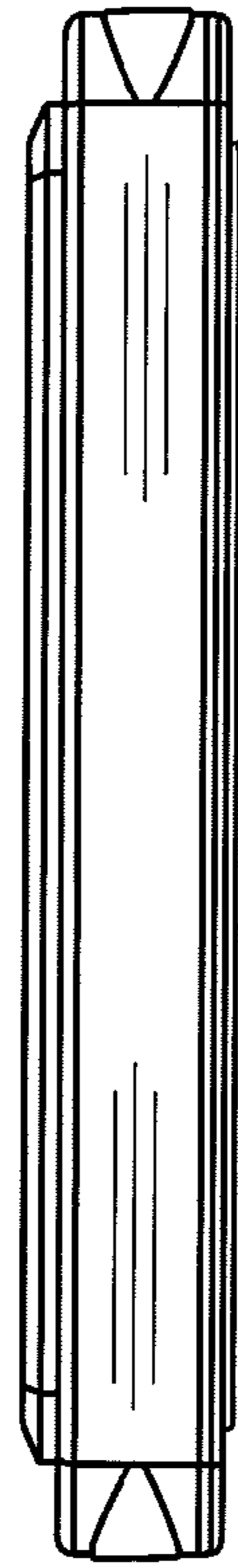


Fig. 4