



US00D564520S

(12) **United States Design Patent**
Baseflug et al.

(10) **Patent No.: US D564,520 S**
(45) **Date of Patent: ** Mar. 18, 2008**

(54) **HOUSING FOR AN ELECTRONIC DEVICE**

(75) Inventors: **Michael Baseflug**, Duvall, WA (US);
Jonathan A. Hayes, Boston, MA (US);
James Y. Koo, Renton, WA (US)

(73) Assignee: **Microsoft Corporation**, Redmond, WA (US)

(**) Term: **14 Years**

(21) Appl. No.: **29/246,088**

(22) Filed: **Feb. 6, 2006**

(51) **LOC (8) Cl. 14-02**

(52) **U.S. Cl. D14/433; D14/496; D21/333**

(58) **Field of Classification Search** D14/356,
D14/357, 433, 432, 454, 230; D21/331-333;
463/44-47; 273/148 B; 345/156, 520; 343/770 R,
343/878, 904; 455/1, 3.06; D13/123, 184
See application file for complete search history.

(56) **References Cited**

U.S. PATENT DOCUMENTS

5,678,229	A *	10/1997	Seki et al.	455/572
5,809,520	A *	9/1998	Edwards et al.	711/115
D409,203	S *	5/1999	Morimiya	D14/242
6,394,813	B1 *	5/2002	Stout et al.	439/11
6,538,607	B2 *	3/2003	Barna	343/702
6,544,075	B1 *	4/2003	Liao	439/638

6,558,689	B2 *	5/2003	Ross	424/434
D488,148	S *	4/2004	Shively et al.	D14/230
D508,493	S *	8/2005	Liu	D14/433
D517,071	S *	3/2006	Cao et al.	D14/433
D552,610	S *	10/2007	Newby et al.	D14/433

* cited by examiner

Primary Examiner—Prabhakar Deshmukh

(74) *Attorney, Agent, or Firm*—Banner & Witcoff, Ltd.

(57) **CLAIM**

The ornamental design for a housing for an electronic device, as shown and described.

DESCRIPTION

FIG. 1 is a perspective view of a housing for an electronic device showing our new design;

FIG. 2 is a front view thereof;

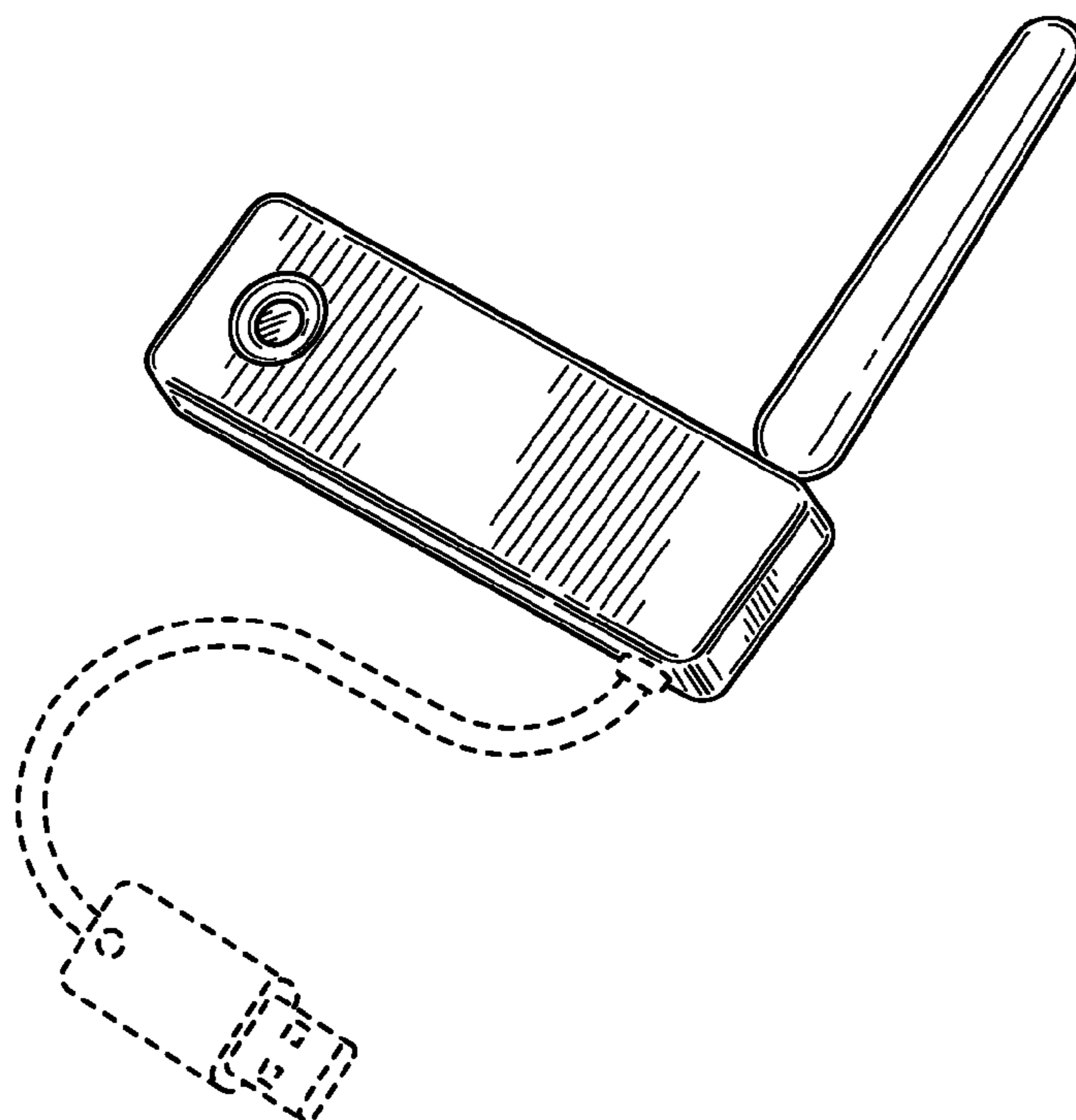
FIG. 3 is a right view thereof;

FIG. 4 is a left view thereof; and,

FIG. 5 is a top view thereof.

The broken line showing of the connection terminal and cabling on the bottom of the housing, including the unshaded areas within the broken line showing, are for illustrative purposes only and form no part of the claimed design.

1 Claim, 2 Drawing Sheets



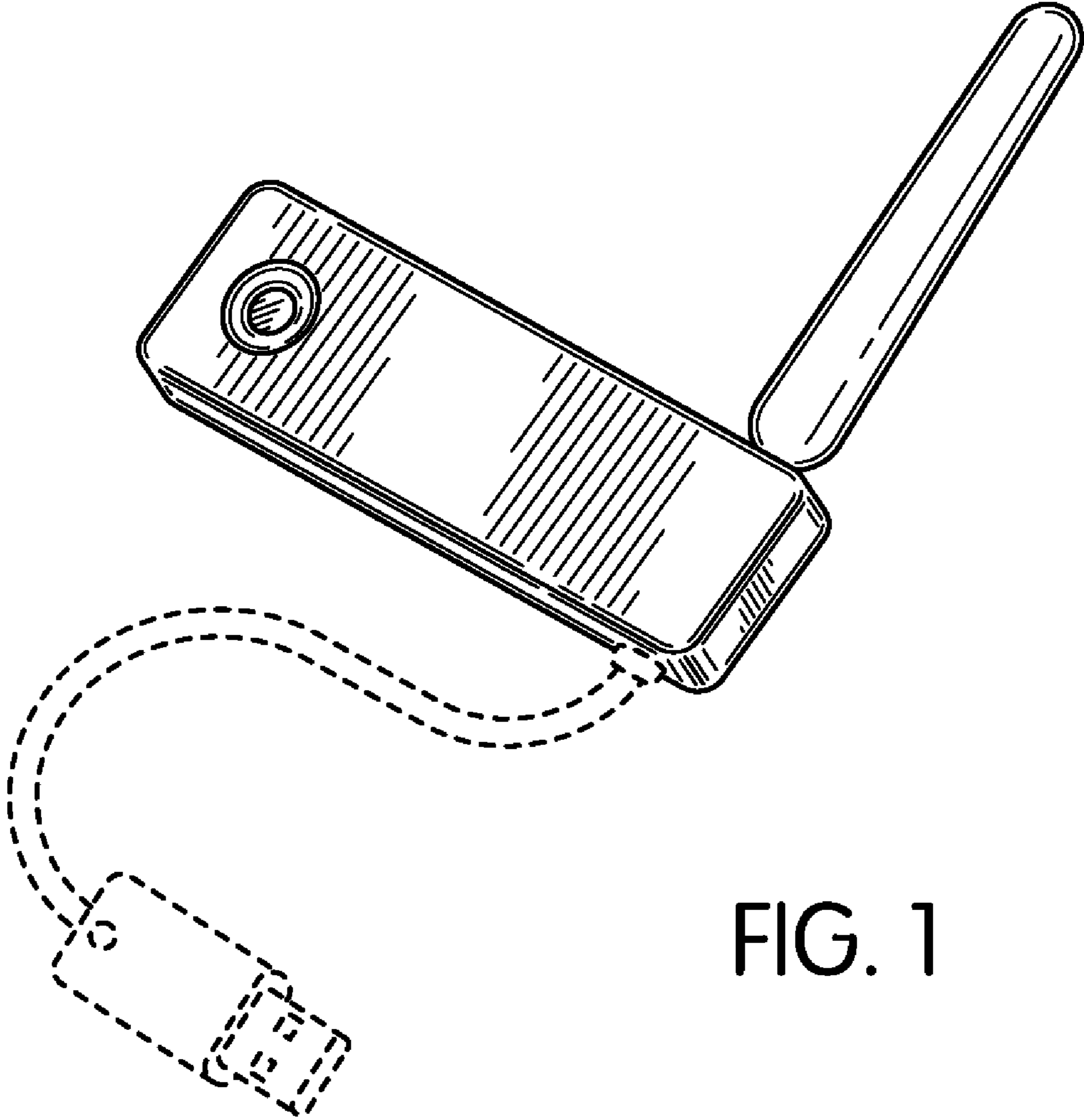


FIG. 1

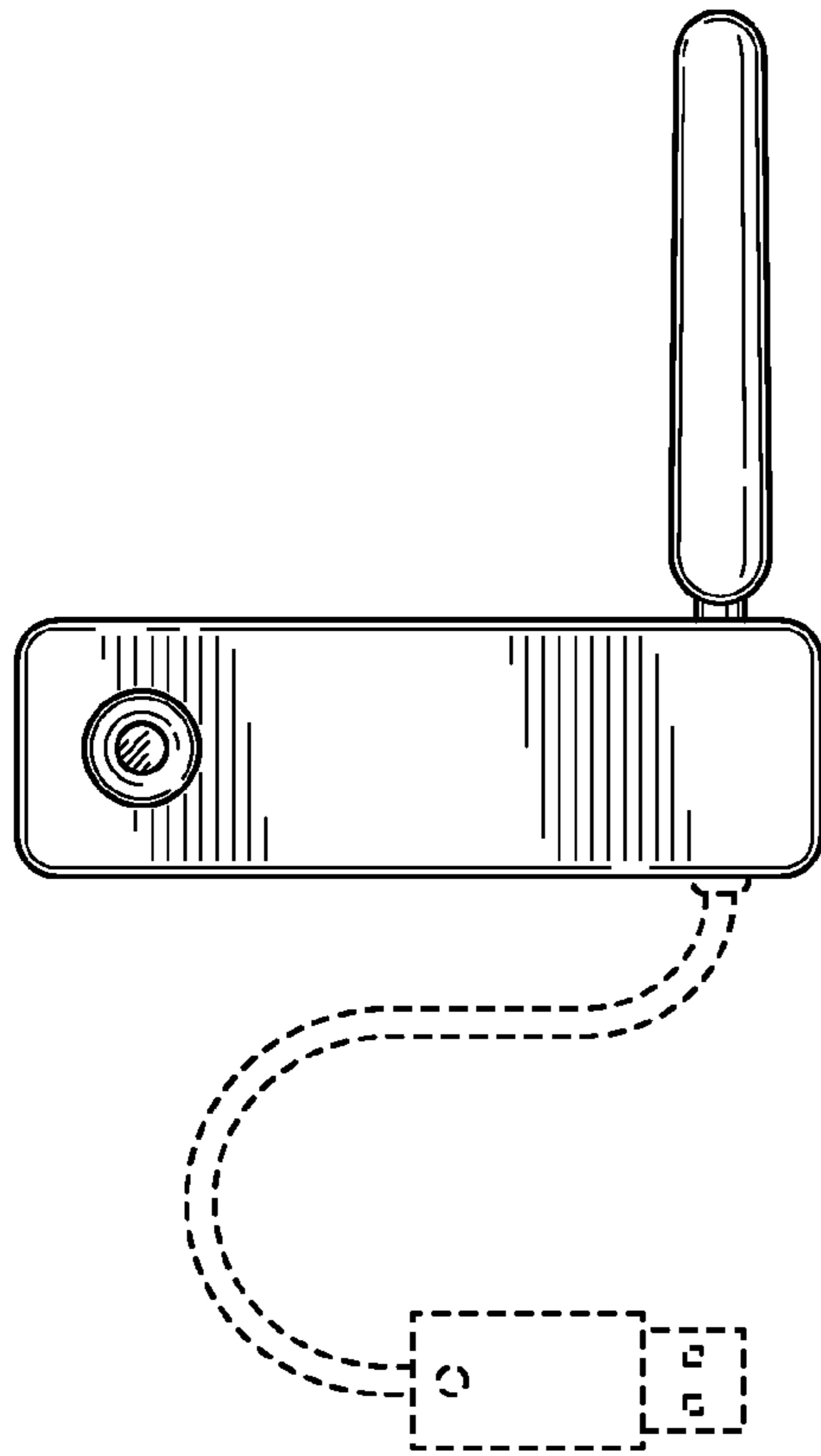


FIG. 2



FIG. 3



FIG. 4



FIG. 5