



US00D564519S

(12) **United States Design Patent**  
**Genatossio et al.**

(10) **Patent No.:** **US D564,519 S**  
(45) **Date of Patent:** **\*\* Mar. 18, 2008**

(54) **ELECTRONIC SCANNER**

D322,982 S \* 1/1992 Tashiro ..... D18/54

(75) Inventors: **Lou Genatossio**, Shrewsbury, MA  
(US); **Hal Avery**, Needham, MA (US)

(Continued)

(73) Assignee: **Sanford, L.P.**, Oak Brook, IL (US)

(\*\*) Term: **14 Years**

*Primary Examiner*—Melanie Tung

*Assistant Examiner*—Susan Moon Lee

(21) Appl. No.: **29/265,400**

(74) *Attorney, Agent, or Firm*—Marshall Gerstein & Borun,  
LLP

(22) Filed: **Aug. 30, 2006**

(57) **CLAIM**

(51) **LOC (8) Cl.** ..... **14-02**

The ornamental design for the electronic scanner, as shown  
and described.

(52) **U.S. Cl.** ..... **D14/422**

(58) **Field of Classification Search** ..... D14/420,

D14/422, 425, 462–470, 424, 389, 125, 399;

D18/54, 55, 50, 53, 36–39, 14, 18–21, 49,

D18/46, 52, 56, 51, 54.4; D13/164, 168;

358/400, 401, 448, 474, 486–488, 496, 497,

358/494, 473, 302, 468, 498; 382/312, 317,

382/321, 315; 400/613, 613.1–613.4, 690.1–690.4,

400/691–694, 88, 175; 399/107, 379, 380,

399/211, 212; 235/462.11, 462.41, 472.01,

235/470, 462.43; 361/680, 681; 378/177,

378/187, 188; 101/93.4, 269; 355/78; D24/165,

D24/169, 186; 600/502, 503, 499, 494, 490,

600/485, 500, 492, 480, 493, 495, 479; 128/900;

16/286; 347/104, 109, 5; 271/186, 225,

271/126, 121, 137, 138

See application file for complete search history.

**DESCRIPTION**

FIG. 1 is a front perspective view of the electronic scanner  
of this invention;

FIG. 2 is a side view of the electronic scanner of this  
invention from a first side;

FIG. 3 is a side view of the electronic scanner of this  
invention from a second side;

FIG. 4 is a top plan view of the electronic scanner of this  
invention;

FIG. 5 is a front elevation view of the electronic scanner of  
this invention;

FIG. 6 is a rear elevation view of the electronic scanner of  
this invention;

FIG. 7 is a bottom plan view of the electronic scanner of this  
invention; and,

FIG. 8 is a slightly reduced perspective view of the elec-  
tronic scanner of this invention with the door shown open.

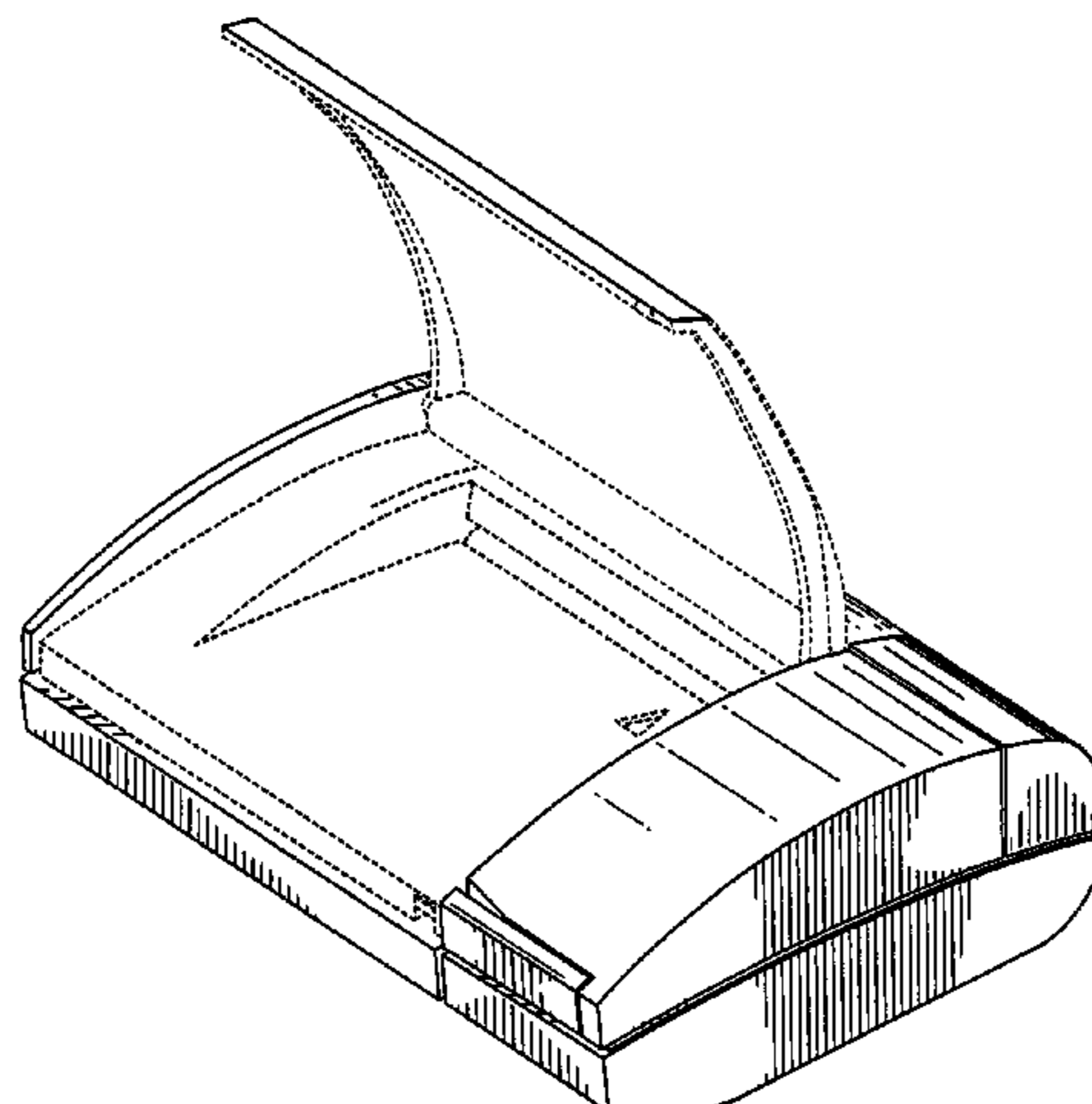
The broken lines showing the power jack area, bottom  
portion of the feet, inside portion of the door, and interior of  
the electronic scanner are for illustrative purposes only and  
form no part of the claimed design.

(56) **References Cited**

U.S. PATENT DOCUMENTS

D283,915 S *	5/1986	Kosako et al. ....	D24/165
D286,437 S *	10/1986	Nishibori .....	D24/165
D301,141 S *	5/1989	Sugimoto .....	D18/54
4,904,100 A *	2/1990	Enix .....	400/613
D307,157 S *	4/1990	Sakaguchi et al. ....	D18/54
D309,298 S *	7/1990	Pushelberg .....	D14/242
D316,869 S *	5/1991	Sugawara et al. ....	D18/54
D317,014 S *	5/1991	Oyamada et al. ....	D18/54
5,061,097 A *	10/1991	Piatt .....	400/619
D321,898 S *	11/1991	Kasee et al. ....	D18/55

**1 Claim, 8 Drawing Sheets**



# US D564,519 S

Page 2

## U.S. PATENT DOCUMENTS

D323,344 S *	1/1992	Umino et al. ....	D18/54	6,200,043 B1 *	3/2001	Inoue et al. ....	400/88
D329,869 S *	9/1992	Suzuki .....	D18/49	D450,345 S *	11/2001	Miyazaki .....	D18/50
D333,302 S *	2/1993	Ebihara et al. ....	D14/462	D459,389 S *	6/2002	Kaseno .....	D18/50
D338,271 S *	8/1993	Yoshikawa et al. ....	D24/165	D463,485 S *	9/2002	Yoshida et al. ....	D18/50
D340,038 S *	10/1993	Venne et al. ....	D14/420	D466,920 S *	12/2002	Kawahara et al. ....	D18/50
D342,501 S *	12/1993	Saeki et al. ....	D14/126	D466,921 S *	12/2002	Senshiki .....	D18/54
D360,621 S *	7/1995	Schoening .....	D14/345	6,556,314 B1 *	4/2003	Shiraishi et al. ....	358/471
D367,473 S *	2/1996	Tochishita et al. ....	D14/387	6,568,674 B2 *	5/2003	Matsuda .....	271/274
D368,255 S *	3/1996	Sasaki et al. ....	D14/420	6,606,762 B1	8/2003	Levine et al.	
D369,617 S *	5/1996	Sato .....	D18/54	D483,059 S *	12/2003	Goh et al. ....	D18/50
D374,888 S *	10/1996	Udagawa .....	D18/50	D483,061 S *	12/2003	Wong .....	D18/55
D375,297 S *	11/1996	Casarez et al. ....	D14/358	D486,178 S *	2/2004	Wong et al. ....	D18/55
D377,168 S *	1/1997	Chen et al. ....	D14/425	D489,401 S *	5/2004	Senshiki et al. ....	D18/54
D384,945 S *	10/1997	Takada et al. ....	D14/420	D490,845 S *	6/2004	Fukushima .....	D18/50
D393,870 S *	4/1998	Kobayashi et al. ....	D18/55	D492,960 S *	7/2004	Takizawa .....	D18/54
5,737,097 A *	4/1998	Fujimoto .....	358/476	6,786,665 B2 *	9/2004	Hwang et al. ....	400/693
D412,900 S *	8/1999	Utsugi .....	D14/136	D497,940 S *	11/2004	Hwang et al. ....	D18/50
D420,446 S *	2/2000	Kehr et al. ....	D24/186	2003/0206762 A1 *	11/2003	Hwang et al. ....	400/693
D420,663 S *	2/2000	Goldenberg et al. ....	D14/138	2004/0004642 A1 *	1/2004	Koike et al. ....	347/5
D433,443 S *	11/2000	Ito et al. ....	D18/55	2004/0067089 A1 *	4/2004	Tanaami et al. ....	400/693
6,178,085 B1	1/2001	Leung					
D439,607 S *	3/2001	Inoue et al. ....	D18/54				

\* cited by examiner

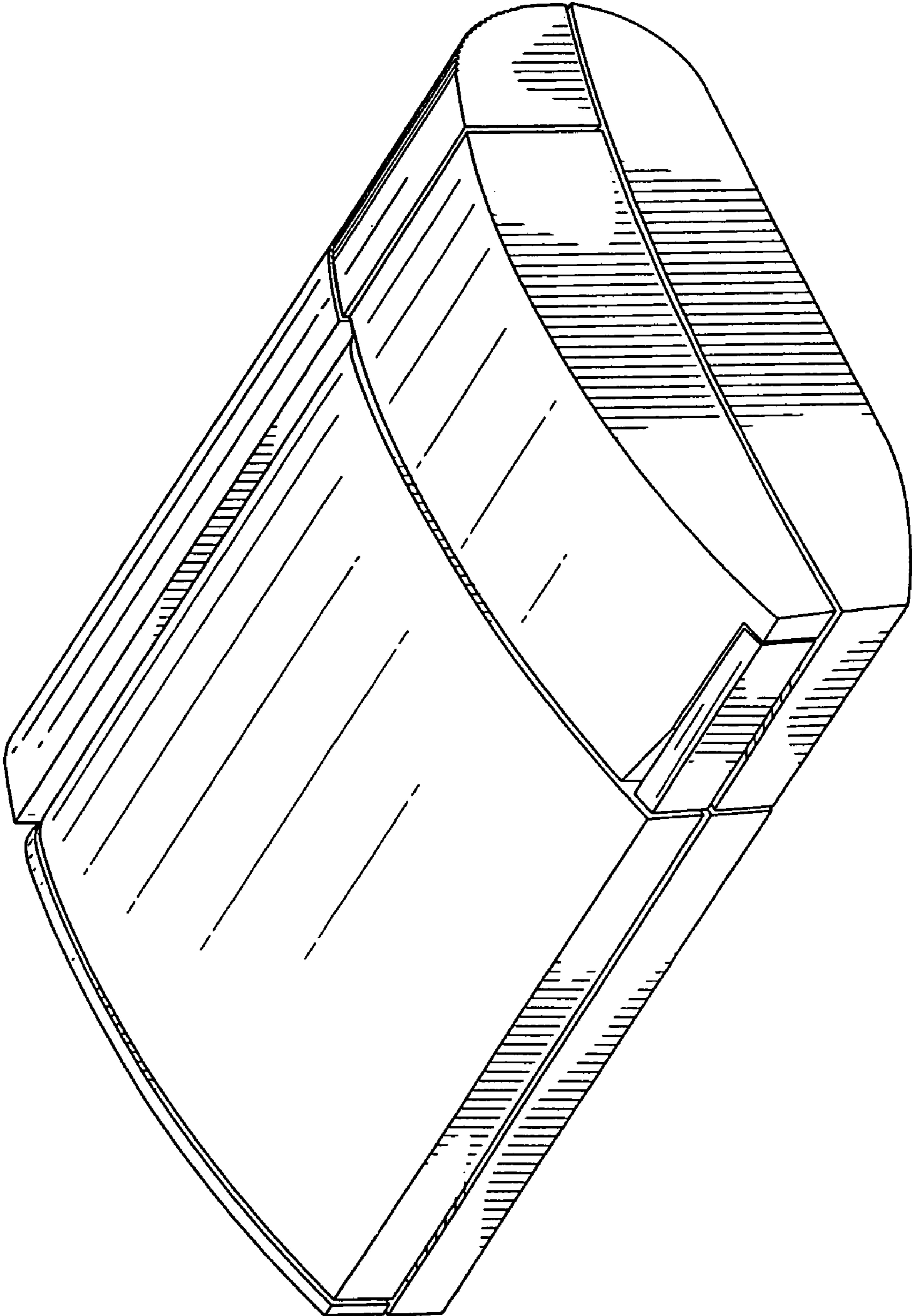
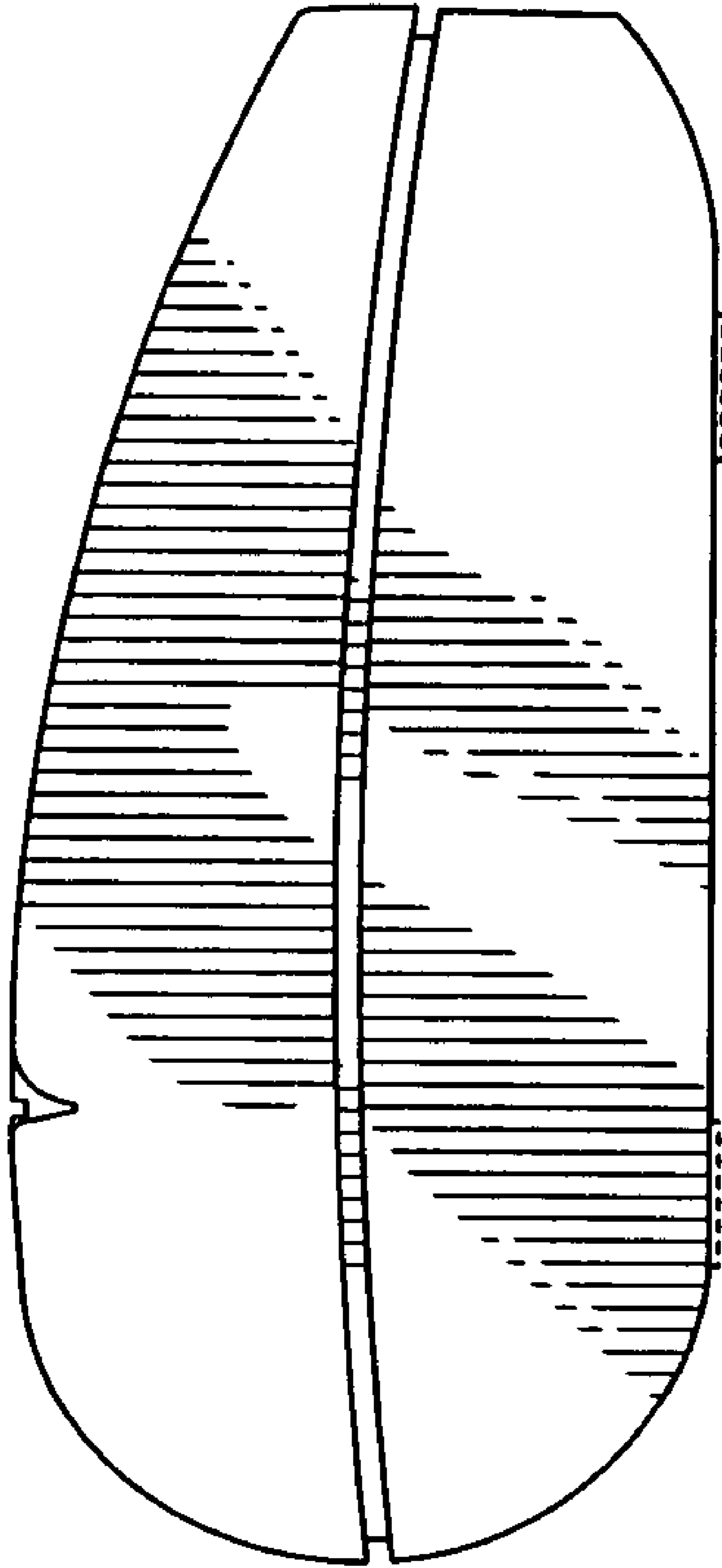
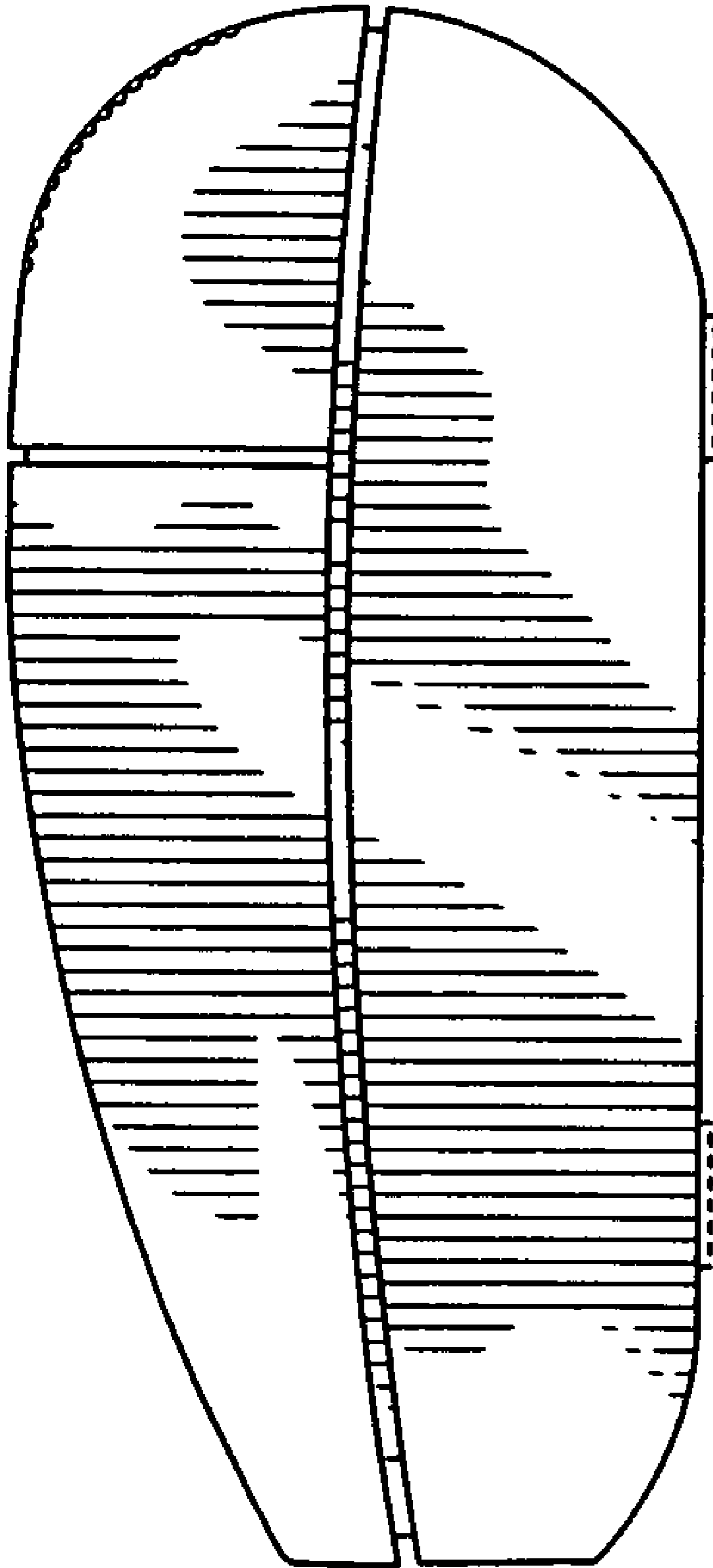


FIG. 1



**FIG. 2**



**FIG. 3**

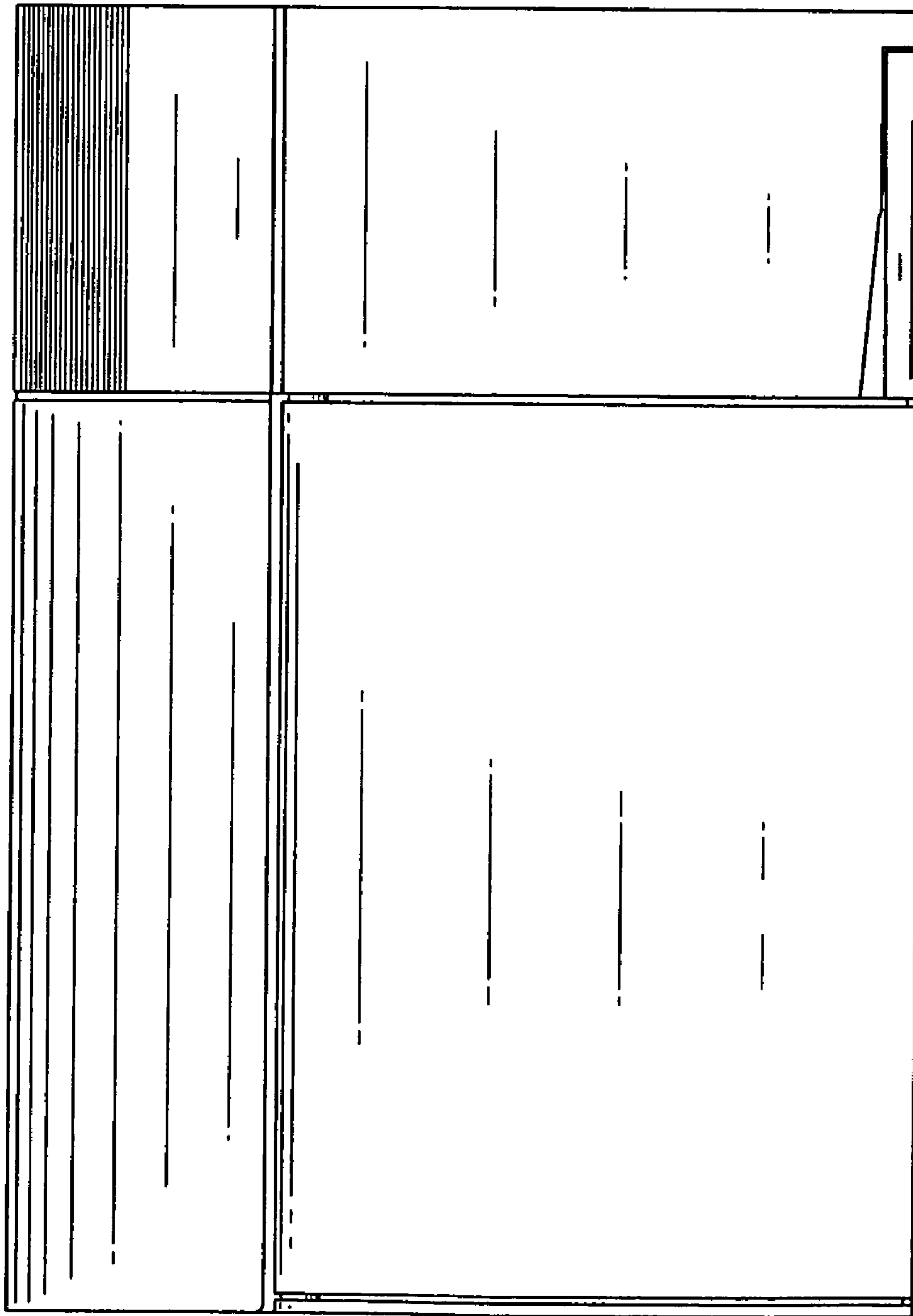
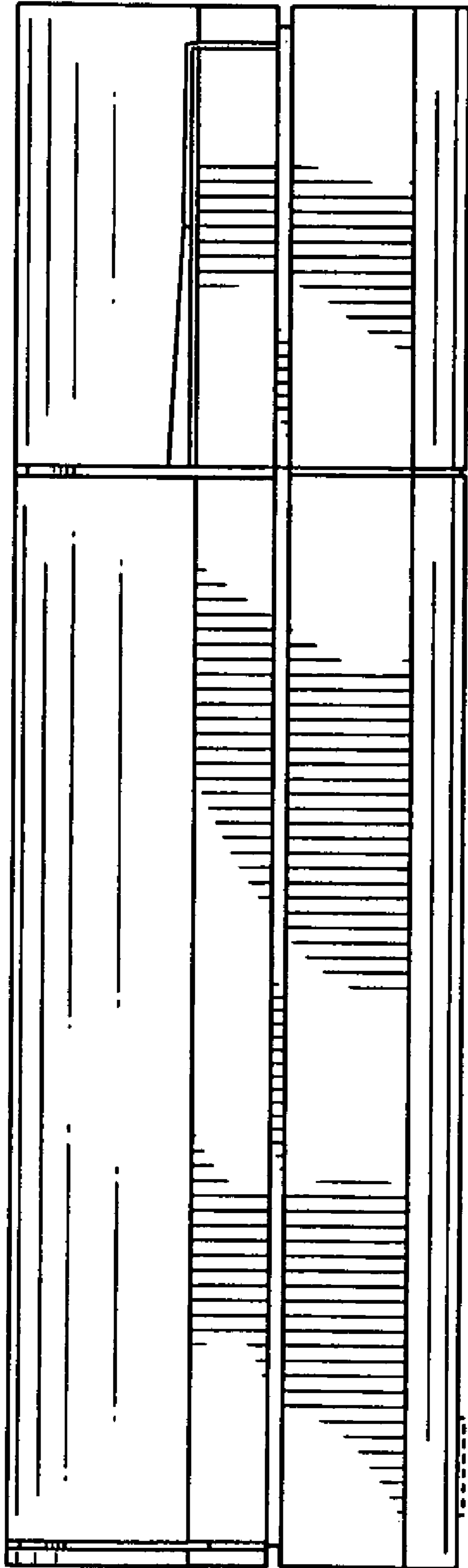
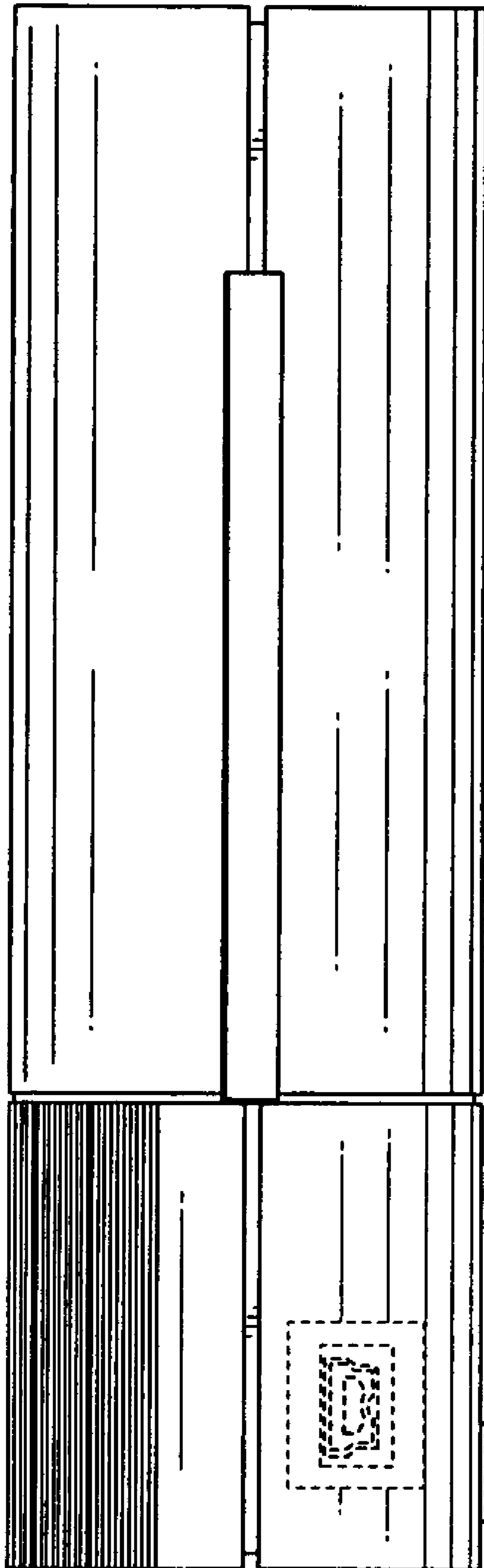


FIG. 4



**FIG. 5**



**FIG. 6**



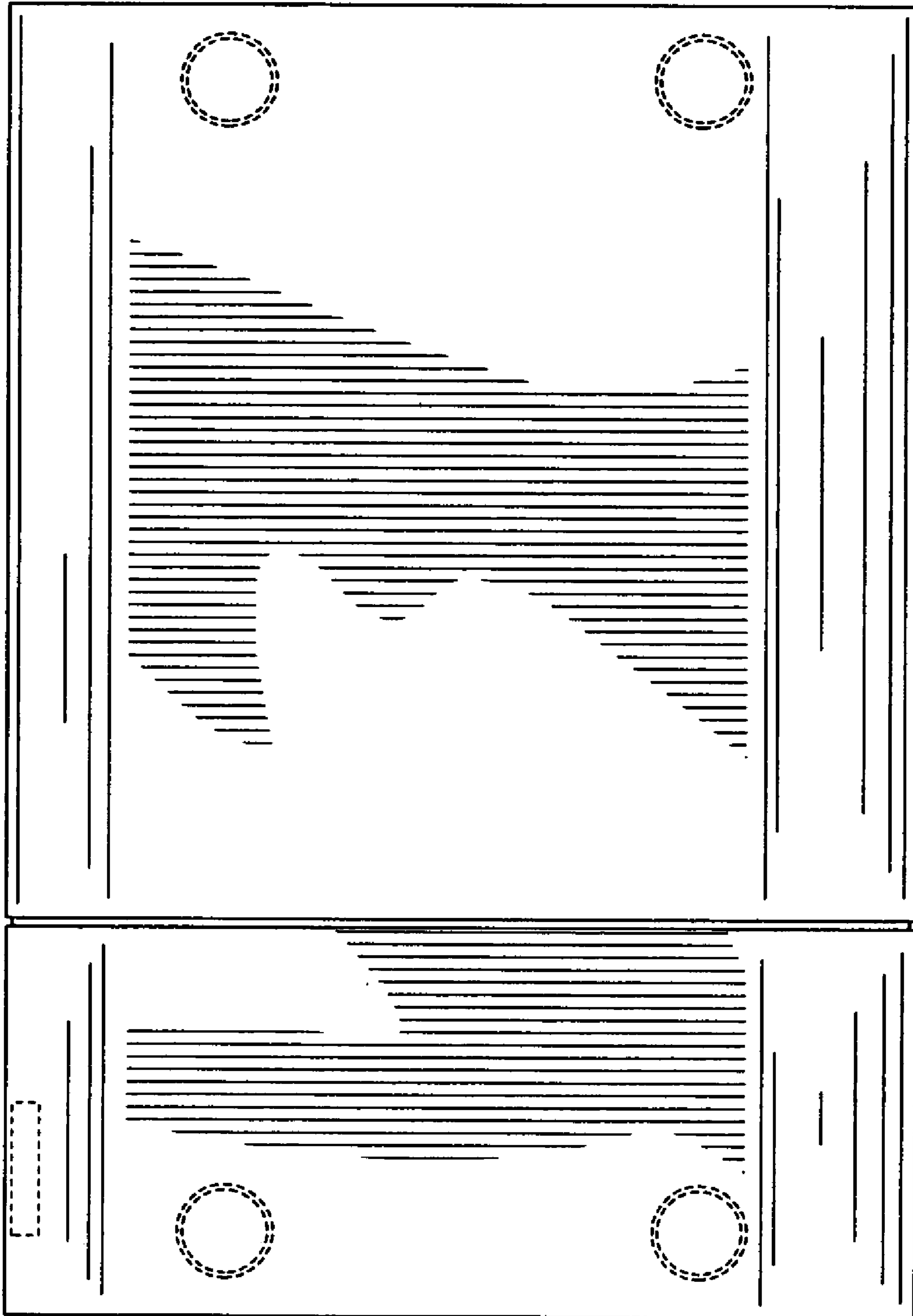


FIG. 7

