



US00D564518S

(12) **United States Design Patent**  
**Vandaele et al.**

(10) **Patent No.:** **US D564,518 S**  
(45) **Date of Patent:** **\*\* Mar. 18, 2008**

(54) **DATA PROCESSING READER**

(75) Inventors: **Mathieu Vandaele**,  
Charbonnieres-les-Varennnes (FR);  
**Fabien Chatignoux**, Mozac (FR)

(73) Assignee: **Michelin Recherche et Technique**  
**S.A.**, Granges-Paccot (CH)

(\*\*) Term: **14 Years**

(21) Appl. No.: **29/259,888**

(22) Filed: **May 18, 2006**

(51) **LOC (8) Cl.** ..... **14-02**

(52) **U.S. Cl.** ..... **D14/420; D8/230**

(58) **Field of Classification Search** ..... D14/430,  
D14/431; 235/472.02, 375, 462.46, 462.47;  
D26/37, 45, 50; D10/47; 324/327, 326,  
324/329, 262; 156/110.1; 342/44; 343/873,  
343/793, 805, 806, 900, 901; 152/152.1,  
152/526, 548, 539; 340/448, 539.1, 425.5,  
340/447, 442, 445, 446, 572.5, 10.6, 552,  
340/10.34, 825.72, 825.54, 825.69; 73/146,  
73/146.85, 146.8

See application file for complete search history.

(56) **References Cited**

**U.S. PATENT DOCUMENTS**

D215,618 S *	10/1969	MacCotter	.....	D10/46
D218,705 S *	9/1970	Doss	.....	D10/47
3,662,255 A *	5/1972	Garrett	.....	324/328
D224,441 S *	7/1972	Gardiner	.....	D10/47
4,323,847 A *	4/1982	Karbowski	.....	324/327
4,540,943 A *	9/1985	Akers	.....	324/326
4,911,217 A *	3/1990	Dunn et al.	.....	152/152.1
5,262,772 A *	11/1993	Urbas et al.	.....	340/10.6
D355,903 S *	2/1995	Pollack et al.	.....	D14/430
5,825,298 A *	10/1998	Walter	.....	340/825.49
6,257,289 B1 *	7/2001	Tomita et al.	.....	152/152.1
2005/0062476 A1 *	3/2005	Stamatescu et al.	.....	324/327

**FOREIGN PATENT DOCUMENTS**

JP 2000198334 A \* 7/2000

\* cited by examiner

*Primary Examiner*—Melanie Tung

*Assistant Examiner*—Susan Moon Lee

(74) *Attorney, Agent, or Firm*—Buchanan Ingersoll & Rooney PC

(57) **CLAIM**

The ornamental design for a data processing reader, as shown and described.

**DESCRIPTION**

FIG. 1 is a top plan view of a data processing reader in a collapsed, folded condition, showing our new design.

FIG. 2 is a top perspective view of the reader shown in FIG. 1.

FIG. 3 is a side elevational view of the reader shown in FIG. 1, it being understood that the opposite side is a mirror image thereof.

FIG. 4 is a bottom plan view of FIG. 1.

FIG. 5 is a front elevational view of FIG. 1.

FIG. 6 is a rear elevational view of FIG. 1.

FIG. 7 is a top plan view of the reader shown in FIG. 1, with a handle thereof in an unfolded condition.

FIG. 8 is a bottom perspective view of the reader shown in FIG. 7.

FIG. 9 is a side elevational view of the reader shown in FIG. 7 after being turned by 180°, with the opposite side as a mirror image thereof.

FIG. 10 is a bottom plan view of FIG. 7.

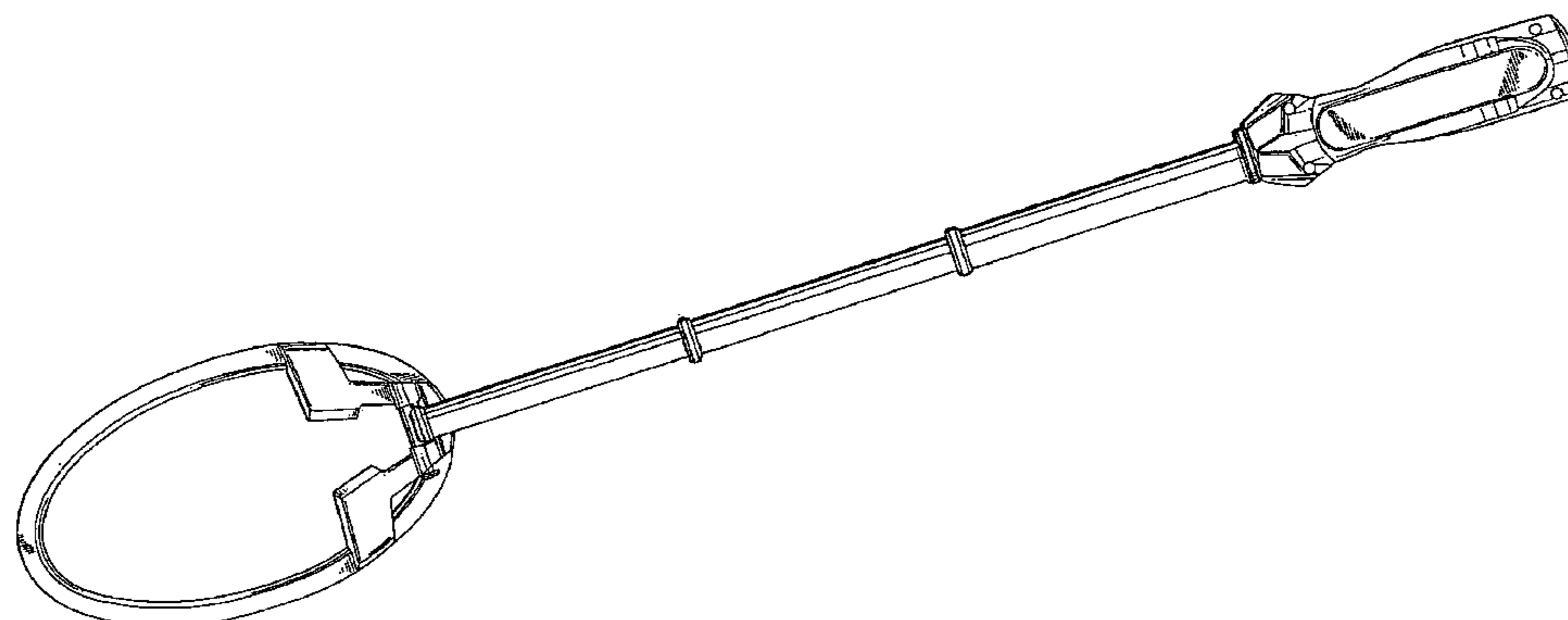
FIG. 11 is a reduced top plan view of the reader shown in FIG. 7 after the handle has been fully extended from a collapsed position shown in FIG. 7.

FIG. 12 is a reduced side elevational view of the reader shown in FIG. 11 after being turned by 180° with the opposite side being a mirror image thereof.

FIG. 13 is a reduced bottom plan view of FIG. 11; and,

FIG. 14 is a reduced bottom perspective view of the reader shown in FIG. 11.

**1 Claim, 11 Drawing Sheets**



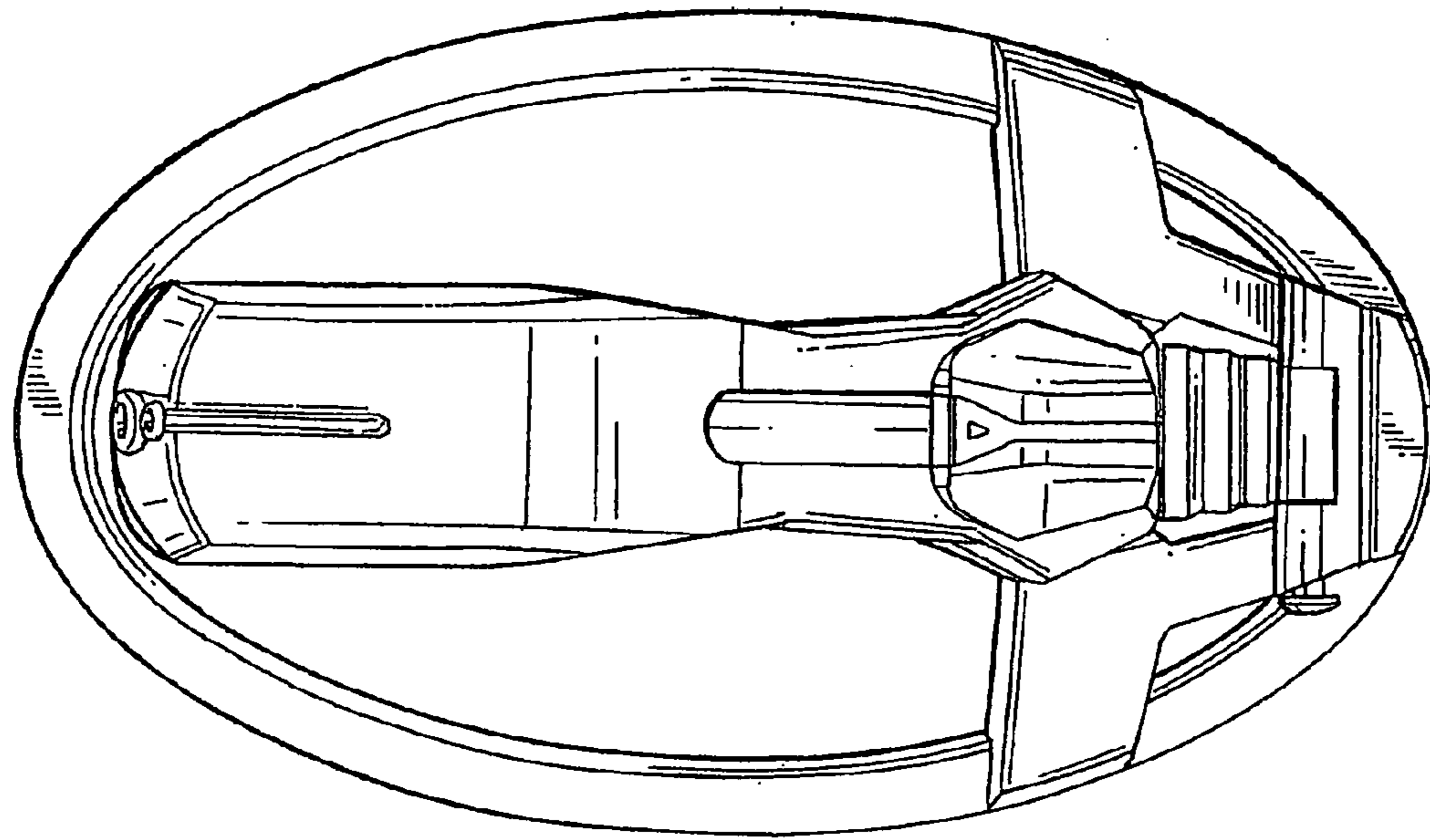


FIG. 1

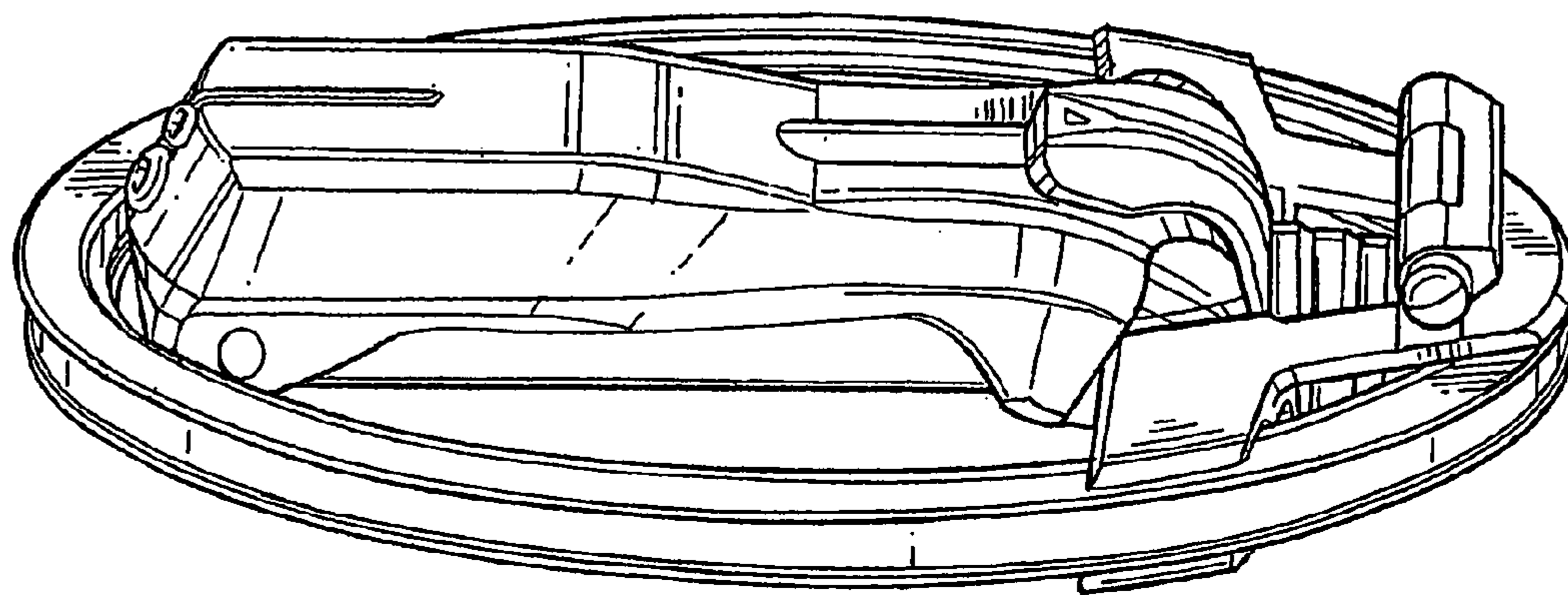


FIG. 2

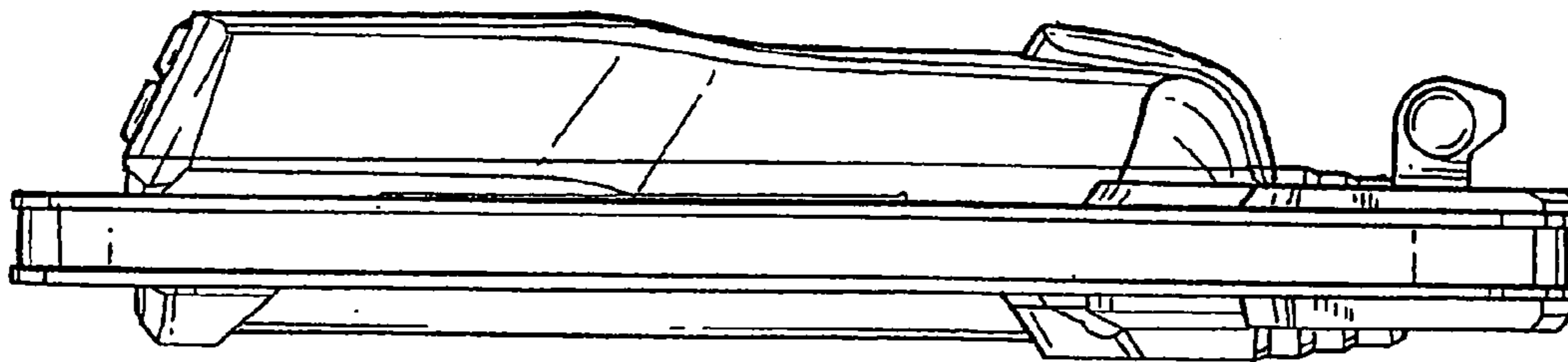


FIG. 3

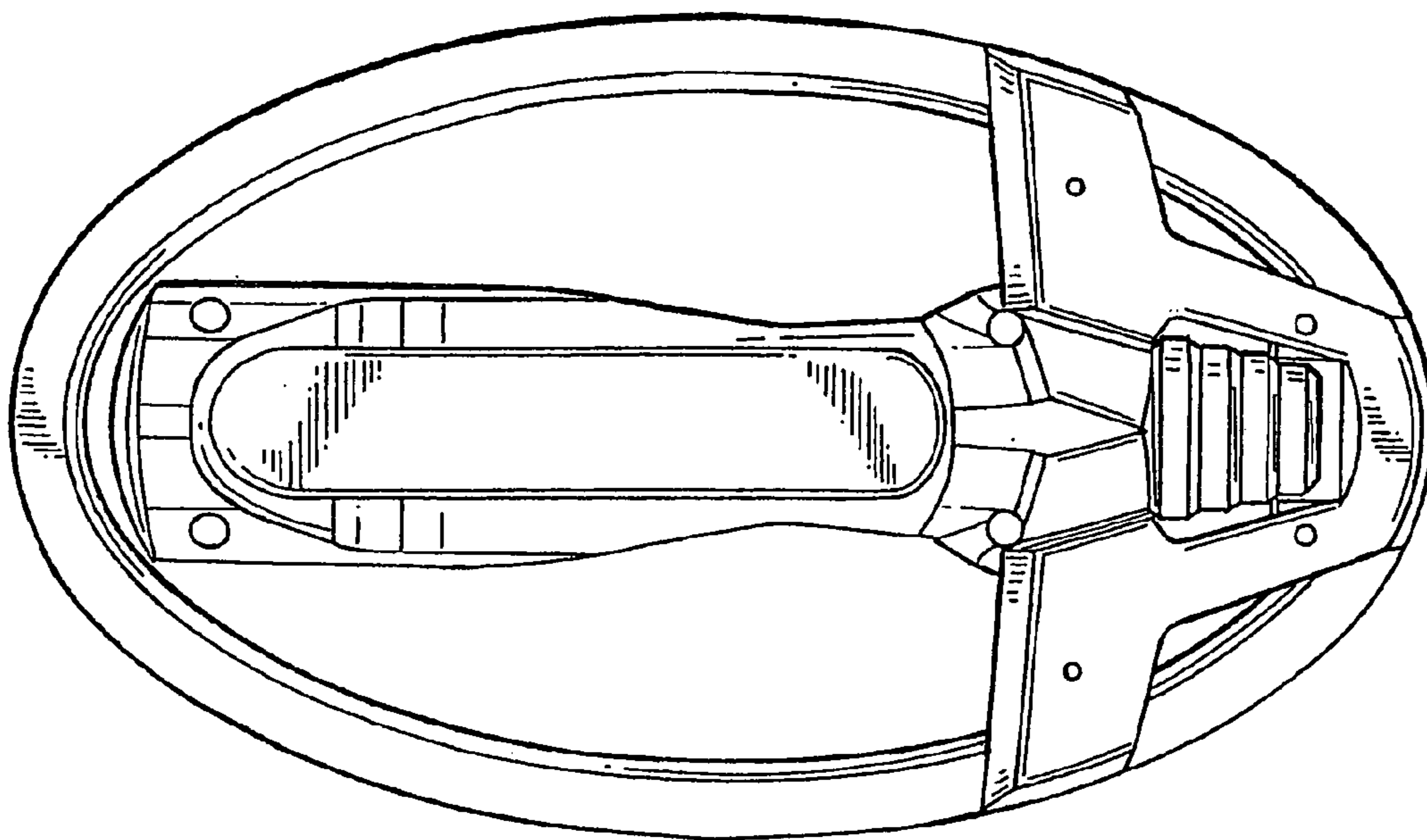


FIG. 4

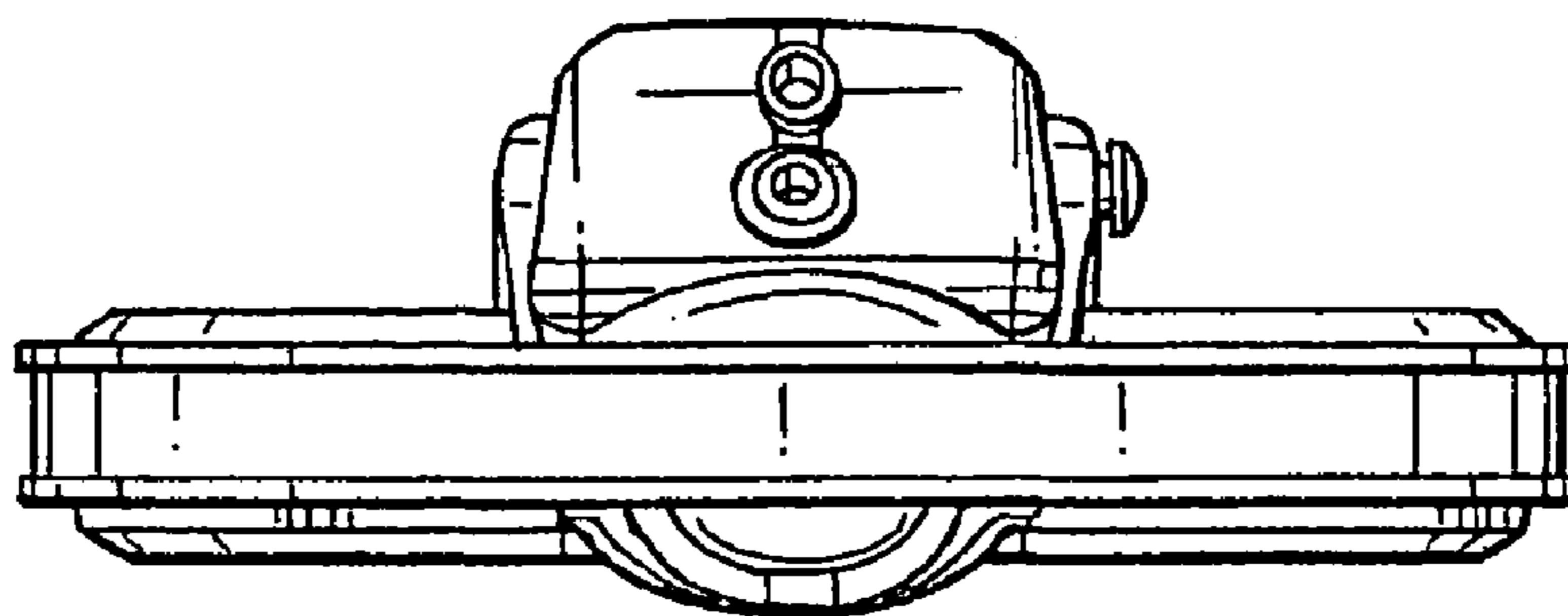


FIG. 5

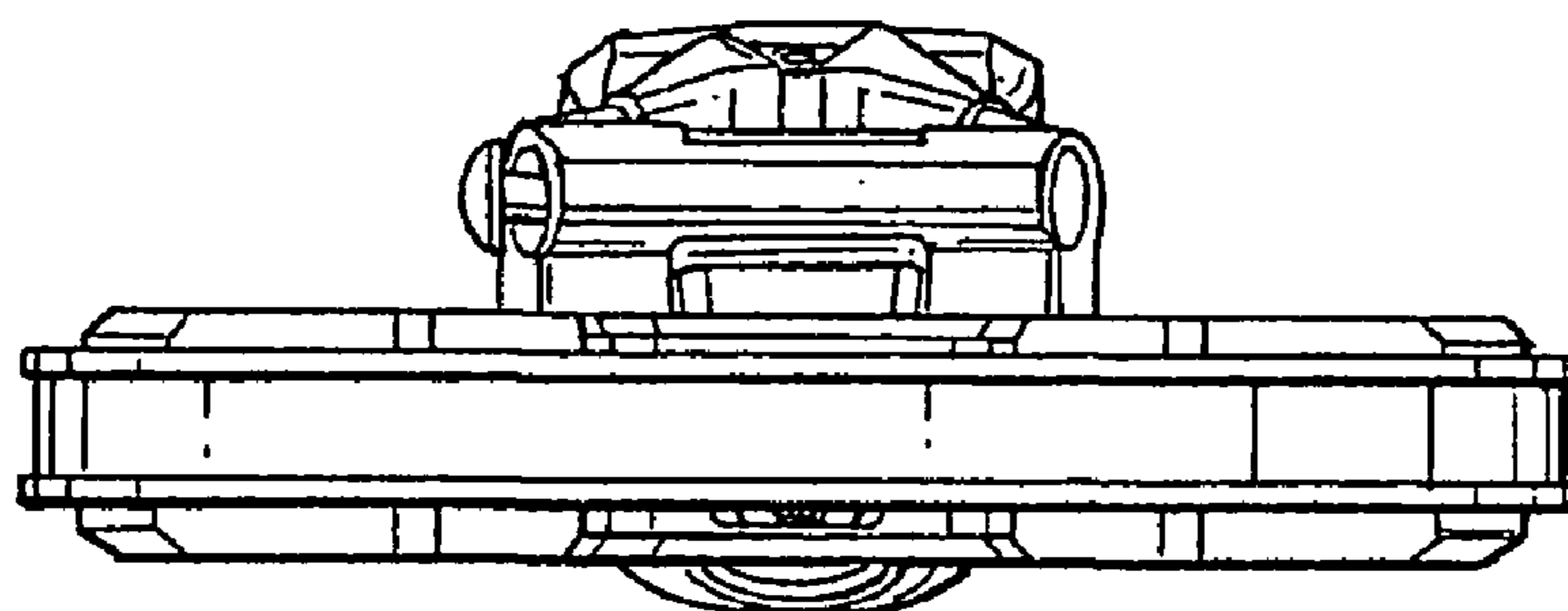


FIG. 6



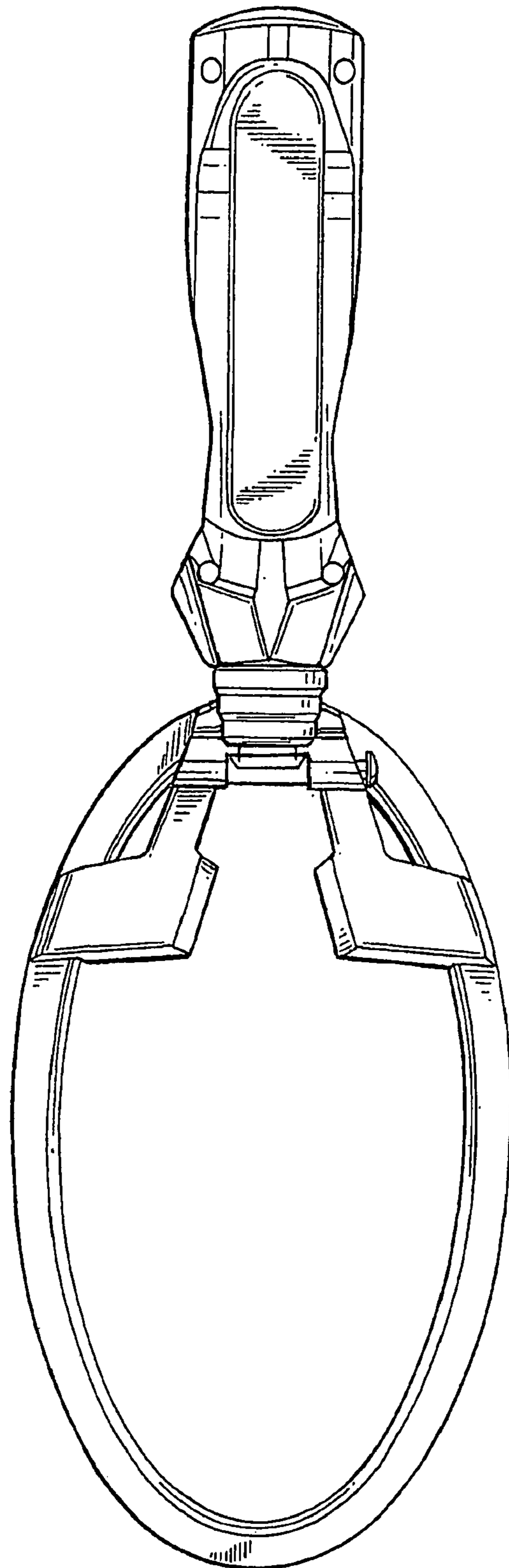


FIG. 7

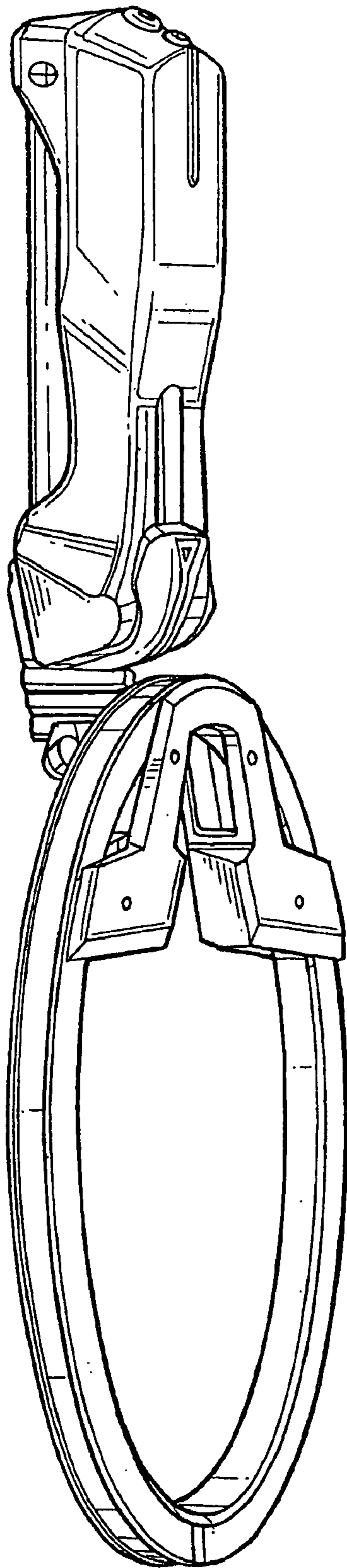


FIG. 8

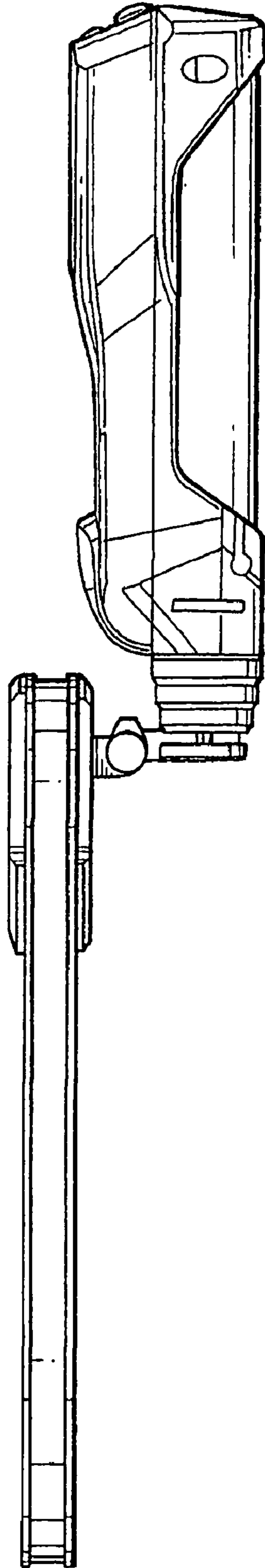


FIG. 9

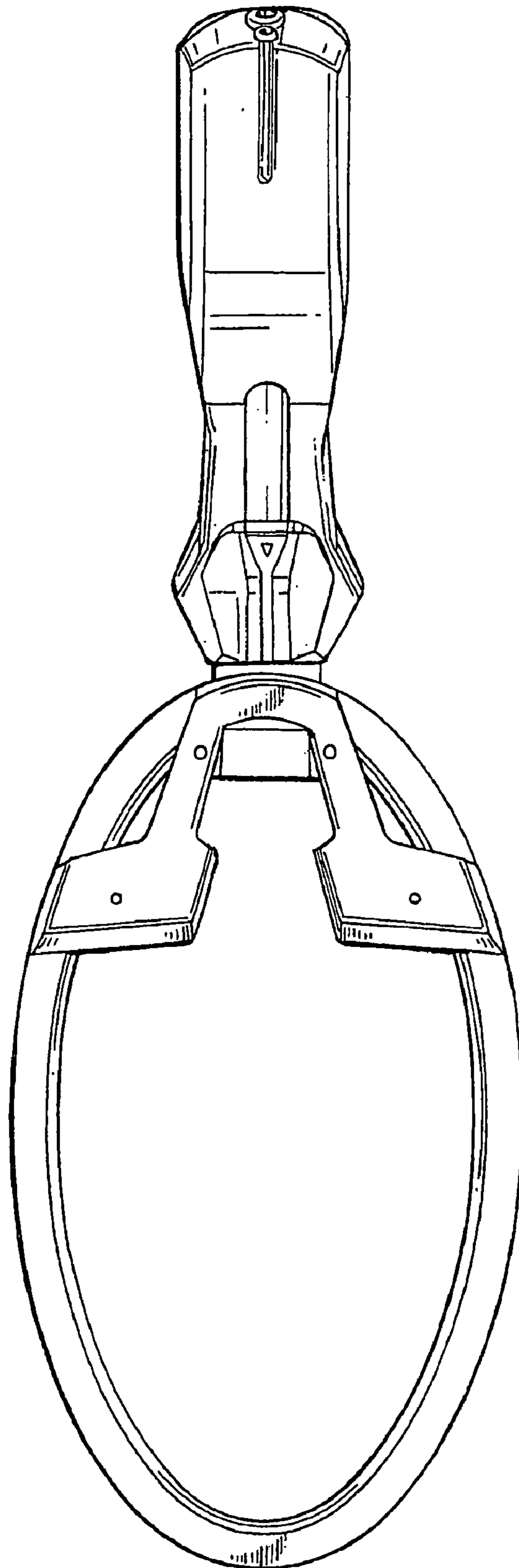


FIG. 10



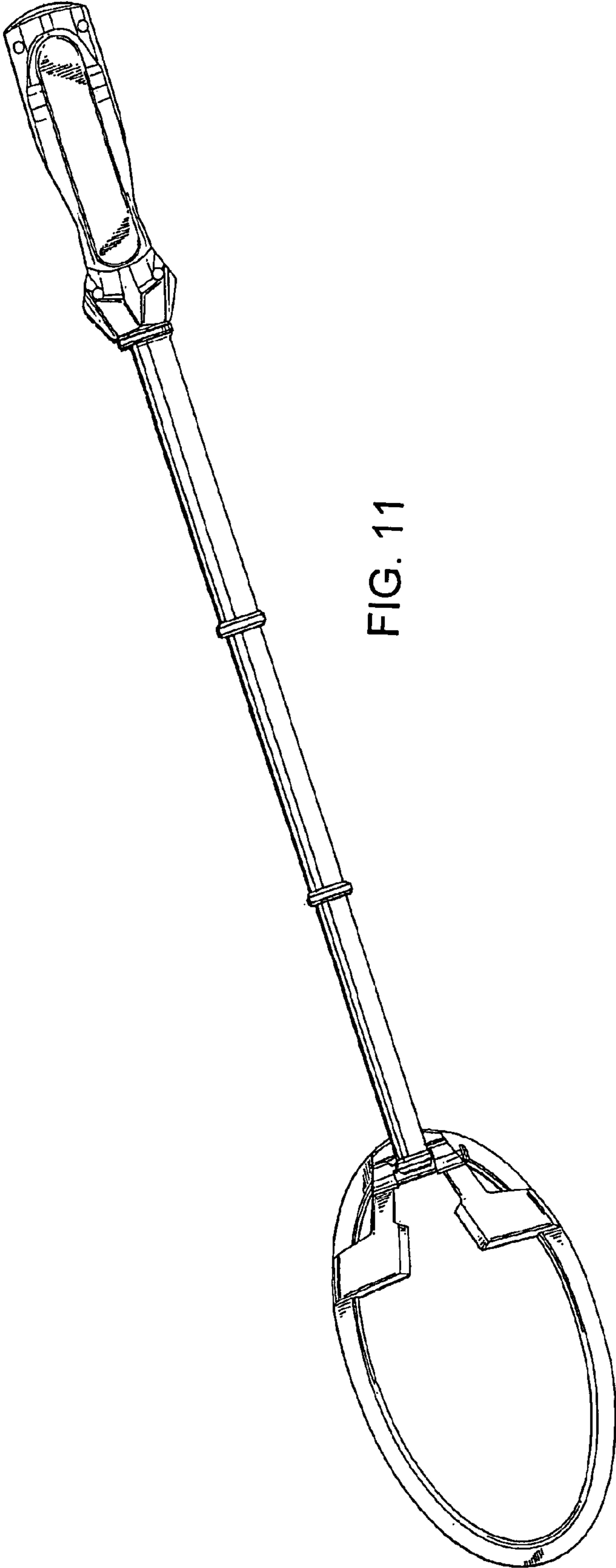


FIG. 11

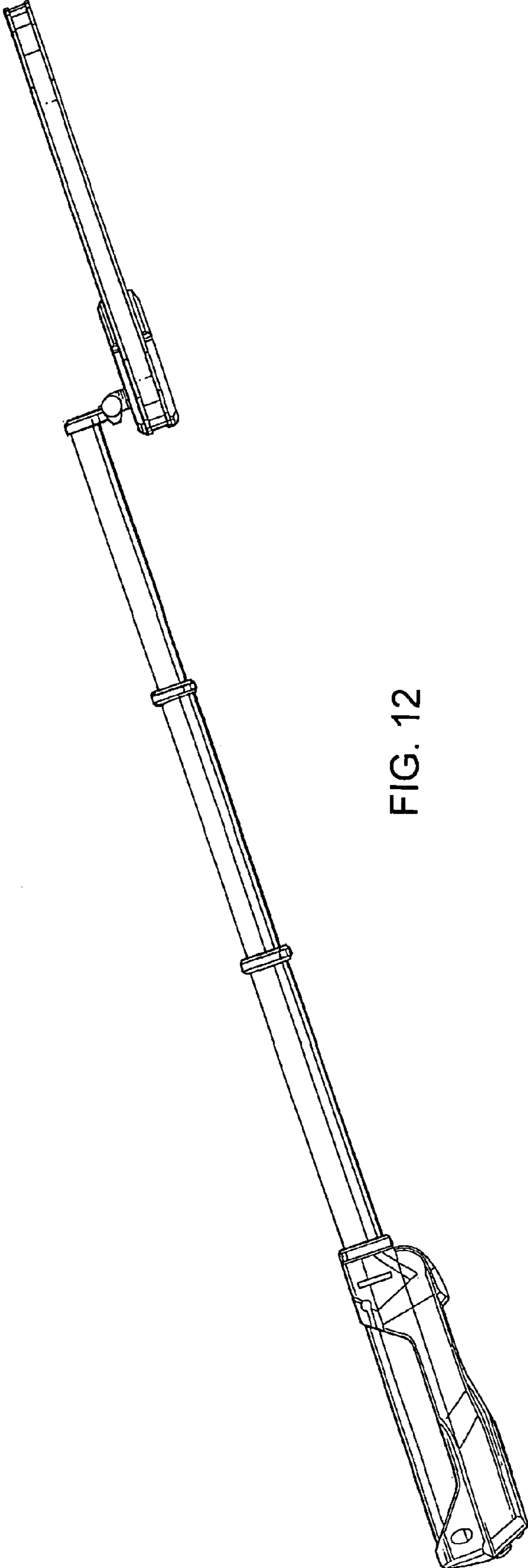


FIG. 12

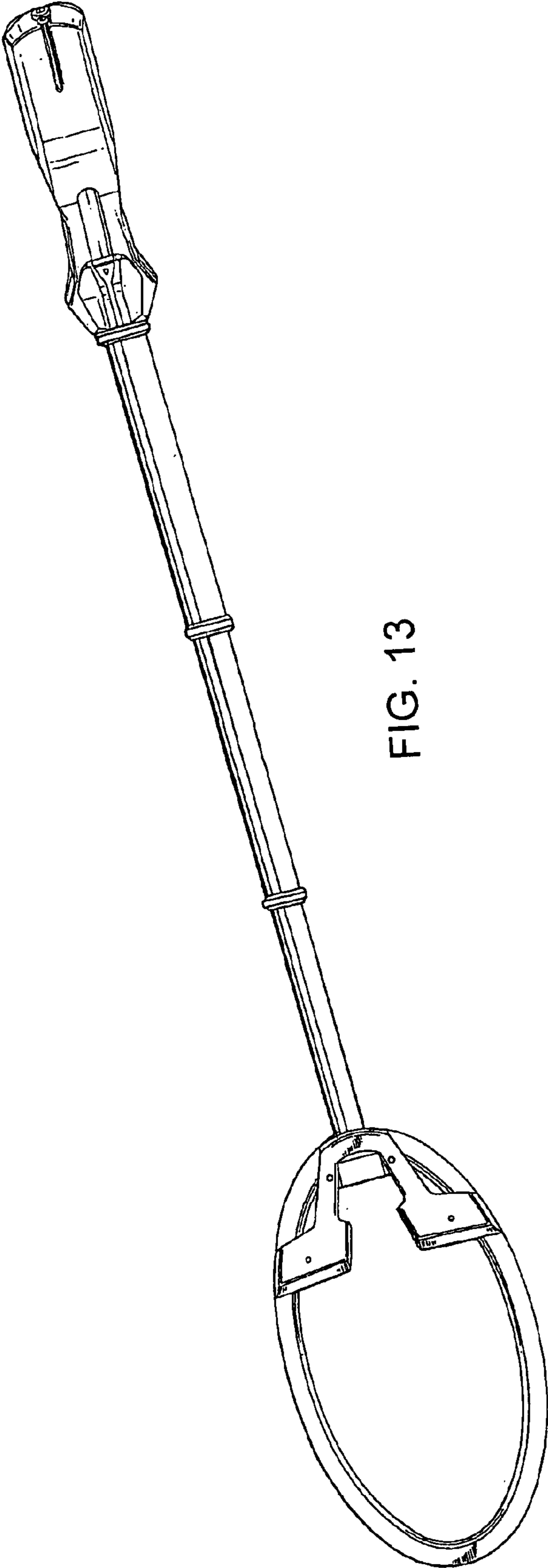


FIG. 13

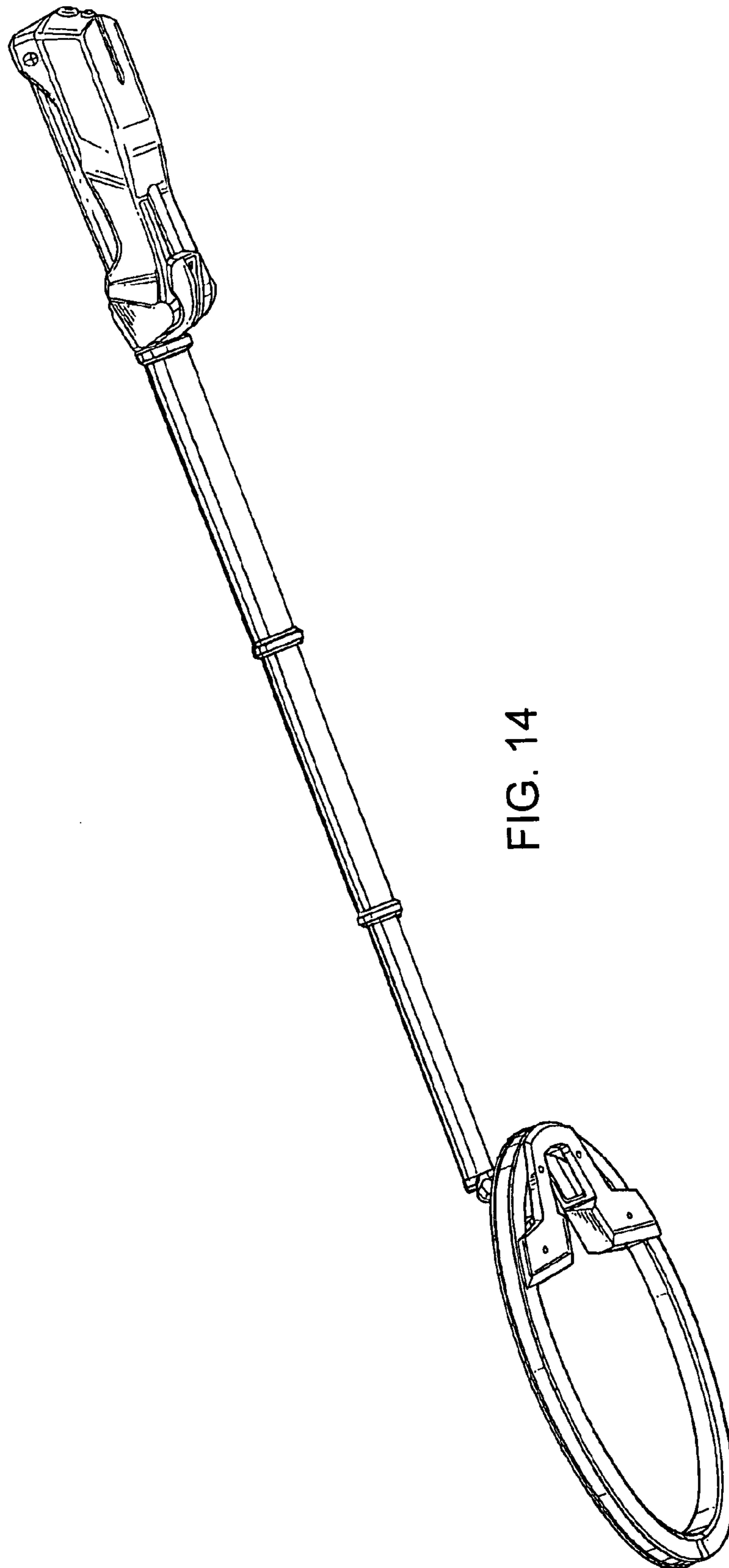


FIG. 14