



US00D564516S

(12) **United States Design Patent**
Chatterjee et al.

(10) **Patent No.:** **US D564,516 S**

(45) **Date of Patent:** **** Mar. 18, 2008**

(54) **PORTION OF AN ELECTRONIC MOUSE**

D504,133 S * 4/2005 Canavan et al. D14/402
D514,106 S * 1/2006 Pan D14/408
D528,118 S * 9/2006 Canavan et al. D14/407

(75) Inventors: **Monique Chatterjee**, Seattle, WA (US);
Allen M. Han, Snoqualmie, WA (US)

* cited by examiner

(73) Assignee: **Microsoft Corporation**, Redmond, WA (US)

Primary Examiner—Pamela J. Burgess
(74) *Attorney, Agent, or Firm*—Banner & Witcoff, Ltd.

(**) Term: **14 Years**

(57) **CLAIM**

(21) Appl. No.: **29/279,533**

The ornamental design for a portion of an electronic mouse, as shown and described.

(22) Filed: **May 2, 2007**

(51) **LOC (8) Cl.** **14-02**

(52) **U.S. Cl.** **D14/402**

(58) **Field of Classification Search** D14/402–410,
D14/417; 235/472.01; 345/156–157; 365/49;
200/5 A, 5 R, 6 A, 6 R; 273/148 B
See application file for complete search history.

DESCRIPTION

FIG. 1 is a rear perspective view of a portion of an electronic mouse showing our new design;

FIG. 2 is a front perspective view thereof;

FIG. 3 is a front view thereof;

FIG. 4 is a rear view thereof;

FIG. 5 is a left side view thereof;

FIG. 6 is a right side view thereof; and,

FIG. 7 is a top view thereof.

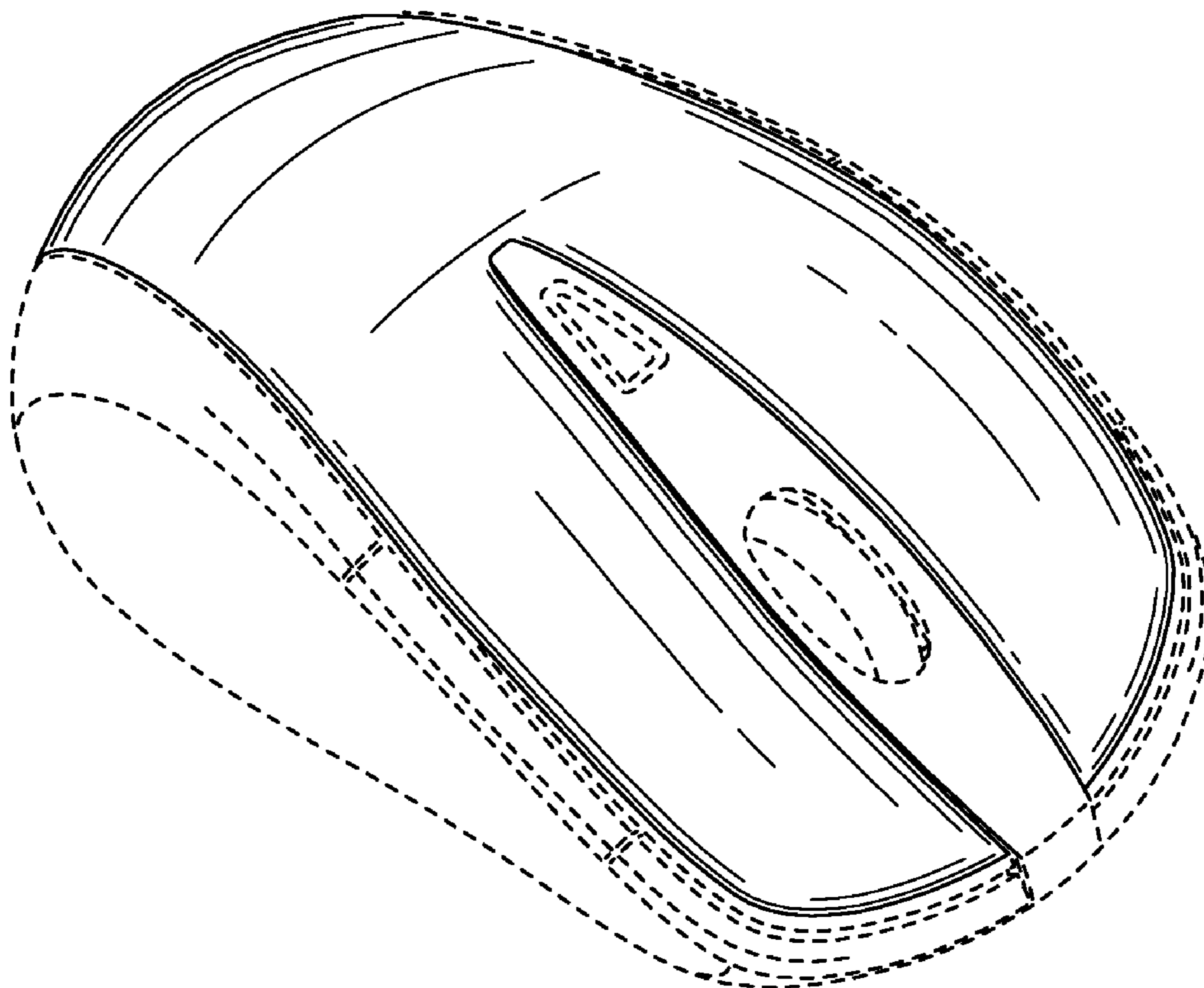
The broken line showing of the remainder of the electronic mouse is for illustrative purposes only and forms no part of the claimed design.

(56) **References Cited**

U.S. PATENT DOCUMENTS

D460,072 S * 7/2002 Sheehan D14/408
D464,652 S * 10/2002 Roh D14/408
D467,925 S * 12/2002 Hu et al. D14/408
D474,769 S * 5/2003 Fisher et al. D14/408
D488,157 S * 4/2004 Fisher D14/408
D491,946 S * 6/2004 Slocombe et al. D14/402

1 Claim, 4 Drawing Sheets



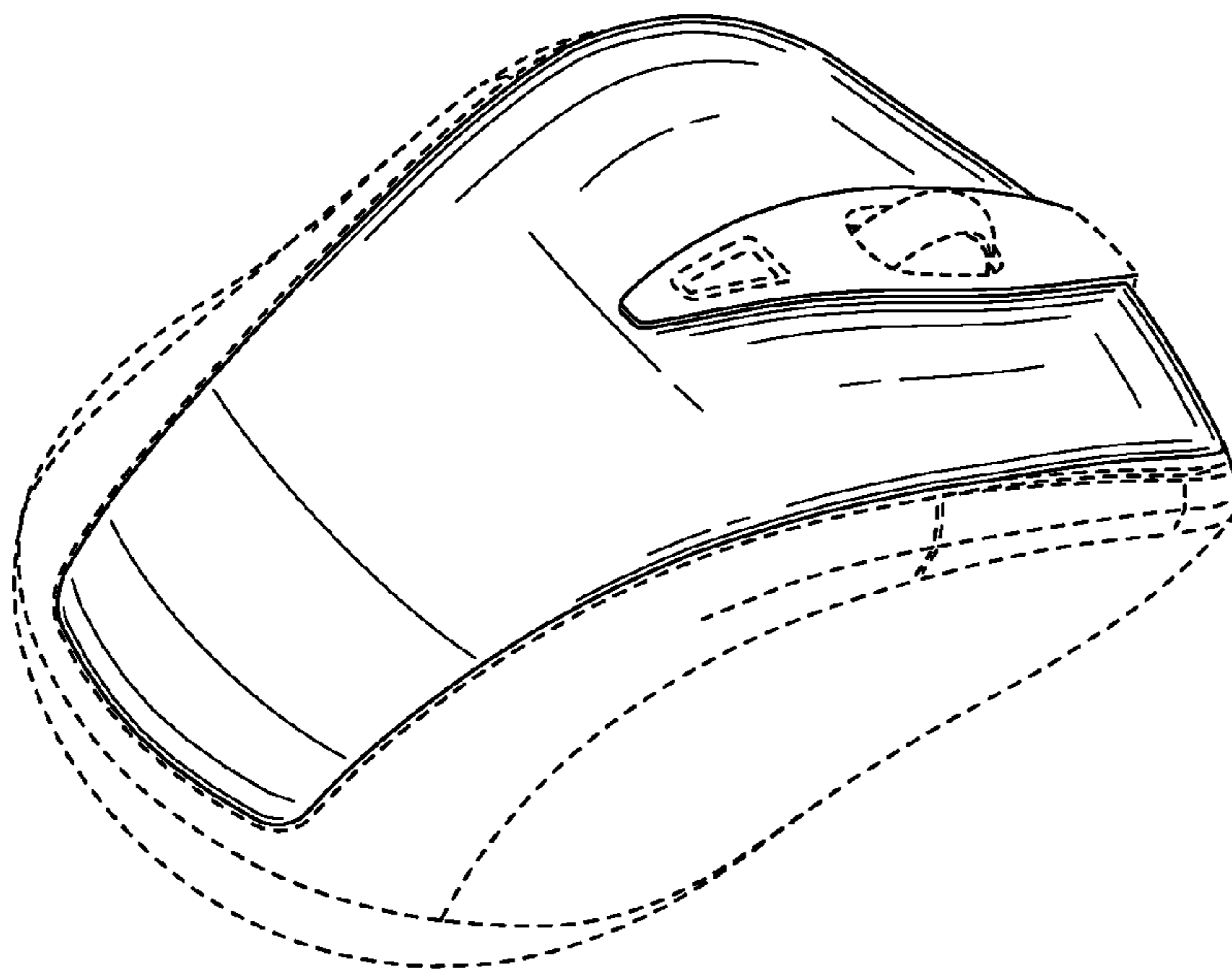


FIG. 1

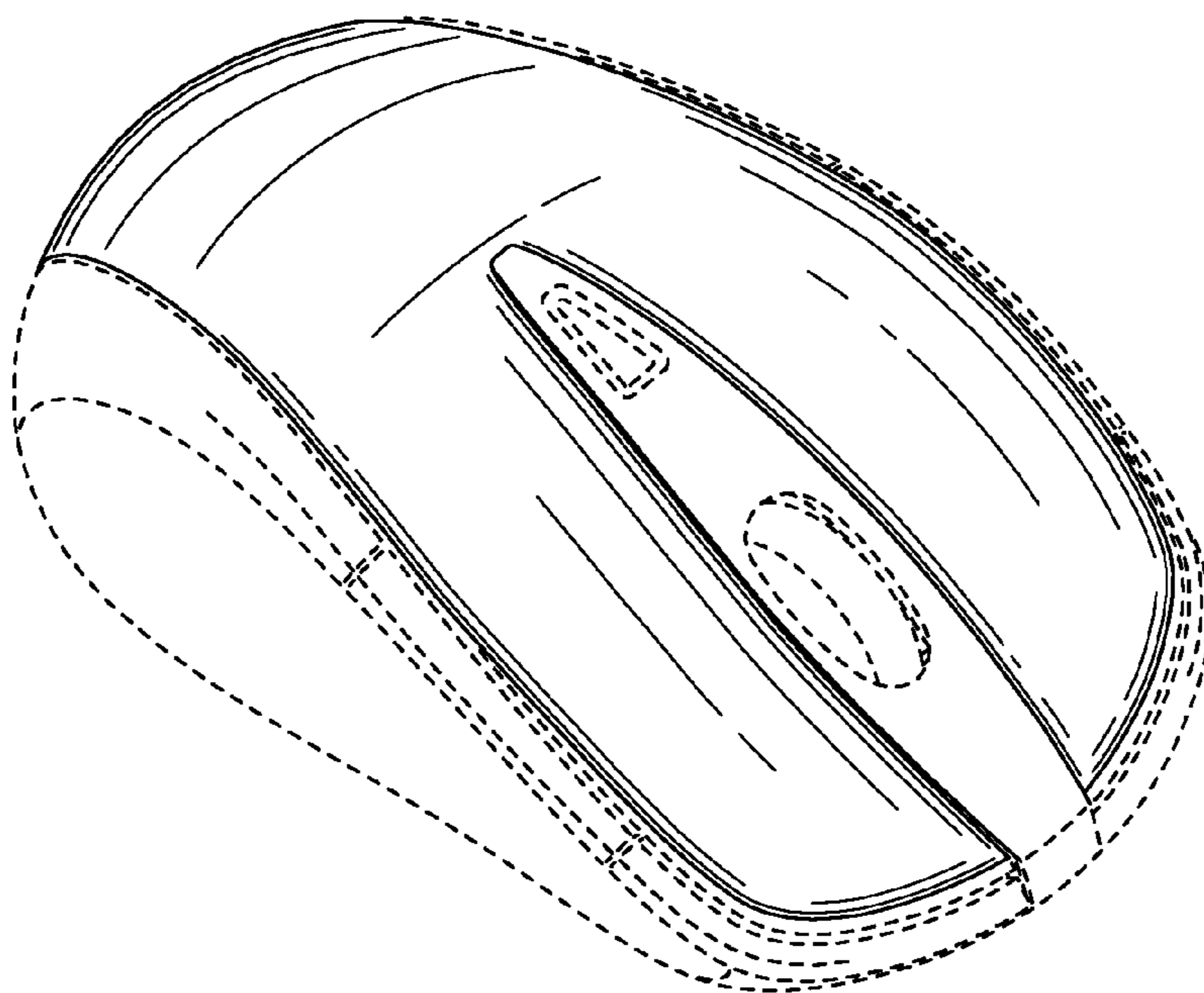


FIG. 2

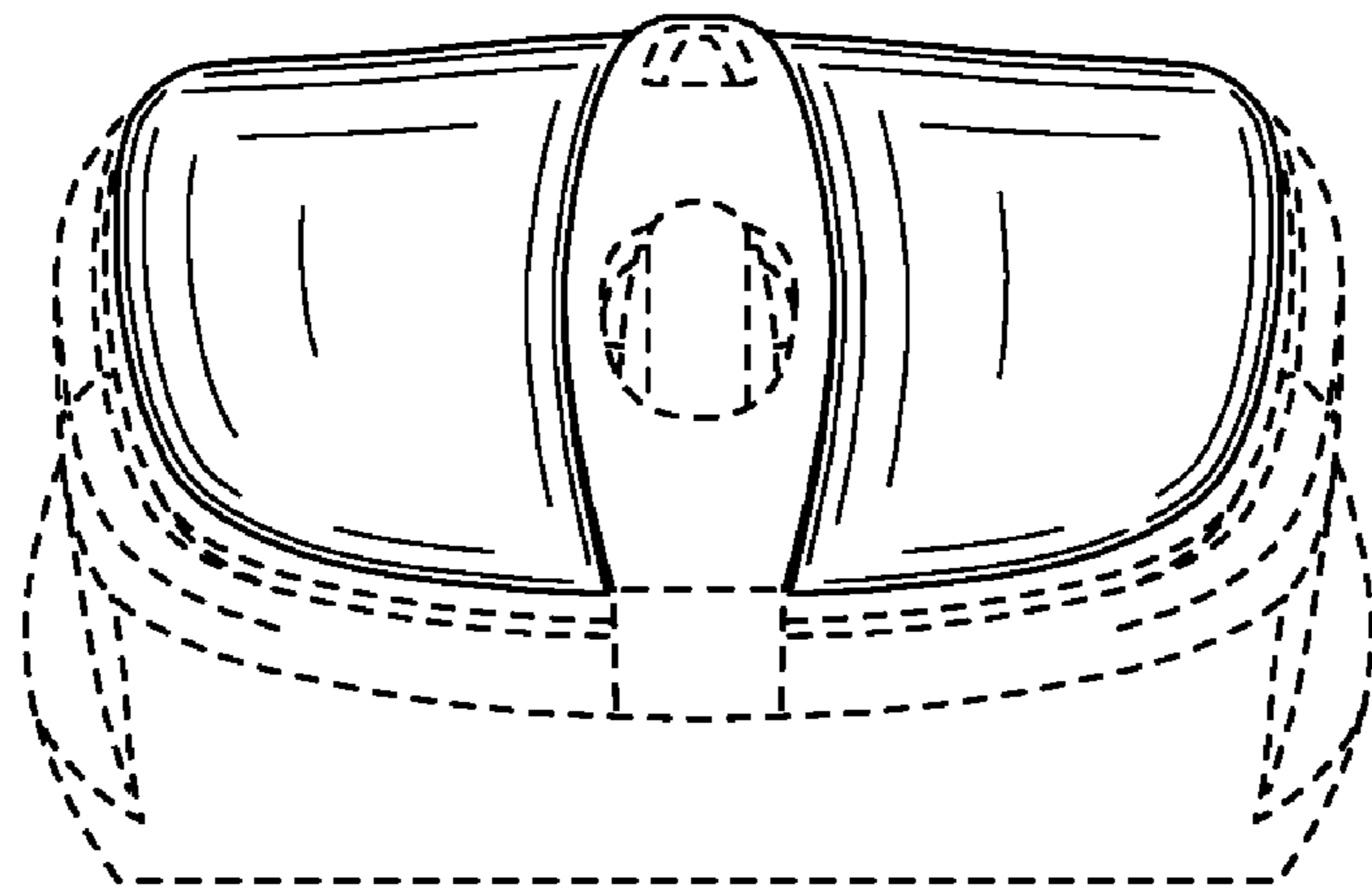


FIG. 3

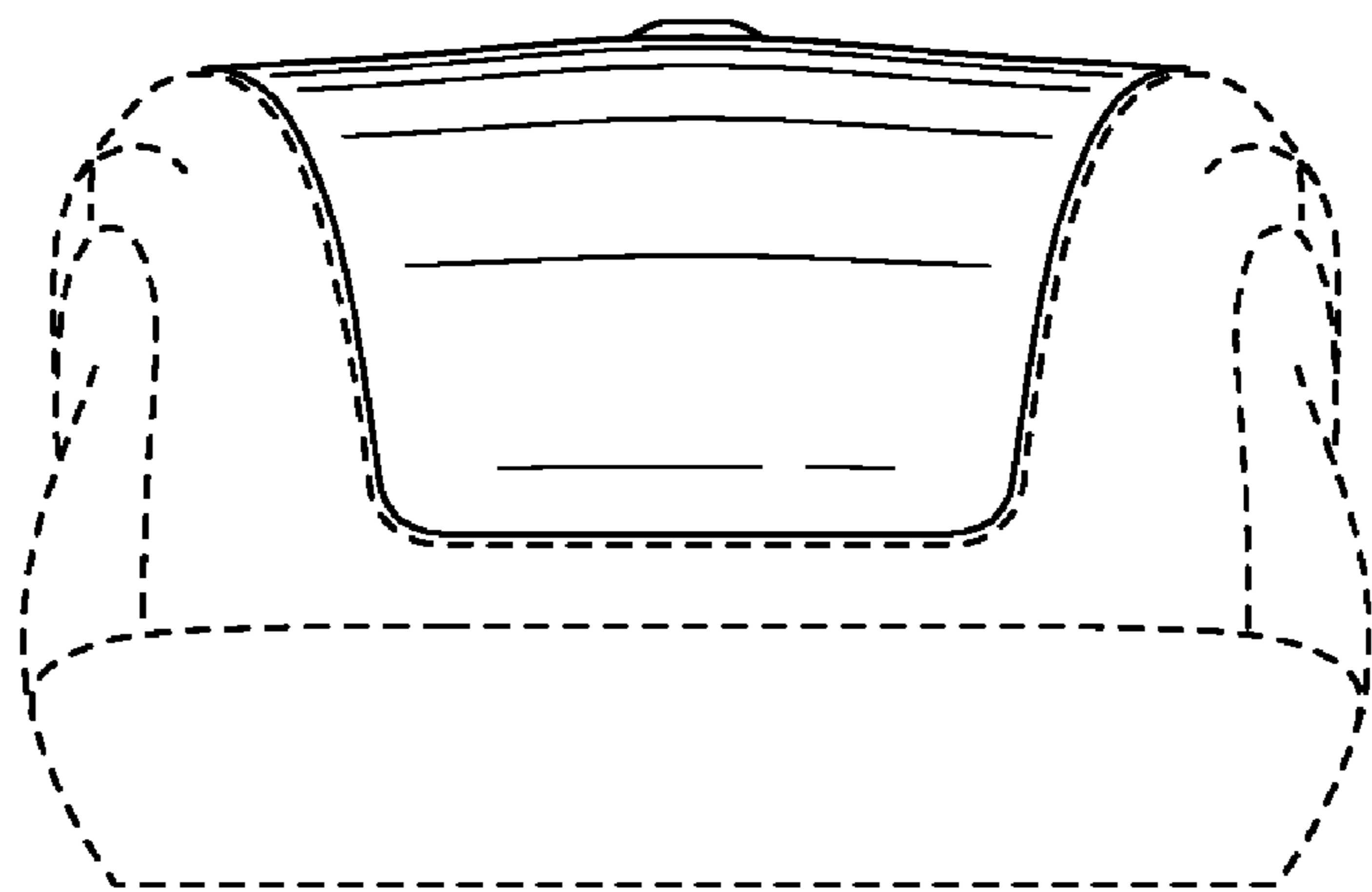


FIG. 4

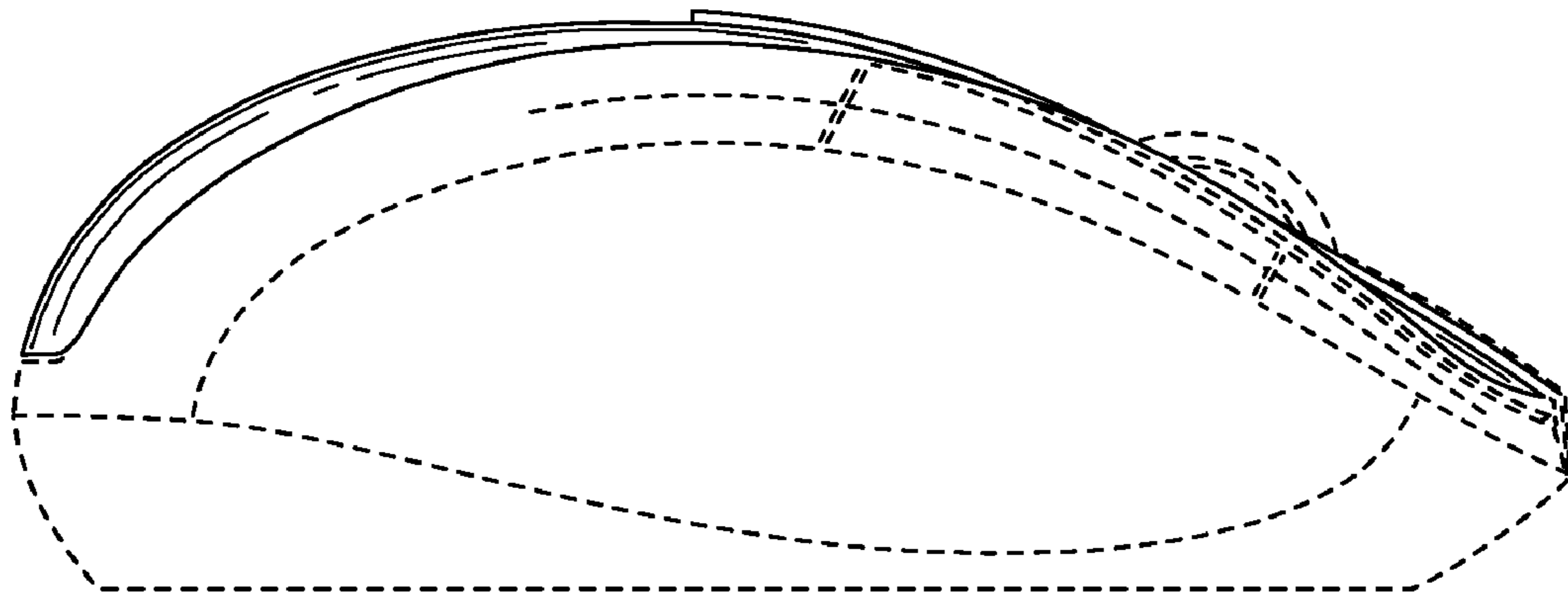


FIG. 5

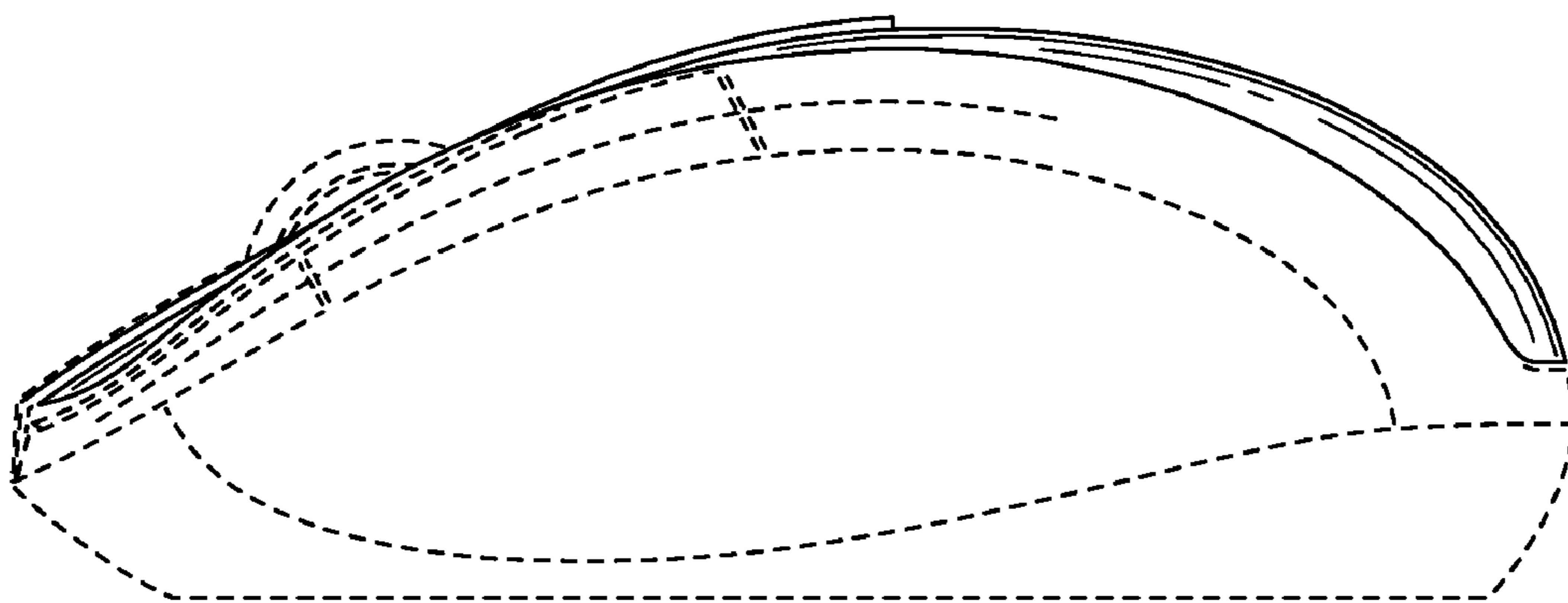


FIG. 6

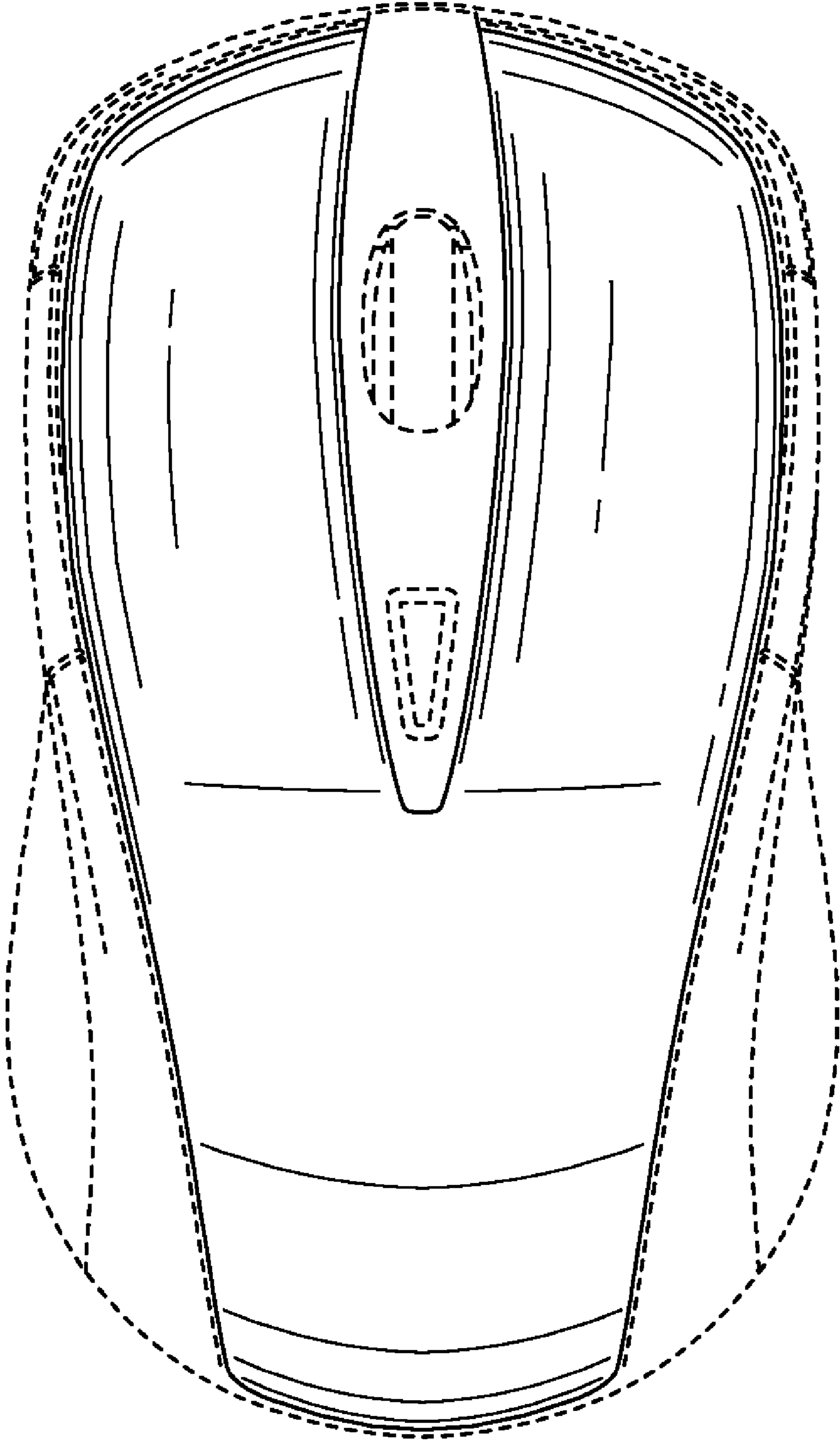


FIG. 7