

US00D564515S

(12) **United States Design Patent**
Chatterjee et al.

(10) **Patent No.:** **US D564,515 S**
(45) **Date of Patent:** **** Mar. 18, 2008**

(54) **PORTION OF AN ELECTRONIC MOUSE**

D528,118 S * 9/2006 Canavan et al. D14/407

(75) Inventors: **Monique Chatterjee**, Seattle, WA (US);
Allen M. Han, Snoqualmie, WA (US)

* cited by examiner

Primary Examiner—Pamela J. Burgess

(73) Assignee: **Microsoft Corporation**, Redmond, WA
(US)

(74) *Attorney, Agent, or Firm*—Banner & Witcoff, Ltd.

(**) Term: **14 Years**

(57) **CLAIM**

(21) Appl. No.: **29/279,532**

The ornamental design for a portion of an electronic mouse,
as shown and described.

(22) Filed: **May 2, 2007**

DESCRIPTION

(51) **LOC (8) Cl.** **14-02**

FIG. 1 is a rear perspective view of a portion of an electronic
mouse showing our new design;

(52) **U.S. Cl.** **D14/402**

FIG. 2 is a front perspective view thereof;

(58) **Field of Classification Search** D14/402–410,
D14/417; 235/472.01; 345/156–157; 365/49;
200/5 A, 5 R, 6 A, 6 R; 273/148 B

FIG. 3 is a front view thereof;

FIG. 4 is a rear view thereof;

See application file for complete search history.

FIG. 5 is a left side view thereof;

FIG. 6 is a right side view thereof; and,

FIG. 7 is a top view thereof.

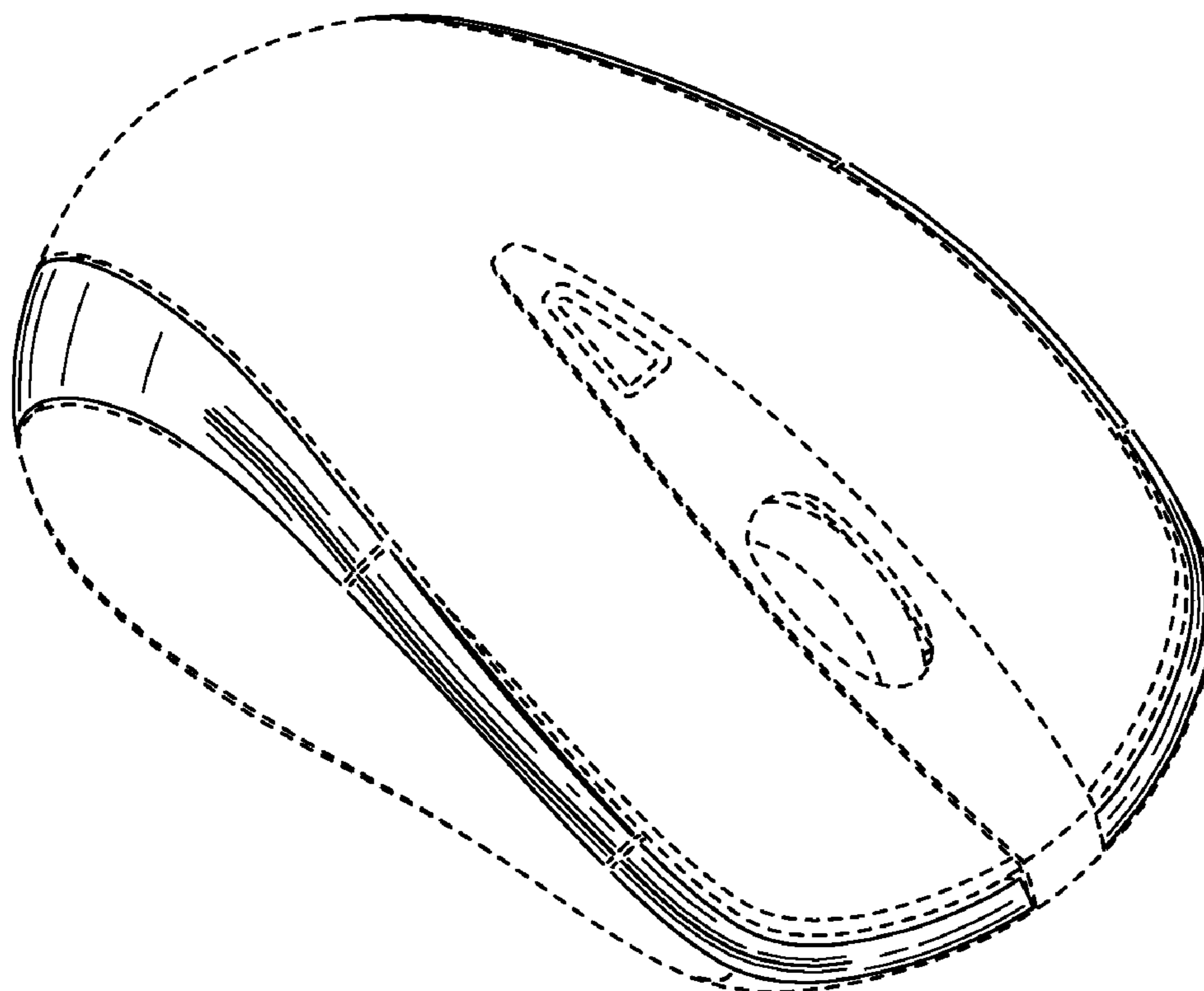
(56) **References Cited**

The broken line showing of various regions and the
unshaded areas therein is for illustrative purposes only and
forms no part of the claimed design. The broken line
showing of the remainder of the electronic mouse is for
illustrative purposes only and forms no part of the claimed
design.

U.S. PATENT DOCUMENTS

D460,072 S *	7/2002	Sheehan	D14/408
D464,652 S *	10/2002	Roh	D14/408
D467,925 S *	12/2002	Hu et al.	D14/408
D474,769 S *	5/2003	Fisher et al.	D14/408
D488,157 S *	4/2004	Fisher	D14/408
D491,946 S *	6/2004	Slocombe et al.	D14/402
D504,133 S *	4/2005	Canavan et al.	D14/402
D514,106 S *	1/2006	Pan	D14/408

1 Claim, 4 Drawing Sheets



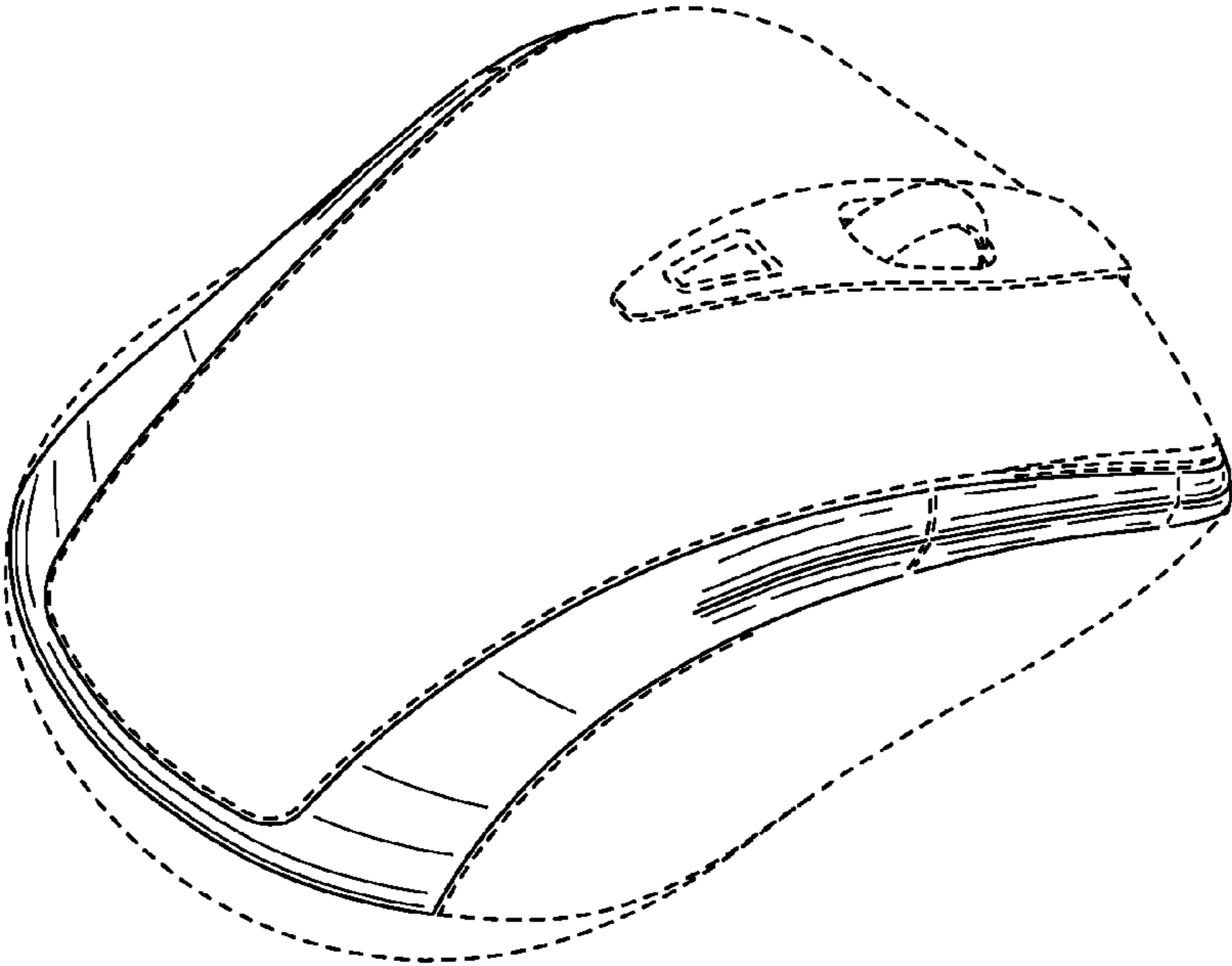


FIG. 1

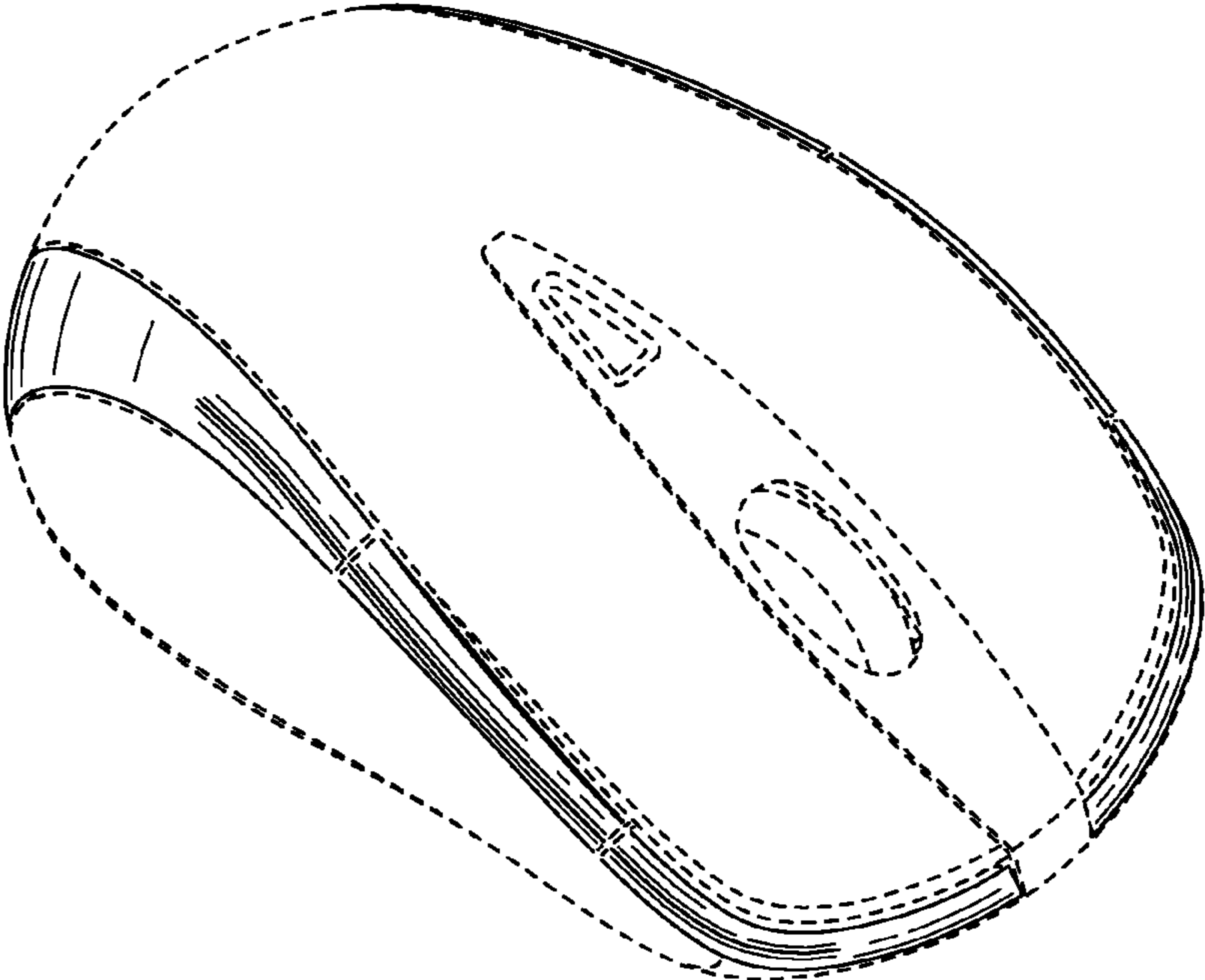


FIG. 2

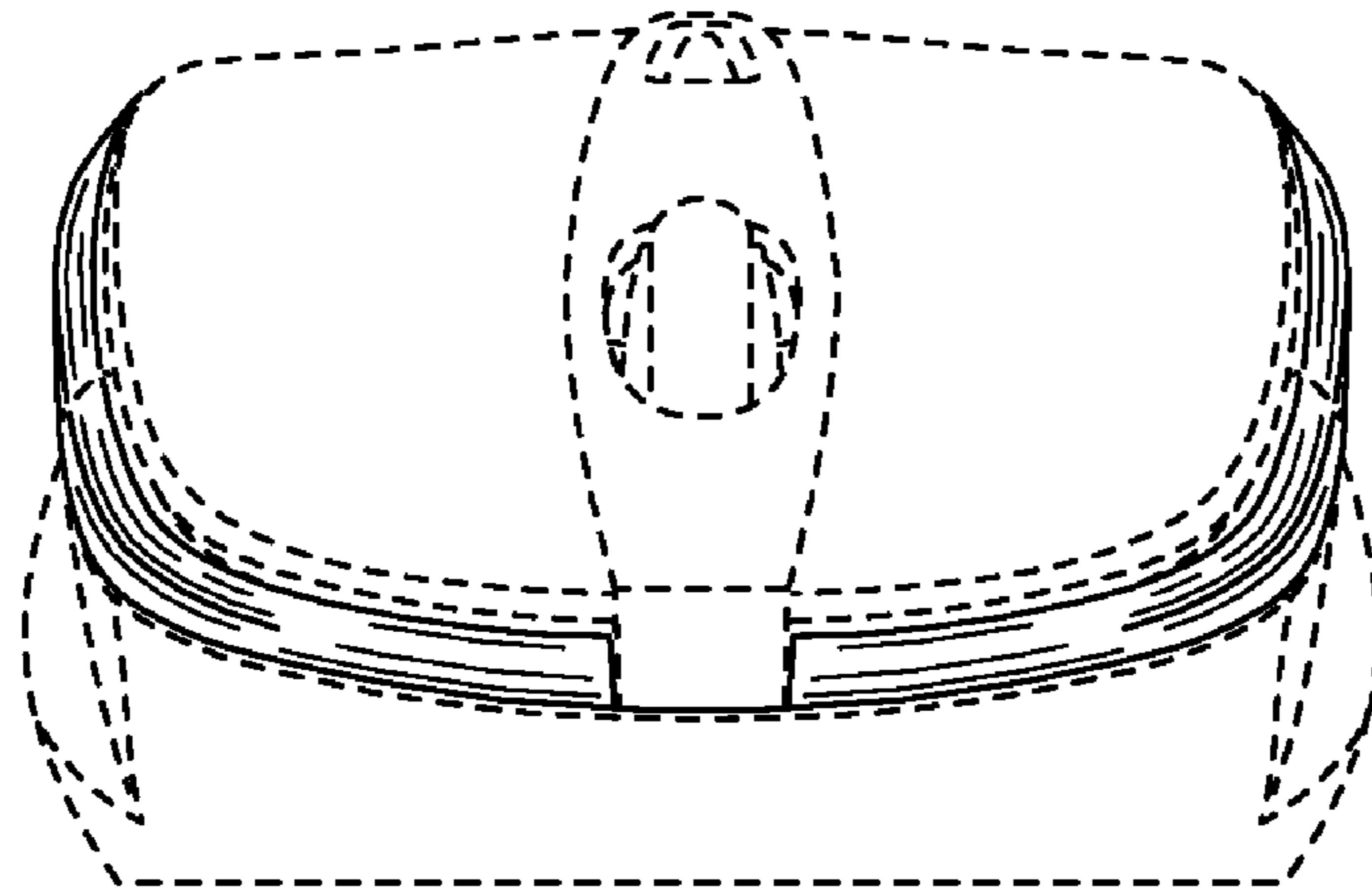


FIG. 3

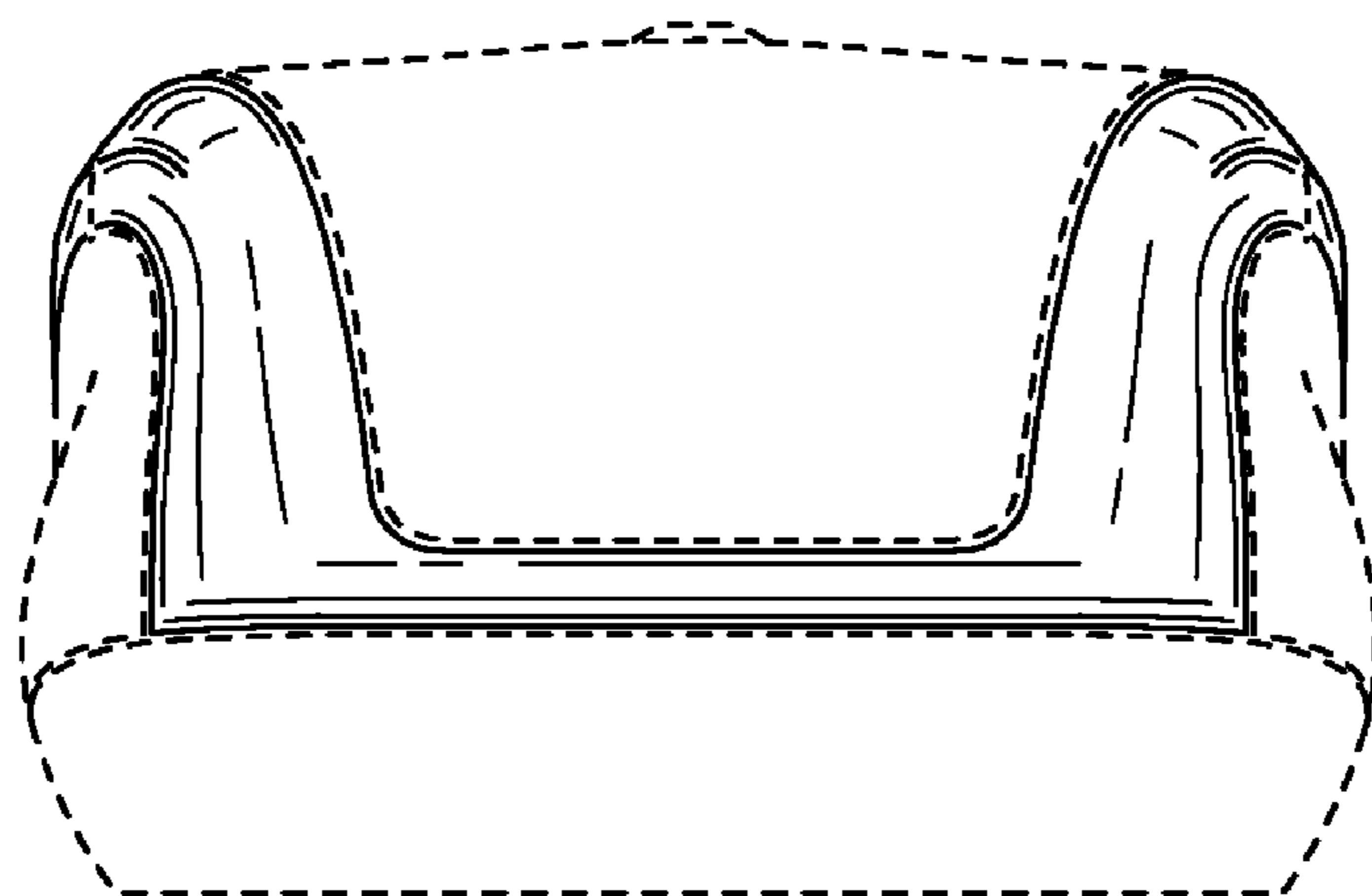


FIG. 4

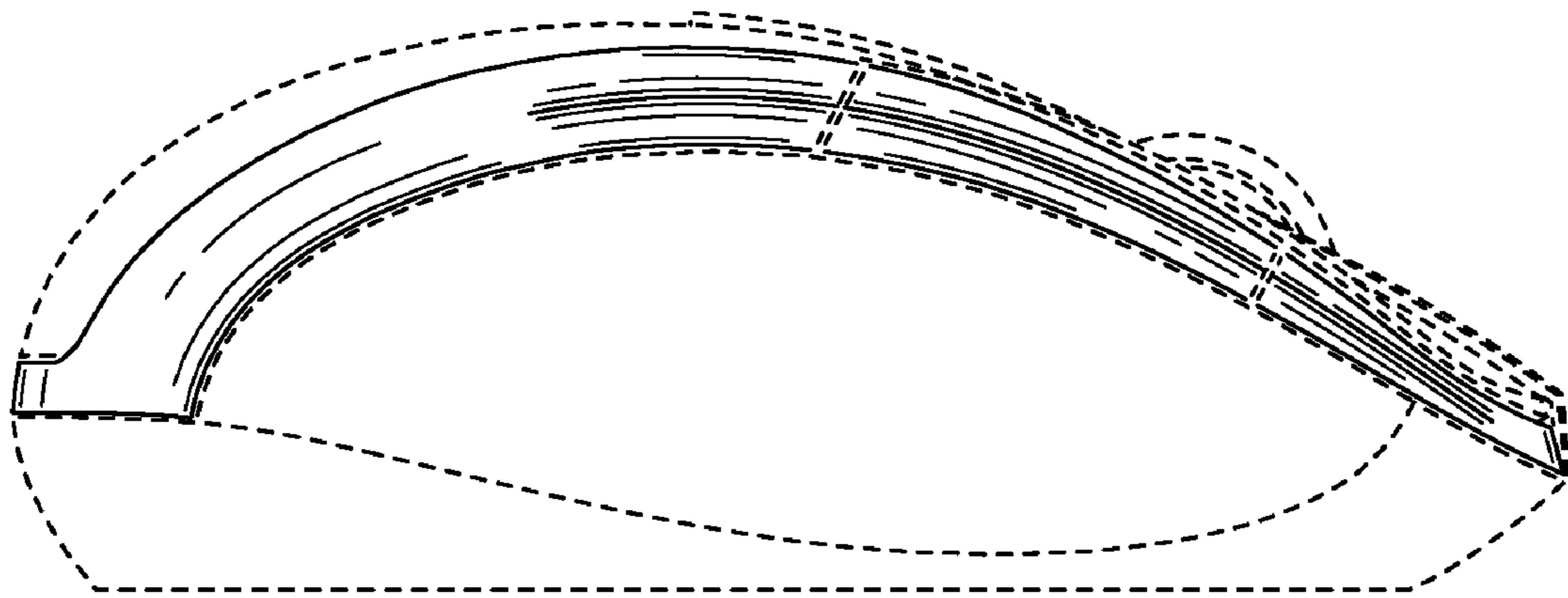


FIG. 5

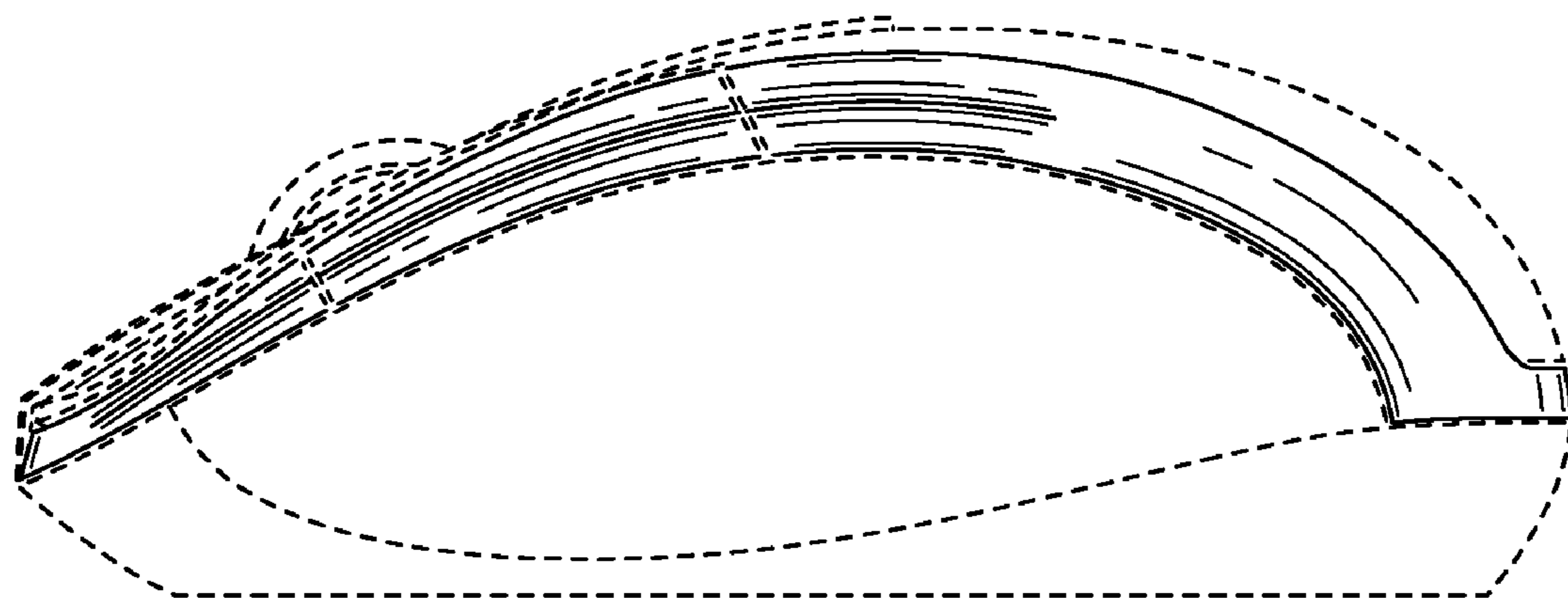


FIG. 6

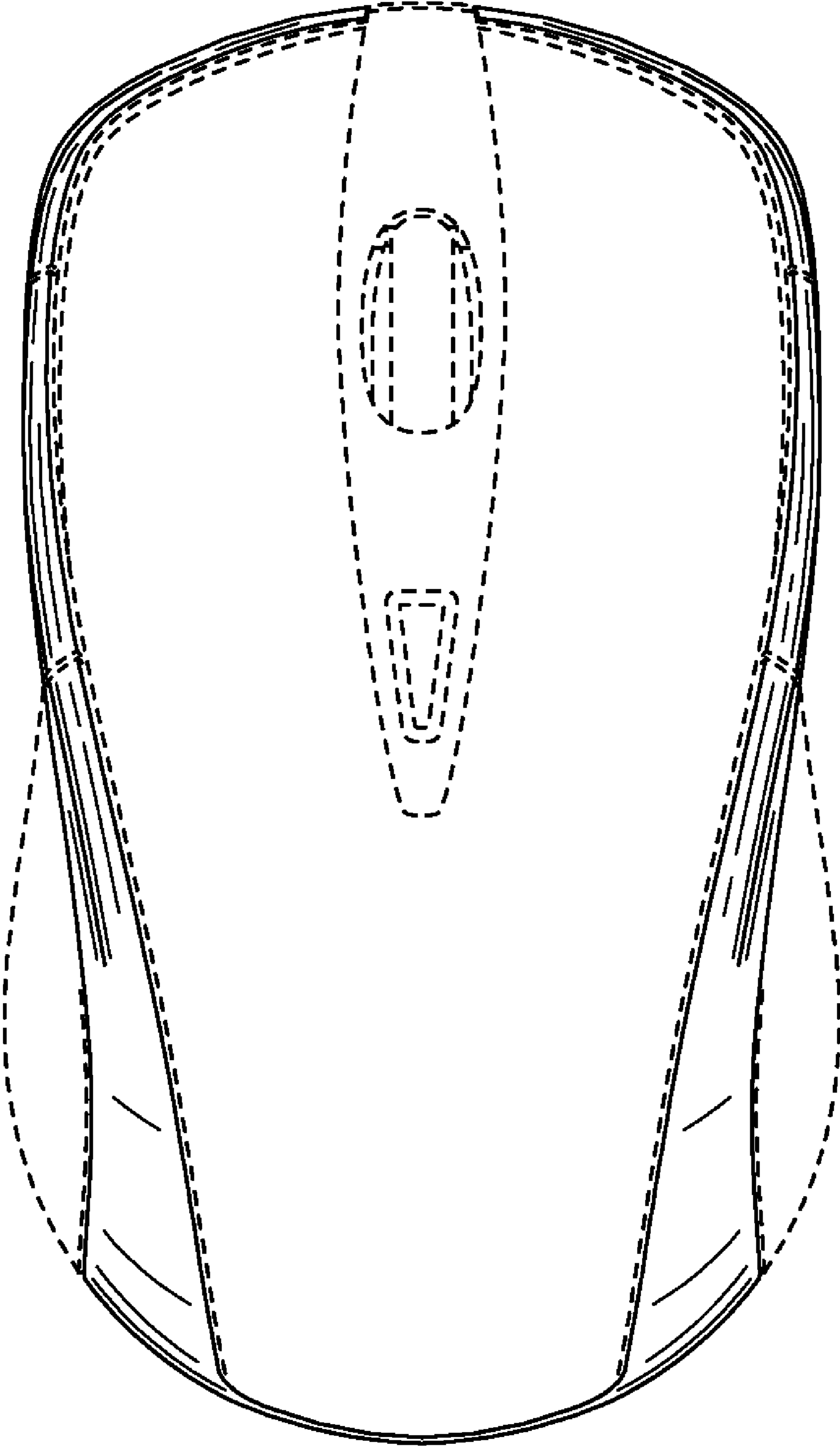


FIG. 7