



US00D564509S

(12) **United States Design Patent**  
**Kimura et al.**

(10) **Patent No.:** **US D564,509 S**  
(45) **Date of Patent:** **\*\* Mar. 18, 2008**

(54) **DISC PLAYER WITH RADIO TUNER**

(75) Inventors: **Kenji Kimura**, Tsuchiura (JP); **Hiroshi Yamamoto**, Yokohama (JP); **Kazufumi Sei**, Tokyo (JP)

(73) Assignee: **Victor Company of Japan, Limited**, Yokohama (JP)

(\*\*) Term: **14 Years**

(21) Appl. No.: **29/261,730**

(22) Filed: **Jun. 20, 2006**

(30) **Foreign Application Priority Data**

Dec. 21, 2005 (JP) ..... D2005-037529

(51) **LOC (8) Cl.** ..... **14-01**

(52) **U.S. Cl.** ..... **D14/258**

(58) **Field of Classification Search** ..... D14/258, D14/257, 224, 217, 198, 197, 188, 171, 170, D14/168, 167, 164, 162, 161, 160, 157, 156, D14/136, 145; 720/691, 658, 270; 455/344, 455/575.1; 396/434, 93, 75.1, 258; 360/47, 360/4; 359/550, 258; 349/460, 159, 10  
See application file for complete search history.

(56) **References Cited**

**U.S. PATENT DOCUMENTS**

D255,684 S \* 7/1980 Castagna ..... D14/198  
D260,644 S \* 9/1981 Kikuhara ..... D14/157

D475,691 S \* 6/2003 Nishii et al. .... D14/157  
D496,930 S \* 10/2004 Yoshihara ..... D14/258  
D524,304 S \* 7/2006 Kimura et al. .... D14/258  
D532,006 S \* 11/2006 Kim ..... D14/258  
D537,056 S \* 2/2007 Endo et al. .... D14/136  
D537,433 S \* 2/2007 Shimizu ..... D14/156

\* cited by examiner

*Primary Examiner*—Robert M. Spear

*Assistant Examiner*—Katrina A Kile

(74) *Attorney, Agent, or Firm*—The Nath Law Group; Jerald L. Meyer; Derek Richmond

(57) **CLAIM**

The ornamental design for a disc player with radio tuner, as shown and described.

**DESCRIPTION**

FIG. 1 is a perspective view of a disc player with radio tuner; FIG. 2 is a front view thereof; FIG. 3 is a rear view thereof; FIG. 4 is a right side view thereof; FIG. 5 is a left side view thereof; FIG. 6 is a top plan view thereof; and, FIG. 7 is a bottom view thereof.

The broken lines shown in the views are for illustrative purpose only and form no part of the claimed design.

**1 Claim, 4 Drawing Sheets**

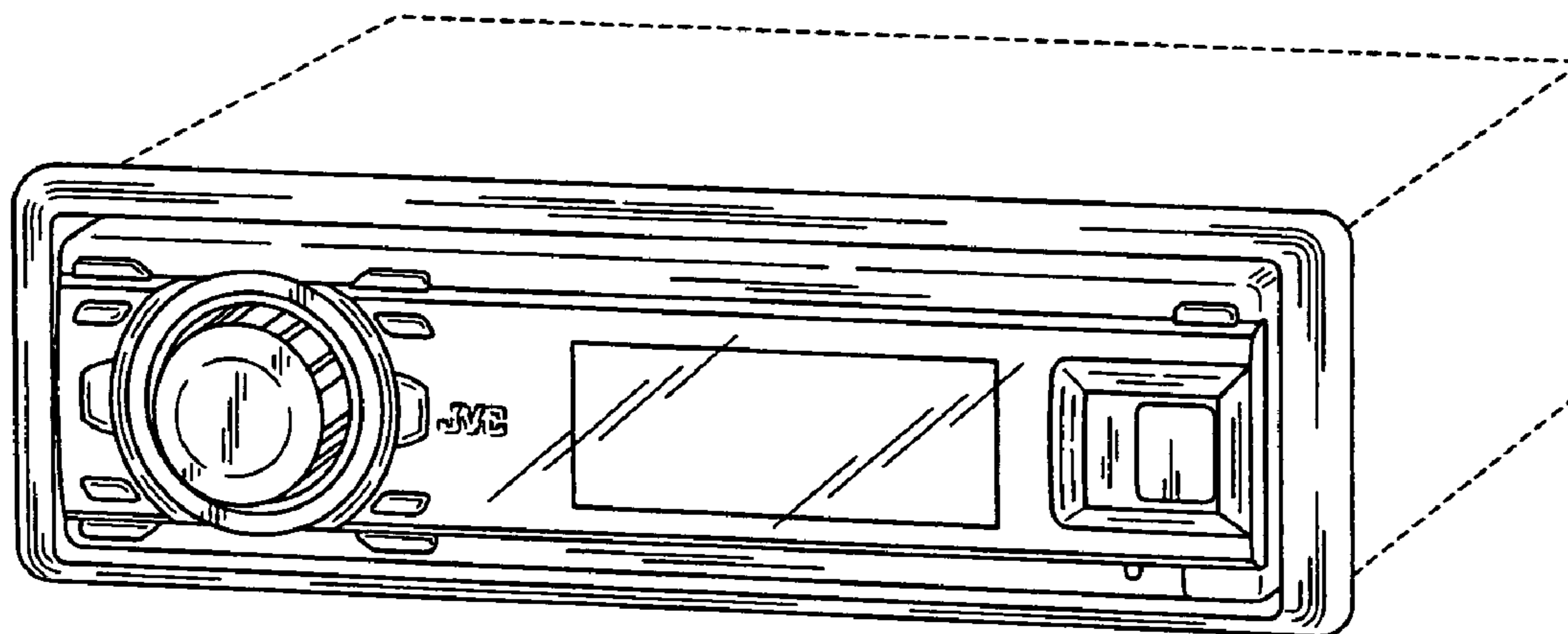


Fig.1

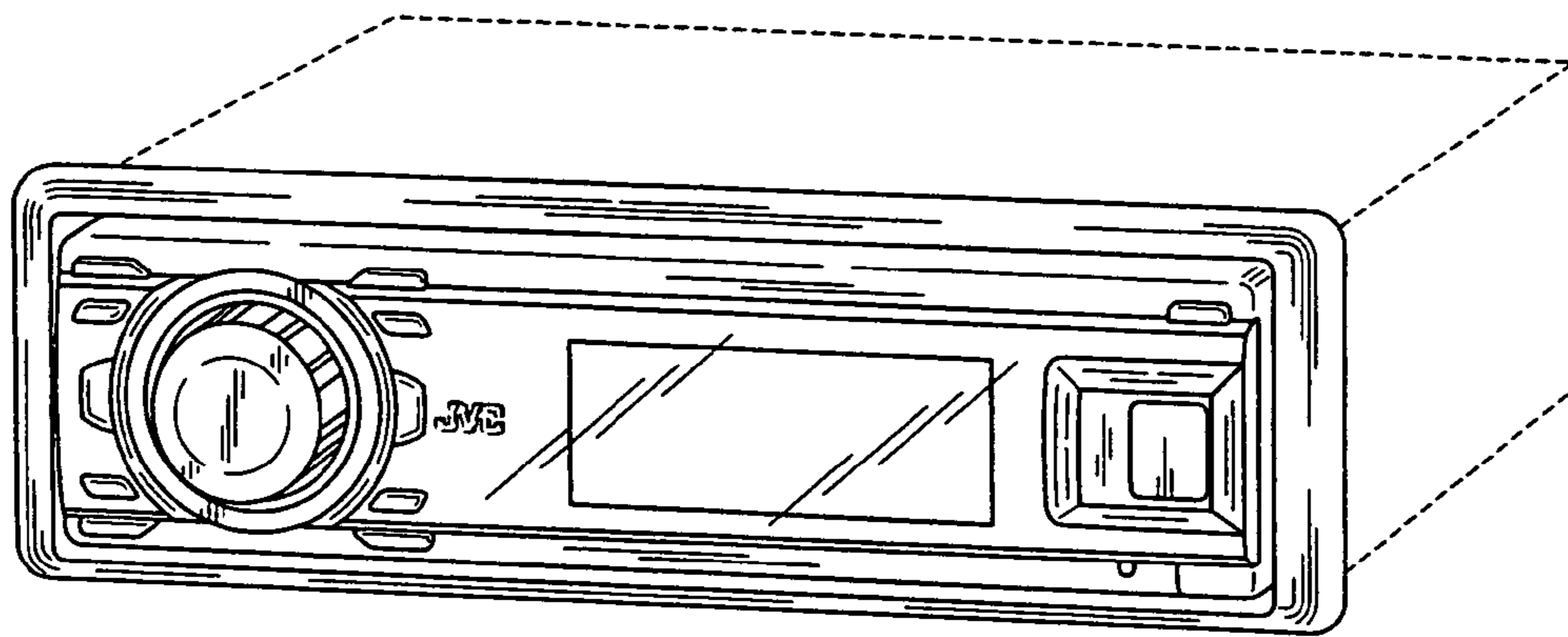


Fig.2

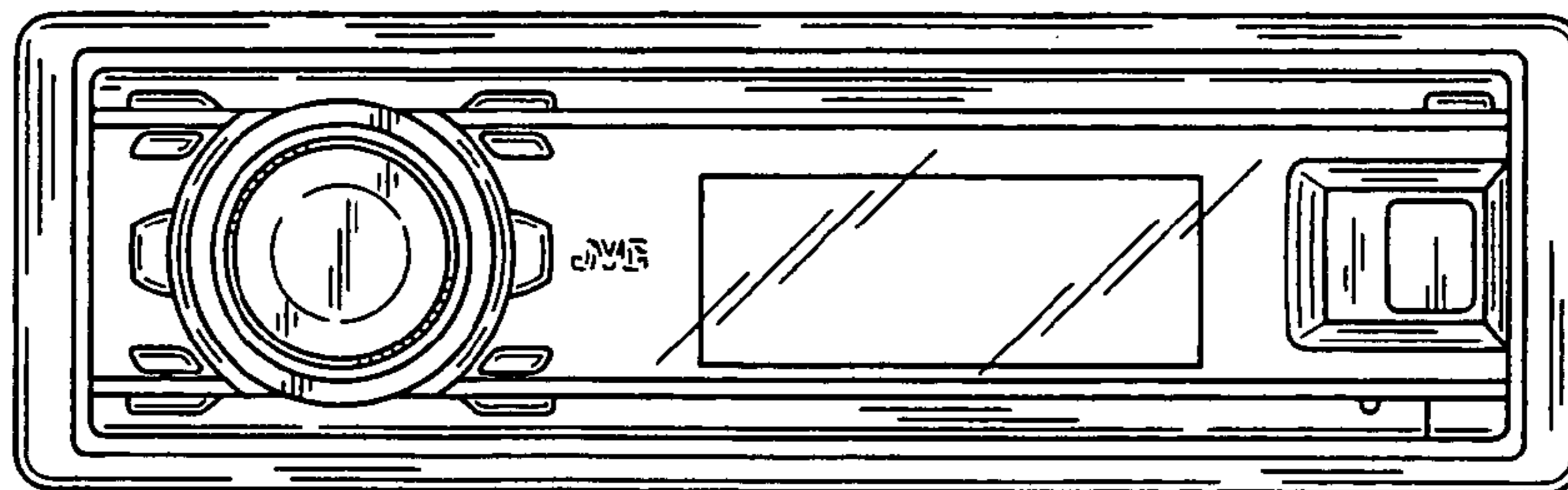


Fig.3

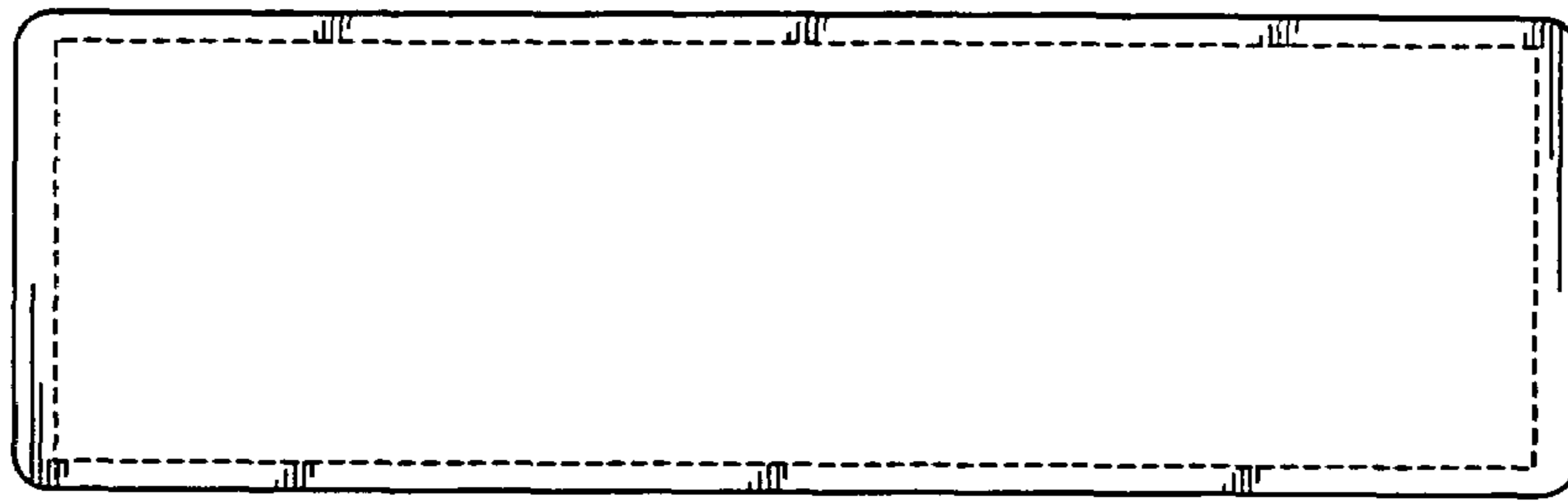


Fig.4



Fig.5

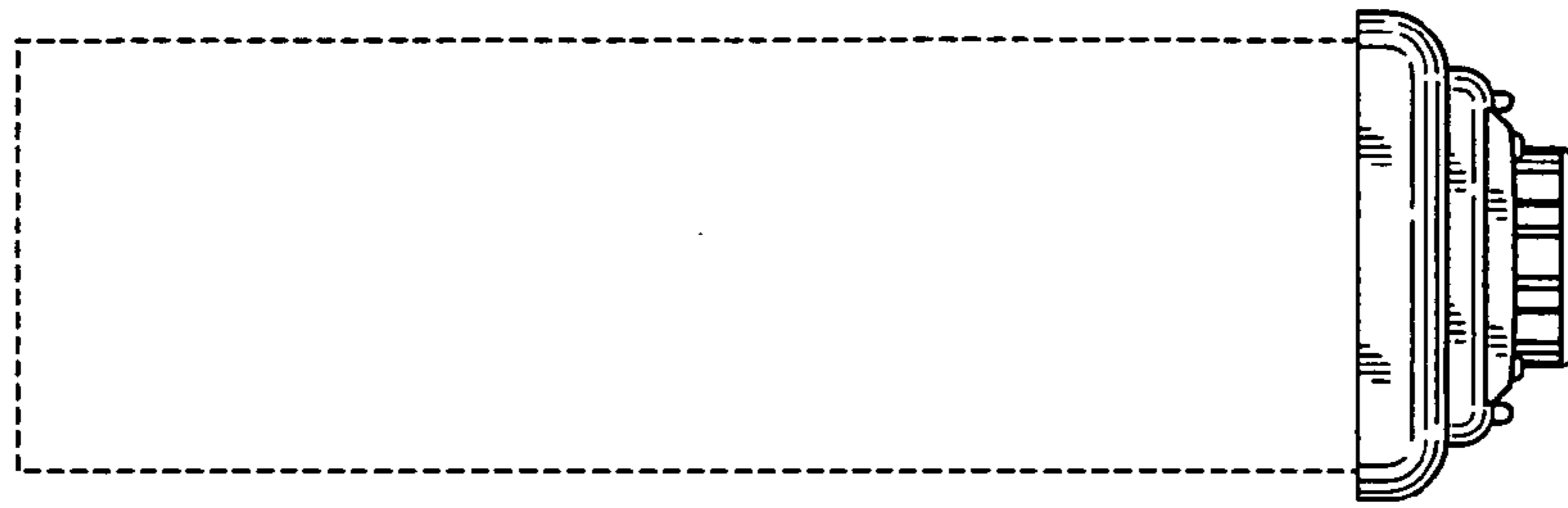


Fig.6

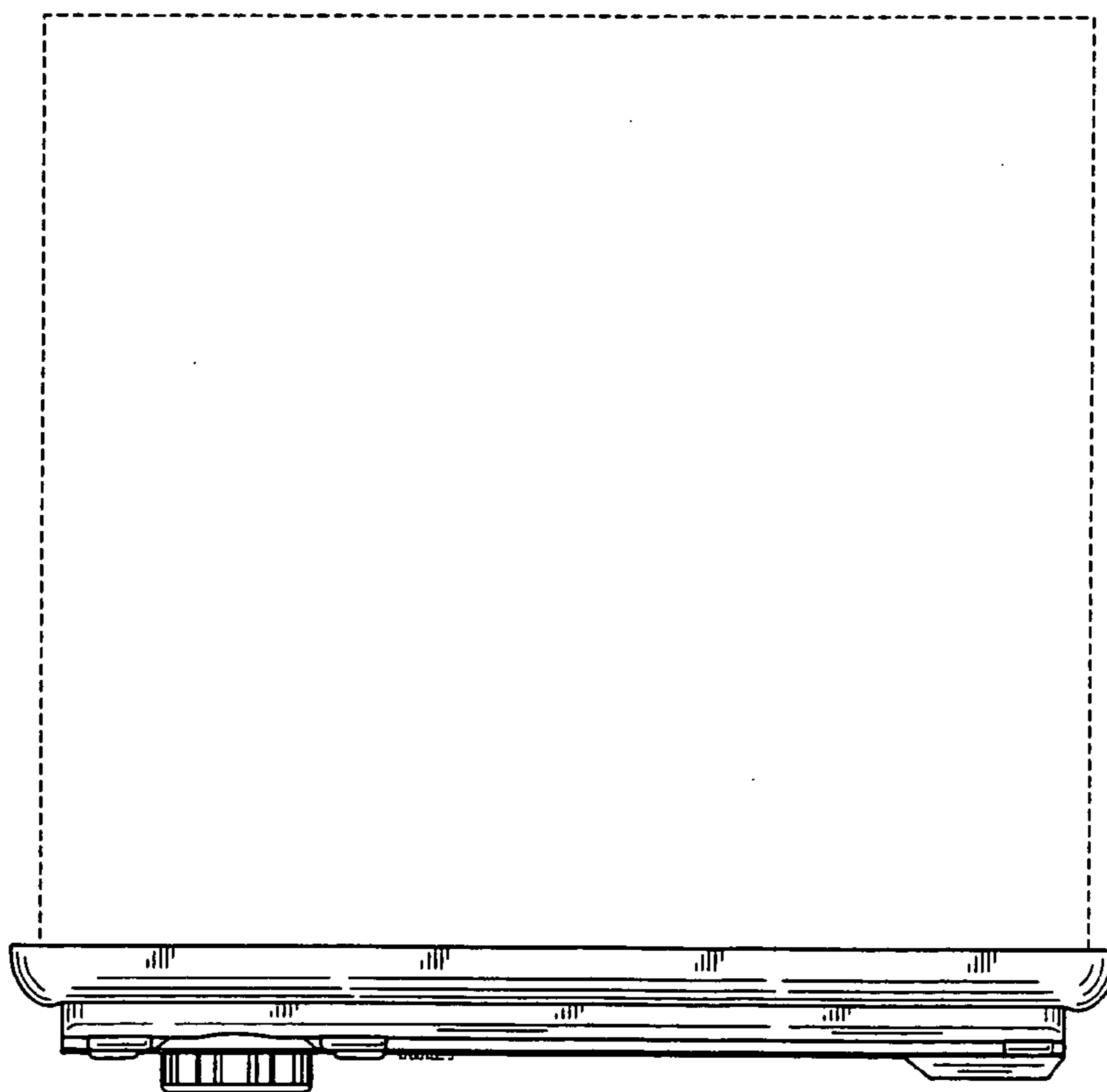


Fig. 7

