



US00D564505S

(12) **United States Design Patent**
Moss et al.

(10) **Patent No.: US D564,505 S**
(45) **Date of Patent: ** Mar. 18, 2008**

(54) **SET OF KEY BUTTONS FOR A HANDSET**

(75) Inventors: **Aaron Moss**, Hampshire (GB); **Mikko Aarras**, Helsinki (FI); **Anthony Dalby**, London (GB); **Daniel Gratiot**, London (GB)

(73) Assignee: **Nokia Corporation**, Espoo (FI)

(**) Term: **14 Years**

(21) Appl. No.: **29/283,291**

(22) Filed: **Aug. 9, 2007**

Related U.S. Application Data

(62) Division of application No. 29/277,793, filed on Mar. 9, 2007.

(30) **Foreign Application Priority Data**

Oct. 26, 2006 (FI) M20060196

(51) **LOC (8) Cl.** **14-03**

(52) **U.S. Cl.** **D14/247**

(58) **Field of Classification Search** D14/137,
D14/138, 147, 218, 247-248, 341-347; 455/90.3,
455/556.1, 556.2, 575.1, 575.3, 575.4; 379/433.01-433.13;
361/814; 348/14.02

See application file for complete search history.

(56) **References Cited**

U.S. PATENT DOCUMENTS

D426,531 S *	6/2000	Chikaraishi et al.	D14/138
D475,034 S *	5/2003	Arbisi et al.	D14/138
D476,320 S *	6/2003	Arbisi et al.	D14/247
D479,216 S *	9/2003	Ho-Cheun et al.	D14/138
D484,476 S *	12/2003	Mehandjiysky	D14/138
D494,949 S *	8/2004	Arnholt et al.	D14/138
D496,641 S *	9/2004	Seo	D14/138
D502,157 S *	2/2005	Kim et al.	D14/138
D502,933 S *	3/2005	Munstermann	D14/138
D506,454 S *	6/2005	Kim et al.	D14/138
D512,975 S *	12/2005	Tsai et al.	D14/138
D516,531 S *	3/2006	Hwang	D14/138

D518,804 S *	4/2006	Kangasmaa et al.	D14/138
D524,804 S *	7/2006	Kangasmaa	D14/248
D527,718 S *	9/2006	Shin	D14/138
D529,022 S *	9/2006	Lyles	D14/247
D529,486 S *	10/2006	Kangasmaa et al.	D14/247
D530,318 S *	10/2006	Kangasmaa	D14/247
7,200,416 B2 *	4/2007	Aisenberg	455/550.1
D542,770 S *	5/2007	Bower	D14/138
D543,198 S *	5/2007	Hering	D14/247
D555,642 S *	11/2007	Holmung et al.	D14/247
2006/0111146 A1 *	5/2006	Kim	455/557
2006/0148542 A1 *	7/2006	Oliver	455/575.3
2007/0054709 A1 *	3/2007	Chuang	455/575.3
2007/0142100 A1 *	6/2007	Lee	455/575.3

OTHER PUBLICATIONS

Bird S590, announced 1st quarter 2005, [online], [retrieved on Dec. 4, 2007]. Retrieved from Internet ,<URL: http://www.gsmarena.com>.*

(Continued)

Primary Examiner—Jeffrey Asch

Assistant Examiner—Bridget L Eland

(74) *Attorney, Agent, or Firm*—Banner & Witcoff, Ltd.

(57) **CLAIM**

The ornamental design for a set of key buttons for a handset, as shown and described.

DESCRIPTION

FIG. 1 is a front view of a first embodiment of a set of key buttons for a handset showing our new design;

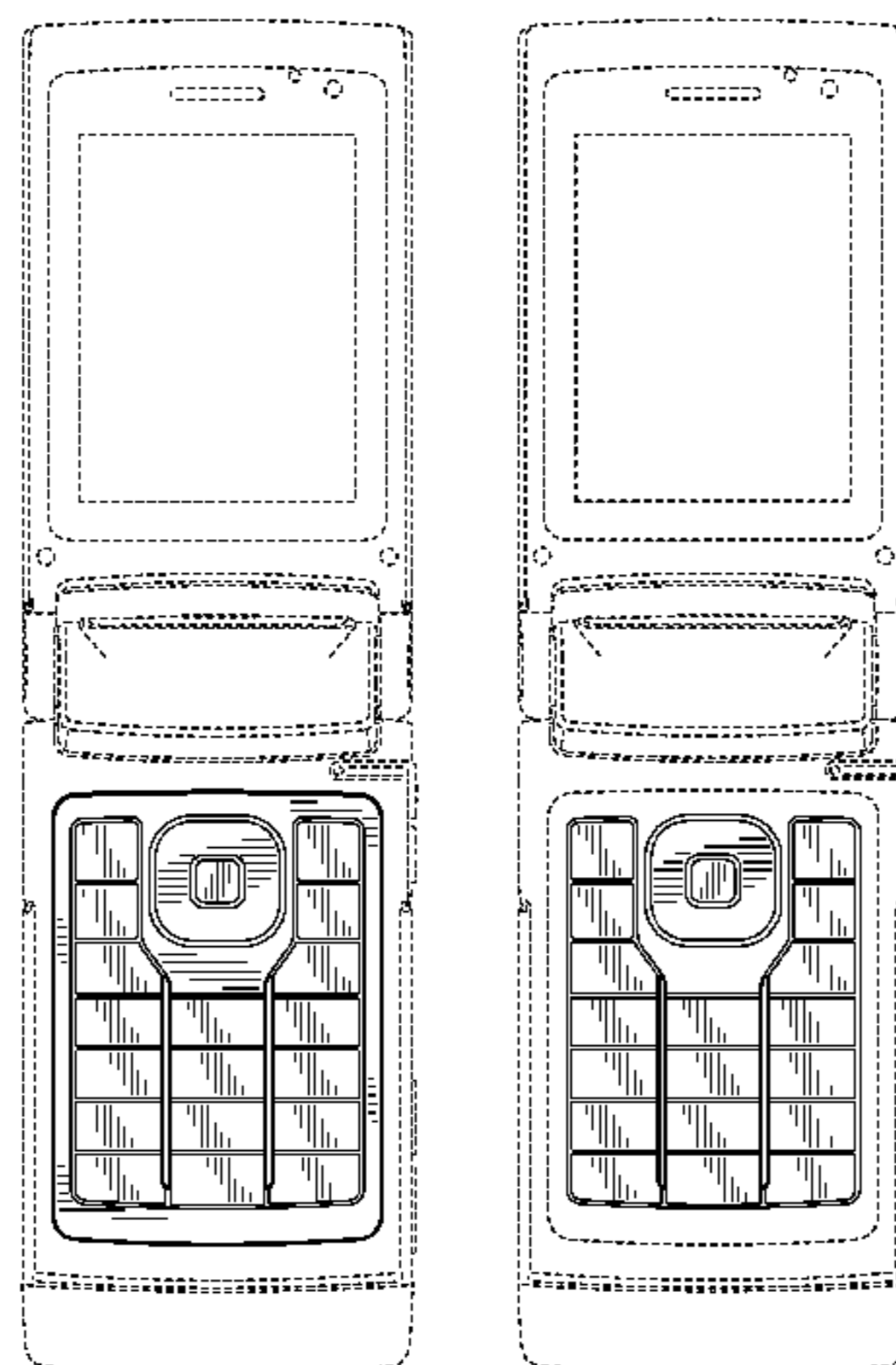
FIG. 2 is a perspective front view thereof;

FIG. 3 is a front view of a second embodiment of a set of key buttons for a handset showing our new design; and,

FIG. 4 is a perspective front view thereof.

The broken line showing the remainder of the handset is for illustrative purposes only and forms no part of the claimed design.

1 Claim, 4 Drawing Sheets



OTHER PUBLICATIONS

Motorola V557, announced 1st quarter 2005, [online], [retrieved on Dec. 10, 2007]. Retrieved from Internet ,<URL: <http://www.gsmarena.com>>.*

LG G1600, announced 2nd quarter 2004, [online], [retrieved on Dec. 10, 2007]. Retrieved from Internet ,<URL: <http://www.gsmarena.com>>.*

Bird D660, announced 1st quarter 2006, [online], [retrieved on Dec. 10, 2007]. Retrieved from Internet ,<URL: <http://www.gsmarena.com>>.*

Haier N60, announced 1st quarter 2005, [online], [retrieved on Dec. 13, 2007]. Retrieved from Internet ,<URL: <http://www.gsmarena.com>>.*

Internet page, <http://www.mforum.ru/phones/motorolav3.htm>, Motorola V3 (published 2004) (4 pgs.).

* cited by examiner

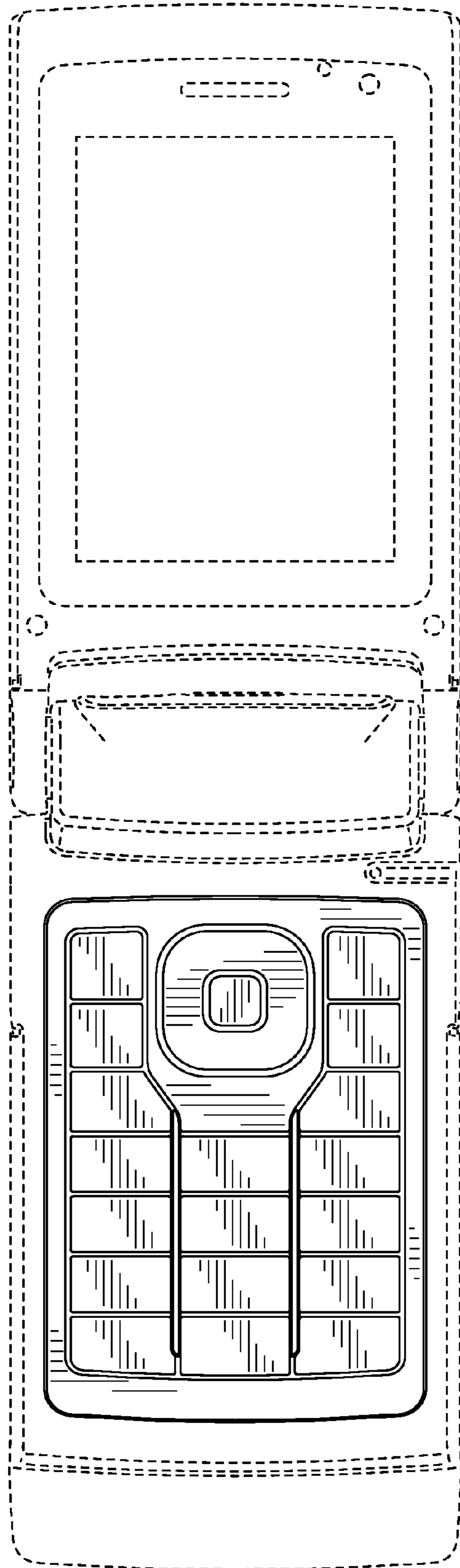


FIG. 1

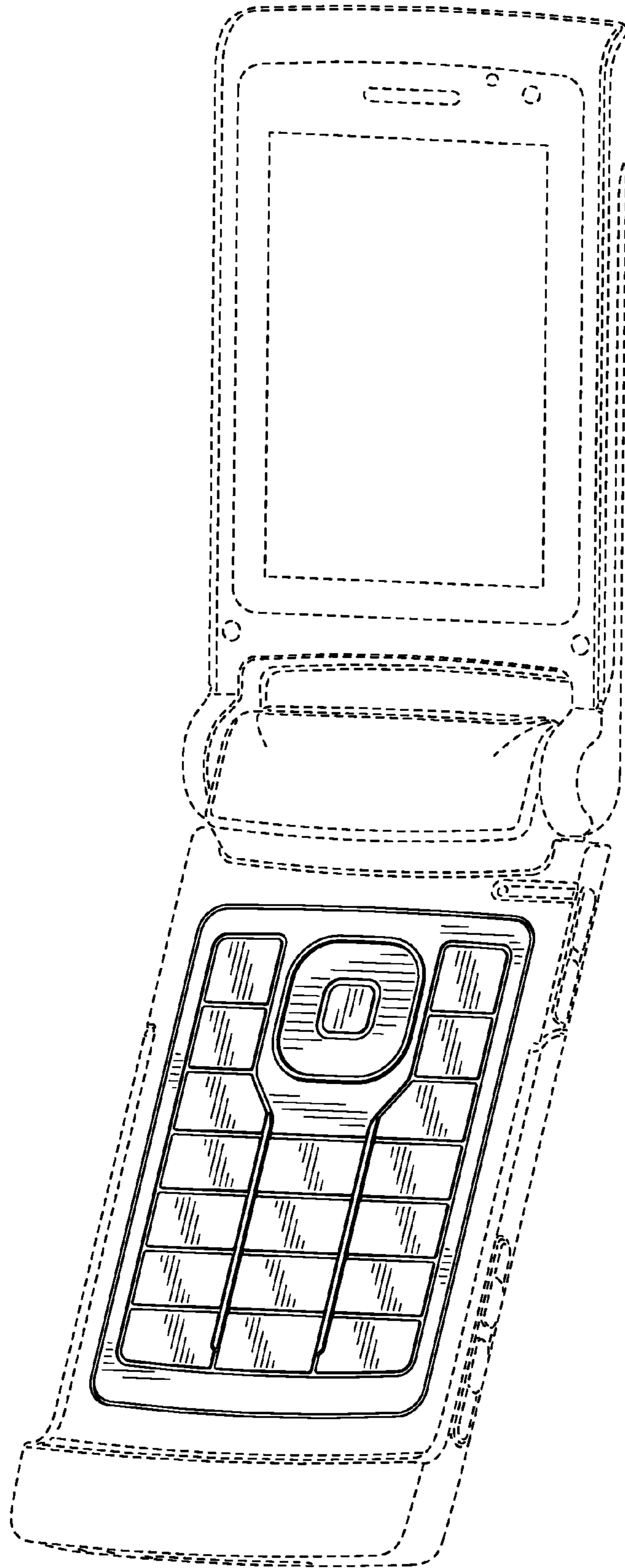


FIG. 2

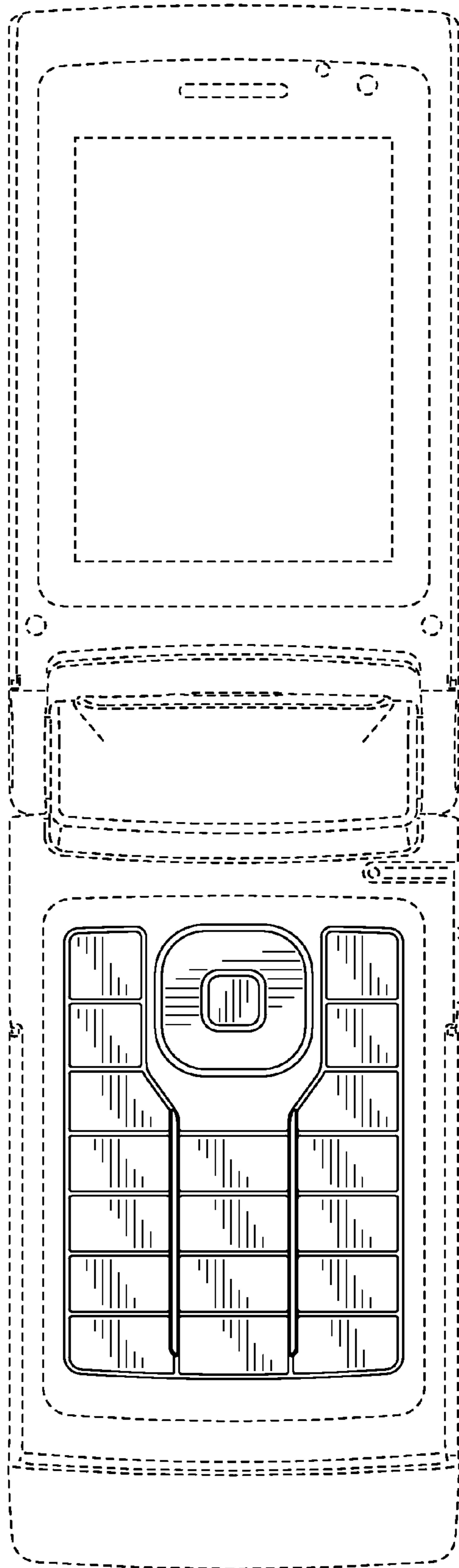


FIG. 3

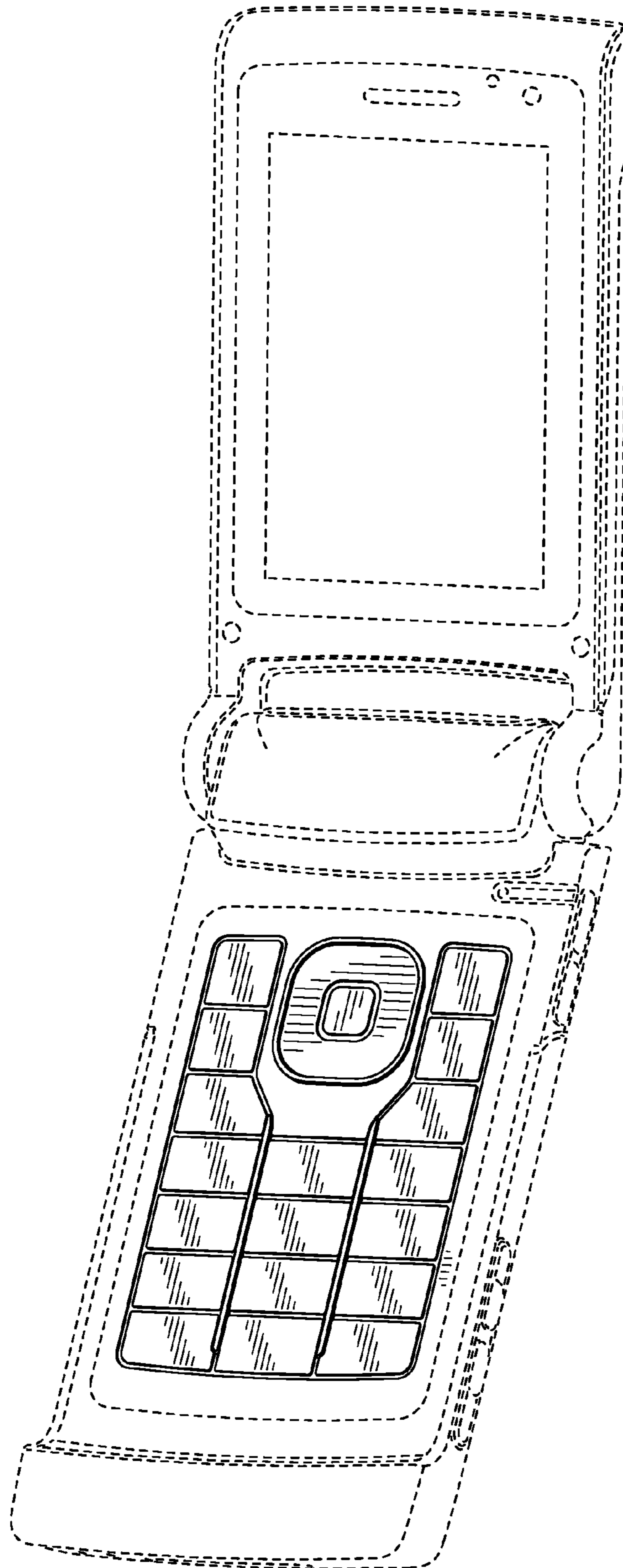


FIG. 4