



US00D564504S

(12) **United States Design Patent**  
**Lyles**

(10) **Patent No.:** **US D564,504 S**  
(45) **Date of Patent:** **\*\* Mar. 18, 2008**

- (54) **SET OF BUTTONS FOR A HANDSET**
- (75) Inventor: **Justin Lyles**, San Diego, CA (US)
- (73) Assignee: **Nokia Corporation**, Espoo (FI)
- (\*\*) Term: **14 Years**
- (21) Appl. No.: **29/278,928**
- (22) Filed: **Apr. 13, 2007**

D504,879 S \* 5/2005 Moss ..... D14/138  
 D507,251 S \* 7/2005 Burns et al. .... D14/138  
 D507,549 S \* 7/2005 Moss ..... D14/138  
 D507,562 S \* 7/2005 Kim ..... D14/247

(Continued)

**FOREIGN PATENT DOCUMENTS**

WO DM067109 9/2005

(Continued)

**OTHER PUBLICATIONS**

LG KG800, announced Mar. 2006, [online], [retrieved on Jun. 22, 2007]. Retrieved from Internet ,<URL: <http://www.gsmarena.com>>.\*

(Continued)

*Primary Examiner*—Jeffrey Asch  
*Assistant Examiner*—Bridget L Eland  
(74) *Attorney, Agent, or Firm*—Banner & Witcoff, Ltd.

**Related U.S. Application Data**

- (62) Division of application No. 29/231,712, filed on Jun. 9, 2005, now Pat. No. Des. 553,593.
- (51) **LOC (8) Cl.** ..... **14-03**
- (52) **U.S. Cl.** ..... **D14/247**
- (58) **Field of Classification Search** ..... D14/138,  
D14/147, 247–248, 341–347  
See application file for complete search history.

**References Cited**

**U.S. PATENT DOCUMENTS**

D426,531 S \* 6/2000 Chikaraishi et al. .... D14/138  
 D466,096 S 11/2002 Takada  
 D466,889 S \* 12/2002 Takada ..... D14/247  
 D479,214 S 9/2003 Bertrand et al.  
 D493,451 S \* 7/2004 Wada ..... D14/247  
 D494,949 S \* 8/2004 Arnholt et al. .... D14/138  
 D496,020 S \* 9/2004 Lee ..... D14/138  
 D500,016 S \* 12/2004 Kim ..... D14/138  
 D500,749 S \* 1/2005 Kim ..... D14/138  
 D500,992 S \* 1/2005 Shen et al. .... D14/138  
 D501,838 S \* 2/2005 Kim et al. .... D14/138  
 D503,697 S \* 4/2005 Kim ..... D14/138  
 D503,699 S 4/2005 Lee et al.

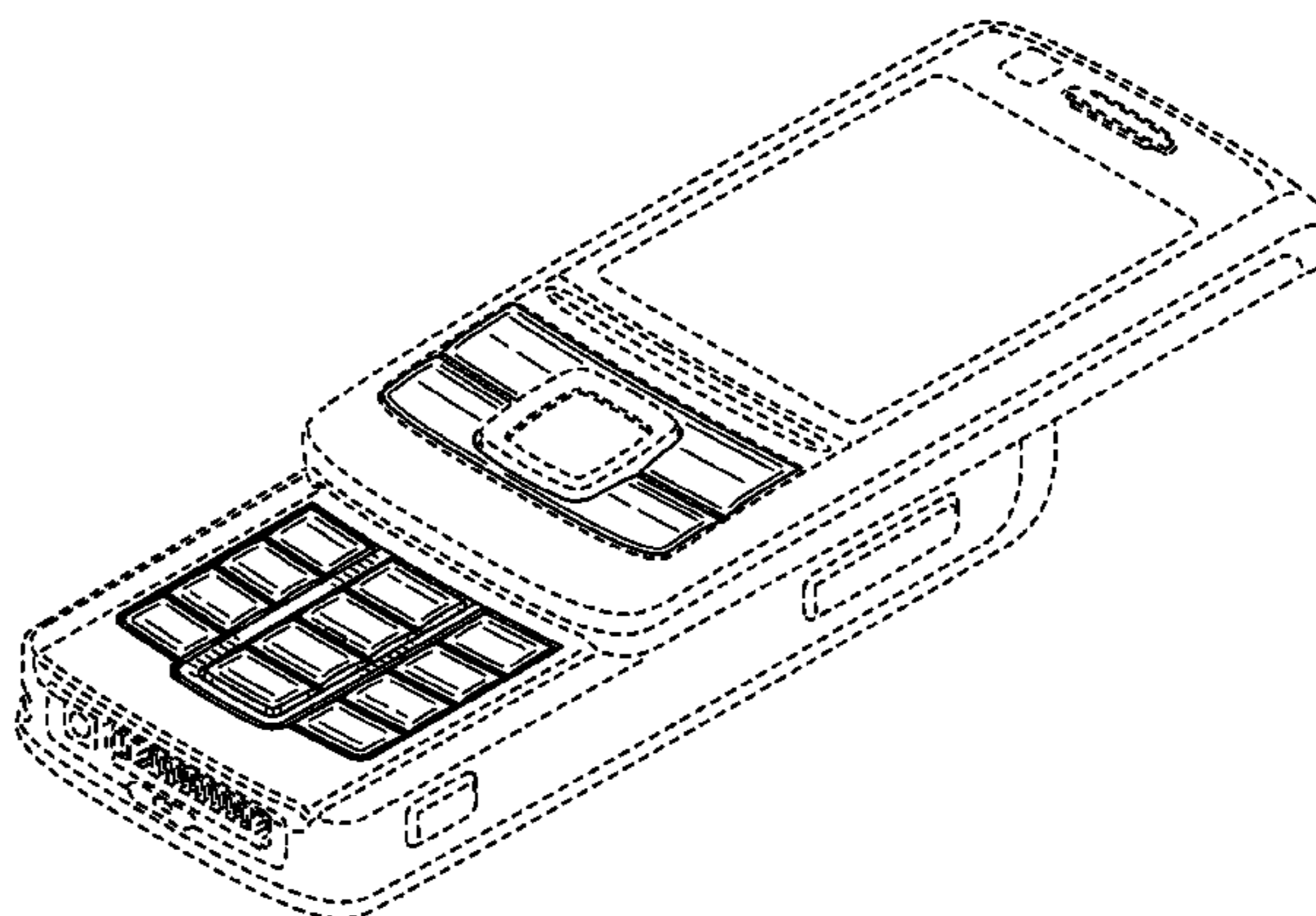
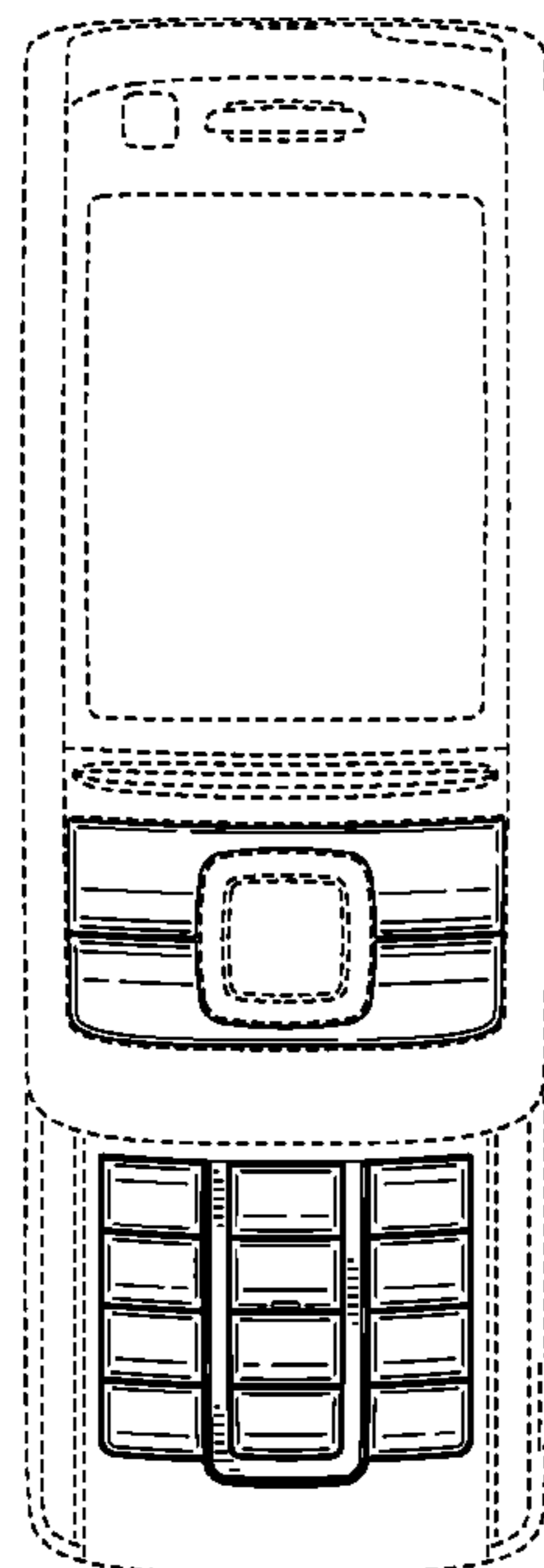
(57) **CLAIM**

The ornamental design for a set of buttons for a handset, as shown and described.

**DESCRIPTION**

FIG. 1 is a front view of a set of buttons for a handset showing my new design; and,  
FIG. 2 is a perspective front view thereof.  
The broken line showing of the remainder of the handset is for illustrative purposes only and forms no part of the claimed design.

**1 Claim, 2 Drawing Sheets**



# US D564,504 S

Page 2

## U.S. PATENT DOCUMENTS

D507,563 S \* 7/2005 Moss ..... D14/247  
D508,240 S \* 8/2005 Lee et al. .... D14/138  
D508,473 S 8/2005 Lee et al.  
D509,202 S 9/2005 Lee et al.  
D511,342 S 11/2005 Chien  
D511,771 S \* 11/2005 Burns et al. .... D14/247  
D511,773 S \* 11/2005 Horiki et al. .... D14/346  
D512,395 S \* 12/2005 Kim et al. .... D14/138  
D514,079 S \* 1/2006 Lai ..... D14/138  
D516,531 S 3/2006 Hwang  
D518,462 S \* 4/2006 Baik et al. .... D14/138  
D521,478 S \* 5/2006 Lee et al. .... D14/138  
D523,836 S \* 6/2006 Park ..... D14/138  
D525,224 S \* 7/2006 Pitt et al. .... D14/138  
D525,609 S 7/2006 Kim et al.  
D526,301 S 8/2006 Shin  
D526,302 S 8/2006 Kim  
D526,989 S 8/2006 Dimitriadis et al.  
D527,364 S 8/2006 Lee et al.  
D527,366 S 8/2006 Lee  
D527,726 S \* 9/2006 Viitasaari ..... D14/247  
D528,095 S \* 9/2006 Kwon et al. .... D14/138  
D528,096 S 9/2006 Park  
D528,526 S 9/2006 Shin  
D528,532 S 9/2006 Dimitriadis et al.  
D528,533 S 9/2006 Lee et al.  
D529,474 S 10/2006 Park et al.  
D529,887 S 10/2006 Chung et al.  
D530,295 S 10/2006 Chung et al.  
D534,891 S \* 1/2007 Park et al. .... D14/138  
D534,892 S 1/2007 Lee et al.  
D535,275 S 1/2007 Kim et al.  
D543,168 S \* 5/2007 Kim ..... D14/138  
D543,198 S \* 5/2007 Hering ..... D14/247  
D544,474 S \* 6/2007 Kim et al. .... D14/247

D545,792 S \* 7/2007 Kim et al. .... D14/138  
D549,204 S \* 8/2007 Cho ..... D14/138  
D549,699 S \* 8/2007 Bower ..... D14/247  
D550,220 S \* 9/2007 Lyles ..... D14/247  
D554,101 S \* 10/2007 Hu ..... D14/138  
D555,642 S \* 11/2007 Holmung et al. .... D14/247  
2005/0014538 A1\* 1/2005 Hyun et al. .... 455/575.4  
2005/0124394 A1\* 6/2005 Kim et al. .... 455/575.3  
2005/0250532 A1\* 11/2005 Hwang et al. .... 455/550.1  
2005/0255897 A1 11/2005 Lee et al.  
2006/0046796 A1 3/2006 Park et al.  
2006/0142073 A1 6/2006 Gordecki

## FOREIGN PATENT DOCUMENTS

WO DM067414 12/2005  
WO DM067853 12/2005

## OTHER PUBLICATIONS

Samsung D730, announced 1<sup>st</sup> quarter 2005, [online], [retrieved on Jun. 18, 2007]. Retrieved from Internet ,<URL: <http://www.gsmarena.com>>.\*  
Motorola V360, announced 1<sup>st</sup> quarter 2005, [online], [retrieved on Jun. 18, 2007]. Retrieved from Internet ,<URL: <http://www.gsmarena.com>>.\*  
Motorola C650, announced 1<sup>st</sup> quarter 2004, [online], [retrieved on Jun. 18, 2007]. Retrieved from Internet ,<URL: <http://www.gsmarena.com>>.\*  
Nokia 6280, announced Jun. 2005, [online], [retrieved on Feb. 5, 2007]. Retrieved from Internet, <URL:<http://www.gsmarena.com>>.  
Nokia 6288, announced Sep. 2006, [online], [retrieved on Feb. 5, 2007]. Retrieved from Internet, <URL:<http://www.gsmarena.com>>.  
Nokia 6282, announced 4th quarter 2005, [online], [retrieved on Feb. 5, 2007]. Retrieved from Internet, <URL:<http://www.gsmarena.com>>.

\* cited by examiner

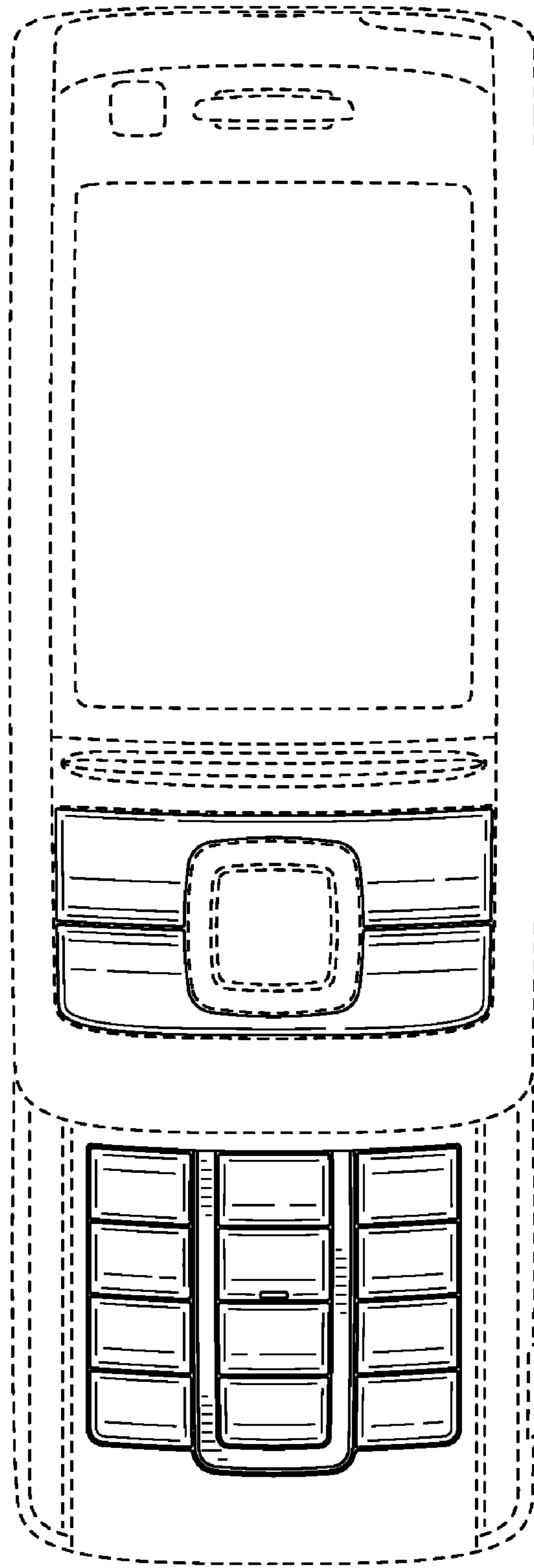


FIG. 1

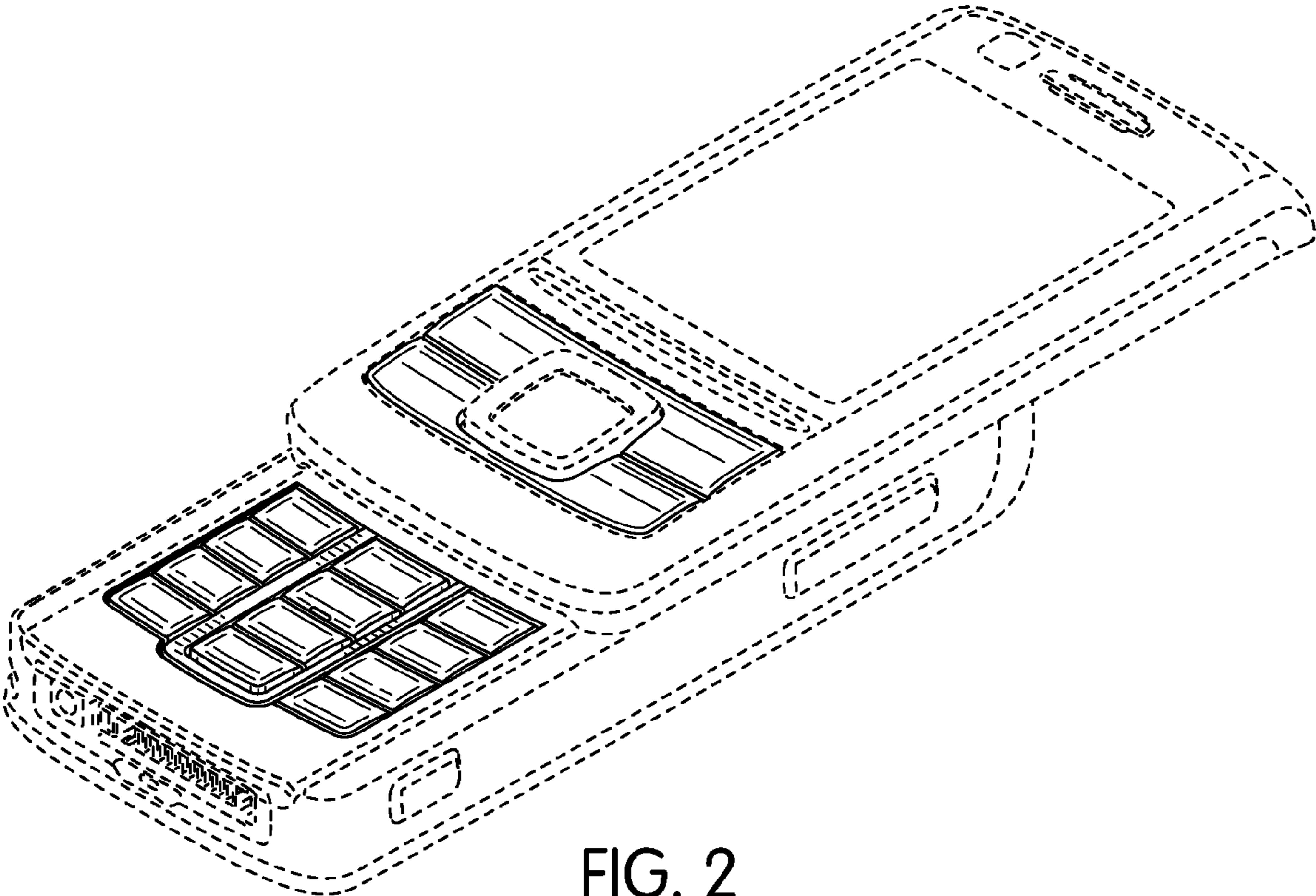


FIG. 2