



US00D564503S

(12) **United States Design Patent** (10) **Patent No.:** **US D564,503 S**
Nakajima et al. (45) **Date of Patent:** **** Mar. 18, 2008**

(54) **SET OF KEY BUTTONS FOR A HANDSET**

(75) Inventors: **Shiho Nakajima**, Tokyo (JP); **Robert Shepherd**, Tarzana, CA (US)

(73) Assignee: **Nokia Corporation**, Espoo (FI)

(**) Term: **14 Years**

(21) Appl. No.: **29/278,558**

(22) Filed: **Apr. 2, 2007**

Related U.S. Application Data

(62) Division of application No. 29/207,323, filed on Jun. 14, 2004, now Pat. No. Des. 546,324.

(51) **LOC (8) Cl.** **14-03**

(52) **U.S. Cl.** **D14/247**

(58) **Field of Classification Search** D14/137-138, D14/147-148, 156, 218, 247-248, 341-347, D14/496, 390, 399, 455, 456; D16/208; D21/329, 331, 333, 517; 348/14.01-14.02; 361/814; 379/433.01-433.13; 455/90.3, 455/556.1-556.2, 566, 575.1, 575.3, 575.4; D13/164, 168; 439/165

See application file for complete search history.

(56) **References Cited**

U.S. PATENT DOCUMENTS

- D390,509 S 2/1998 Antzinas et al.
- D424,060 S 5/2000 Baker et al.
- D425,887 S 5/2000 Edwards et al.
- D432,511 S 10/2000 Eckholm
- D441,733 S 5/2001 Do et al.
- D459,327 S 6/2002 Ali
- D460,057 S 7/2002 Hunt
- 6,469,731 B1 10/2002 Saburi
- D469,367 S 1/2003 Mirabelli et al.
- D469,416 S 1/2003 Nam
- D469,750 S 2/2003 Nam
- D472,225 S 3/2003 Griffin
- D479,212 S 9/2003 Eckholm
- D479,514 S 9/2003 Chan

- D480,697 S 10/2003 Lee et al.
- D481,691 S 11/2003 Vuolteenaho
- D482,010 S 11/2003 Nuovo et al.
- D484,475 S 12/2003 Sheu
- D484,477 S 12/2003 Salmi
- D484,865 S 1/2004 Arbisi
- D484,873 S * 1/2004 Salmi D14/247
- D485,246 S 1/2004 Johansson et al.

(Continued)

FOREIGN PATENT DOCUMENTS

EP 000119649-0001 4/2004

(Continued)

OTHER PUBLICATIONS

Philips Xenium 9@98, announced 1Q 2005, <URL:www.gsmarena.com>, retrieved from internet Oct. 12, 2007.*

(Continued)

Primary Examiner—Ian Simmons
Assistant Examiner—Carla Jobe Wright
(74) *Attorney, Agent, or Firm*—Banner & Witcoff, Ltd.

(57) **CLAIM**

The ornamental design for a set of key buttons for a handset, as shown and described.

DESCRIPTION

FIG. 1 is a front view of a set of key buttons for a handset showing a first embodiment of our new design;

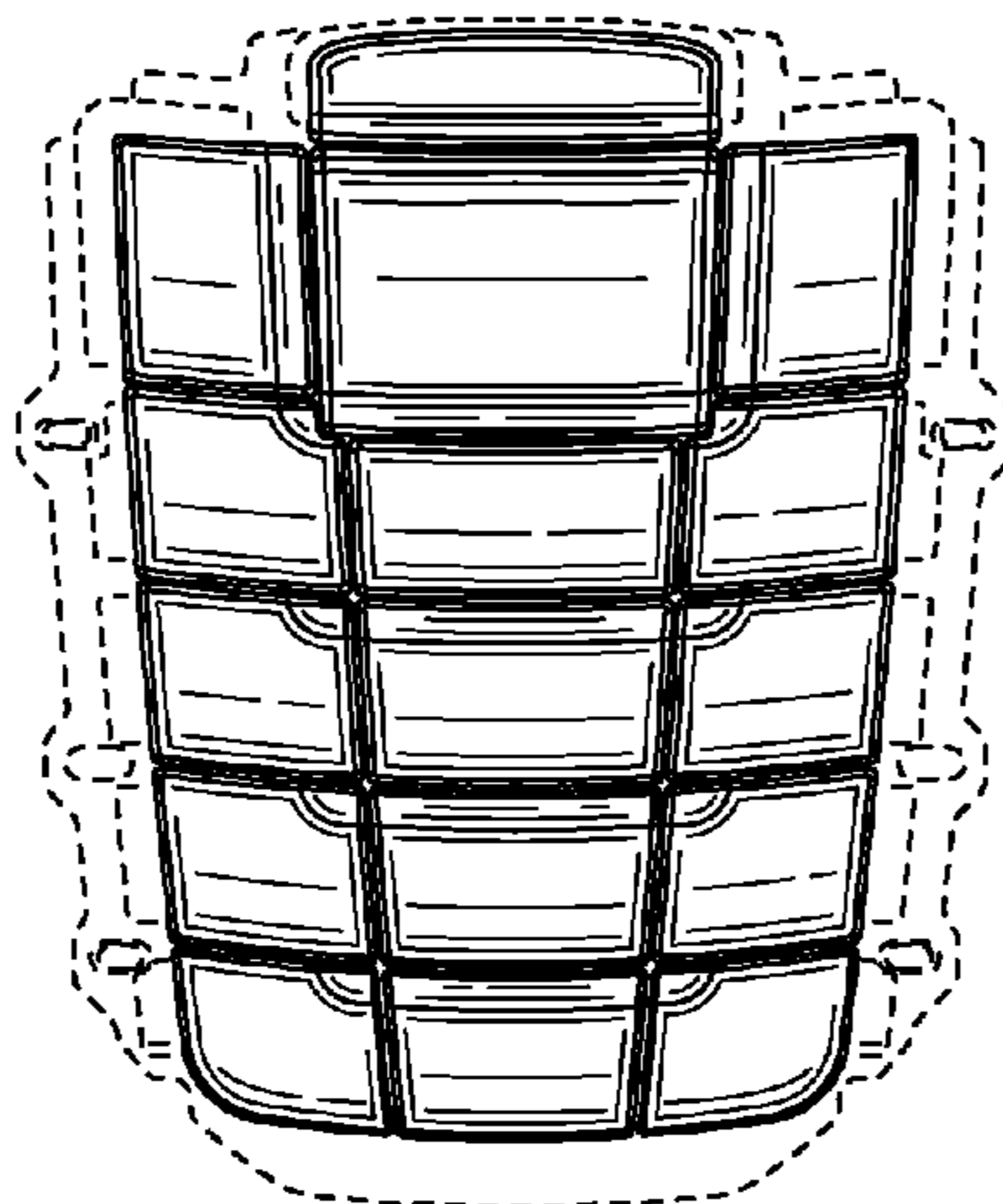
FIG. 2 is a perspective front view thereof;

FIG. 3 is a front view of a set of key buttons for a handset showing a second embodiment of our new design; and,

FIG. 4 is a perspective front view thereof.

The broken line showing of environmental structures is for illustrative purposes only and forms no part of the claimed design.

1 Claim, 3 Drawing Sheets



US D564,503 S

U.S. PATENT DOCUMENTS

D487,438 S	3/2004	Sheu	
D488,143 S	4/2004	Ting et al.	
D488,789 S	4/2004	Lee	
D490,791 S	6/2004	Pitt et al.	
D492,274 S	6/2004	Widiaman	
D492,276 S	6/2004	Walliser et al.	
D494,561 S	8/2004	Kagami et al.	
D494,949 S	8/2004	Arnholt et al.	
D494,950 S	8/2004	Keunecke	
D495,672 S	9/2004	Jeon et al.	
D496,343 S	9/2004	Lin et al.	
D496,641 S	9/2004	Seo	
D496,921 S	10/2004	Hwang	
D498,473 S	* 11/2004	Sheu	D14/247
D500,749 S	1/2005	Kim	
D500,992 S	1/2005	Shen et al.	
D502,162 S	2/2005	Kim et al.	
D502,455 S	3/2005	Brandis et al.	
D502,691 S	3/2005	Fuxen	
D502,933 S	3/2005	Munstermann	
D503,162 S	3/2005	Kagami et al.	
D503,163 S	3/2005	Chan et al.	
D504,879 S	5/2005	Moss	
D505,934 S	6/2005	Gonser	
D506,190 S	6/2005	Mehandjiysky	
D506,191 S	6/2005	Majanen	
D506,750 S	* 6/2005	Mehandjiysky	D14/247
D507,562 S	7/2005	Kim	
D507,563 S	* 7/2005	Moss	D14/247
D512,398 S	* 12/2005	Chen et al.	D14/138
D514,539 S	2/2006	Lai et al.	
D514,540 S	2/2006	Lai et al.	
D515,540 S	2/2006	Geng et al.	
D516,049 S	2/2006	Hwang	
D517,518 S	3/2006	Nakajima et al.	
D518,458 S	4/2006	Husgafvel et al.	
D518,806 S	4/2006	Husgafvel	
D521,506 S	5/2006	Tyneski et al.	
D522,988 S	6/2006	Sheu	
D524,777 S	7/2006	Lyles	
D524,779 S	7/2006	Lyles	
D524,803 S	7/2006	Tyneski et al.	
D526,295 S	8/2006	Lyles	
D529,485 S	* 10/2006	Lyles	D14/247
D539,791 S	* 4/2007	Sheu	D14/247
D544,474 S	* 6/2007	Kim et al.	D14/247
D544,858 S	* 6/2007	Lyles	D14/247
D550,220 S	* 9/2007	Lyles	D14/247

D550,661 S	* 9/2007	Fahlgren	D14/247
2002/0190957 A1	12/2002	Lee et al.	
2003/0083021 A1*	5/2003	Hsu et al.	455/90
2004/0185921 A1	9/2004	Tornaghi	
2004/0224722 A1	11/2004	Lee	
2005/0057520 A1	3/2005	Robinson	
2005/0079895 A1	4/2005	Kalenius et al.	
2005/0083642 A1	4/2005	Senpuku et al.	
2006/0100004 A1*	5/2006	Kim et al.	455/575.3

FOREIGN PATENT DOCUMENTS

EP	000119649-0002	4/2004
EP	000119649-0003	4/2004
EP	000119649-0004	4/2004
EP	000119656-0001	10/2005
EP	000119656-0002	10/2005
EP	000119656-0003	10/2005
EP	000119656-0004	10/2005
EP	000119656-0005	10/2005
WO	DM/065946	11/2004
WO	DM/066071	11/2004
WO	DM/066599	4/2005

OTHER PUBLICATIONS

LG L341i, announced 2Q 2005, <URL:www.gsmarena.com>, retrieved from internet Oct. 12, 2007.*

Nokia 1110, announced Jun. 2005, <URL:www.gsmarena.com>, retrieved from internet Oct. 12, 2007.*

Alcatel OT 355, announced 1Q 2004, <URL:www.gsmarena.com>, retrieved from internet Oct. 12, 2007.*

<http://www.mobiletechnews.com>, Nokia 66303G Megapixel phone, posted Jun. 14, 2004.

Nokia 6630 telephone, announced 2nd quarter 2004, [online], [retrieved on Sep. 29, 2006]. Retrieved from Internet, <http://www.gsmarena.com>.

Bird S580 telephone, announced 1st quarter 2005, [online], [retrieved on Sep. 29, 2006]. Retrieved from Internet, <http://www.gsmarena.com>.

Alcatel OT-E157 Telephone, announced 1st quarter 2005, [online], [retrieved on Sep. 29, 2006]. Retrieved from Internet, <http://www.gsmarena.com>.

Siemens AX75 Telephone, announced 1st quarter 2005, [online], [retrieved on Sep. 29, 2006]. Retrieved from Internet, <http://www.gsmarena.com>.

Samsung X700 Telephone, announced 1st quarter 2005, [online], [retrieved on Sep. 29, 2006]. Retrieved from Internet, <http://www.gsmarena.com>.

* cited by examiner

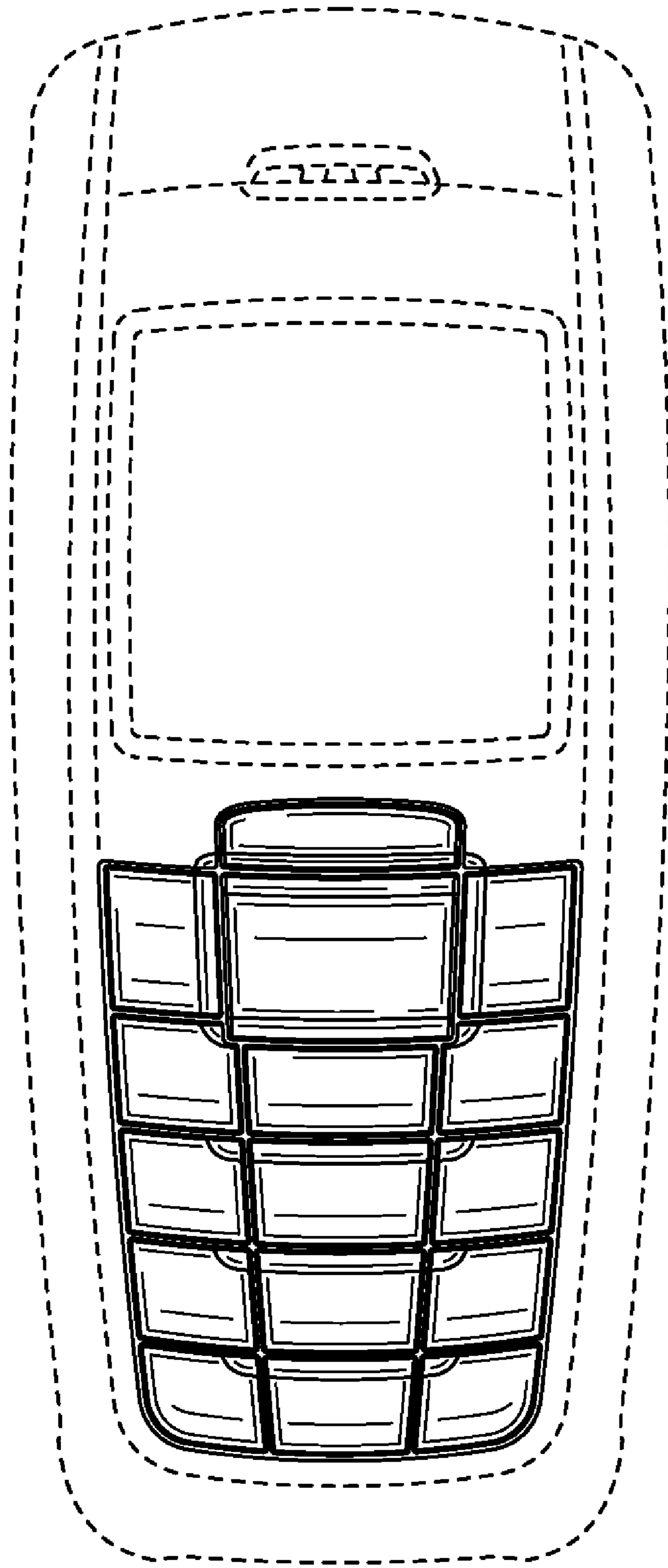


FIG. 1

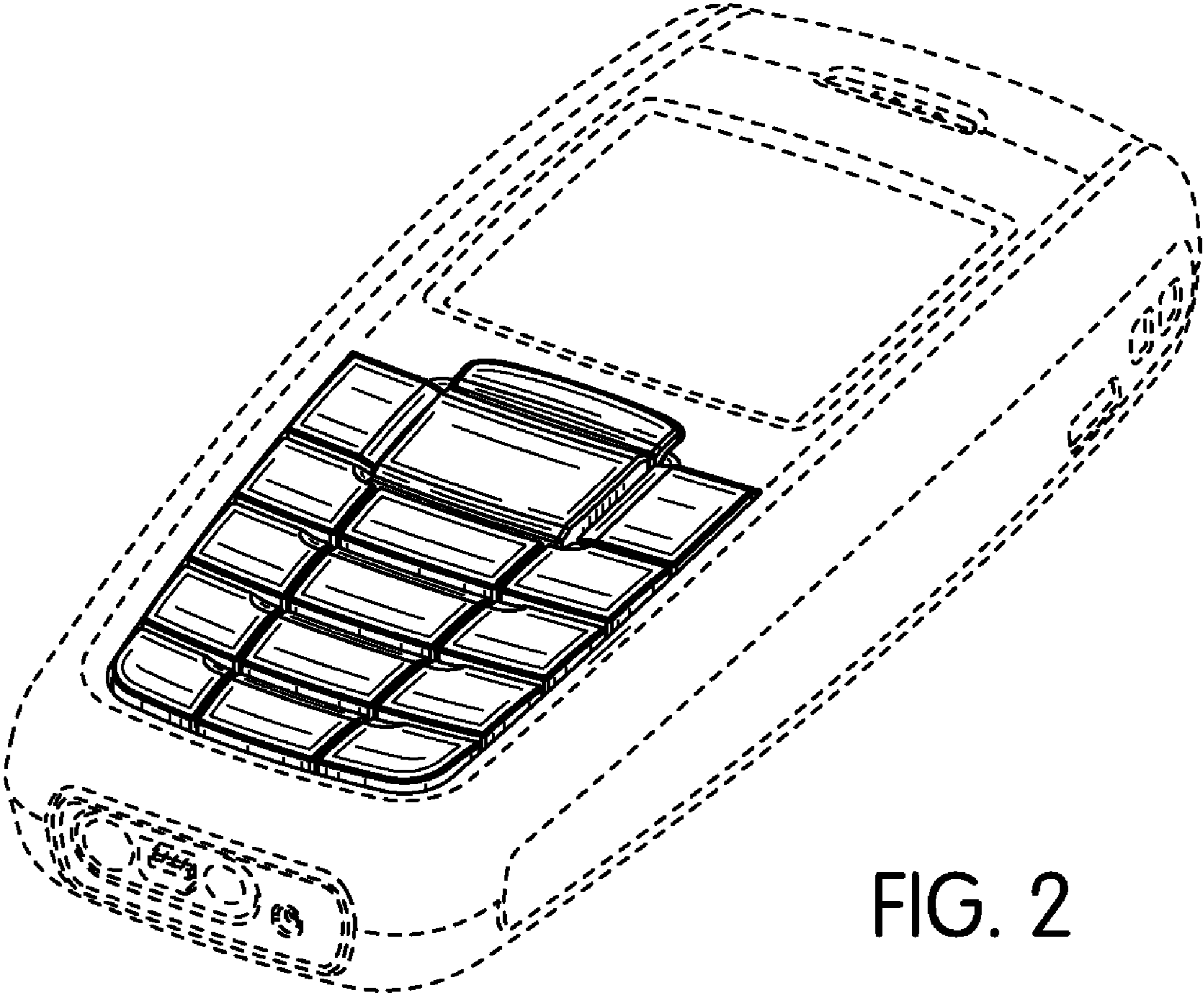


FIG. 2

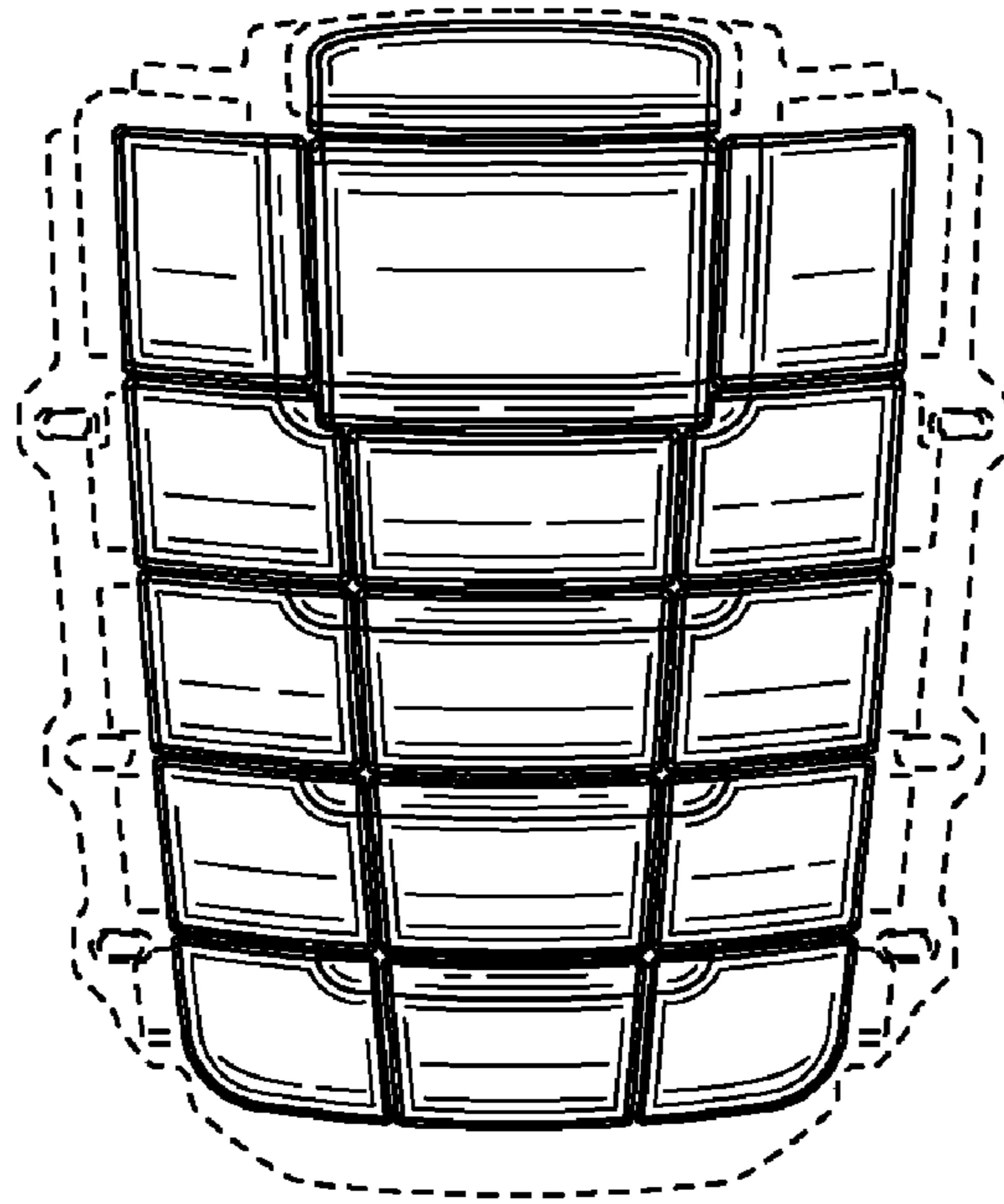


FIG. 3

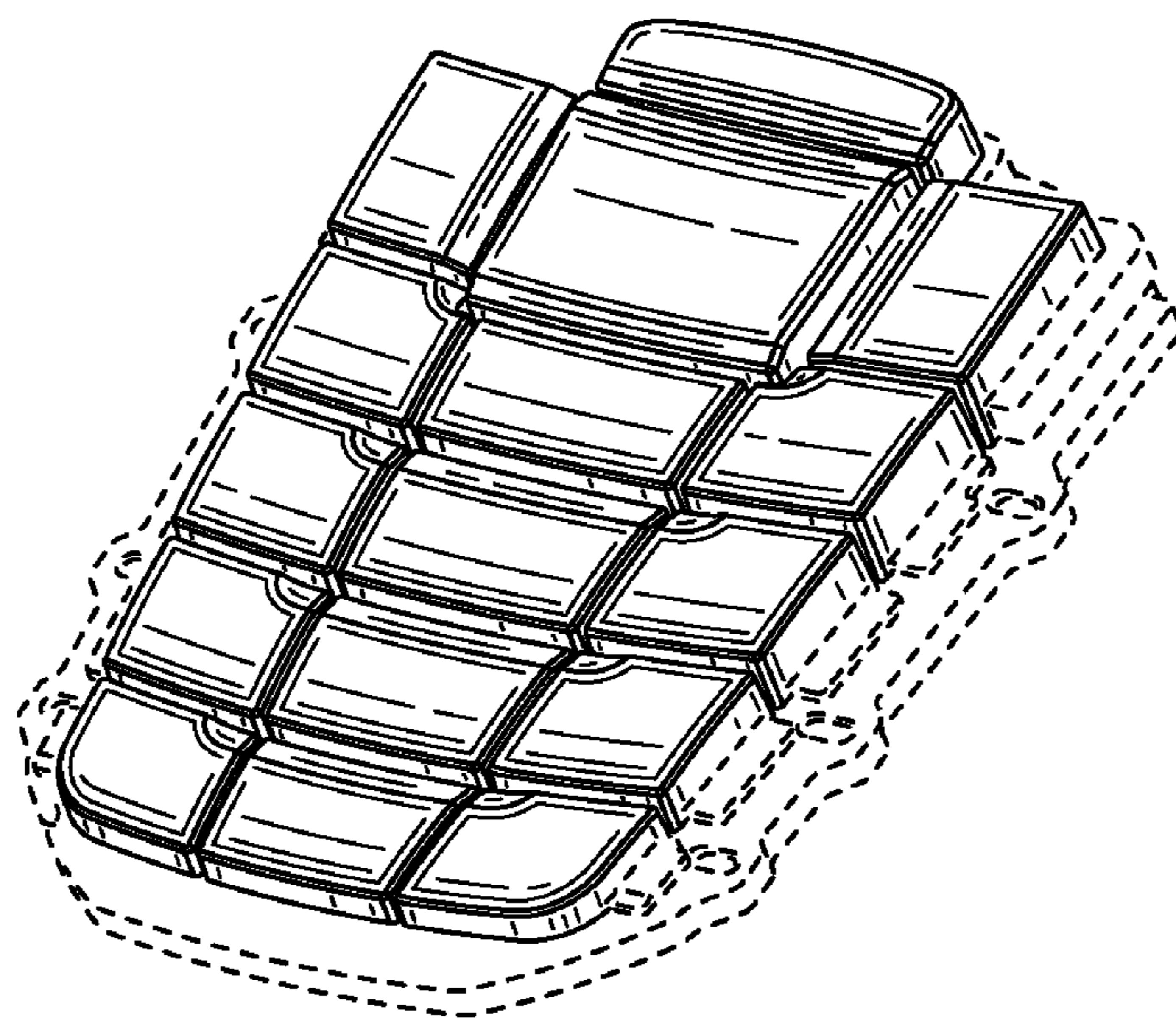


FIG. 4