



US00D564500S

(12) **United States Design Patent**
Wang

(10) **Patent No.:** **US D564,500 S**

(45) **Date of Patent:** **** Mar. 18, 2008**

(54) **COMMUNICATIONS HEADSET**

(75) Inventor: **Bowman Wang**, Ben Lomond, CA
(US)

(73) Assignee: **Plantronics, Inc.**, Santa Cruz, CA (US)

(**) Term: **14 Years**

(21) Appl. No.: **29/268,523**

(22) Filed: **Nov. 7, 2006**

(51) **LOC (8) Cl.** **14-01**

(52) **U.S. Cl.** **D14/223; D14/205**

(58) **Field of Classification Search** D14/188,
D14/192, 205-206, 223; 181/129-130; 381/370,
381/376-381; 379/430, 433; 455/351, 575.1,
455/575.6, 90.1-90.3; D24/174
See application file for complete search history.

(56) **References Cited**

U.S. PATENT DOCUMENTS

4,716,985 A * 1/1988 Haertl 181/130
D354,568 S * 1/1995 Araki et al. D24/174
D490,070 S * 5/2004 Lee D14/188
D509,210 S * 9/2005 Skulley et al. D14/205
D512,991 S * 12/2005 Yano D14/223

D520,497 S * 5/2006 Yang D14/223
D531,615 S * 11/2006 Lee D14/188
D533,540 S * 12/2006 Murray D14/205
D538,784 S * 3/2007 Eklund D14/205
D539,782 S * 4/2007 Lee D14/188
D550,658 S * 9/2007 Wang D14/223

* cited by examiner

Primary Examiner—Paula A. Greene

(74) *Attorney, Agent, or Firm*—Michael Rodriguez

(57) **CLAIM**

The ornamental design for a communications headset, as shown and described.

DESCRIPTION

FIG. 1 is a lower front right perspective view of the communications headset showing our new design;

FIG. 2 is an upper front right perspective view thereof;

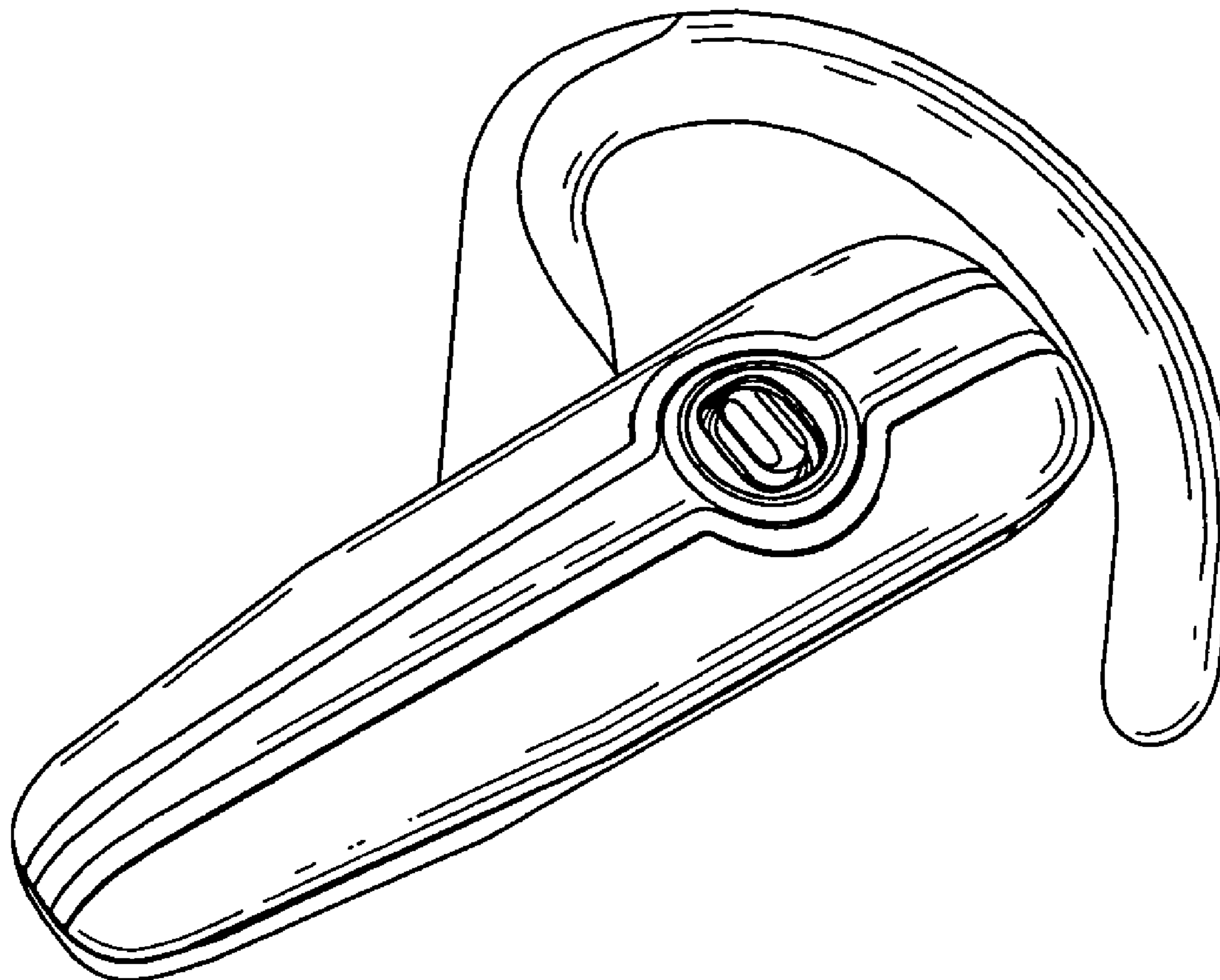
FIG. 3 is a front elevation view thereof;

FIG. 4 is a rear elevation view thereof;

FIG. 5 is a right side elevation view thereof; and,

FIG. 6 is a bottom plain view thereof.

1 Claim, 3 Drawing Sheets



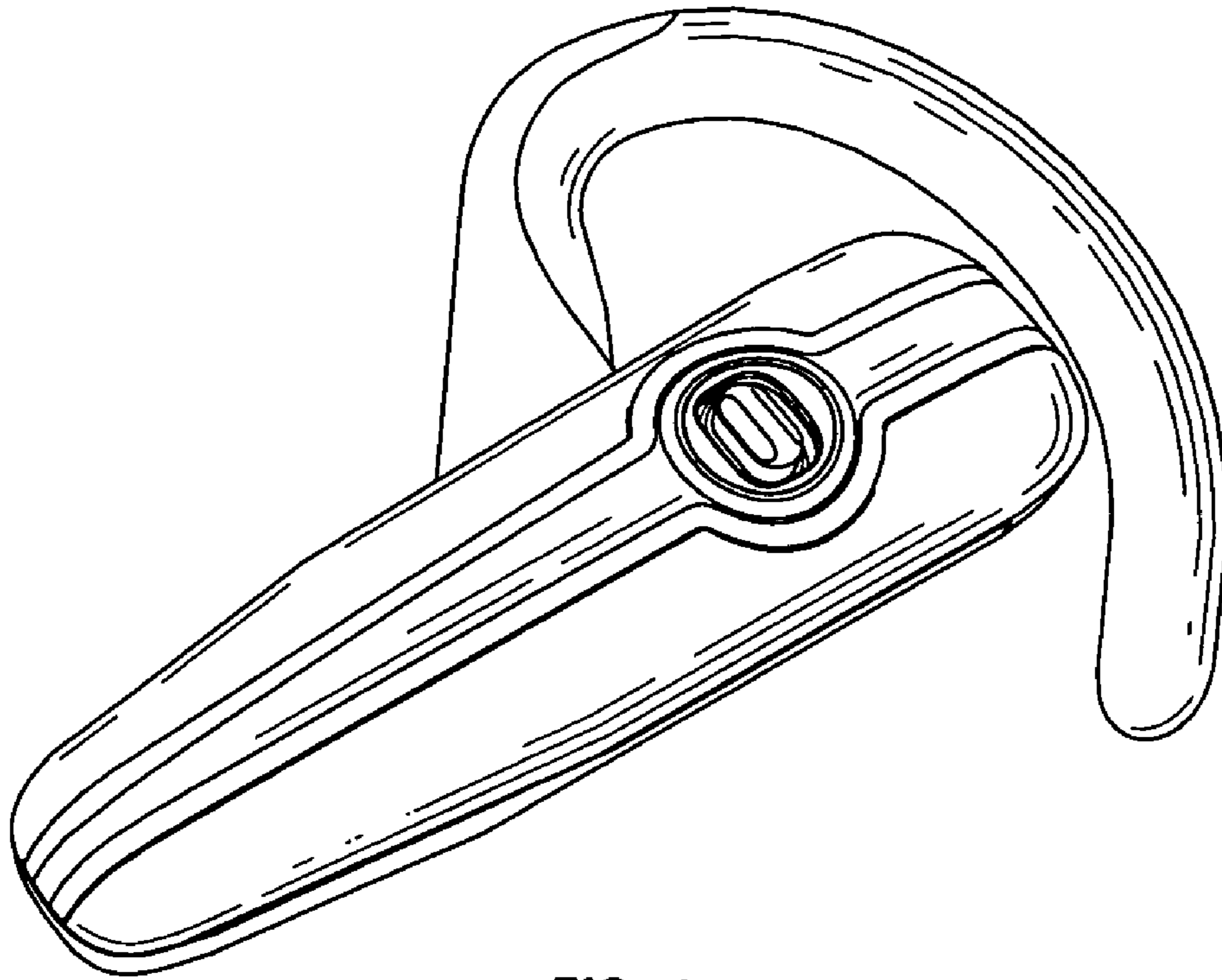


FIG. 1

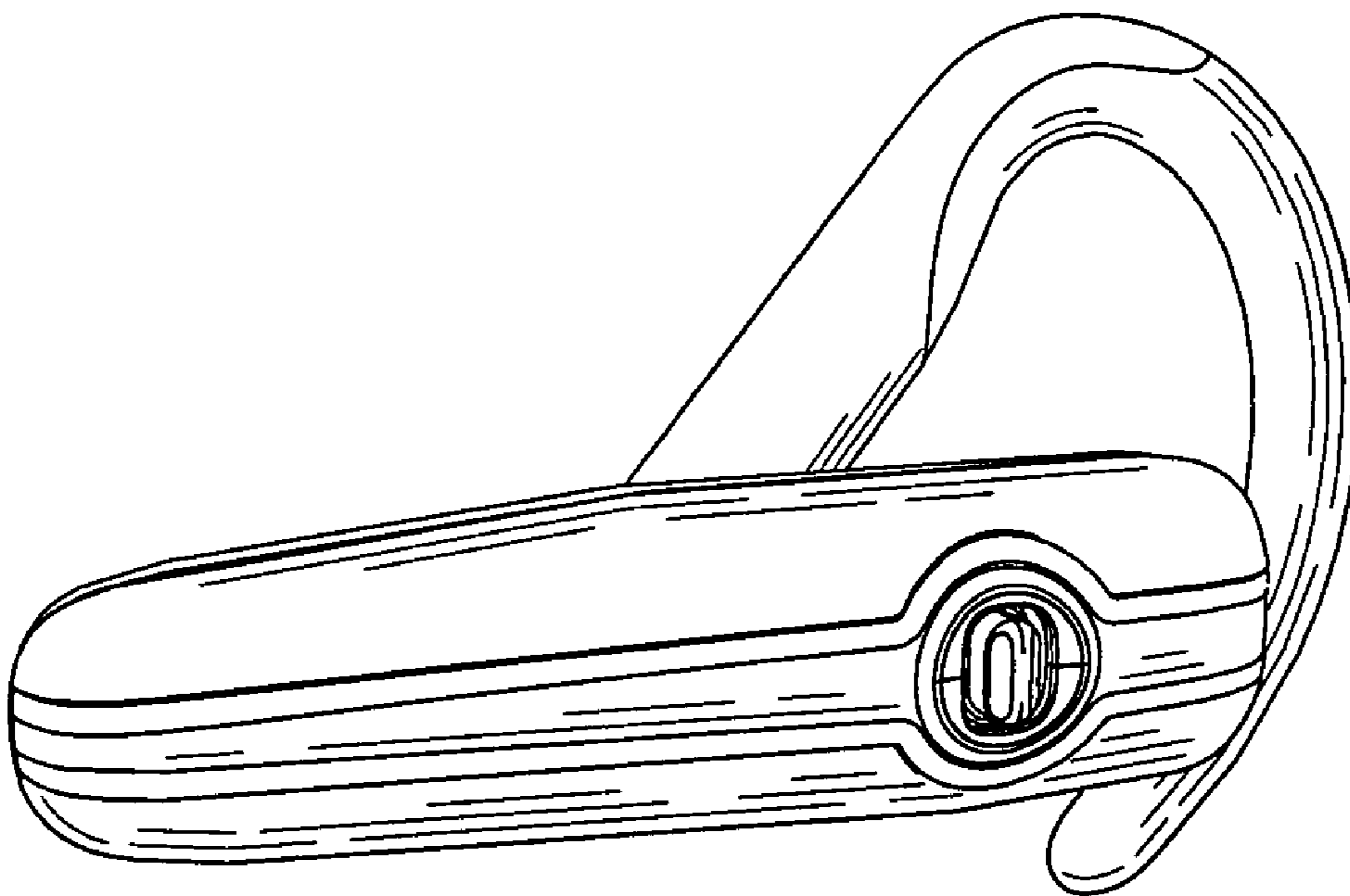


FIG. 2

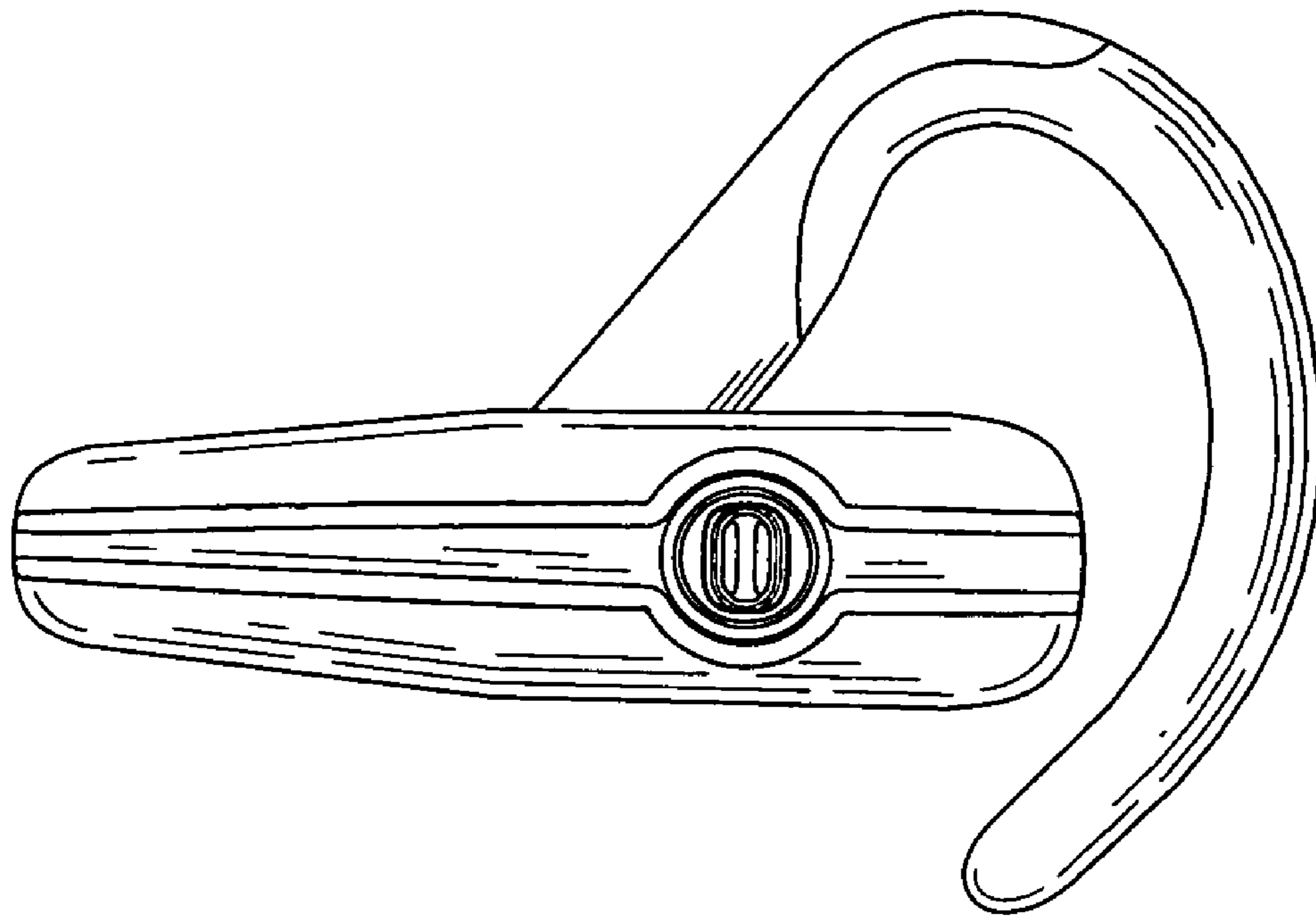


FIG. 3

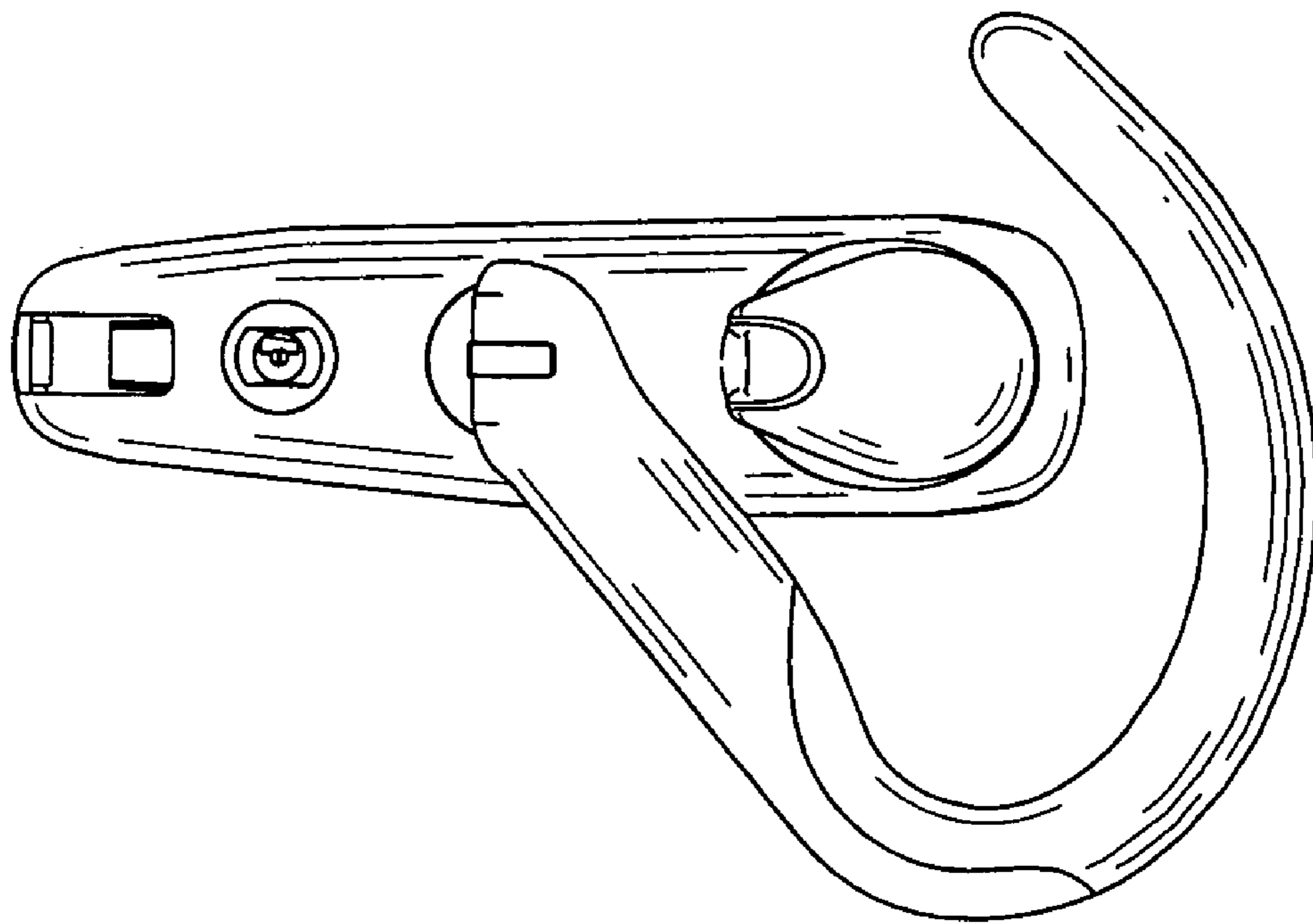


FIG. 4

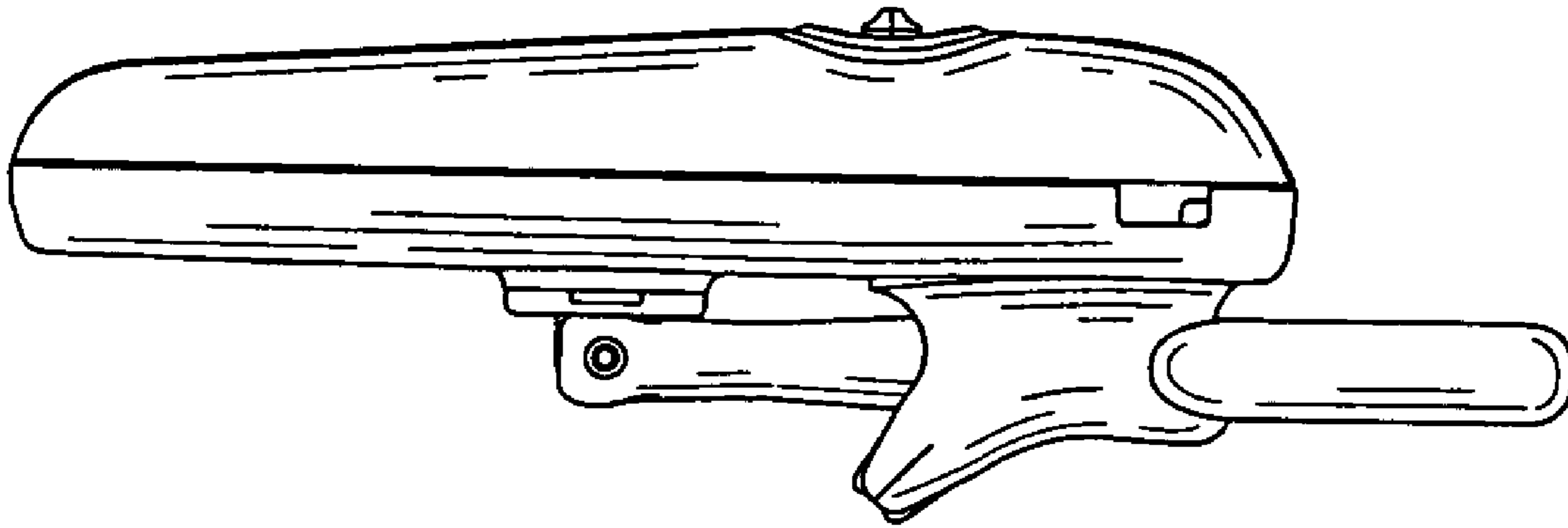


FIG. 5

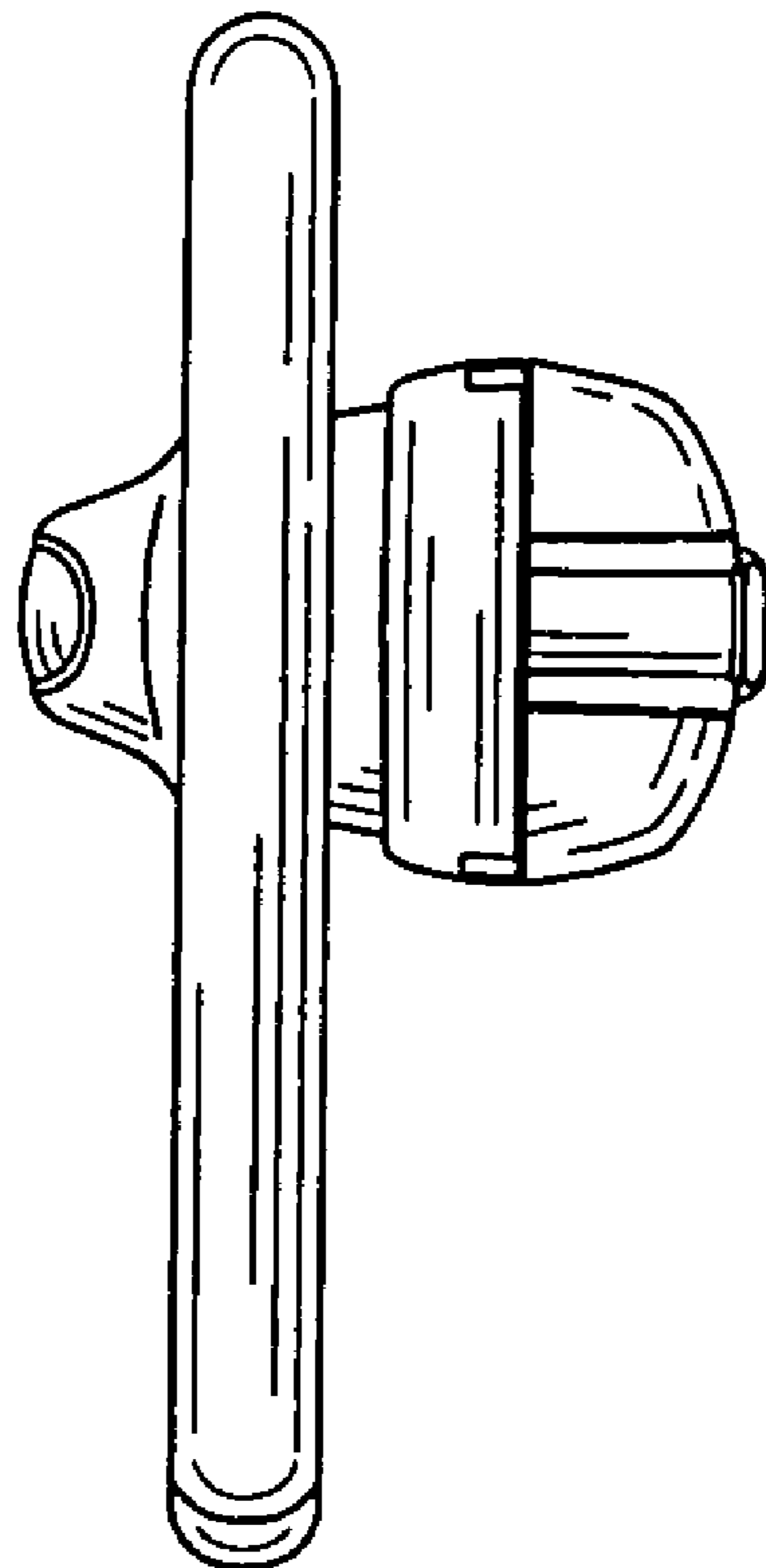


FIG. 6