



US00D564495S

(12) **United States Design Patent**
Sasaki

(10) **Patent No.:** **US D564,495 S**
(45) **Date of Patent:** **** Mar. 18, 2008**

(54) **EARPHONE**

(75) Inventor: **Yuzuko Sasaki**, Tokyo (JP)

(73) Assignee: **Victor Company of Japan, Limited**,
Yokohama-shi, Kanagawa (JP)

(**) Term: **14 Years**

(21) Appl. No.: **29/271,646**

(22) Filed: **Jan. 24, 2007**

(30) **Foreign Application Priority Data**

Jul. 26, 2006 (JP) 2006-019700

(51) **LOC (8) Cl.** **14-01**

(52) **U.S. Cl.** **D14/205; D14/223**

(58) **Field of Classification Search** D14/205–206,
D14/223; D24/106, 174; 181/129–131,
181/135; 379/430, 433; 381/322, 328, 370–371,
381/375, 380–381; 128/864, 866, 867; 2/209
See application file for complete search history.

(56) **References Cited**

U.S. PATENT DOCUMENTS

968,008 A * 8/1910 Waller 128/866
2,545,731 A * 3/1951 French 181/135
5,949,896 A * 9/1999 Nageno et al. 381/328
6,056,082 A * 5/2000 Lindgren et al. 181/130
6,123,168 A * 9/2000 Berg et al. 181/129
D431,553 S * 10/2000 Suzuki D14/223

D487,077 S * 2/2004 Obata D14/223
D542,782 S * 5/2007 Pena Angarita D14/223
D543,968 S * 6/2007 Wong D14/205
D550,657 S * 9/2007 Gan et al. D14/223

* cited by examiner

Primary Examiner—Paula A. Greene

(74) *Attorney, Agent, or Firm*—The Nath Law Group; Jerald
L. Meyer; Derek Richmond

(57) **CLAIM**

The ornamental design for an earphone, as shown and
described.

DESCRIPTION

FIG. 1 is a front perspective view of an earphone;

FIG. 2 is a rear perspective view thereof;

FIG. 3 is a front view thereof;

FIG. 4 is a rear view thereof;

FIG. 5 is a top plan view thereof;

FIG. 6 is a bottom plan view thereof; and,

FIG. 7 is a right side view thereof, a left side view being a
mirror image of a right side view.

The broken line showing on the drawing disclosure is for
illustrative purposes only and forms no part of the claimed
design.

1 Claim, 4 Drawing Sheets

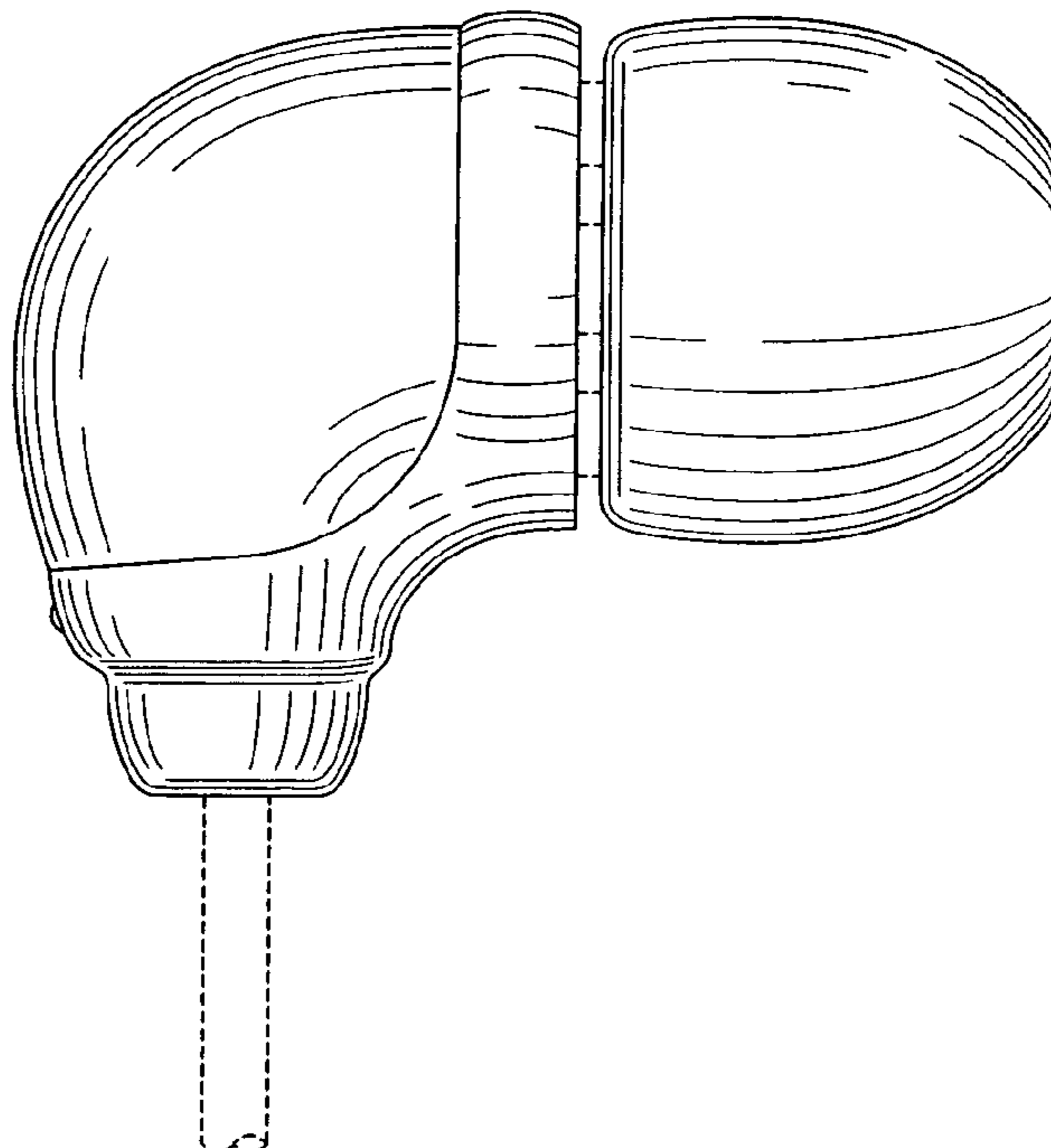
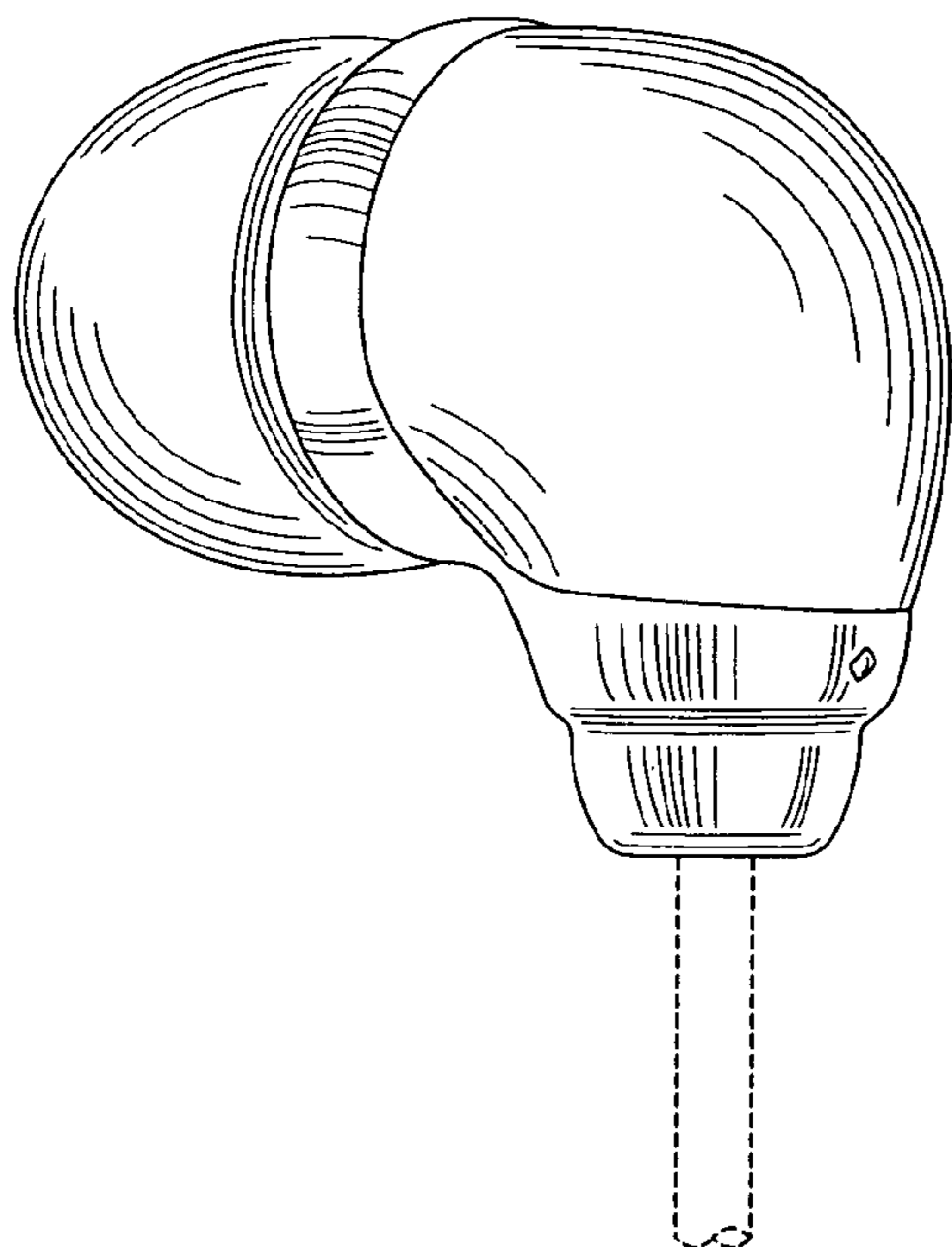


Fig.1

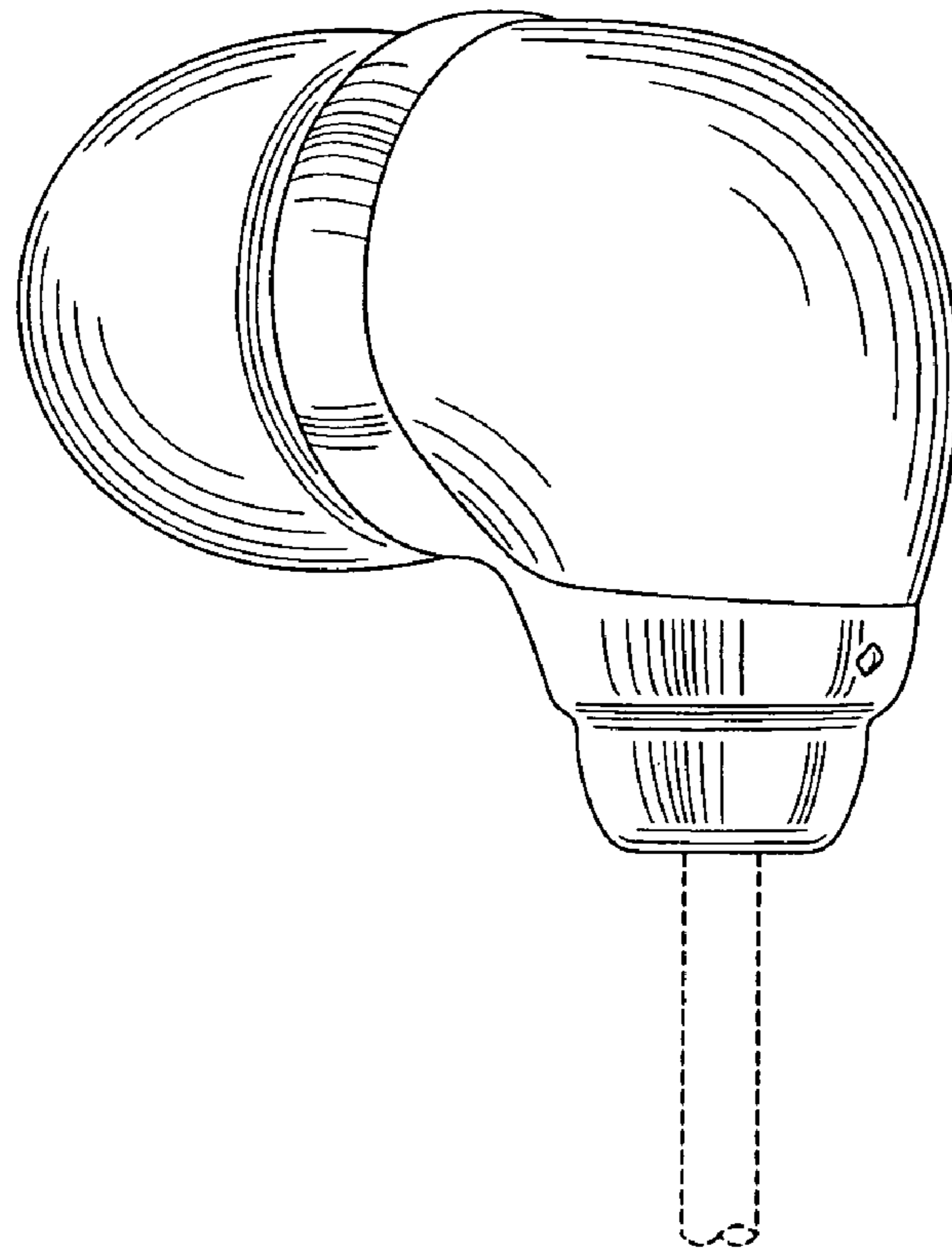


Fig.2

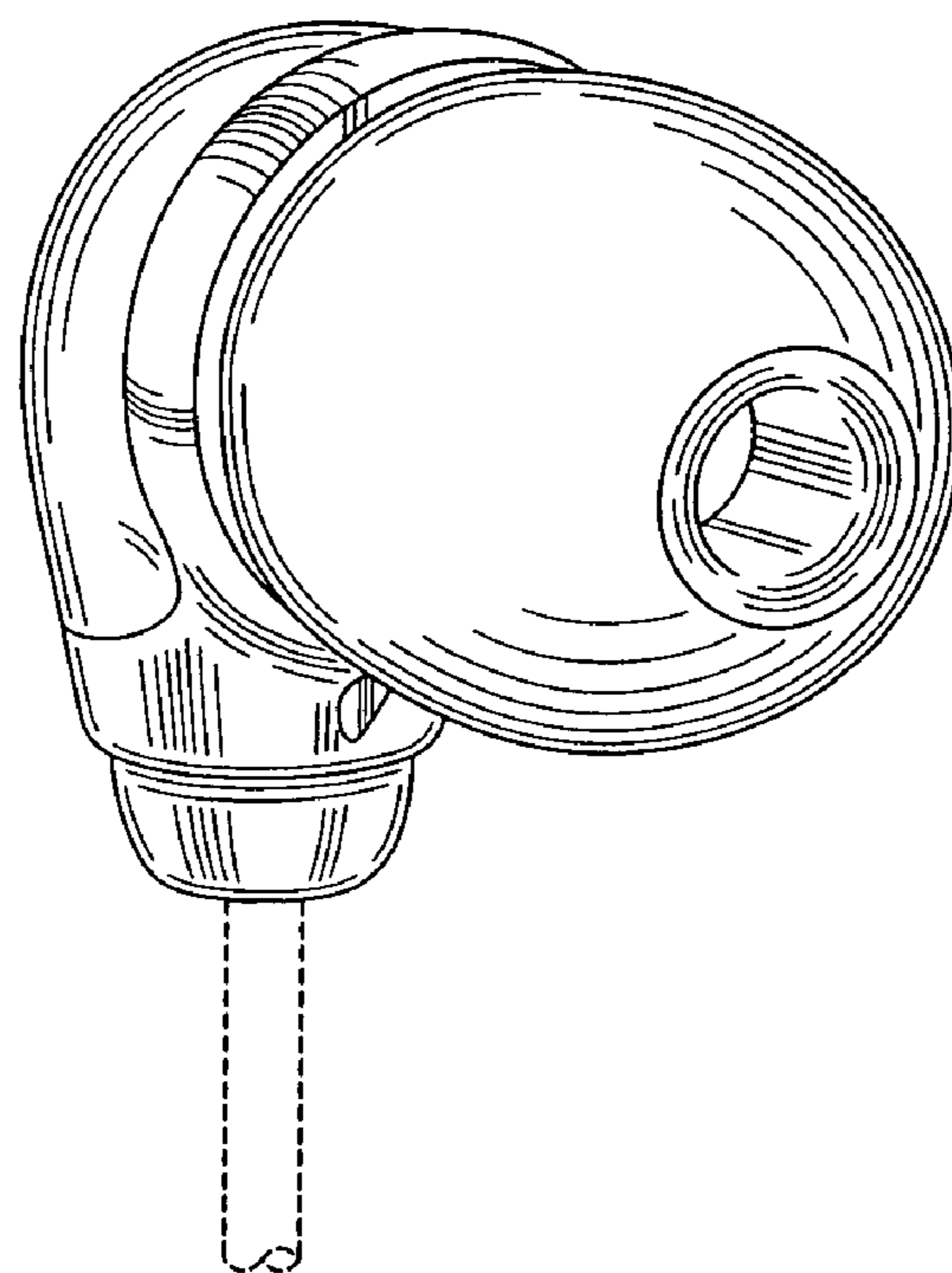


Fig.3

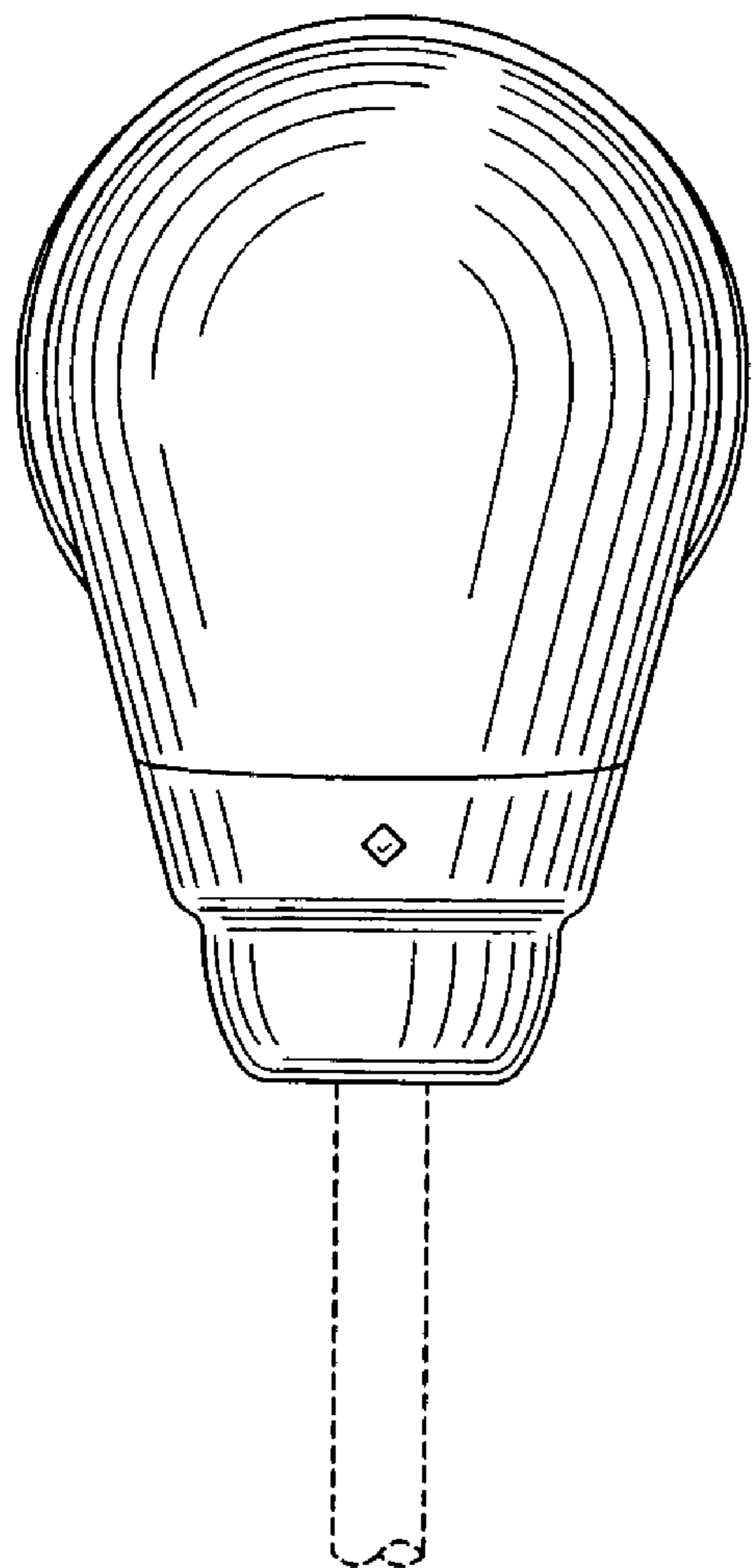


Fig.4

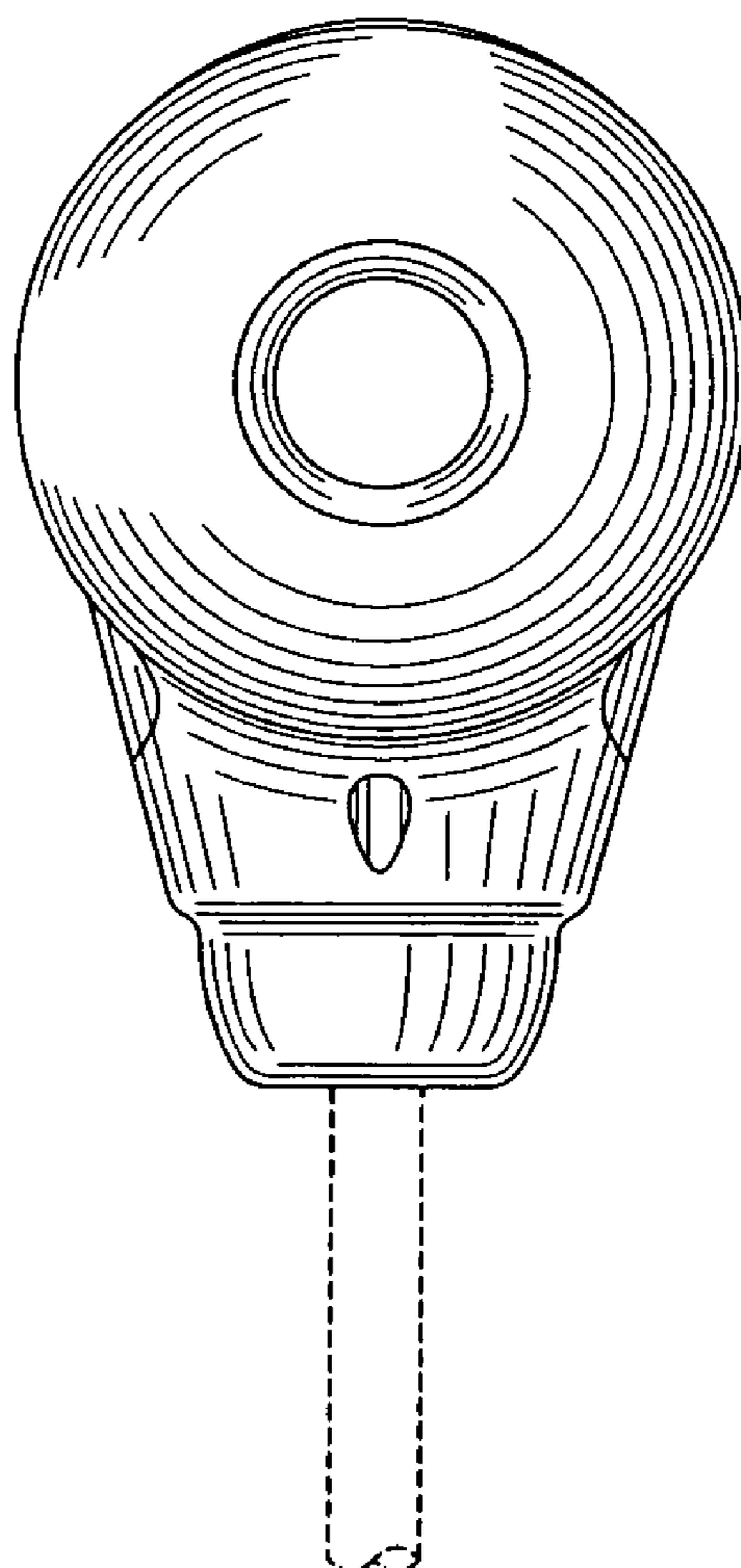


Fig.5

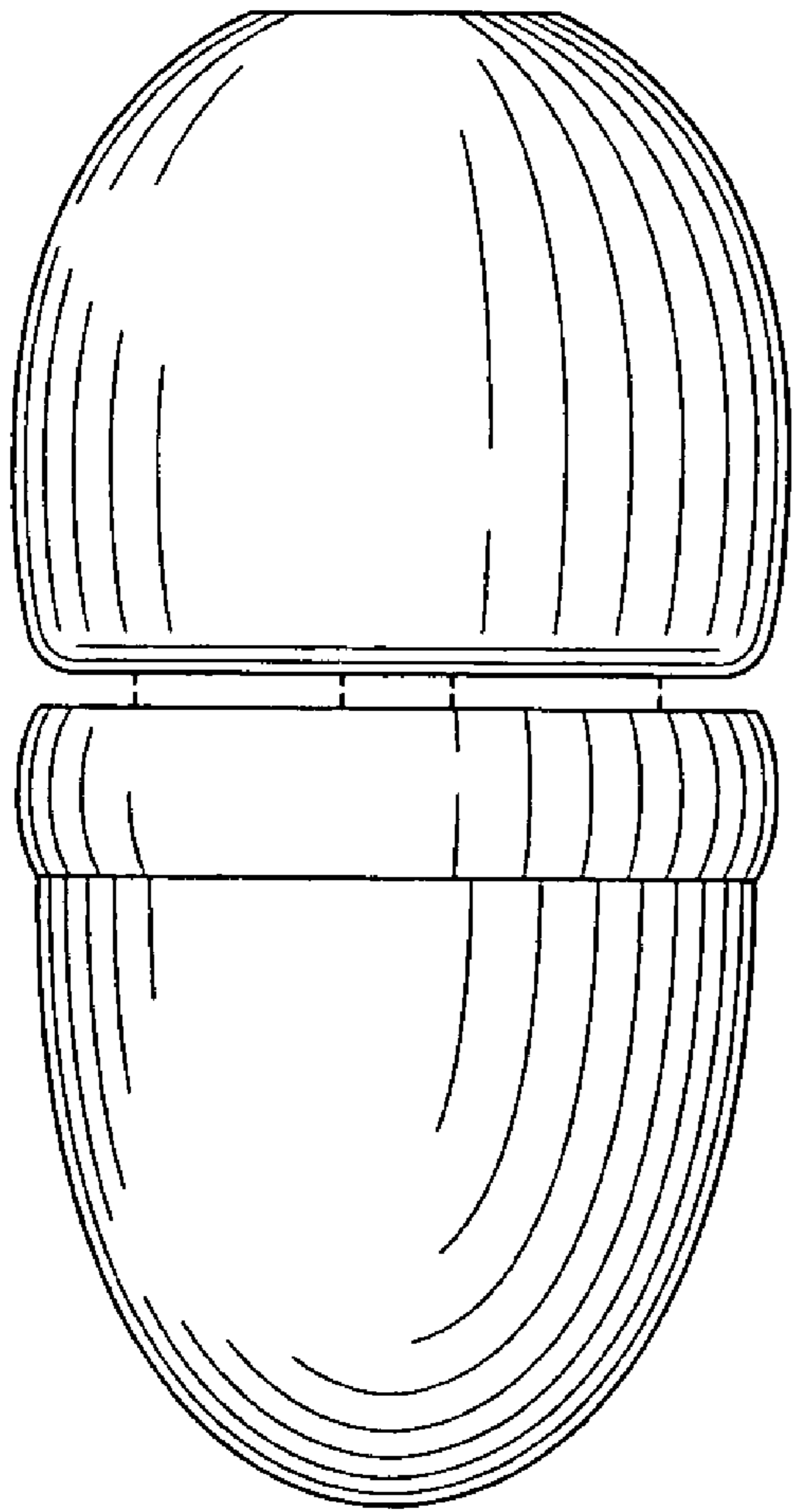


Fig.6

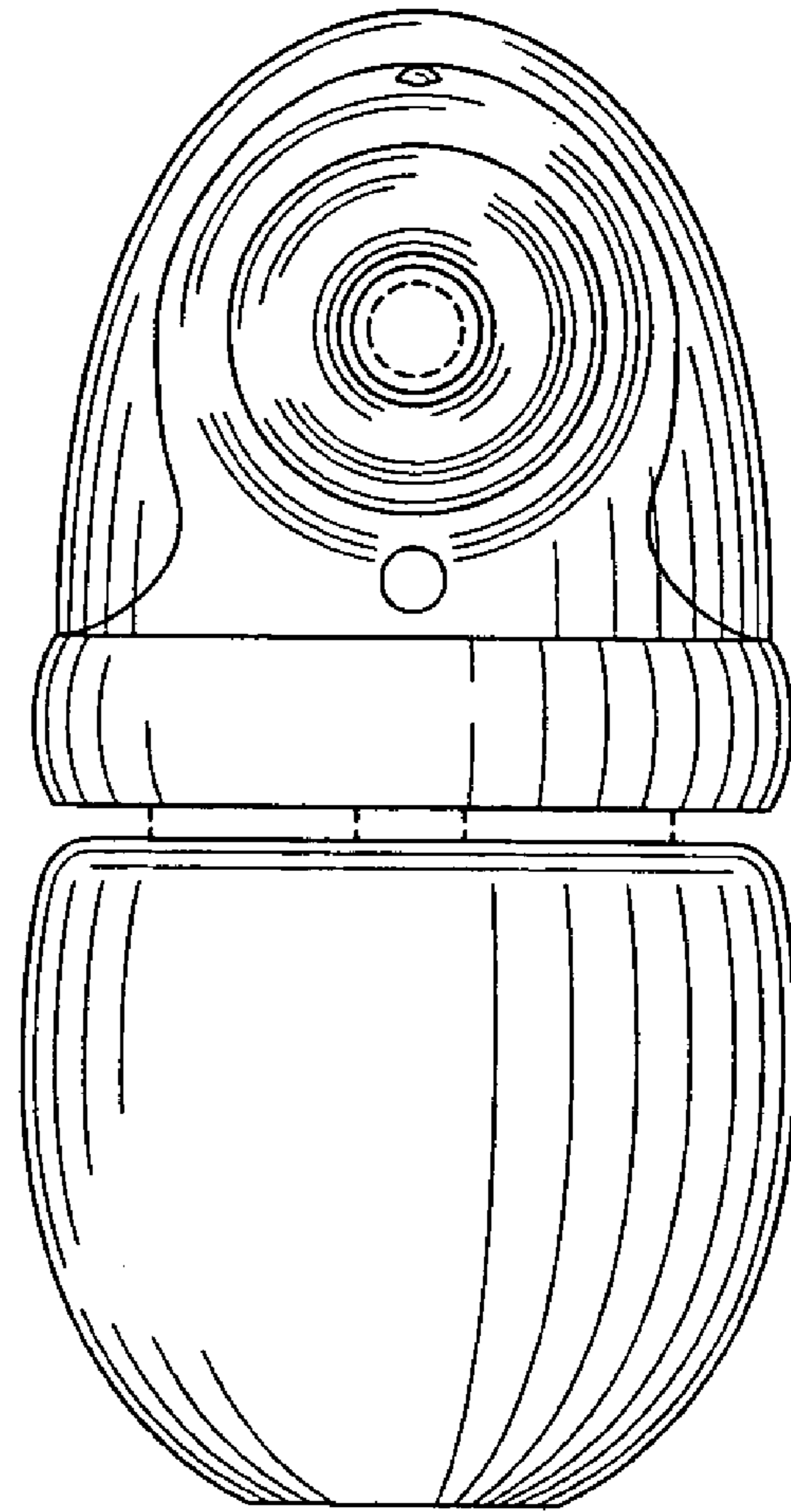


Fig.7

