



US00D564493S

(12) **United States Design Patent**  
**Tejima**

(10) **Patent No.:** **US D564,493 S**  
(45) **Date of Patent:** **\*\* Mar. 18, 2008**

(54) **COMBINED DISC RECORDER AND HARD DISC DRIVE**

D530,689 S 10/2006 Ishibashi  
D531,151 S 10/2006 Yoshida  
D531,590 S 11/2006 Maeyama

(75) Inventor: **Keisuke Tejima**, Tokyo (JP)

**FOREIGN PATENT DOCUMENTS**

(73) Assignee: **Sony Corporation**, Tokyo (JP)

CN 3550873 S 8/2005  
JP D1120307 S 9/2001  
JP D1183527 S 9/2003  
JP D1200280 S 3/2004

(\*\*) Term: **14 Years**

(21) Appl. No.: **29/270,574**

\* cited by examiner

(22) Filed: **Dec. 28, 2006**

*Primary Examiner*—Nanda Bondade  
(74) *Attorney, Agent, or Firm*—Rader, Fishman & Grauer, PLLC

(30) **Foreign Application Priority Data**

Sep. 8, 2006 (JP) ..... D2006-024051

(57) **CLAIM**

(51) **LOC (8) Cl.** ..... **14-01**

The ornamental design for a combined disc recorder and hard disc drive, as shown.

(52) **U.S. Cl.** ..... **D14/168; D14/496**

(58) **Field of Classification Search** ..... D14/135-136,  
D14/156-157, 167-168, 496, 198, 188, 217,  
D14/257, 258, 445; 360/99.02, 99.07; 369/75.11,  
369/75.21, 77.21, 77.11; 720/612, 619, 647,  
720/655; 455/344, 347-351

**DESCRIPTION**

See application file for complete search history.

FIG. 1 is a perspective view of a combined disc recorder and hard disc drive showing my new design;  
FIG. 2 is a front elevational view thereof;  
FIG. 3 is a rear elevational view thereof;  
FIG. 4 is a left side elevational view thereof;  
FIG. 5 is a right side elevational view thereof;  
FIG. 6 is a top plan view thereof; and,  
FIG. 7 is a bottom plan view thereof.

(56) **References Cited**

**U.S. PATENT DOCUMENTS**

D466,876 S \* 12/2002 Usami et al. .... D14/136  
D483,728 S \* 12/2003 Kim ..... D14/136  
D494,150 S \* 8/2004 Wu ..... D14/136  
D502,696 S \* 3/2005 Ishibashi ..... D14/198  
D509,811 S \* 9/2005 Usami et al. .... D14/136

**1 Claim, 7 Drawing Sheets**

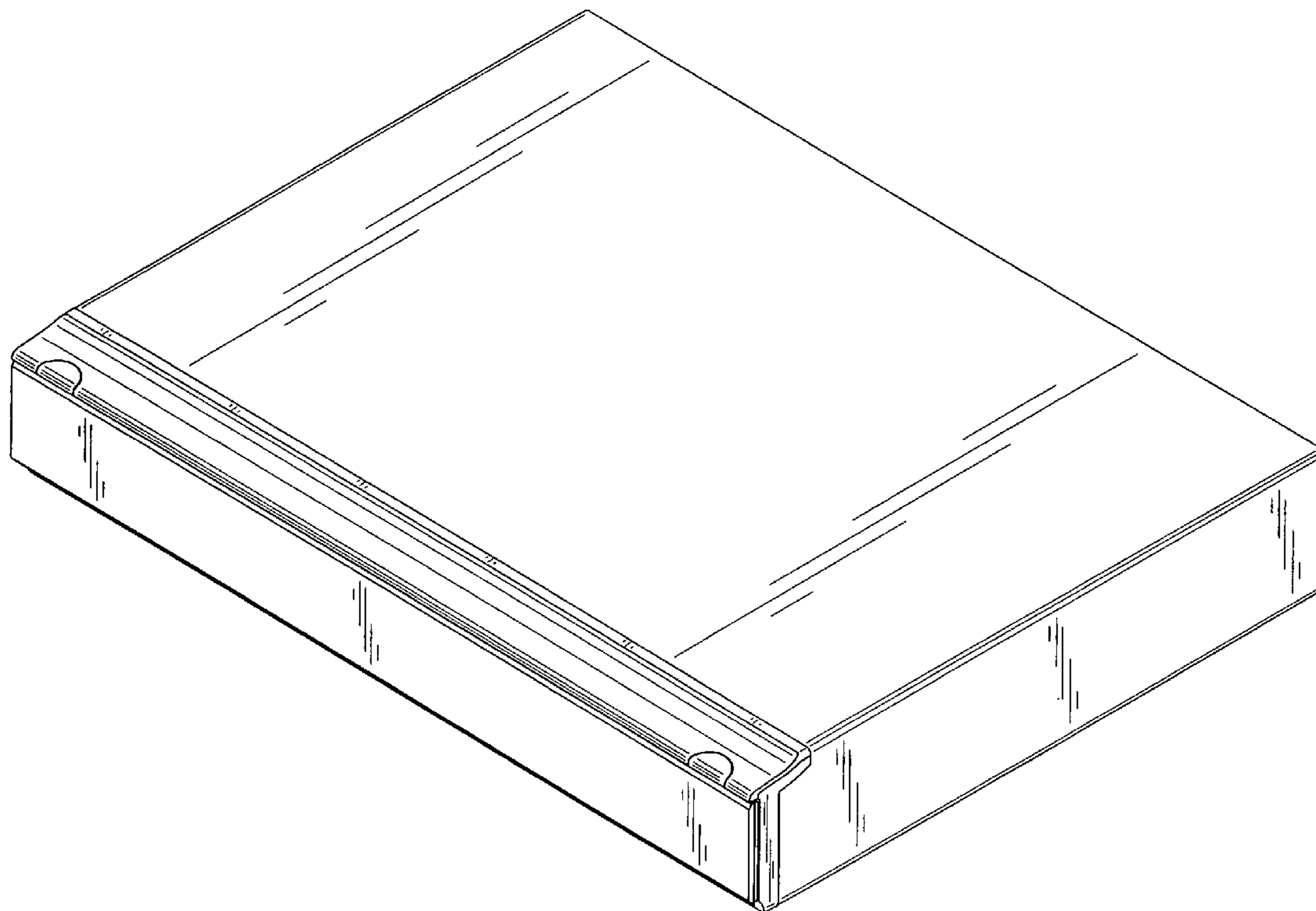


Fig. 1

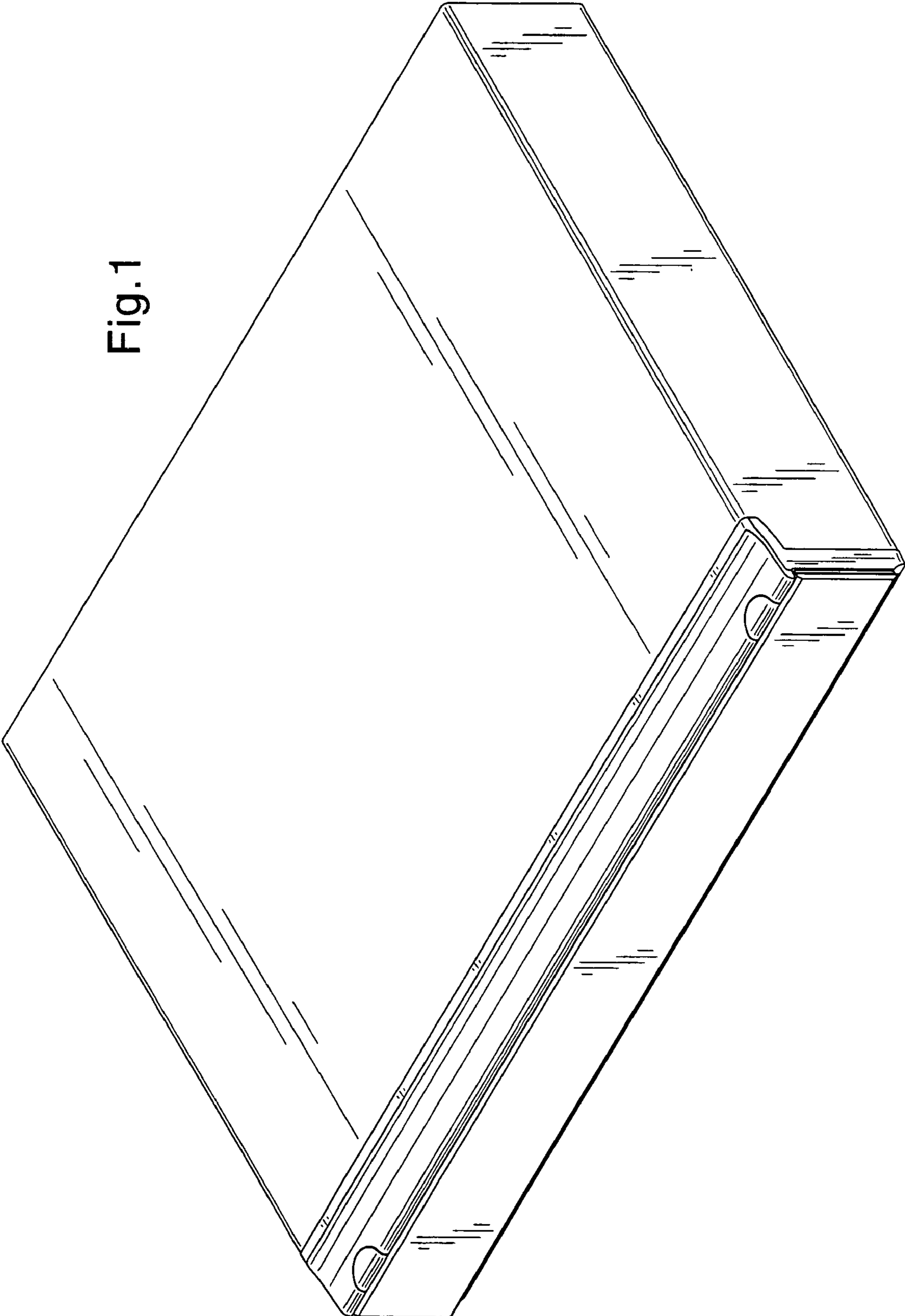


Fig.2

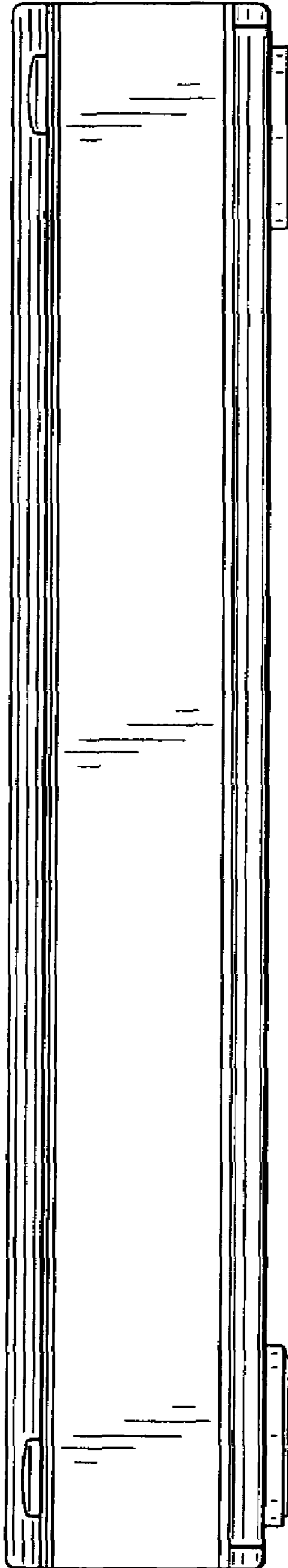


Fig. 3

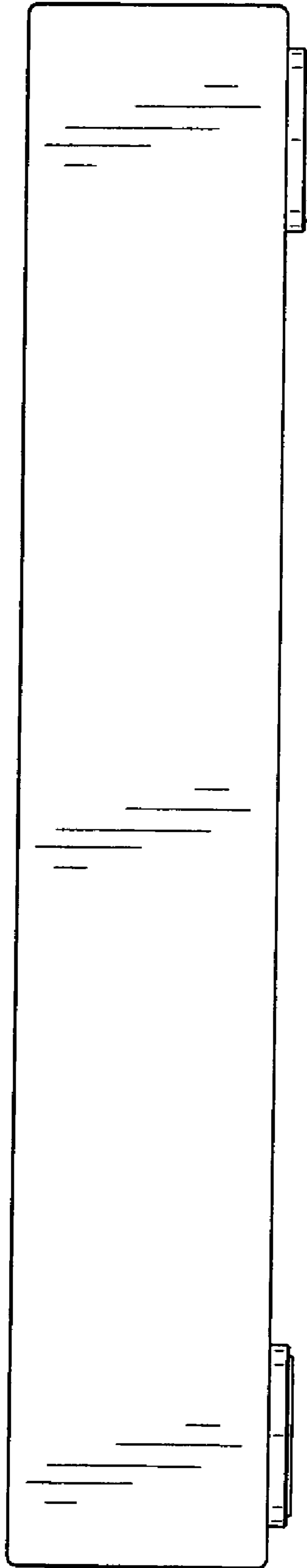


Fig. 4

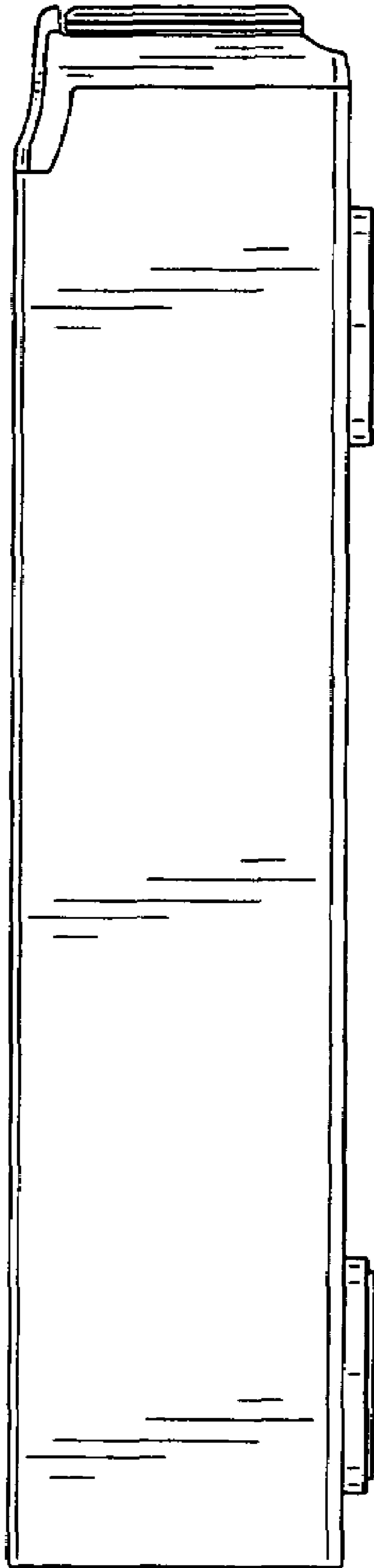


Fig. 5

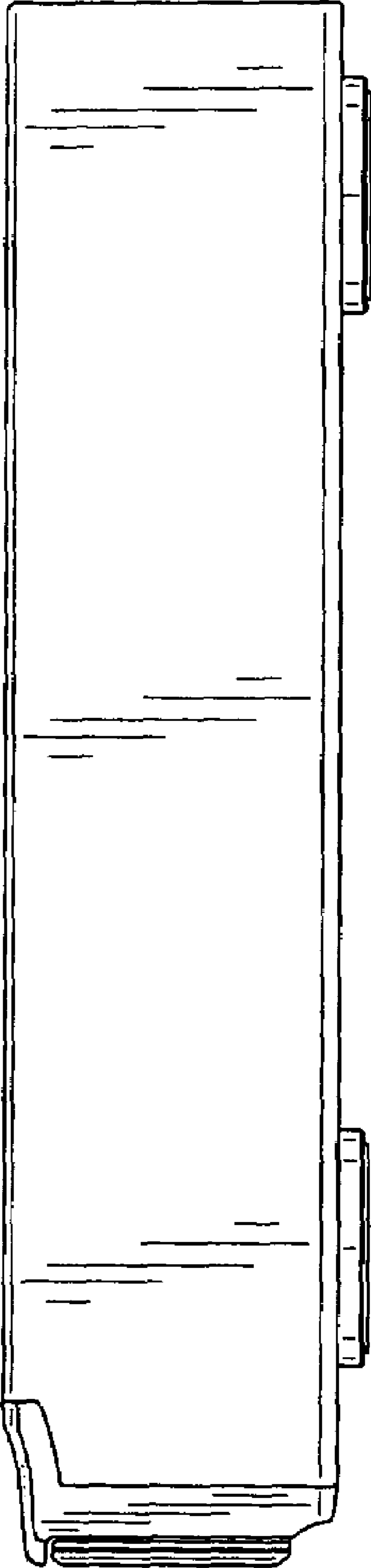


Fig.6

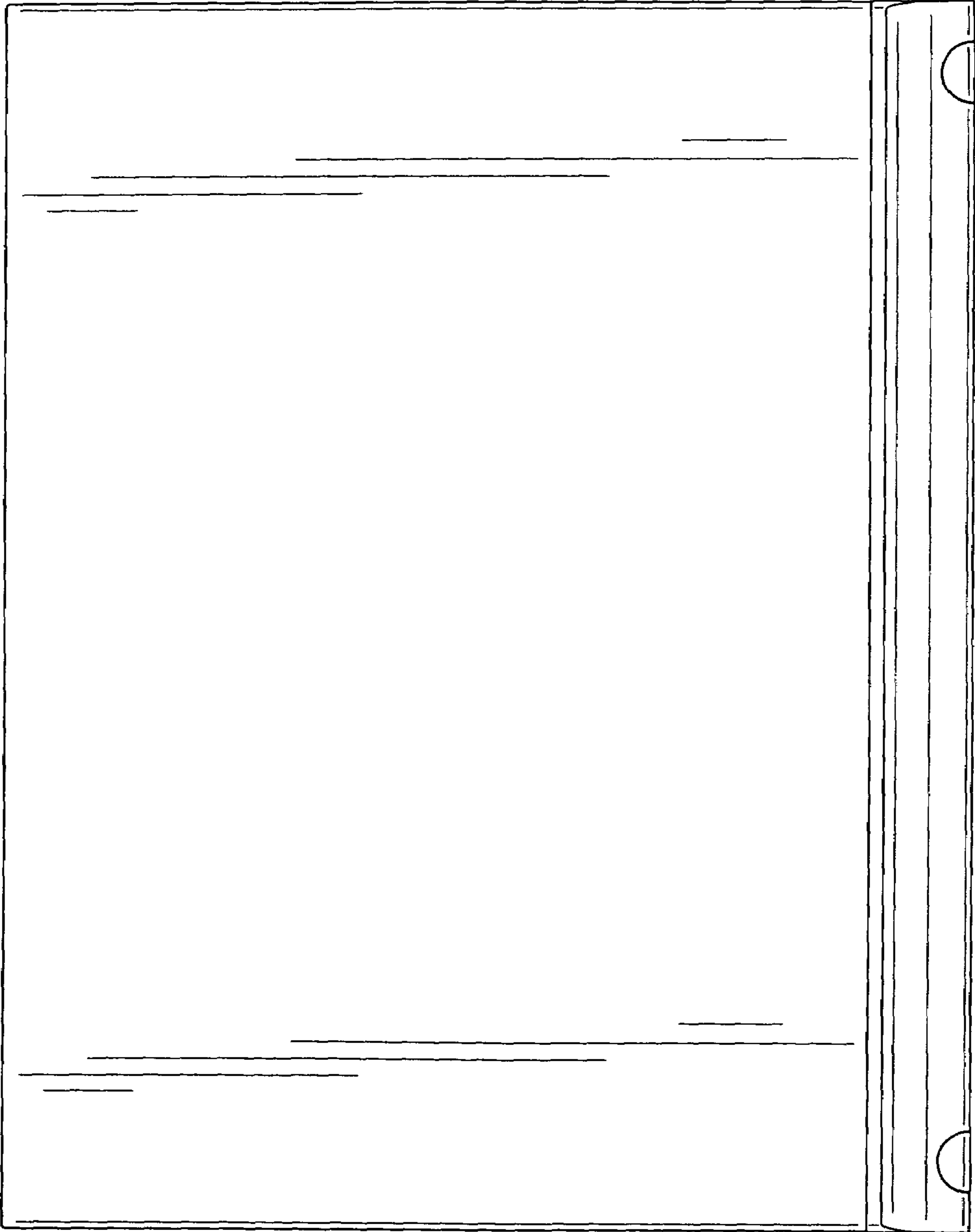


Fig. 7

