

US00D564478S

(12) **United States Design Patent**
Ohno

(10) **Patent No.: US D564,478 S**
(45) **Date of Patent: ** Mar. 18, 2008**

(54) **DISC RECORDER**

D530,690 S * 10/2006 Takahashi D14/136
D532,781 S 11/2006 Ohno

(75) Inventor: **Shigeki Ohno**, Tokyo (JP)

FOREIGN PATENT DOCUMENTS

(73) Assignee: **Sony Corporation**, Tokyo (JP)

JP D1178465 S 7/2003
JP D1179315 S 7/2003

(**) Term: **14 Years**

* cited by examiner

(21) Appl. No.: **29/273,160**

Primary Examiner—Nanda Bondade

(22) Filed: **Feb. 28, 2007**

(74) *Attorney, Agent, or Firm*—Radar, Fishman & Grauer, PLLC

(51) **LOC (8) Cl.** **14-01**

(52) **U.S. Cl.** **D14/136**

(58) **Field of Classification Search** D14/135–136,
D14/156–157, 167–168, 496, 188, 217, 257,
D14/258, 445; 360/99.02, 99.07; 369/75.11,
369/75.21, 77.21, 77.11; 720/612, 619, 647,
720/655; 455/344, 347–351

See application file for complete search history.

(57) **CLAIM**

The ornamental design for a disc recorder, as shown.

(56) **References Cited**

U.S. PATENT DOCUMENTS

5,852,594 A * 12/1998 Kaise et al. 720/647
D431,033 S 9/2000 Takahashi et al.
D501,193 S 1/2005 Tsuge
D502,696 S 3/2005 Ishibashi
D504,878 S 5/2005 Oikawa
D505,931 S 6/2005 Oikawa

DESCRIPTION

FIG. 1 is a perspective view of a disc recorder showing my new design;

FIG. 2 is a front elevational view thereof;

FIG. 3 is a rear elevational view thereof;

FIG. 4 is a left side elevational view thereof;

FIG. 5 is a right side elevational view thereof;

FIG. 6 is a top plan view thereof; and,

FIG. 7 is a bottom plan view thereof.

1 Claim, 7 Drawing Sheets

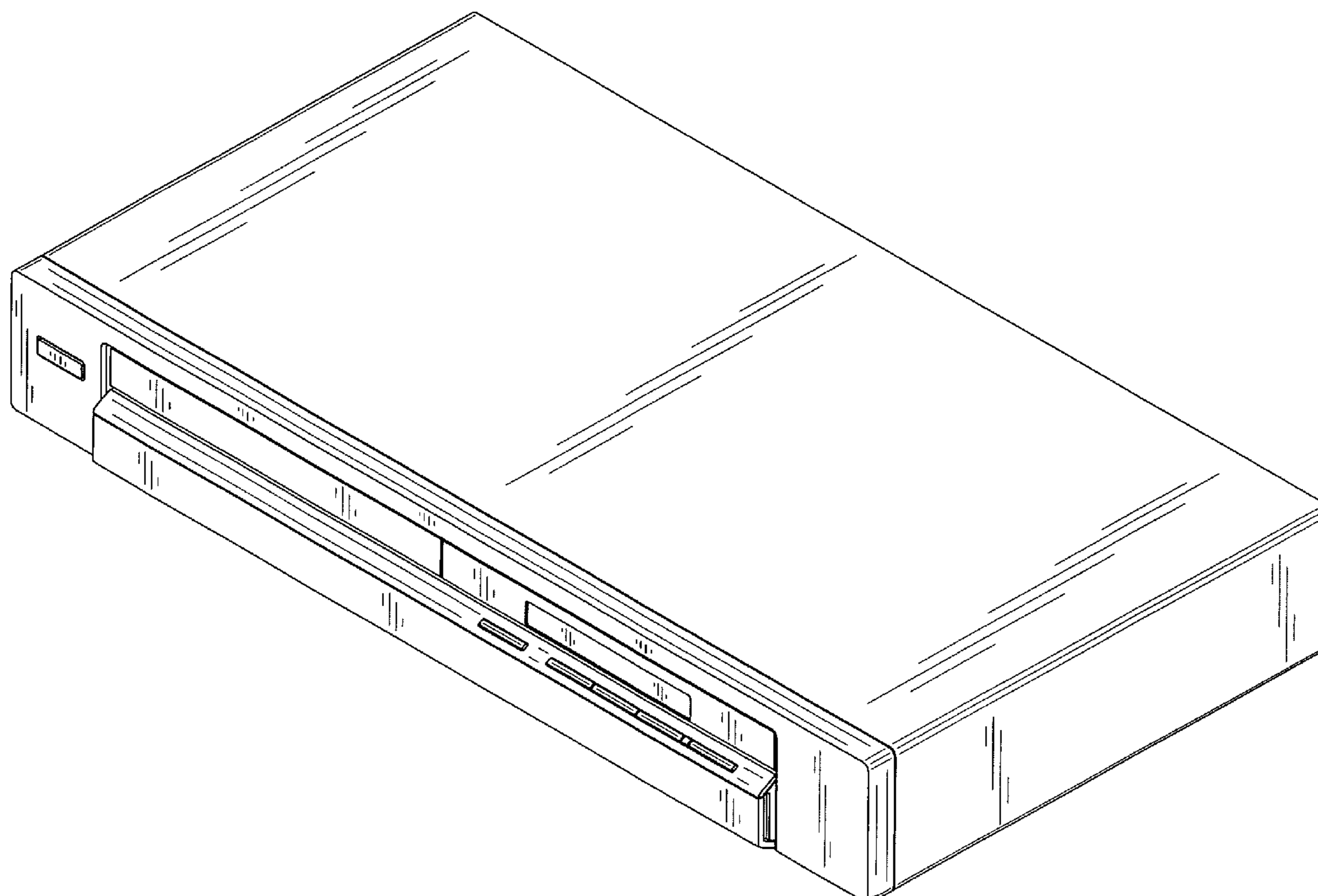


Fig.1

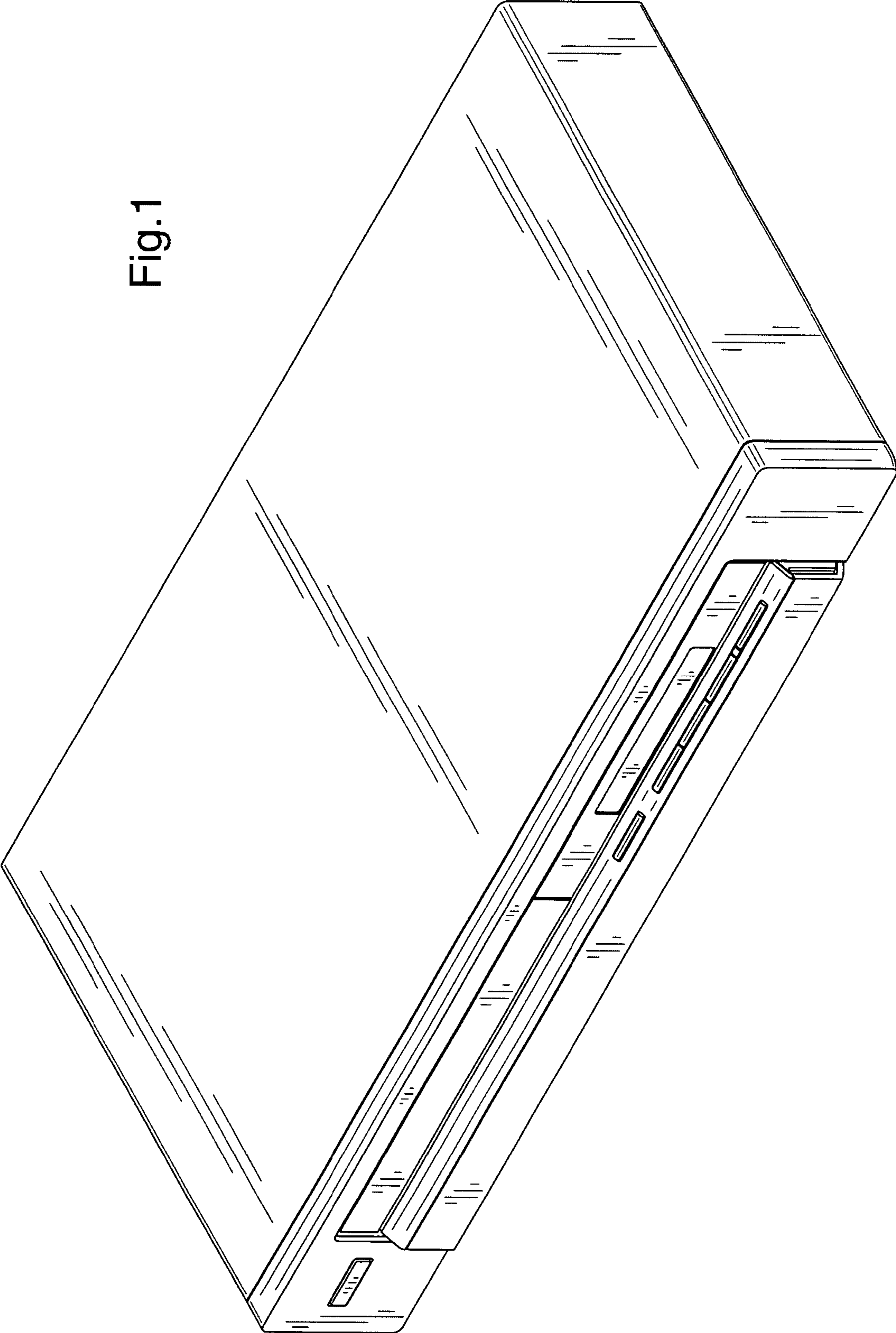


Fig.2

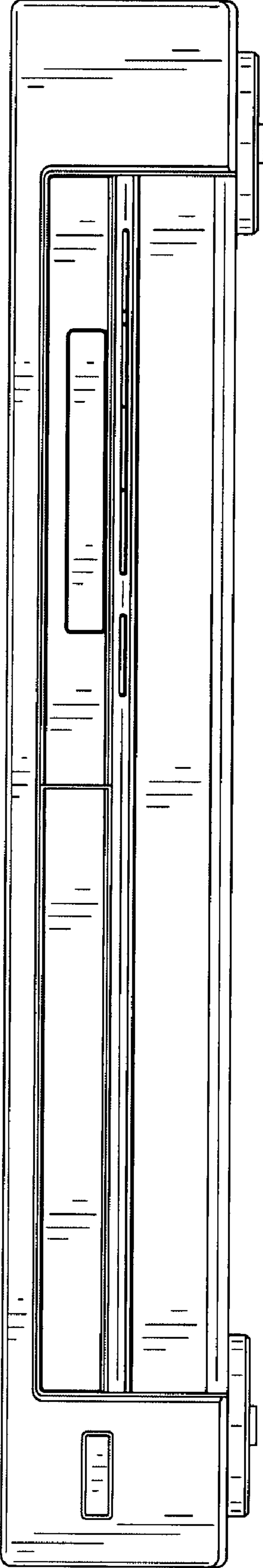


Fig.3

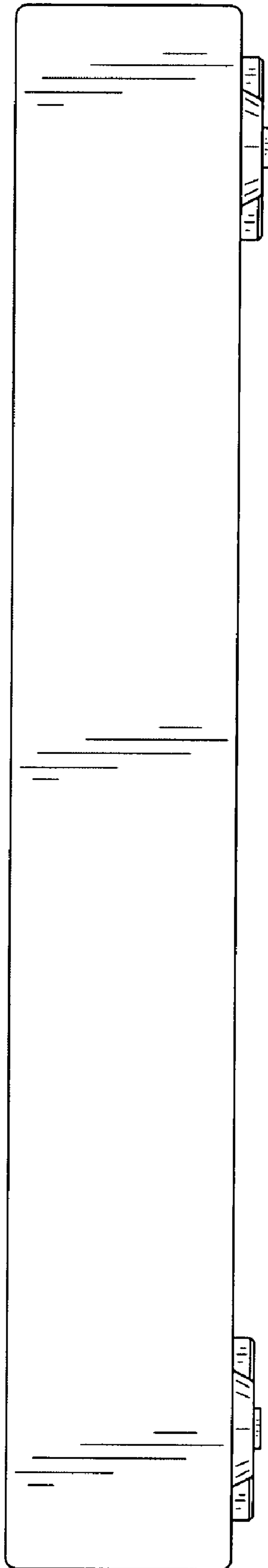


Fig. 4

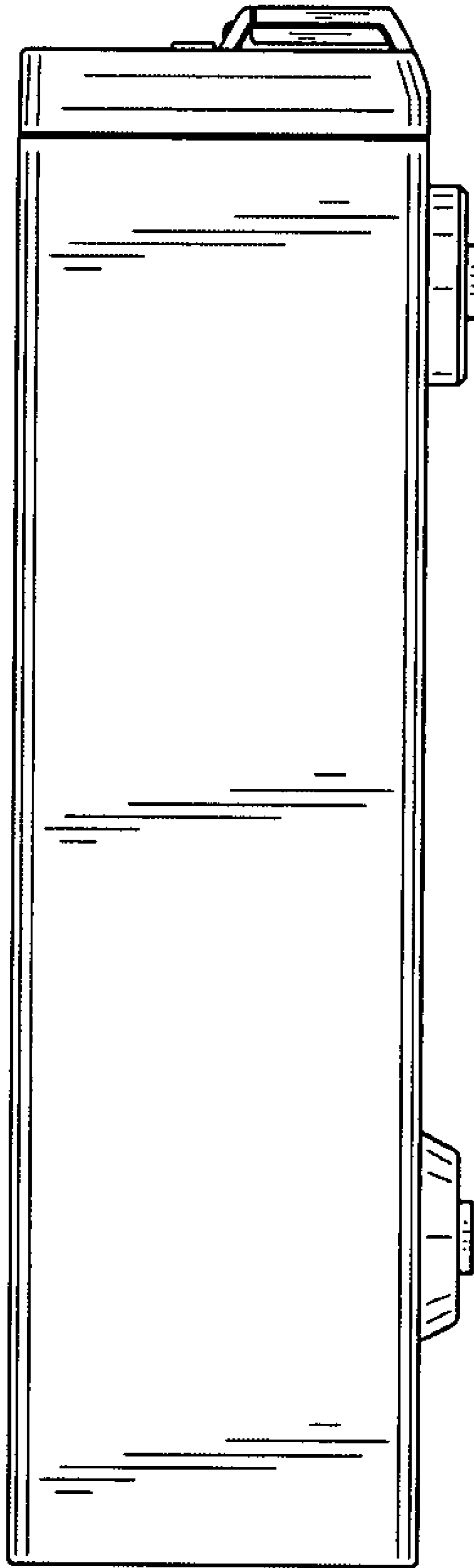


Fig. 5

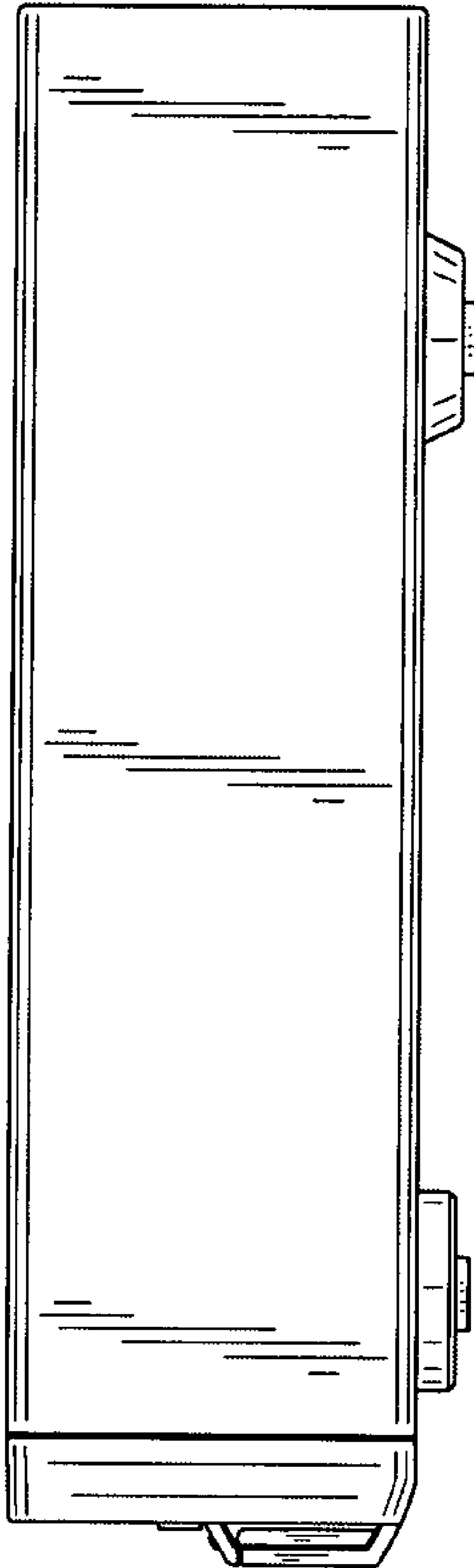


Fig.6

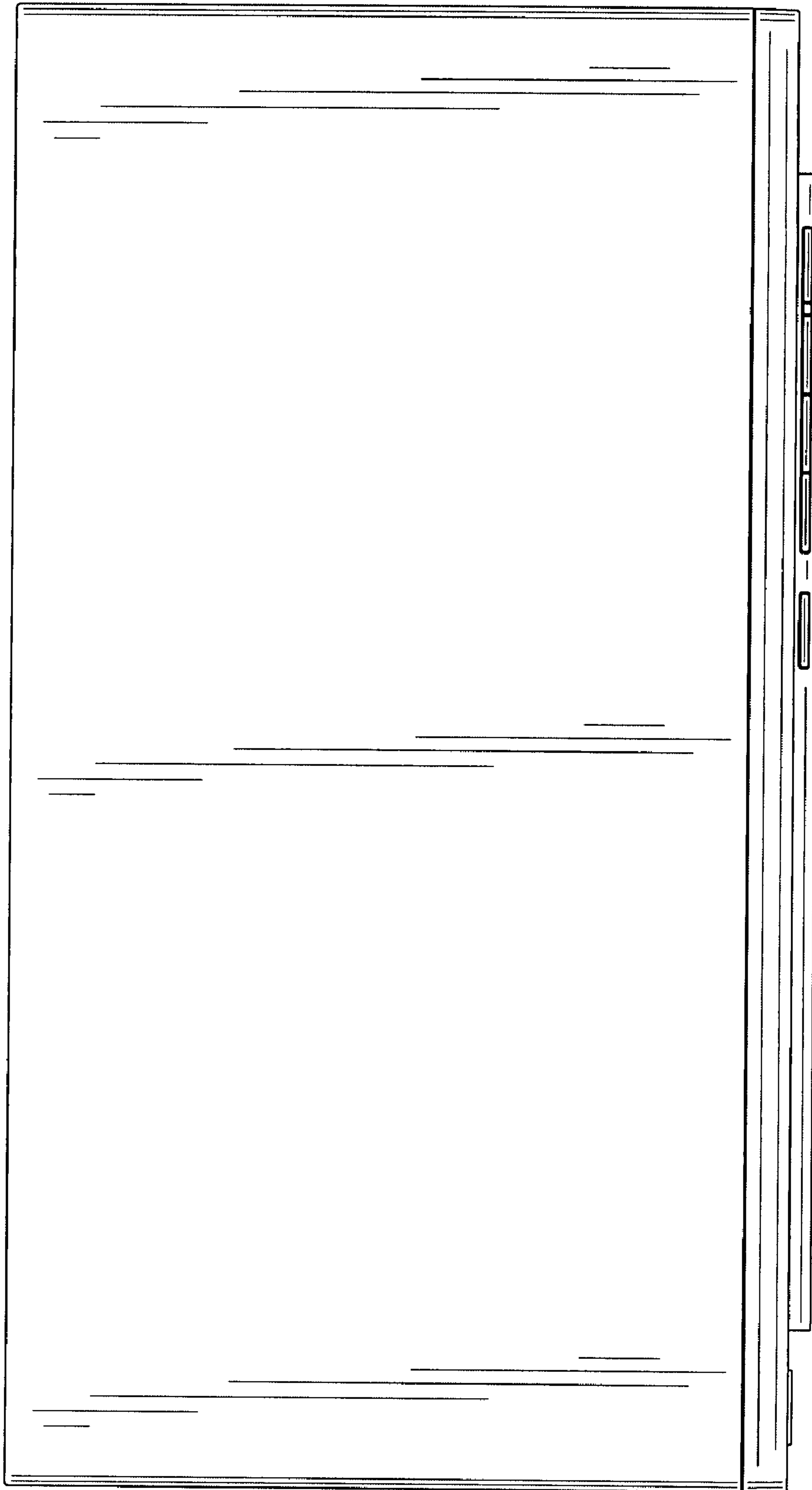


Fig.7

