

US00D564475S

(12) **United States Design Patent**
Yang et al.

(10) **Patent No.:** **US D564,475 S**
(45) **Date of Patent:** **** Mar. 18, 2008**

(54) **MULTI-MEDIA DIGITAL VIDEOTAPE RECORDER**

(75) Inventors: **Yu-Hua Yang**, Taipei (TW); **Jiun-Jie Yang**, Taipei (TW)

(73) Assignee: **Taiwan Video Systems Co., Ltd.**, Taipei (TW)

(**) Term: **14 Years**

(21) Appl. No.: **29/271,584**

(22) Filed: **Jan. 23, 2007**

(51) **LOC (8) Cl.** **14-03**

(52) **U.S. Cl.** **D14/129**

(58) **Field of Classification Search** D14/125-134, D14/239, 371, 136, 374-377; 312/7.2; 348/836, 348/838, 180, 184, 325, 739; 341/12; 248/917-924, 248/465; 345/104, 133, 156, 168, 87, 173; 720/605, 669, 600, 655; 369/99, 197; 455/344-347
See application file for complete search history.

(56) **References Cited**

U.S. PATENT DOCUMENTS

D186,791 S	*	12/1959	Fitzgerald	D14/134
D315,556 S	*	3/1991	Lim	D14/126
D318,659 S	*	7/1991	Yamazaki	D14/126
D363,714 S	*	10/1995	Onoda et al.	D14/129
D367,479 S	*	2/1996	Asanuma et al.	D14/129
D376,358 S	*	12/1996	Starck	D14/126

D435,836 S	*	1/2001	Yukikado et al.	D14/129
D455,132 S	*	4/2002	Kim et al.	D14/129
D459,320 S	*	6/2002	Serbinski et al.	D14/129
D486,805 S	*	2/2004	Takemoto	D14/129
D488,140 S	*	4/2004	Hanselman et al.	D14/131
D545,785 S	*	7/2007	Riggs	D21/329

* cited by examiner

Primary Examiner—Raphael Barkai

(74) *Attorney, Agent, or Firm*—Bacon & Thomas, PLLC

(57) **CLAIM**

The ornamental design for a multi-media digital videotape recorder, as shown and described.

DESCRIPTION

FIG. 1 is a perspective view of a multi-media digital videotape recorder showing my design;

FIG. 2 is a front view thereof;

FIG. 3 is a rear view thereof;

FIG. 4 is a left side view thereof;

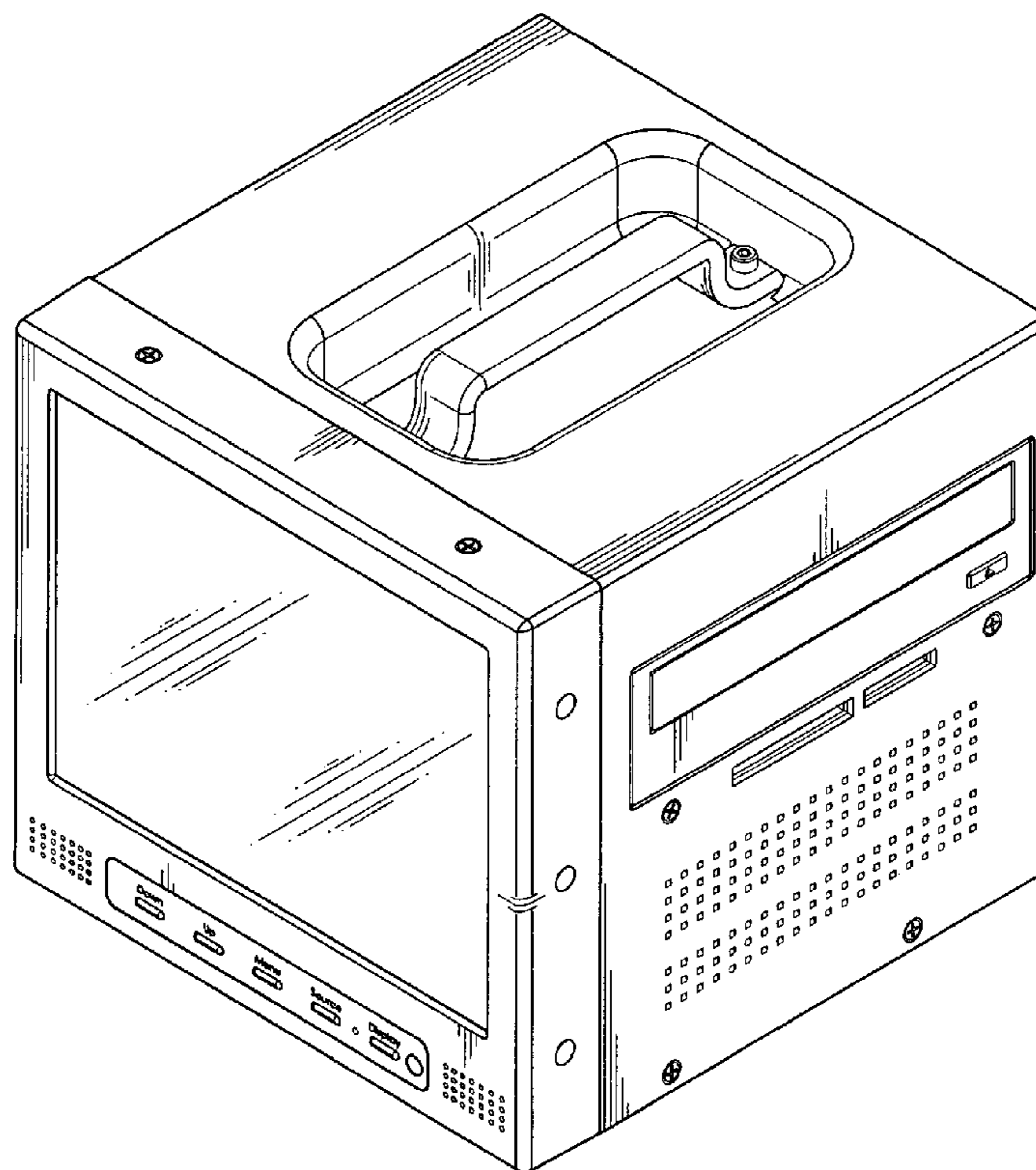
FIG. 5 is a right side view thereof;

FIG. 6 is a top view thereof;

FIG. 7 is a bottom view thereof; and,

FIG. 8 is a perspective view thereof, and the portion of the cord retainer in broken lines are shown for illustrative purposes only and form no part of the claimed design.

1 Claim, 5 Drawing Sheets



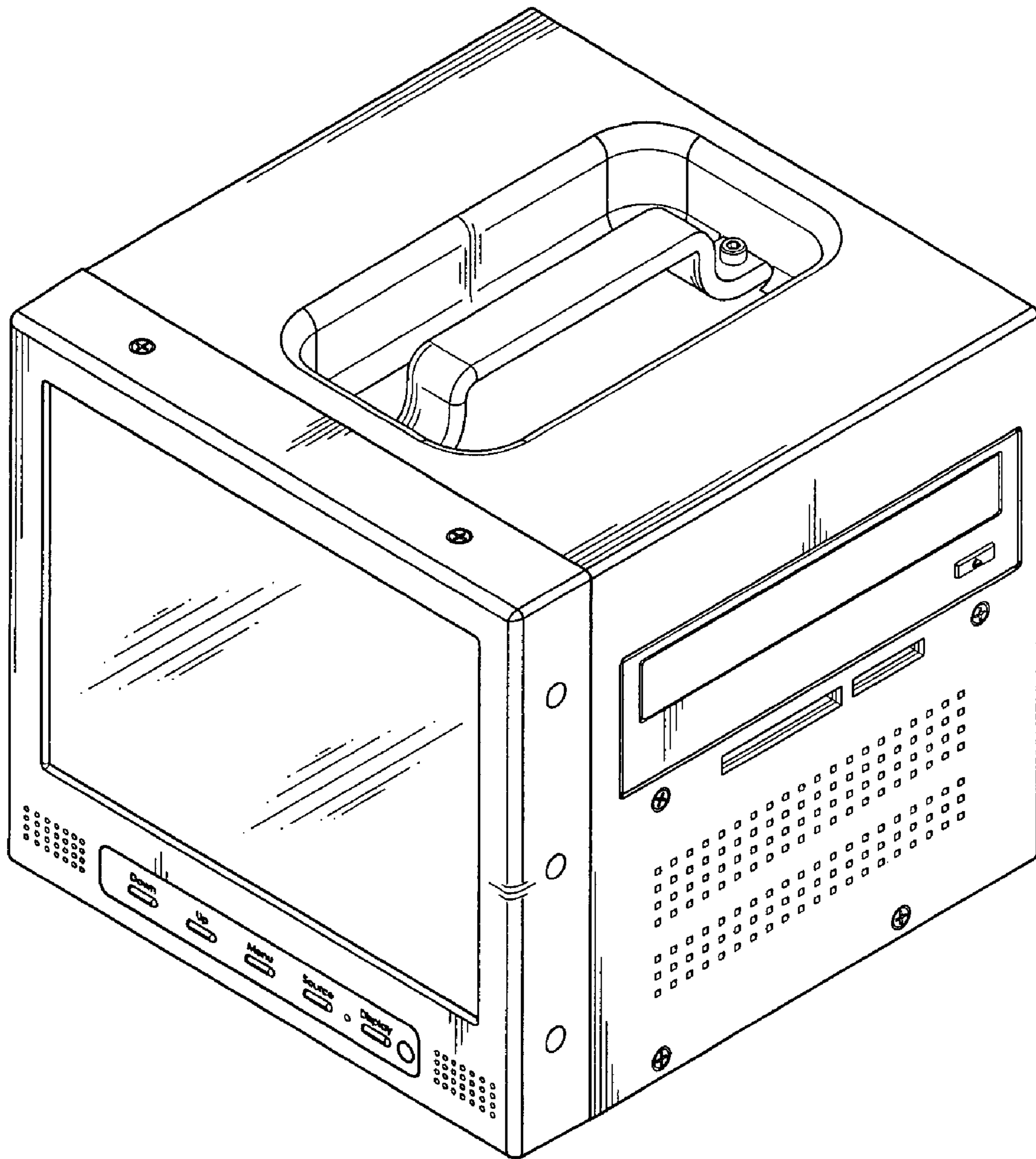


FIG. 1

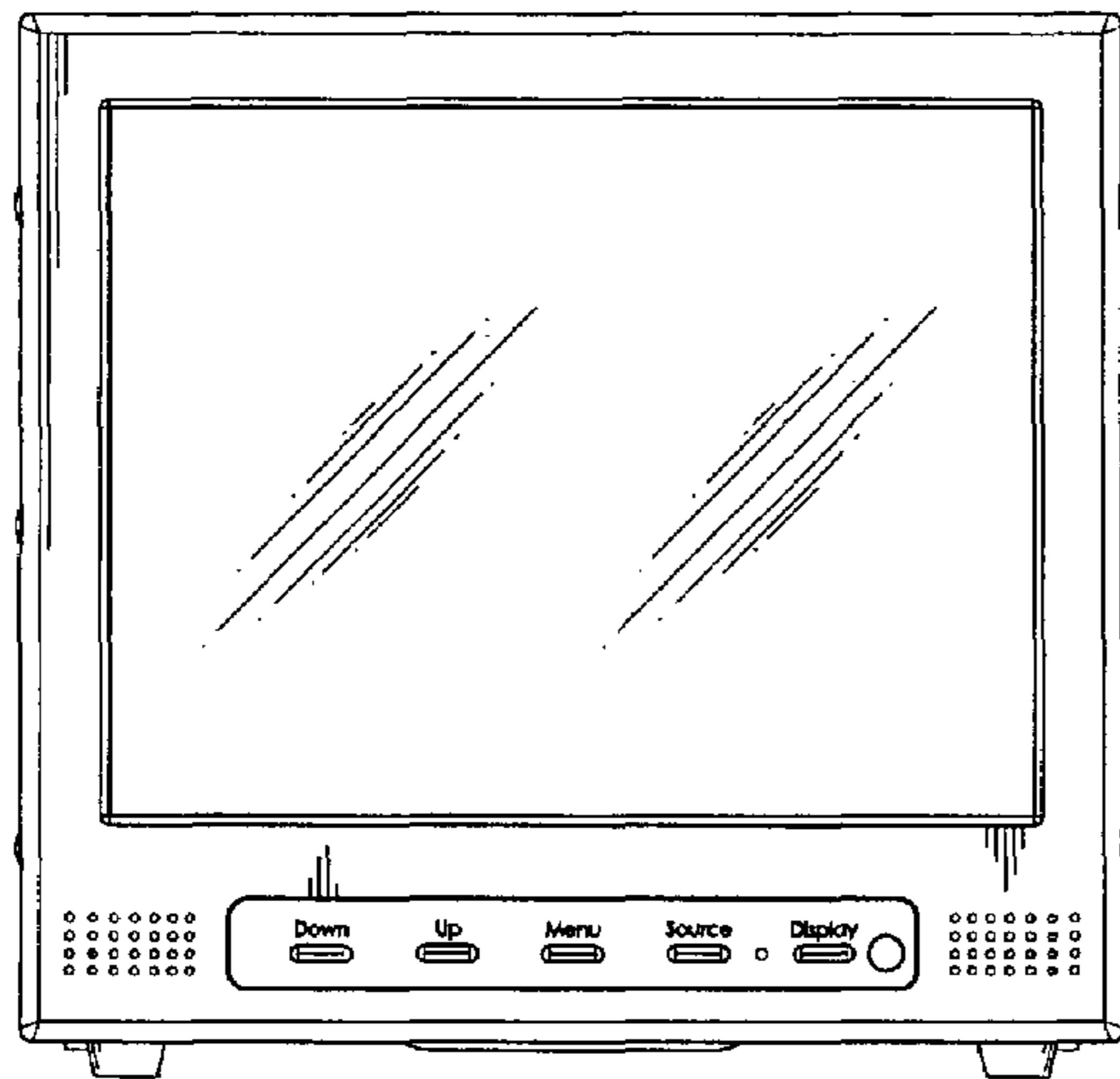


FIG. 2

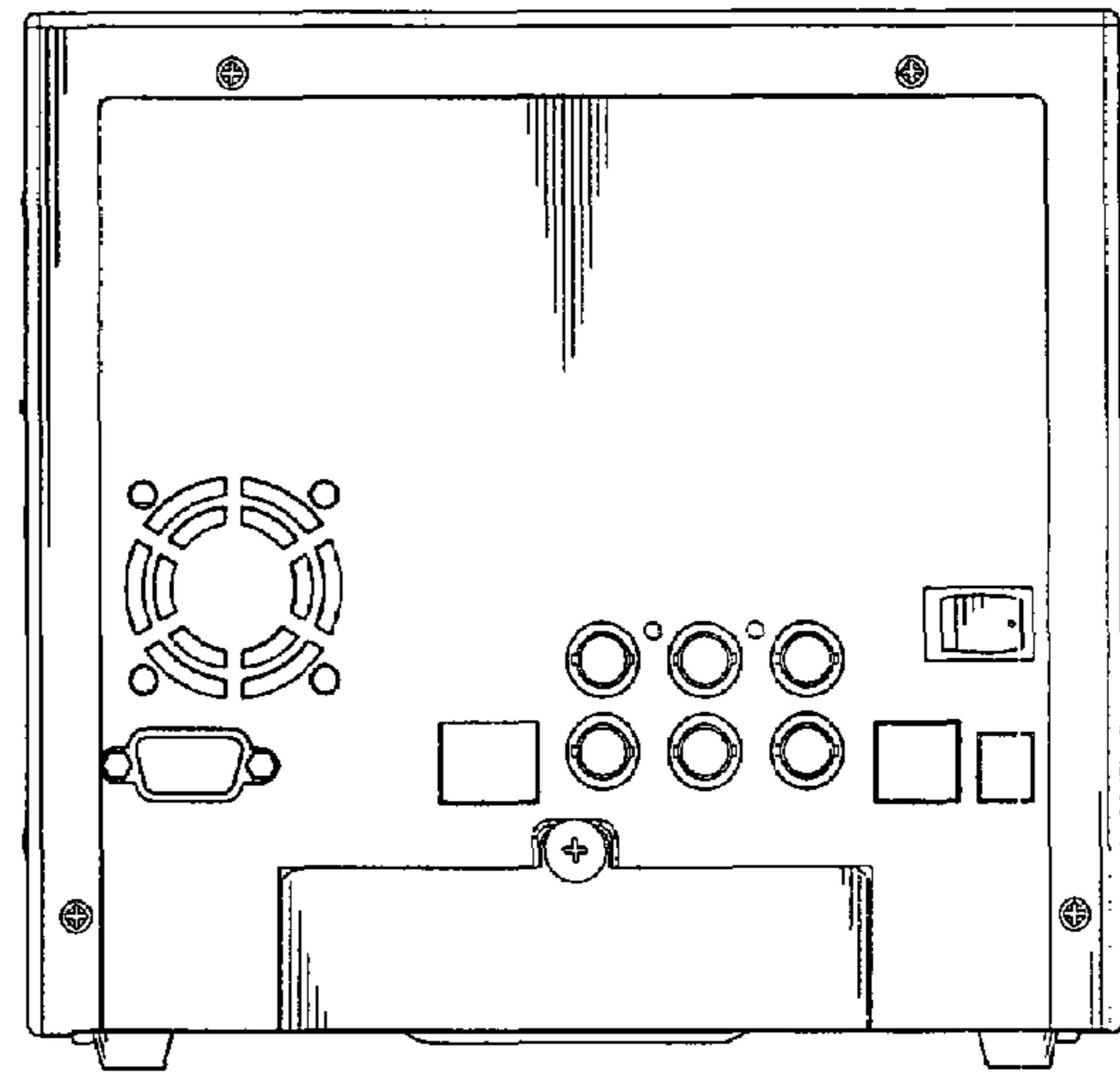


FIG. 3

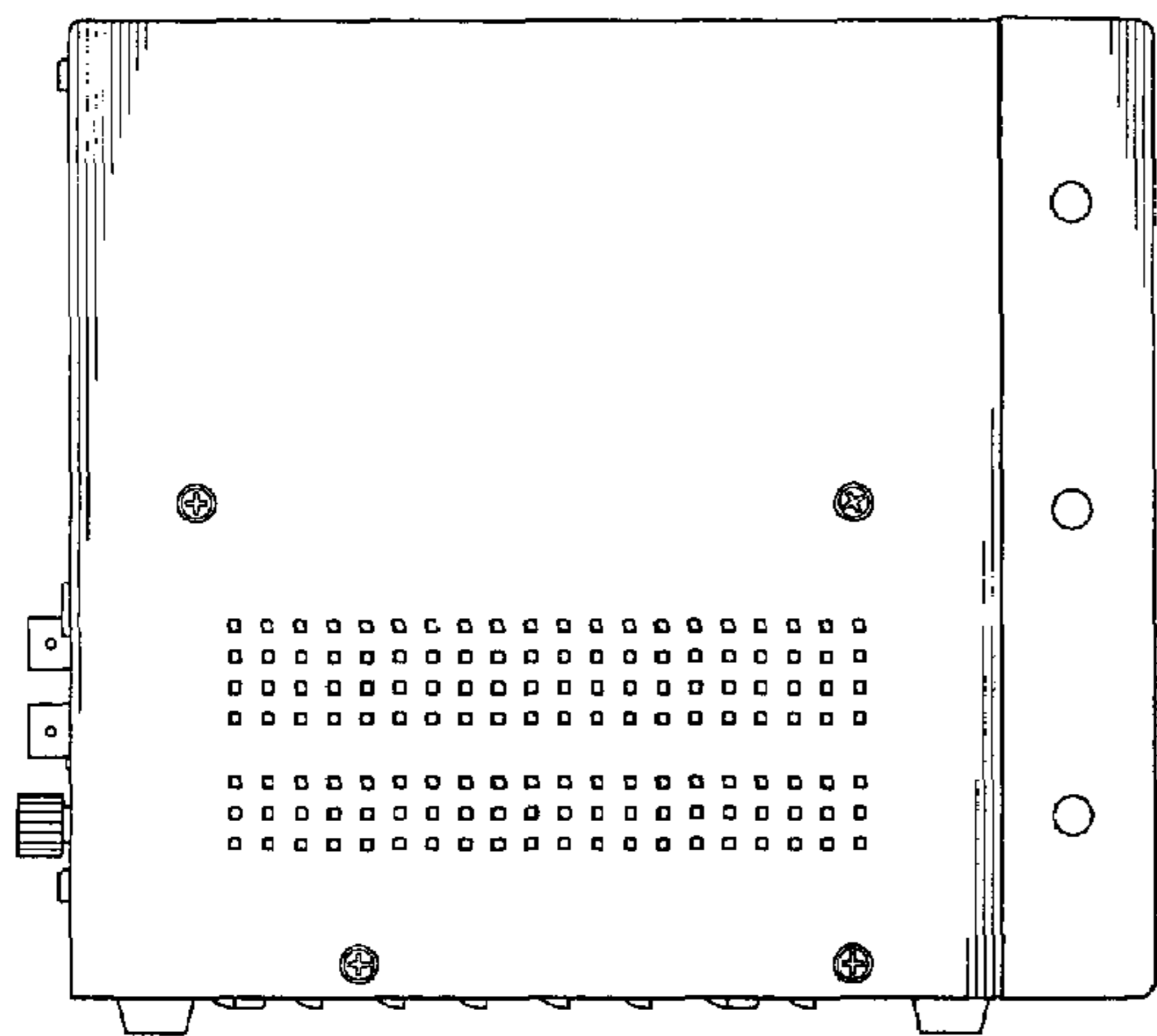


FIG. 4

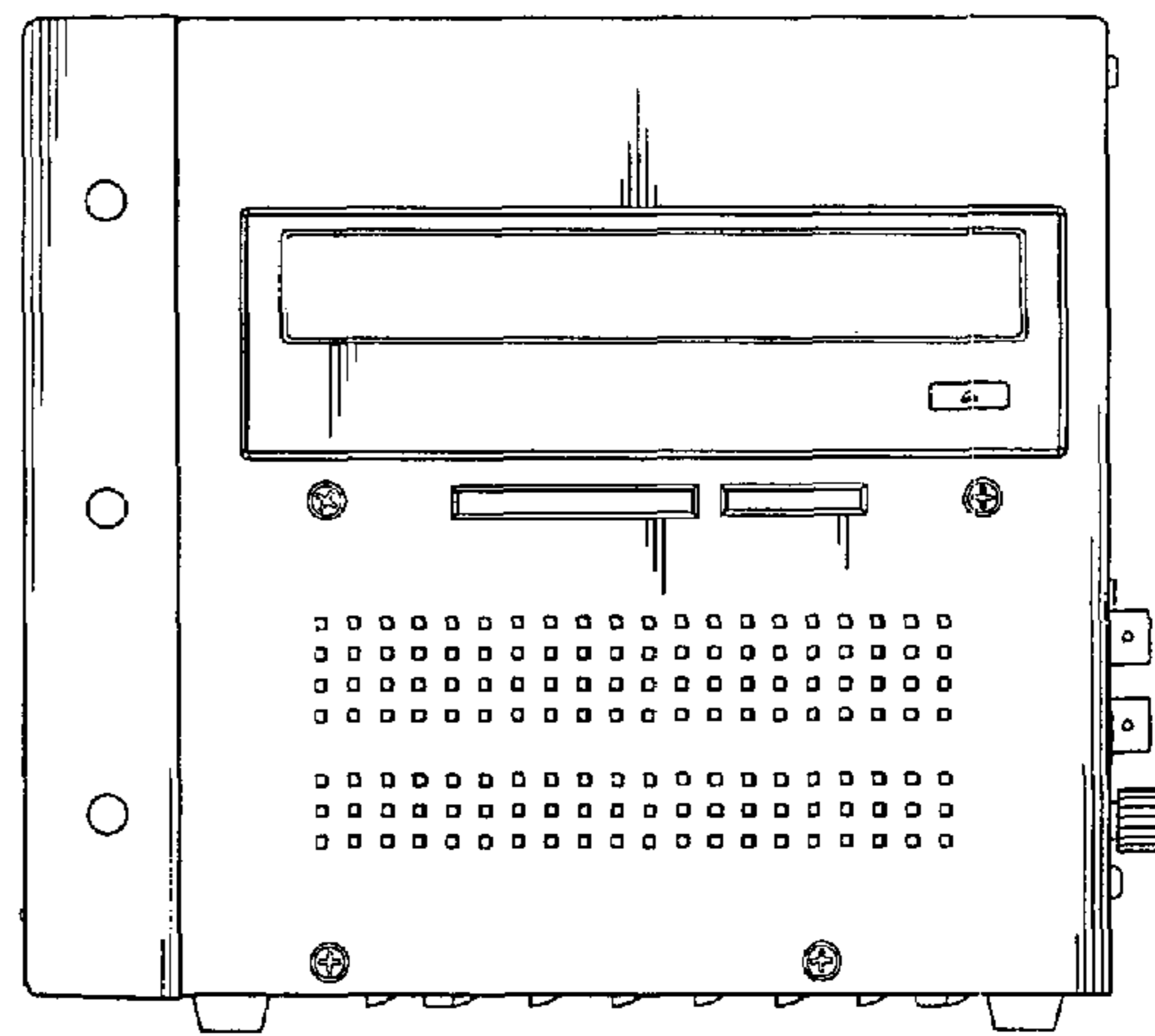


FIG. 5

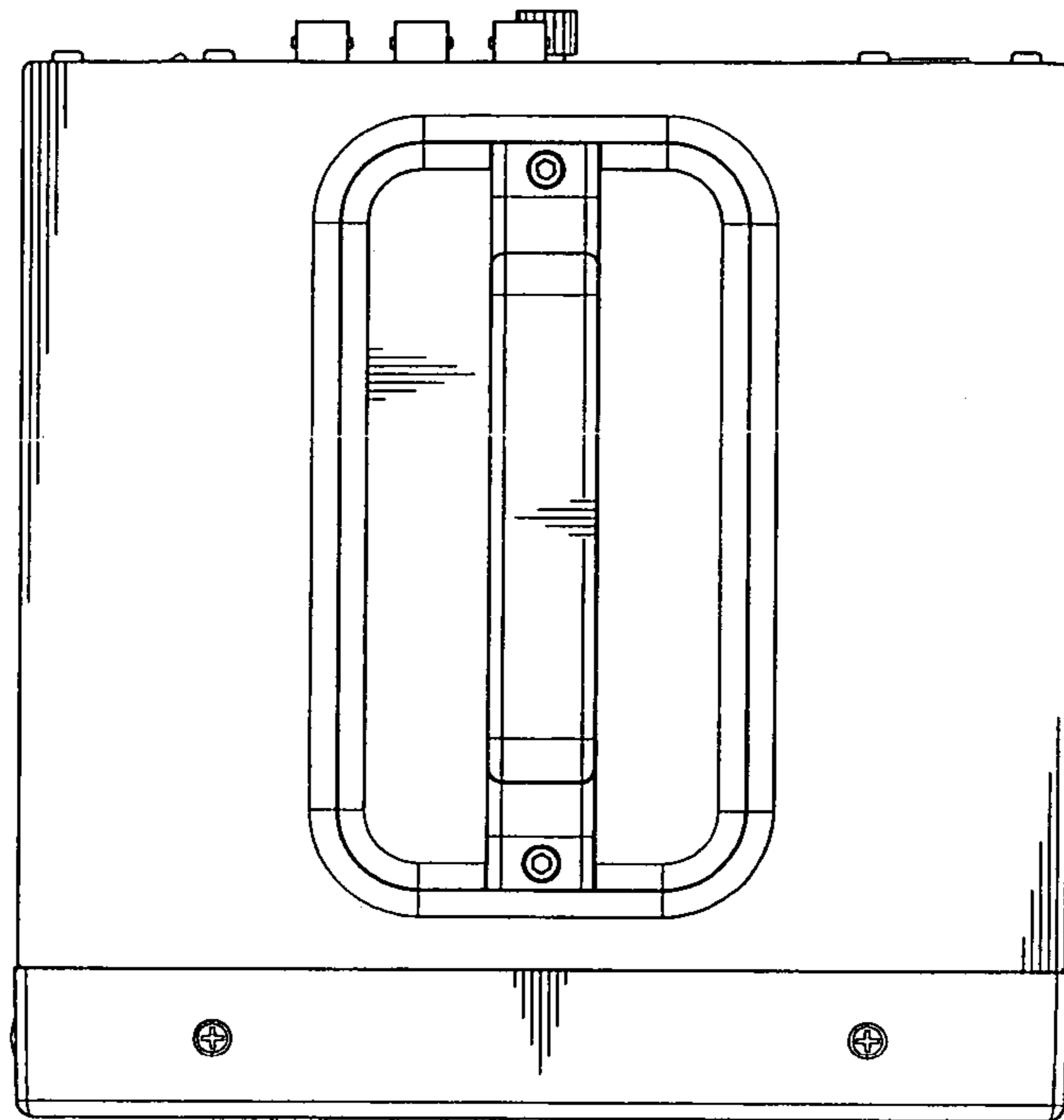


FIG. 6

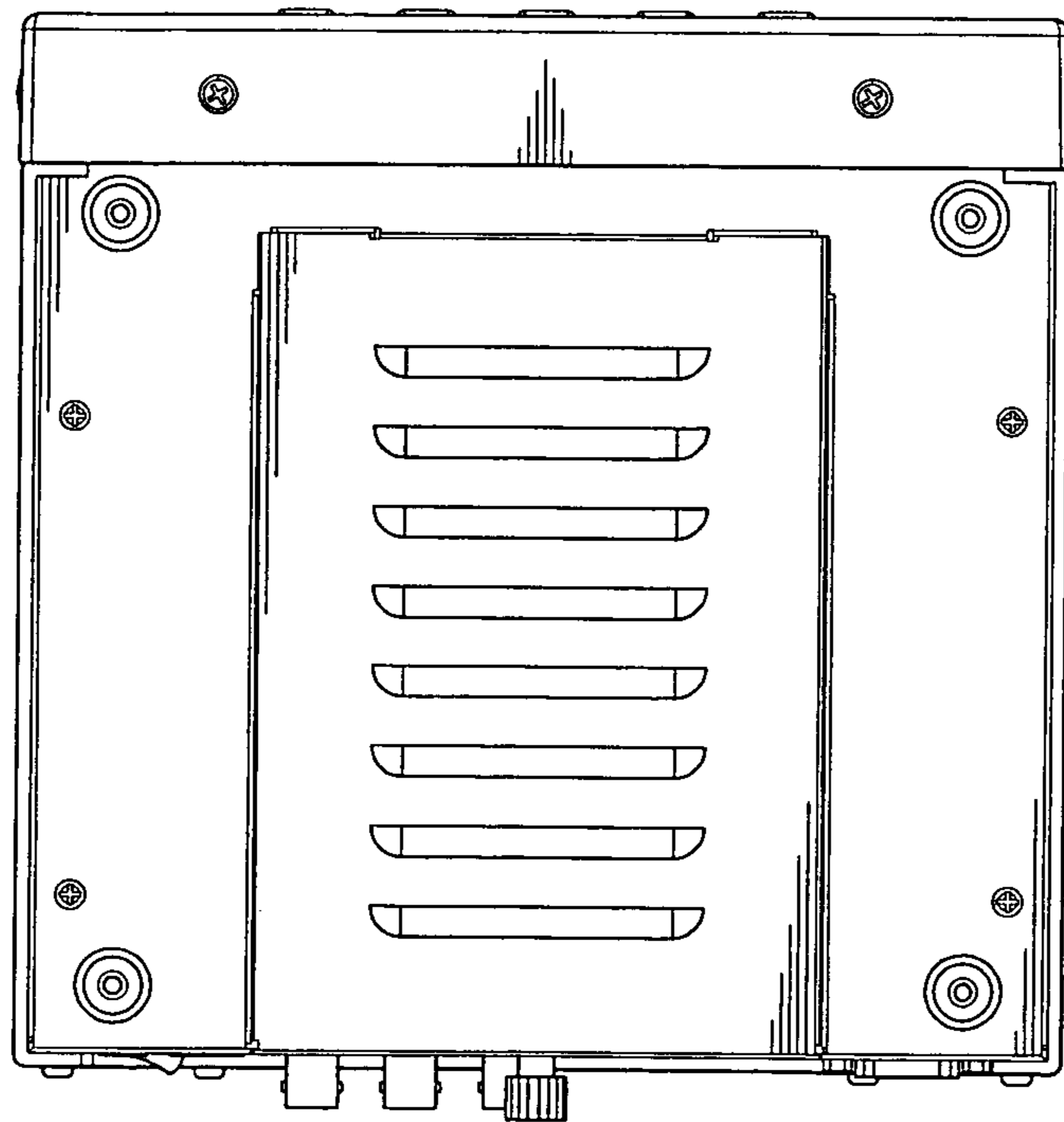


FIG. 7

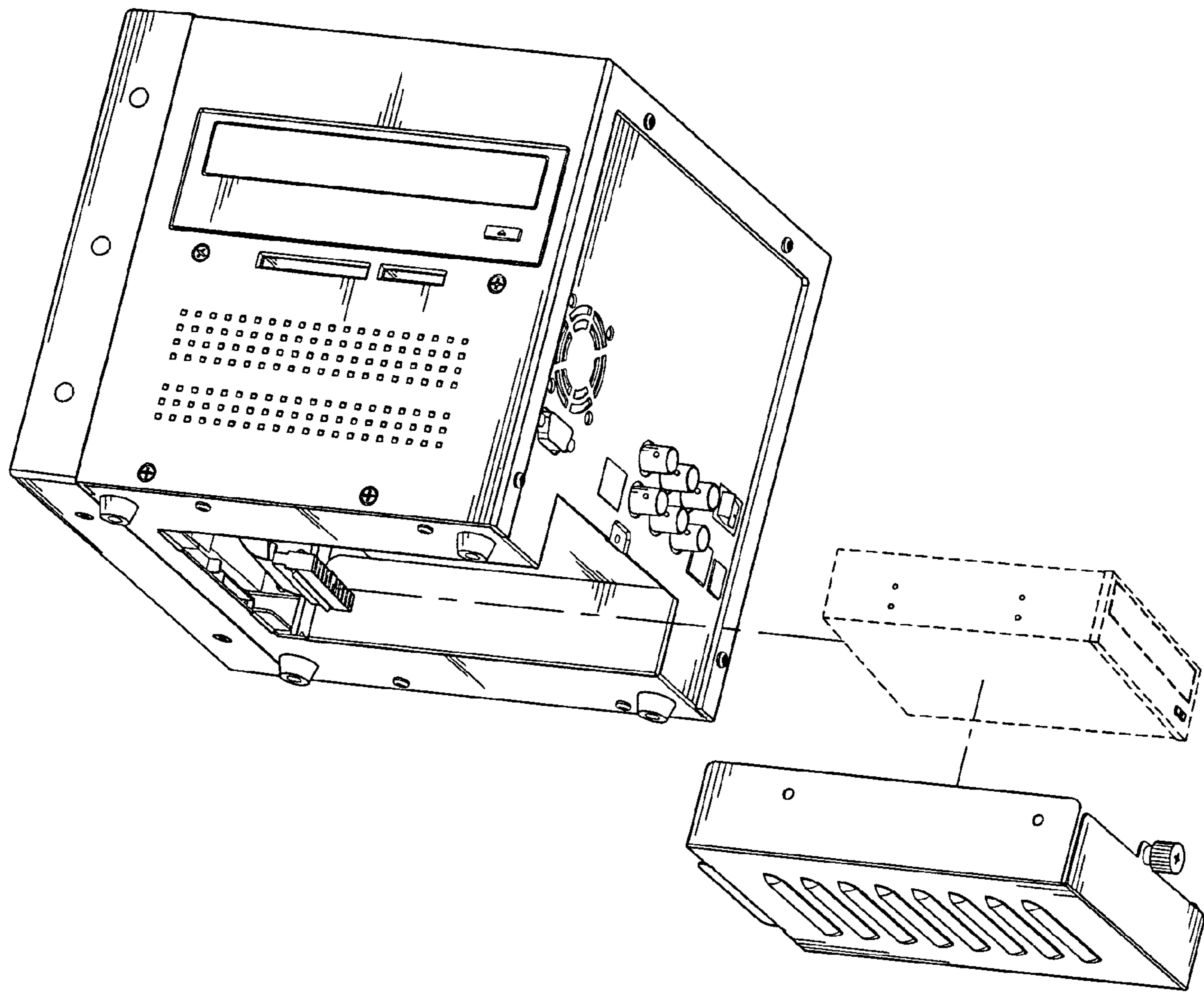


FIG. 8