



US00D564471S

(12) **United States Design Patent**
Lee

(10) **Patent No.:** **US D564,471 S**
(45) **Date of Patent:** **** Mar. 18, 2008**

(54) **TELEVISION SET**
(75) Inventor: **Chien-Kuo Lee**, Taoyuan County (TW)
(73) Assignee: **Hannspree, Inc.**, Taipei (TW)
(**) Term: **14 Years**

D521,962 S * 5/2006 Voege et al. D14/126
D526,628 S * 8/2006 Voege D14/126
D527,355 S * 8/2006 Voege D14/126
D531,602 S * 11/2006 Nakata D14/126
D537,422 S * 2/2007 Conway D14/126
D541,252 S * 4/2007 Kim et al. D14/138
D549,675 S * 8/2007 Yoon et al. D14/126

(21) Appl. No.: **29/288,578**
(22) Filed: **Jun. 15, 2007**

* cited by examiner

Primary Examiner—Raphael Barkai
(74) *Attorney, Agent, or Firm*—Hamre, Schumann, Mueller & Larson, P.C.

(30) **Foreign Application Priority Data**
Apr. 13, 2007 (TW) 96302024

(57) **CLAIM**

(51) **LOC (8) Cl.** **14-03**
(52) **U.S. Cl.** **D14/126**
(58) **Field of Classification Search** D14/125–134,
D14/239, 371, 136, 374–377; 312/7.2; 348/836,
348/838, 180, 184, 325, 739; 341/12; 248/917–924,
248/465; 345/104, 133, 156, 168, 87, 173;
720/605, 669, 600, 655; 369/99, 197; 455/344–347
See application file for complete search history.

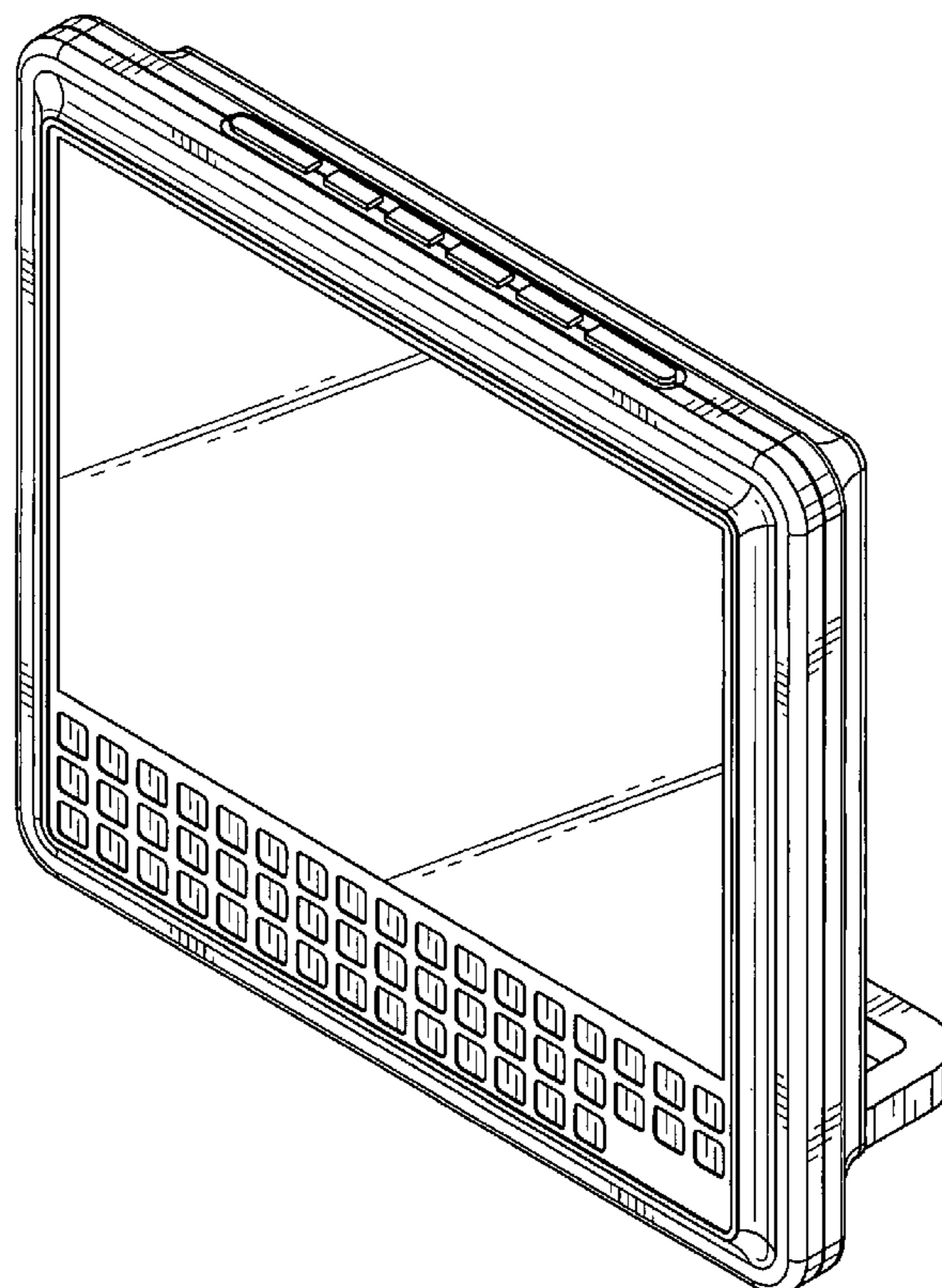
The ornamental design for television set, as shown and described.

DESCRIPTION

FIG. 1 is a perspective view of television set showing my new design;
FIG. 2 is a front elevational view thereof;
FIG. 3 is a rear elevational view thereof;
FIG. 4 is a left side elevational view thereof;
FIG. 5 is a right side elevational view thereof;
FIG. 6 is a top plan view thereof; and,
FIG. 7 is a bottom plan view thereof.

(56) **References Cited**
U.S. PATENT DOCUMENTS
D307,896 S * 5/1990 Kitagawa et al. D14/126
D442,152 S * 5/2001 Roustaei D14/125
D462,961 S * 9/2002 Neal et al. D14/374
D481,390 S * 10/2003 Wang et al. D14/374
D507,785 S * 7/2005 Mizokawa D14/126

1 Claim, 3 Drawing Sheets



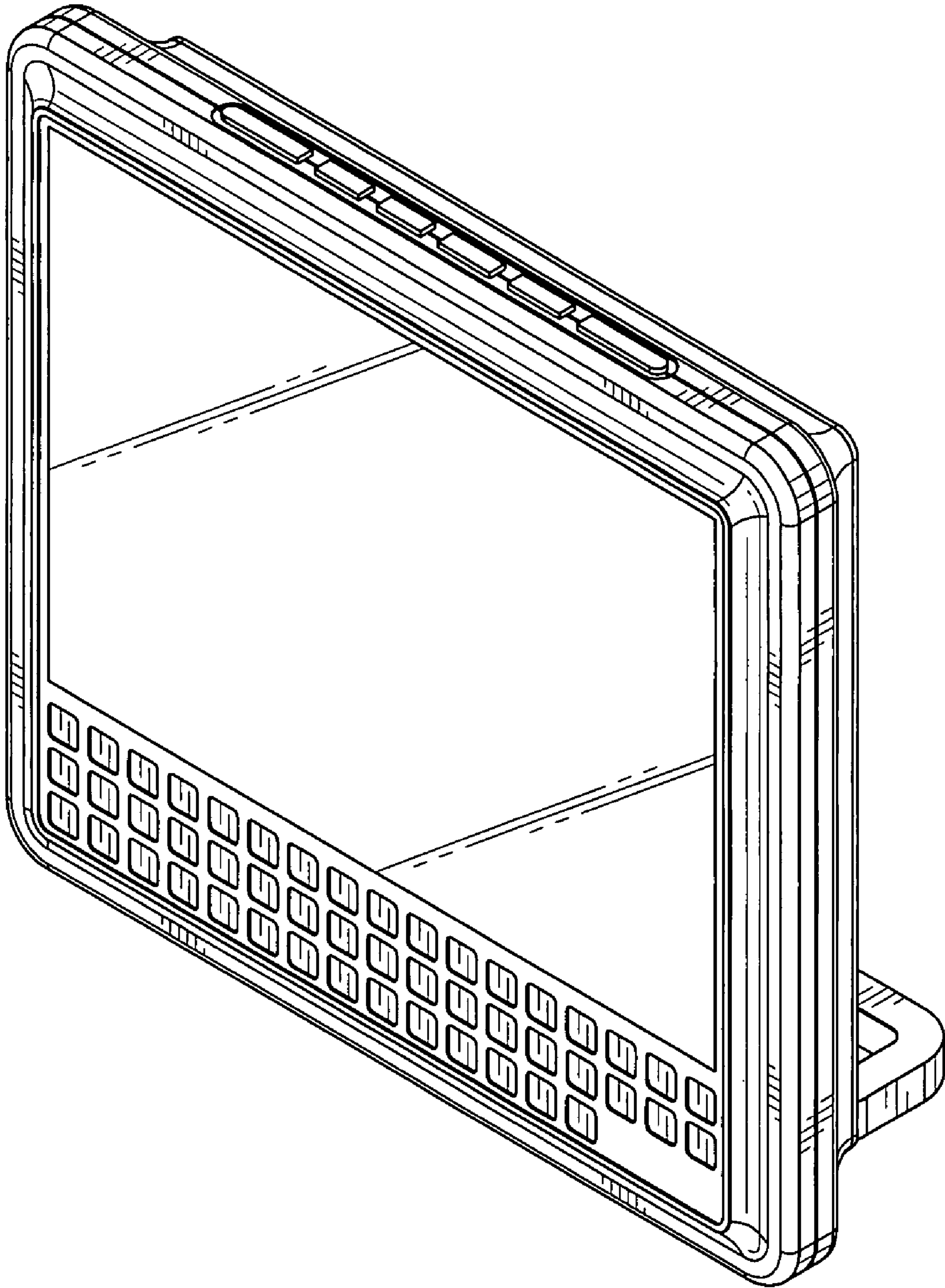


FIG. 1

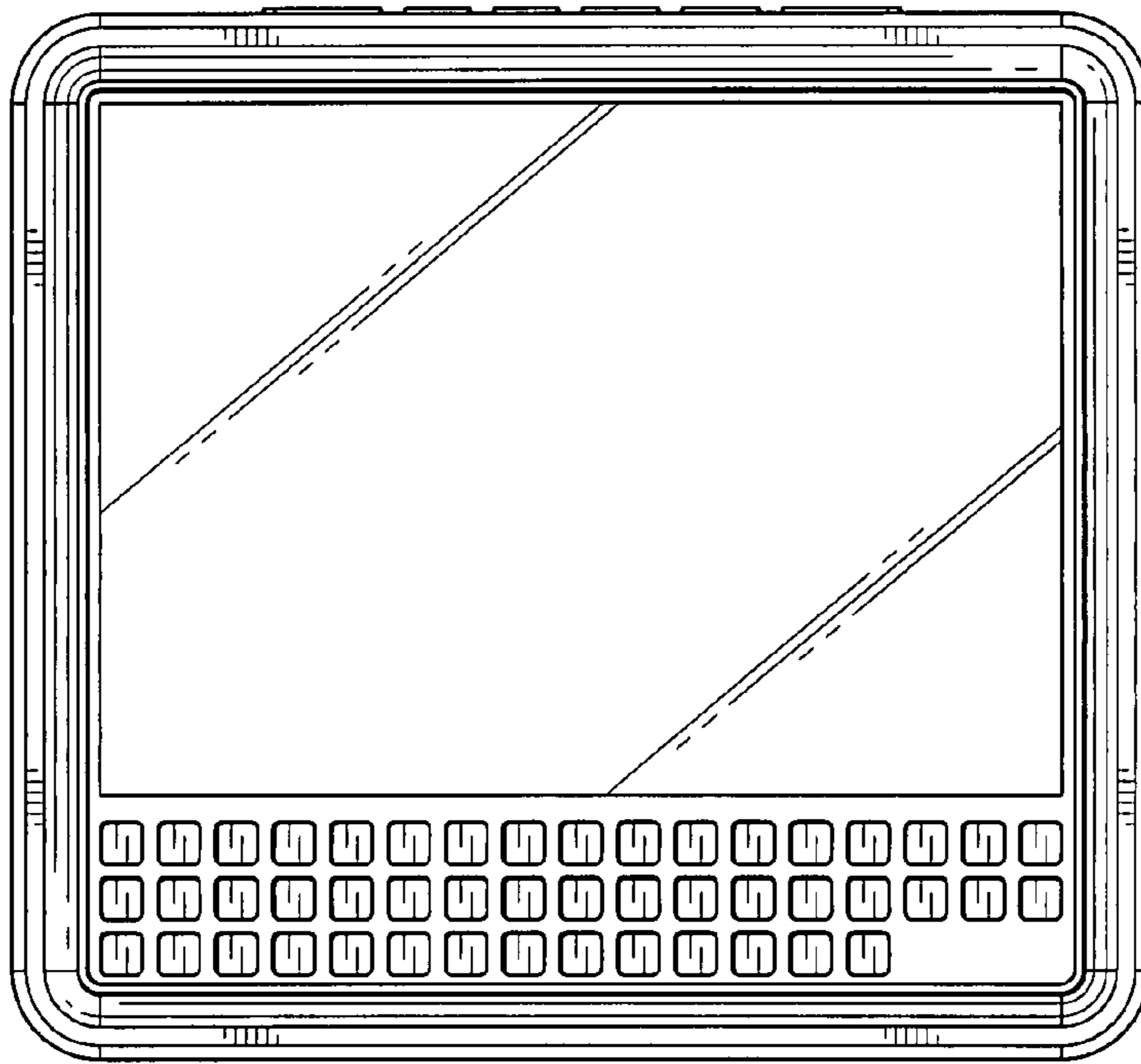


FIG. 2

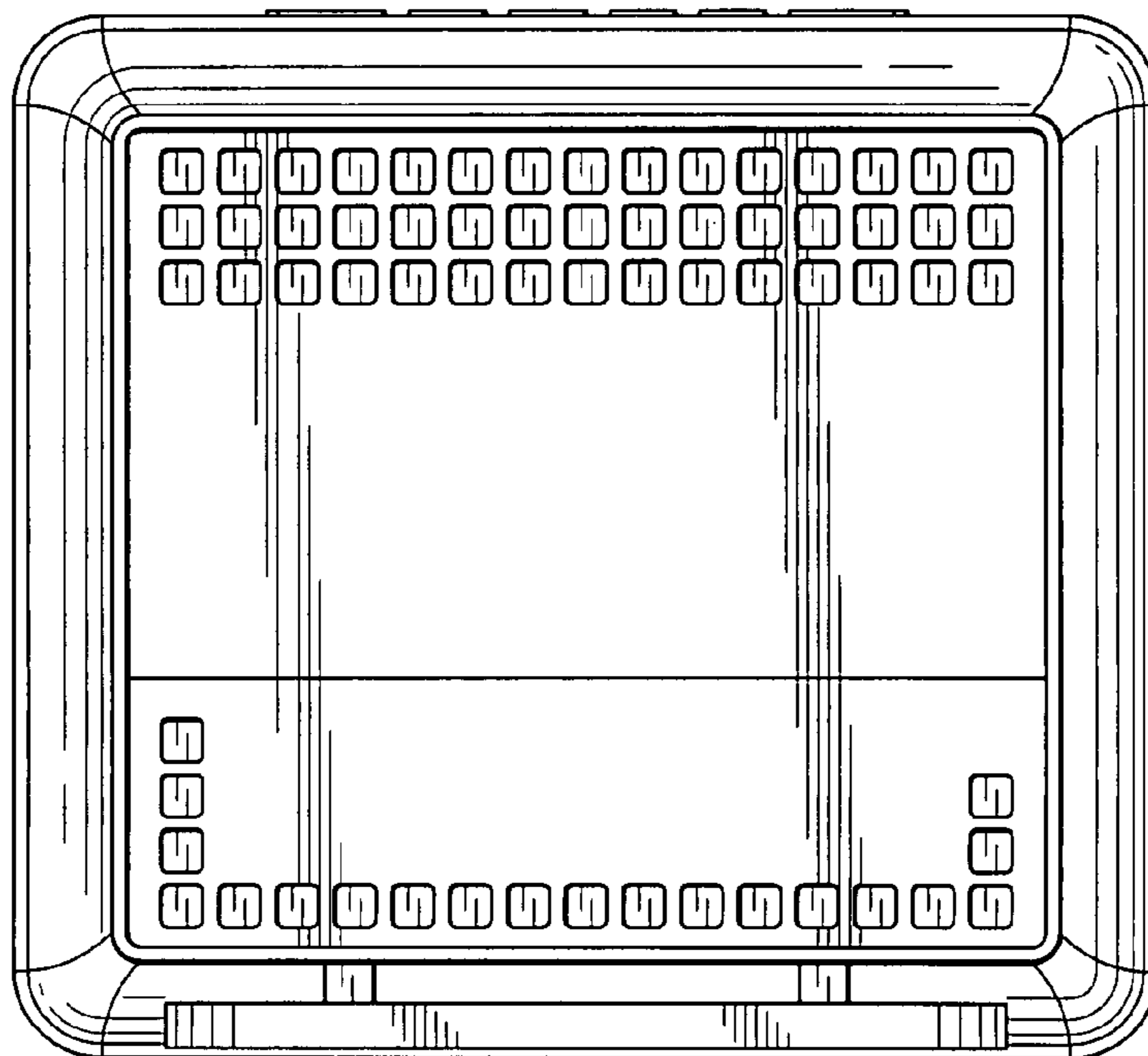


FIG. 3

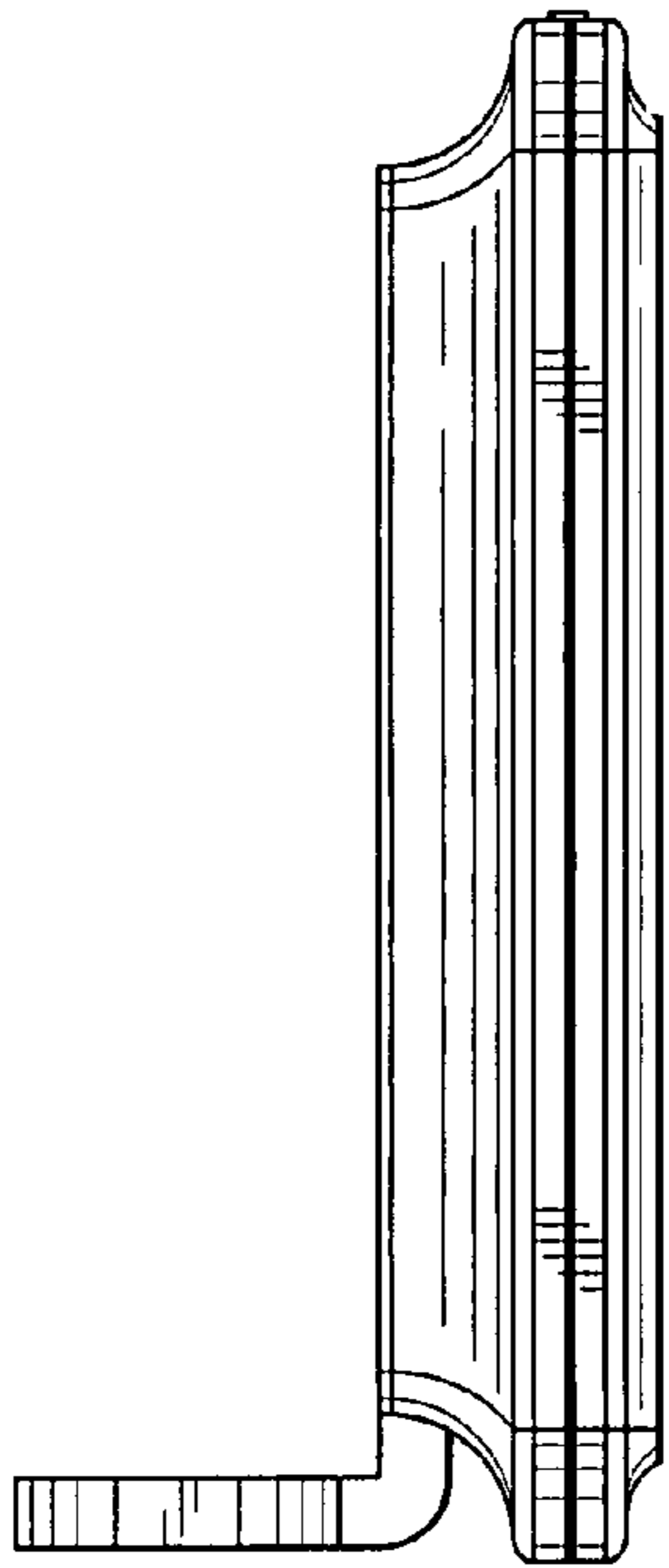


FIG. 4

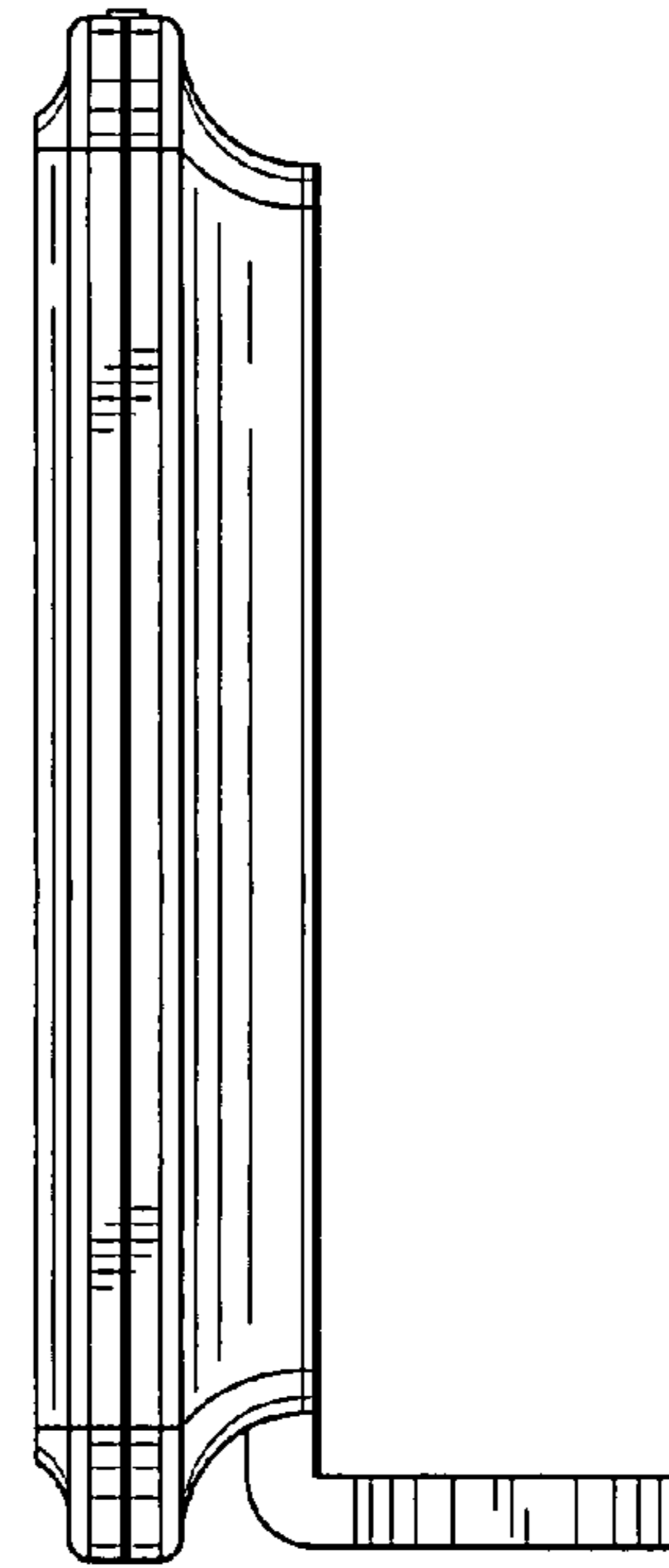


FIG. 5

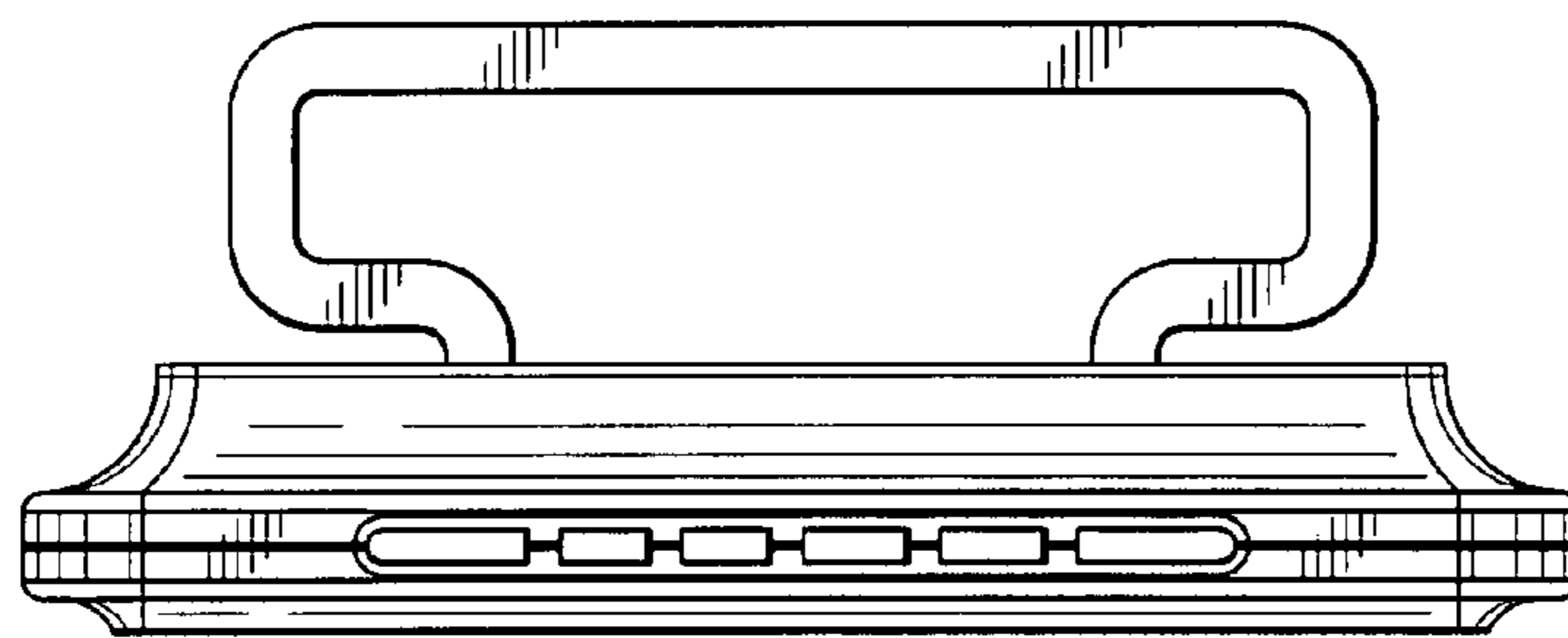


FIG. 6

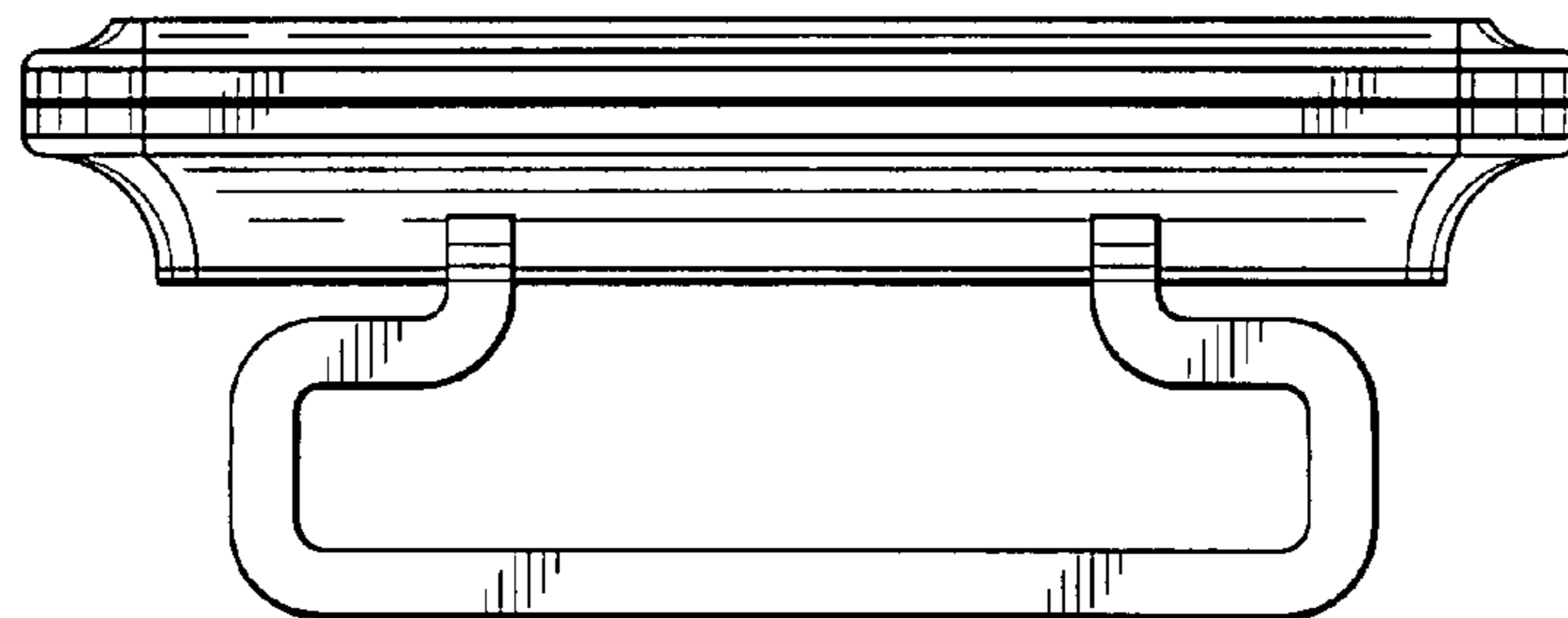


FIG. 7