

US00D564470S

(12) **United States Design Patent**
Chiu

(10) **Patent No.:** **US D564,470 S**
(45) **Date of Patent:** **** Mar. 18, 2008**

- (54) **TELEVISION SET**
- (75) Inventor: **Yi-Chung Chiu**, Taoyuan (TW)
- (73) Assignee: **Hannspree, Inc.**, Taipei (TW)
- (**) Term: **14 Years**
- (21) Appl. No.: **29/281,567**
- (22) Filed: **Jun. 26, 2007**
- (30) **Foreign Application Priority Data**
May 25, 2007 (TW) 96302857

- D534,508 S * 1/2007 Yamada D14/126
- D541,238 S * 4/2007 Smith D14/126
- D547,739 S * 7/2007 Lewis D14/126

* cited by examiner

Primary Examiner—Raphael Barkai
(74) *Attorney, Agent, or Firm*—Hamre, Schumann, Mueller & Larson, P.C.

(57) **CLAIM**

I claim the ornamental design for a television set, as shown and described.

DESCRIPTION

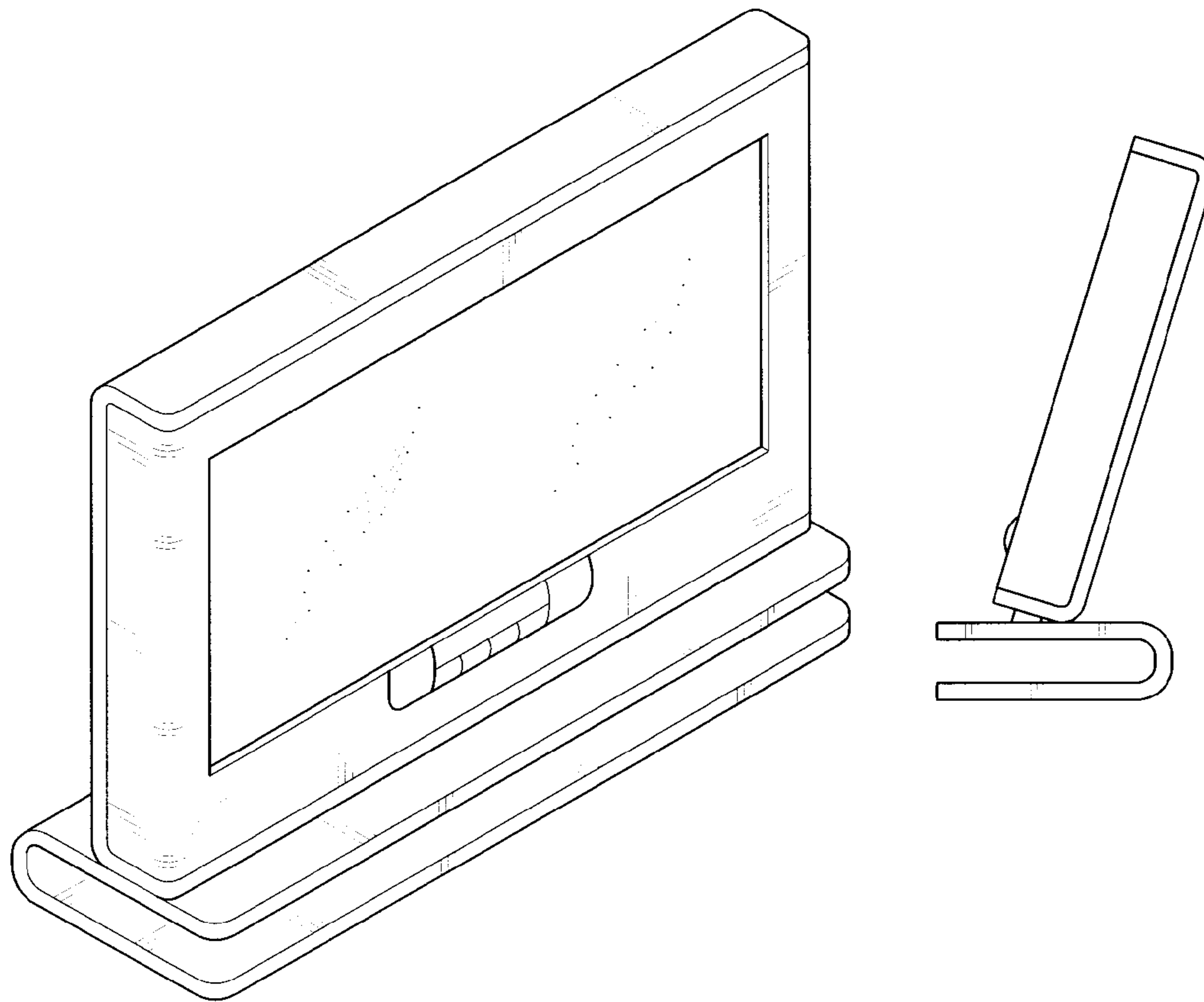
FIG. 1 is a front perspective view of a television set in accordance with my invention thereof;
 FIG. 2 is a front elevational view thereof;
 FIG. 3 is a rear elevational view thereof;
 FIG. 4 is a left side elevational view thereof;
 FIG. 5 is a right side elevational view thereof;
 FIG. 6 is a top plan view thereof;
 FIG. 7 is a bottom plan view thereof; and,
 FIG. 8 is an alternative right side elevational view of a television set in a used state thereof.

- (51) **LOC (8) Cl.** **14-03**
- (52) **U.S. Cl.** **D14/126**
- (58) **Field of Classification Search** D14/125–134,
D14/239, 371, 136, 374–377; 312/7.2; 348/836,
348/838, 180, 184, 325, 739; 341/12; 248/917–924,
248/465; 345/104, 133, 156, 168, 87, 173;
720/605, 669, 600, 655; 369/99, 197; 455/344–347
See application file for complete search history.

(56) **References Cited**
U.S. PATENT DOCUMENTS

- D524,772 S * 7/2006 Reza D14/126
- D525,219 S * 7/2006 Williams D14/126
- D525,956 S * 8/2006 Lee D14/126

1 Claim, 8 Drawing Sheets



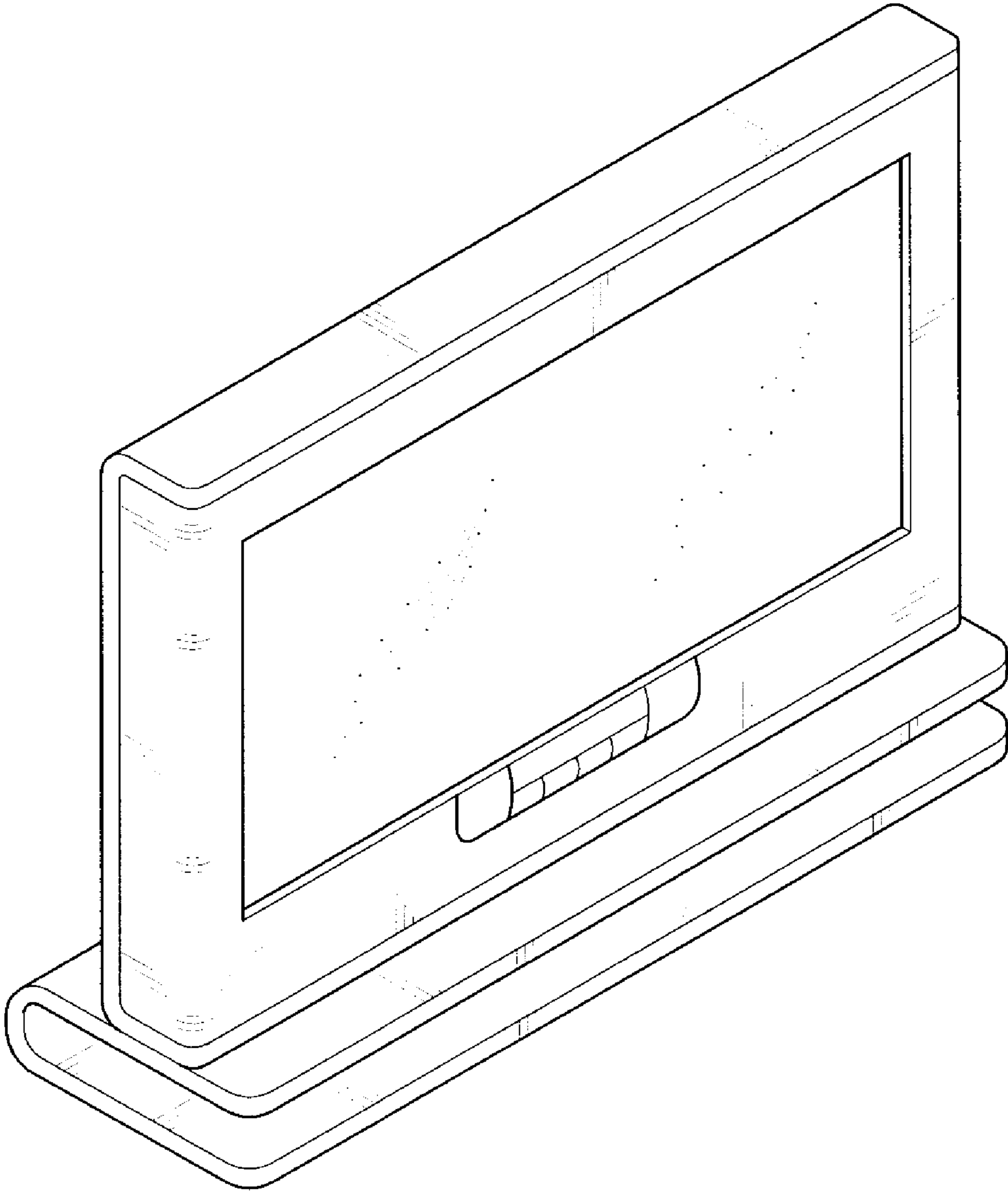


FIG. 1

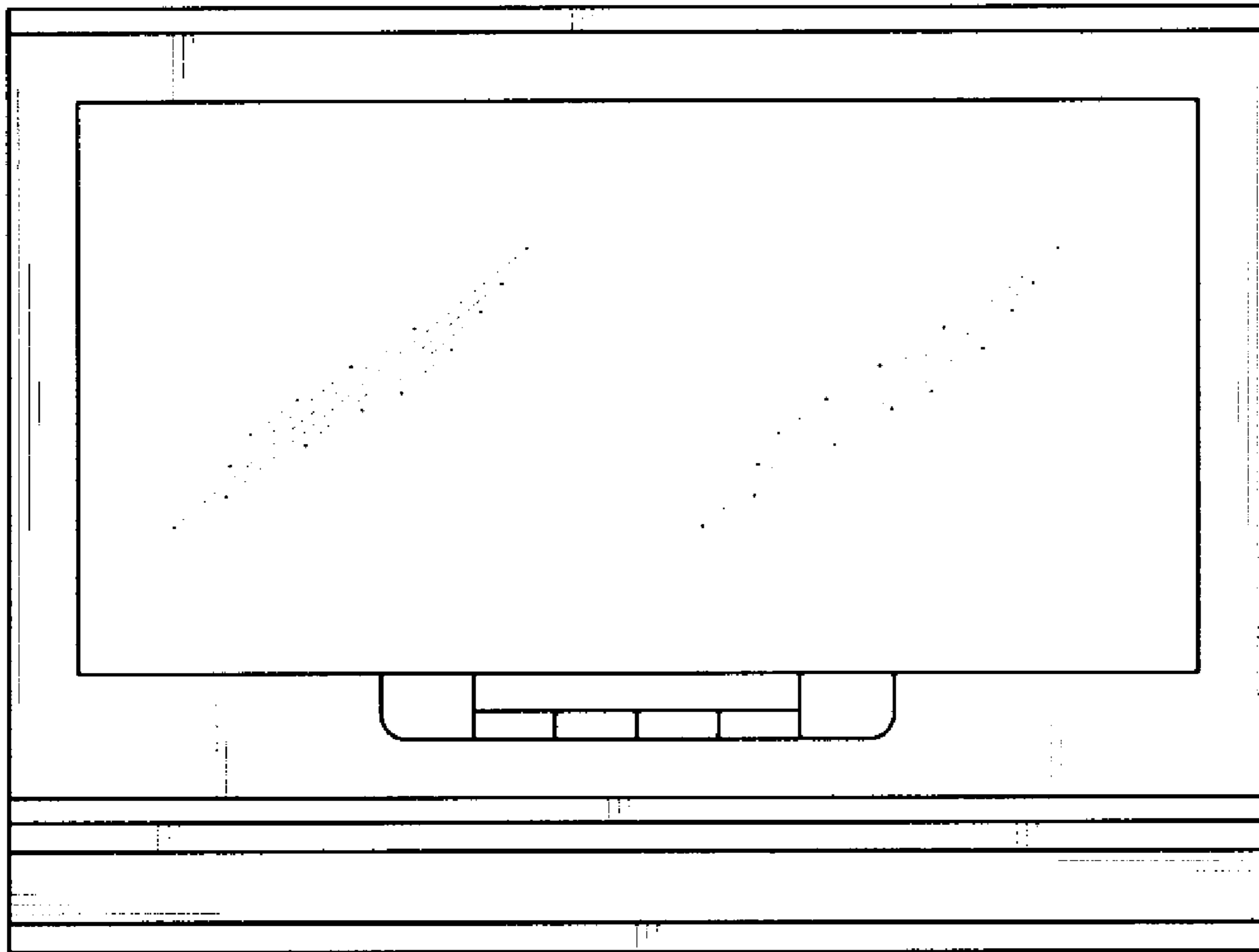


FIG. 2

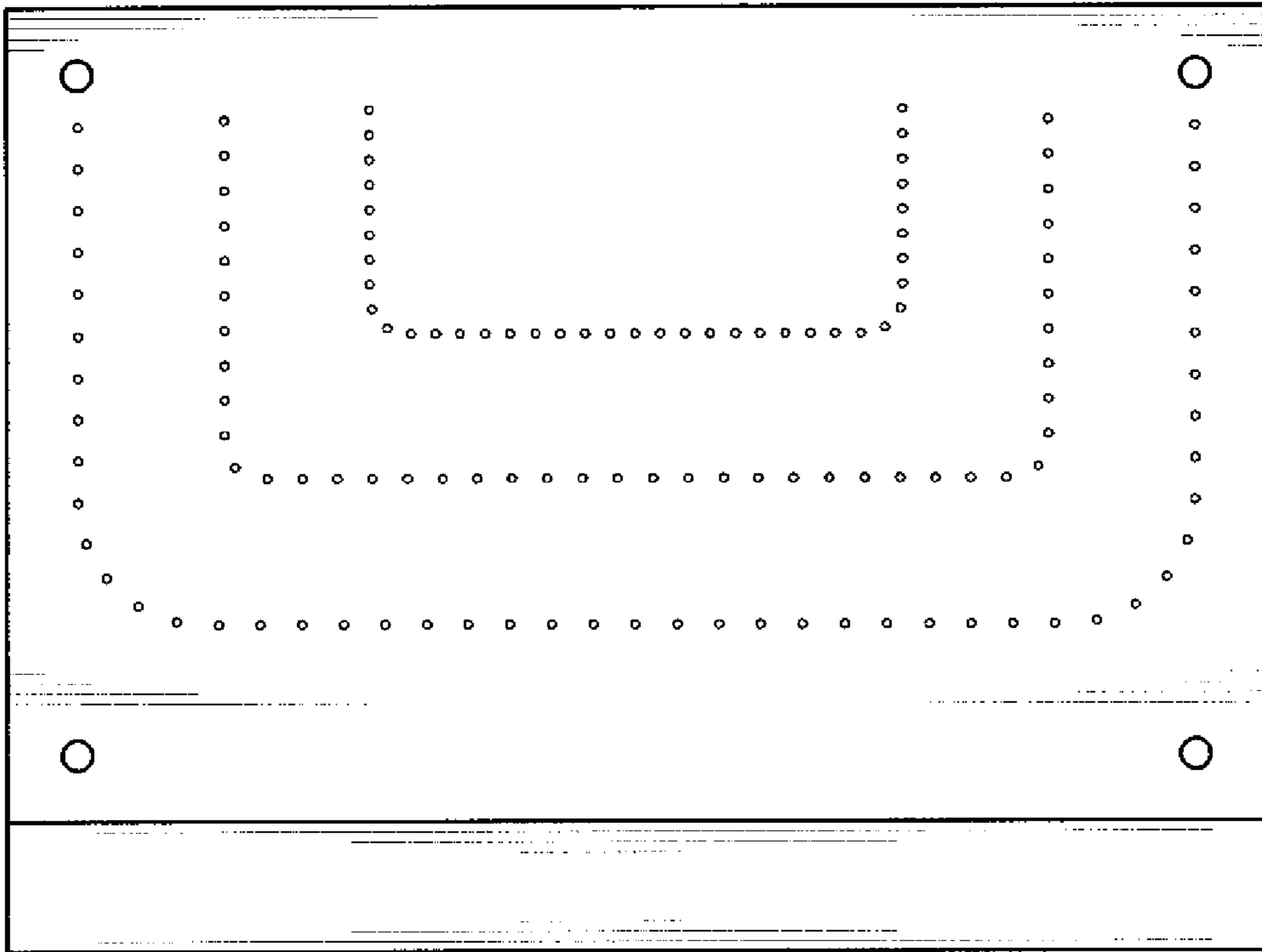


FIG. 3

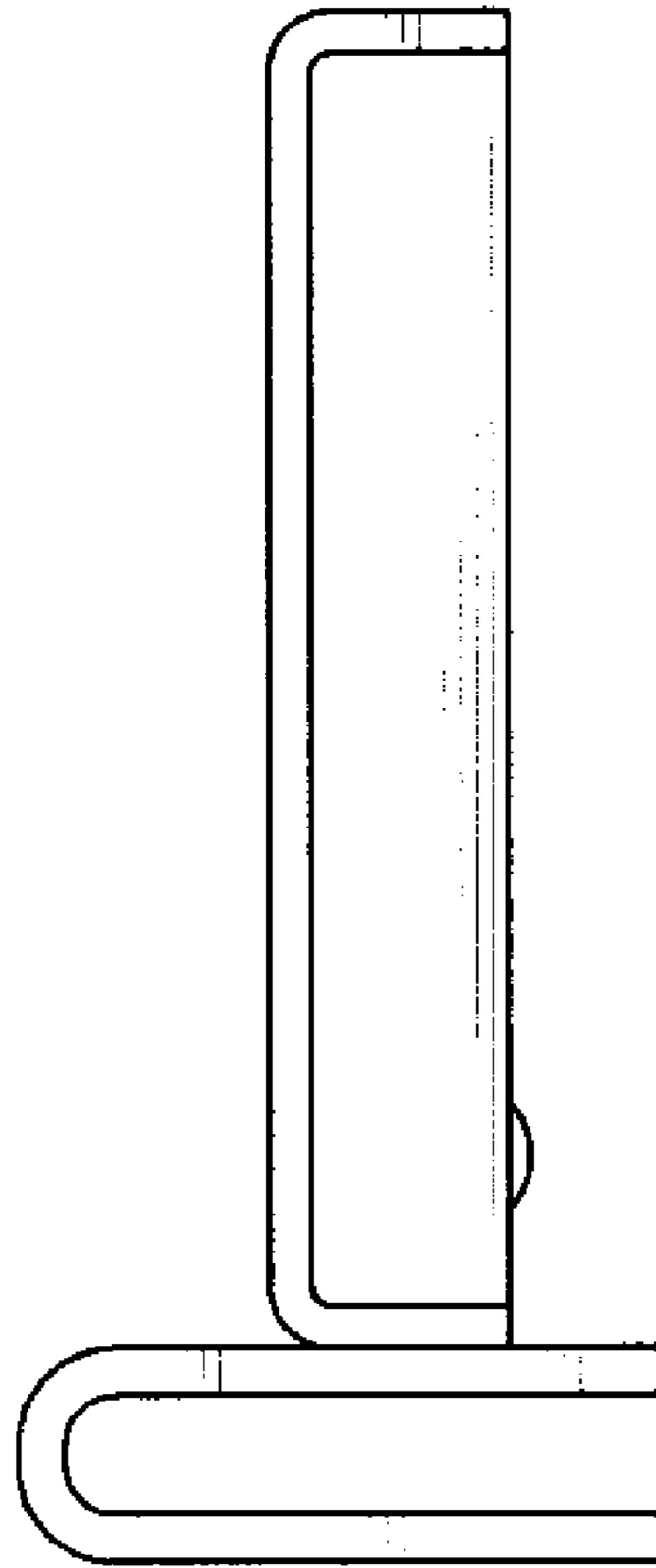


FIG. 4

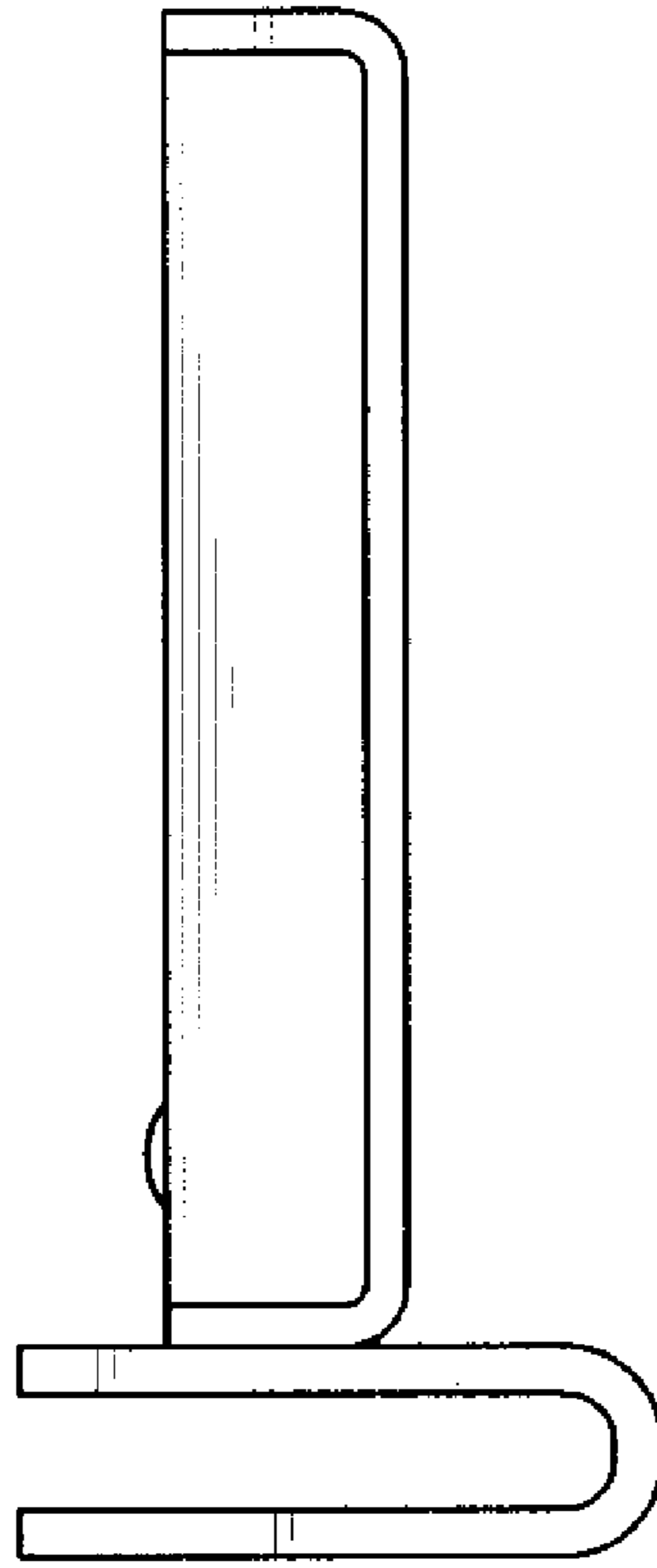


FIG. 5

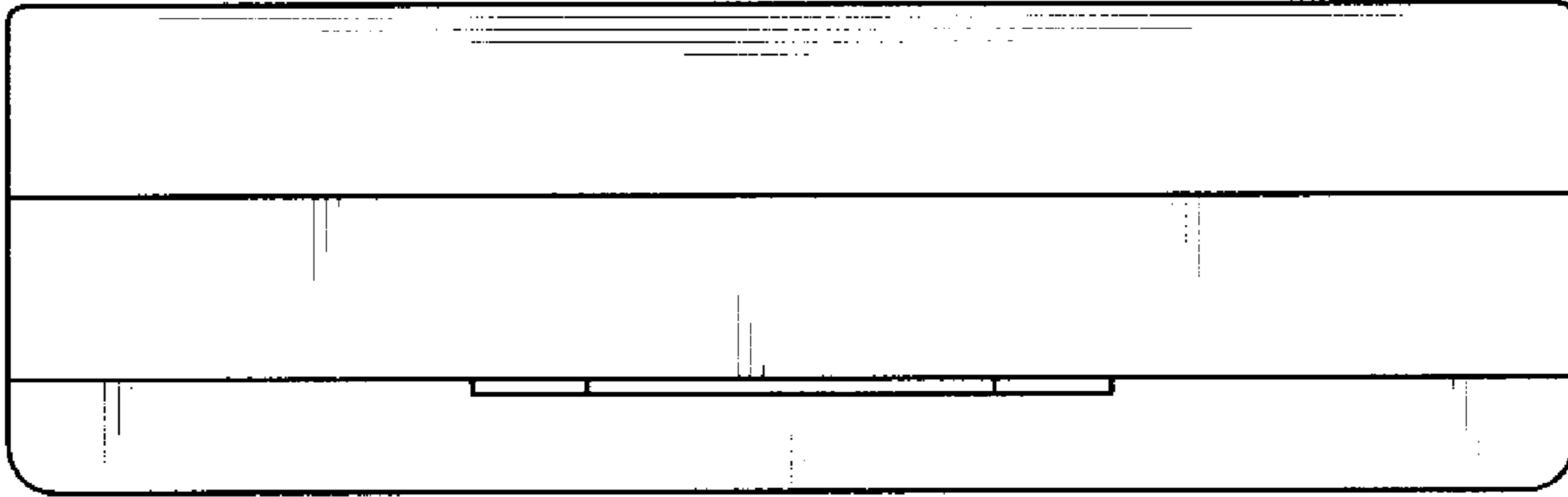


FIG. 6

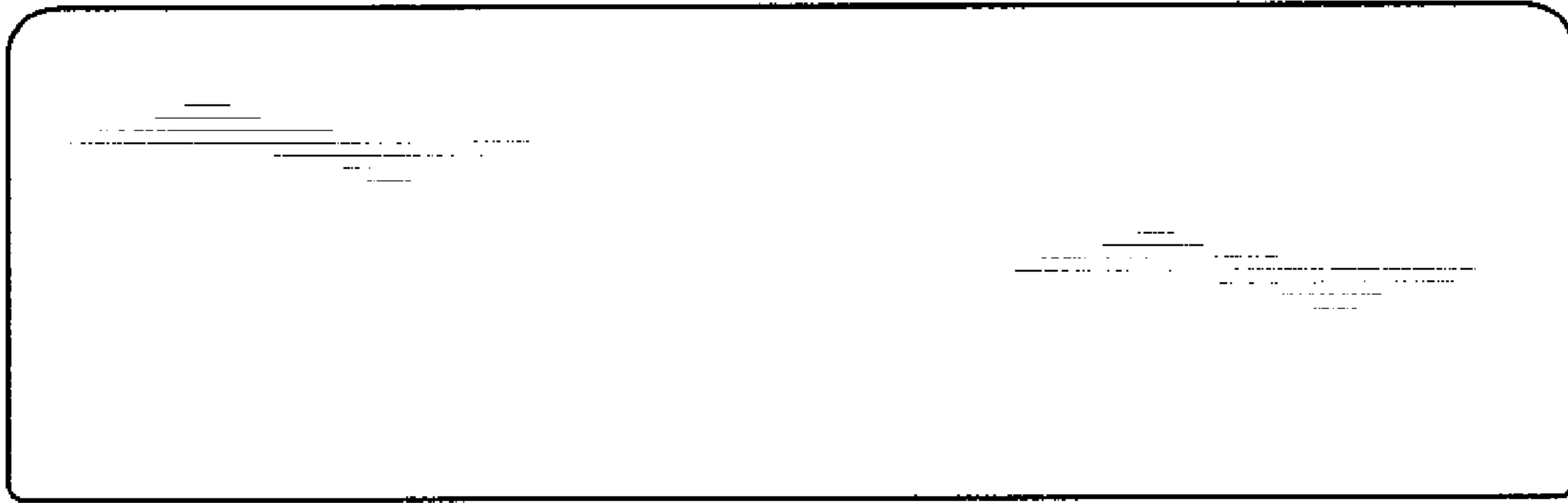


FIG. 7

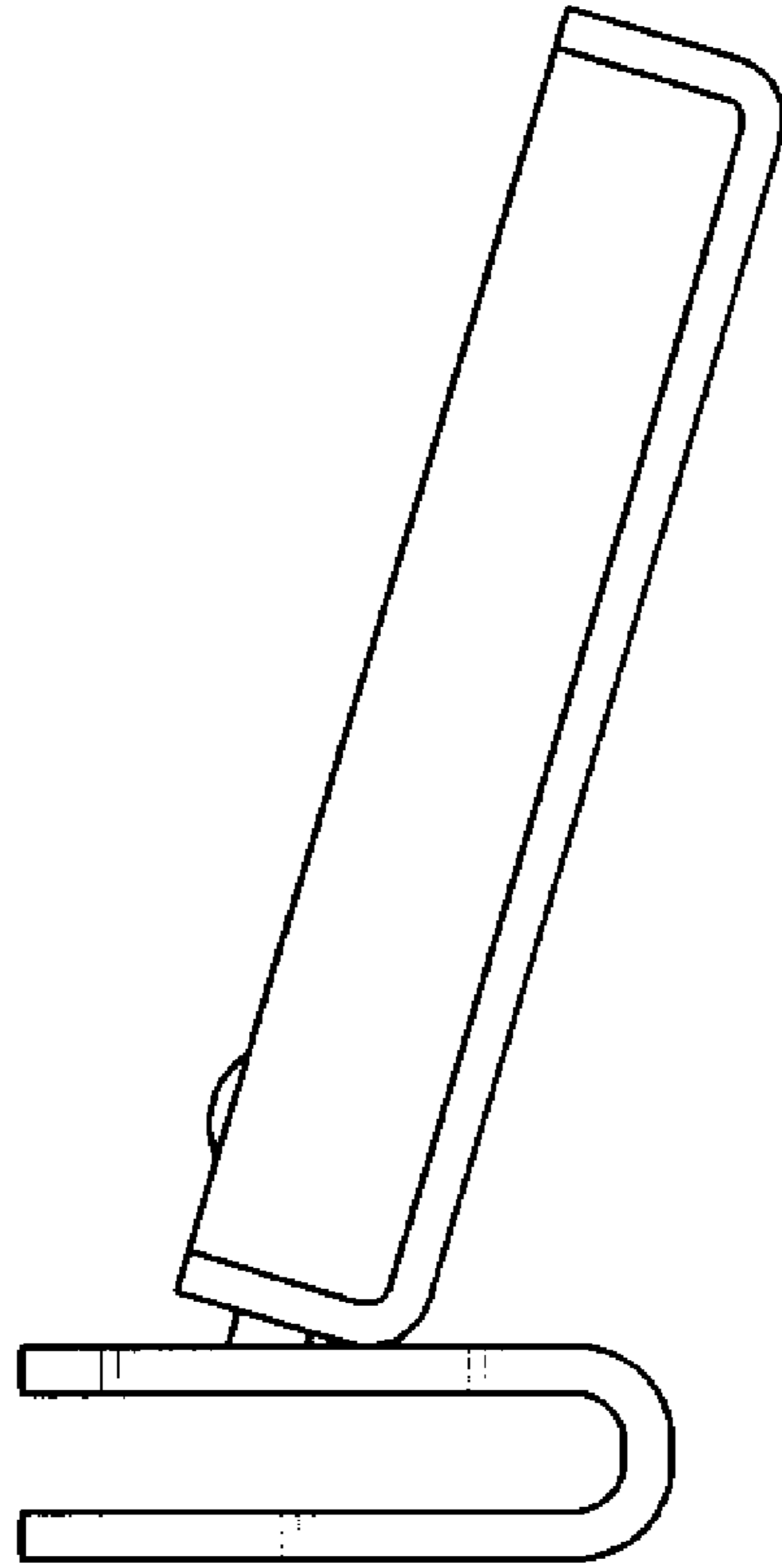


FIG. 8