



US00D564465S

(12) **United States Design Patent**
Onoda

(10) **Patent No.:** **US D564,465 S**

(45) **Date of Patent:** **** Mar. 18, 2008**

(54) **PORTION OF A TELEVISION SET**

D544,850 S * 6/2007 Kita D14/126
D549,195 S * 8/2007 Takatsuki et al. D14/128
D551,193 S * 9/2007 Ooshima et al. D14/128

(75) Inventor: **Hiroshi Onoda**, Tokyo (JP)

(73) Assignee: **Kabushiki Kaisha Toshiba** (JP)

(**) Term: **14 Years**

(21) Appl. No.: **29/259,135**

(22) Filed: **May 3, 2006**

(51) **LOC (8) Cl.** **14-03**

(52) **U.S. Cl.** **D14/126**

(58) **Field of Classification Search** D14/125-135,
D14/239, 379, 371, 374, 375, 376, 113; D13/151,
D13/153; 312/7.2; 348/836, 838, 180, 184,
348/325, 739; 341/12; 248/917-924; 345/104,
345/133, 156, 168, 87, 173; 349/1, 2, 11,
349/62; D5/55, 58, 60, 61

See application file for complete search history.

(56) **References Cited**

U.S. PATENT DOCUMENTS

D472,542 S * 4/2003 Oikawa D14/172
D474,454 S 5/2003 Izu et al.
D489,340 S 5/2004 Honda
D491,540 S 6/2004 Honda
D494,942 S * 8/2004 Forlenza D14/128
D497,146 S 10/2004 Asanuma et al.
D497,352 S 10/2004 Asanuma et al.
D503,158 S 3/2005 Asanuma et al.
D505,405 S 5/2005 Honda et al.
D508,470 S * 8/2005 Inoue et al. D14/126
D510,567 S 10/2005 Honda
D510,730 S 10/2005 Asanuma et al.
D515,048 S * 2/2006 Villalobos et al. D14/128
D532,408 S * 11/2006 Kita D14/214
D532,764 S * 11/2006 Kim et al. D14/128
D537,052 S * 2/2007 Villalobos et al. D14/128
D541,772 S * 5/2007 Kita D14/126
D541,776 S * 5/2007 Senda et al. D14/128

FOREIGN PATENT DOCUMENTS

CN 3417217D 1/2005
JP D1251291 9/2005
KR 30-0325713 6/2003
KR 30-0373362 2/2005

OTHER PUBLICATIONS

B&H Summer Catalog, pp. 120-123 and pp. 172-173, Jun. 2004.

* cited by examiner

Primary Examiner—Raphael Barkai
Assistant Examiner—Randall H Gholson
(74) *Attorney, Agent, or Firm*—Banner & Witcoff, Ltd.

(57) **CLAIM**

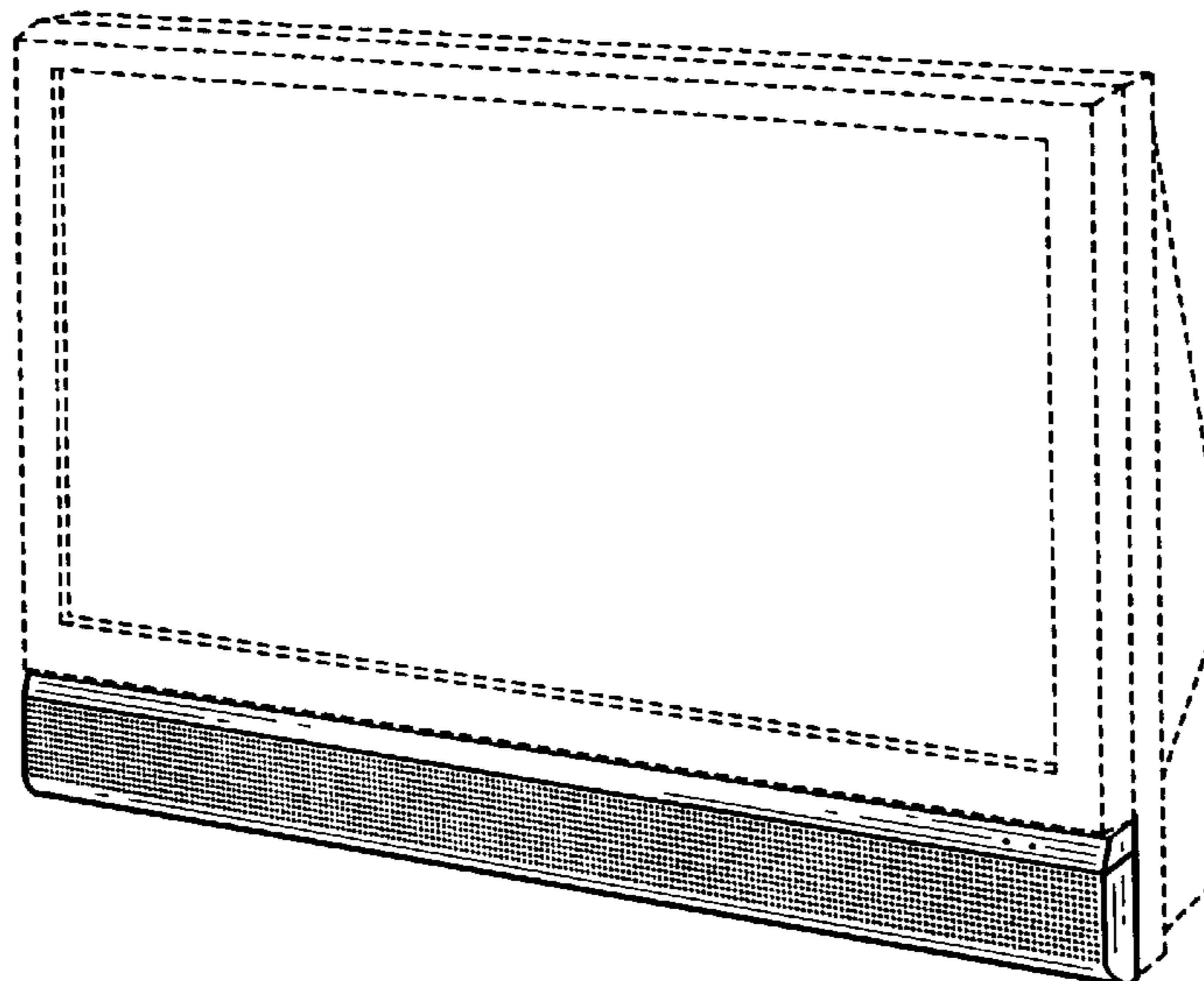
The ornamental design for a portion of a television set, as shown and described.

DESCRIPTION

FIG. 1 is a front, top and right side perspective view of a portion of a television set, showing my new design;
FIG. 2 is a front elevational view thereof;
FIG. 3 is a rear elevational view thereof;
FIG. 4 is a top plan view thereof;
FIG. 5 is a bottom plan view thereof;
FIG. 6 is a left side elevational view thereof;
FIG. 7 is a right side elevational view thereof; and,
FIG. 8 is an enlarged fragmented view thereof, taken along the line I—I in FIG 7.

The broken lines are for illustrative purposes only and form no part of the claimed design.

1 Claim, 4 Drawing Sheets



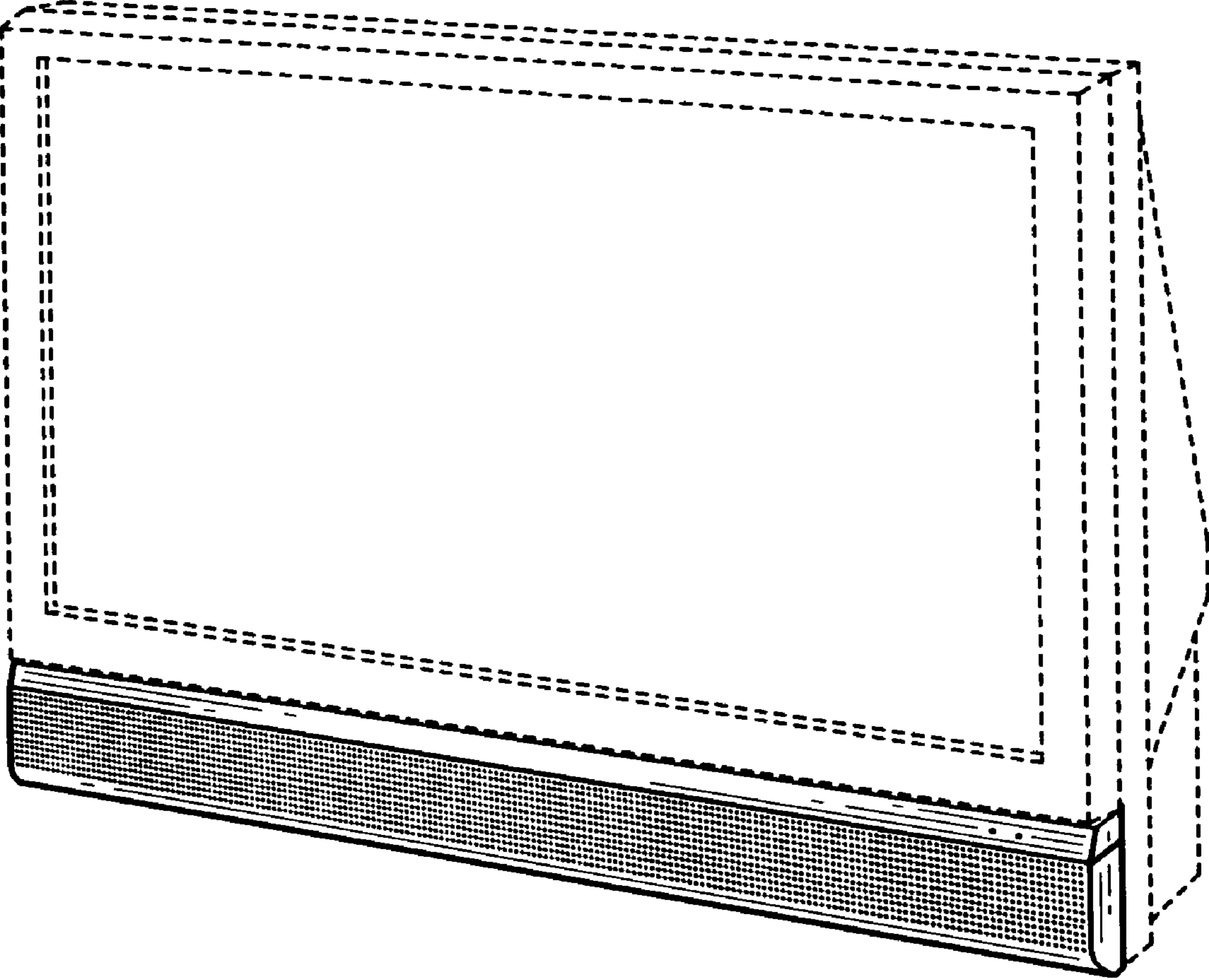


FIG. 1

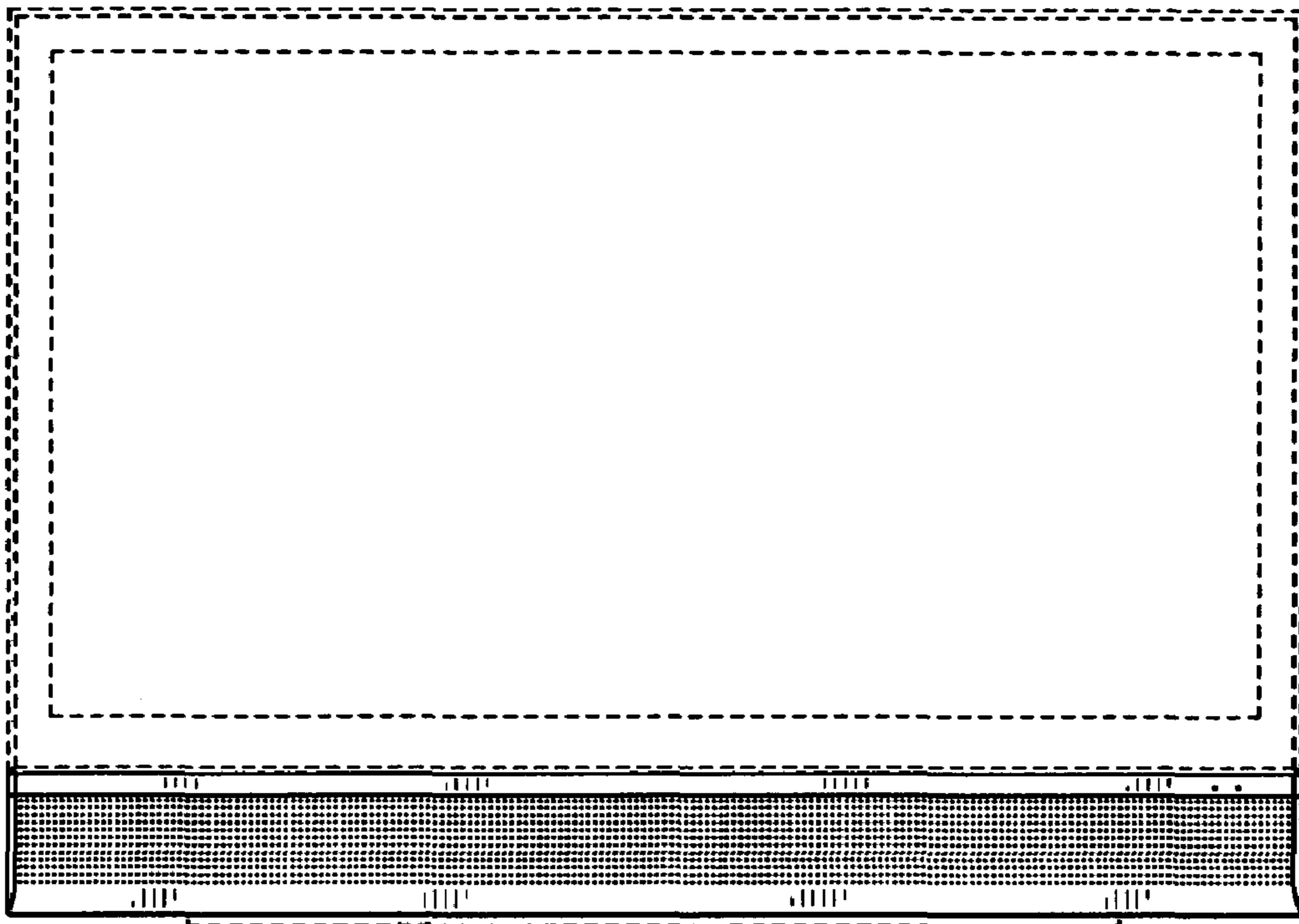


FIG. 2

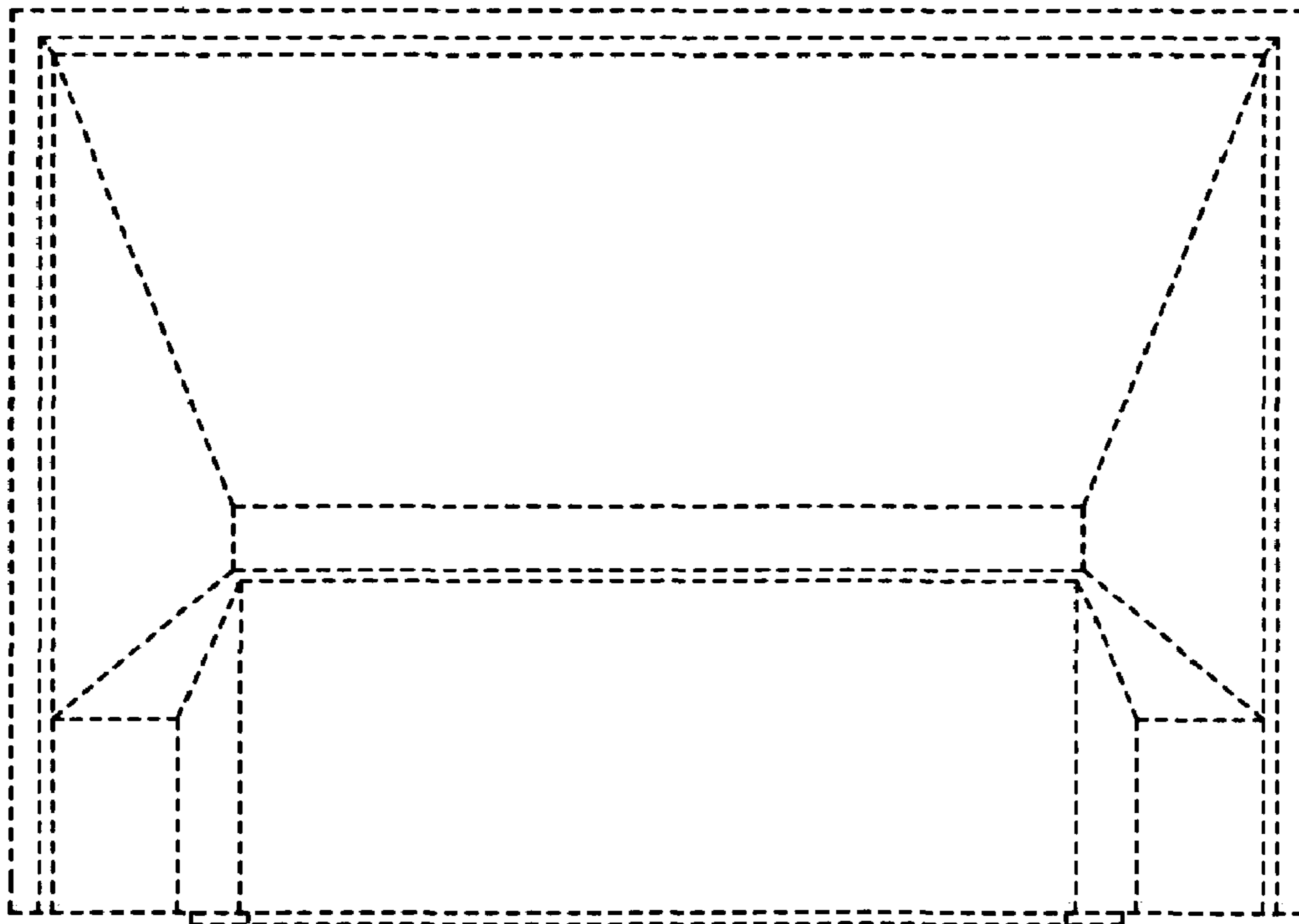


FIG. 3

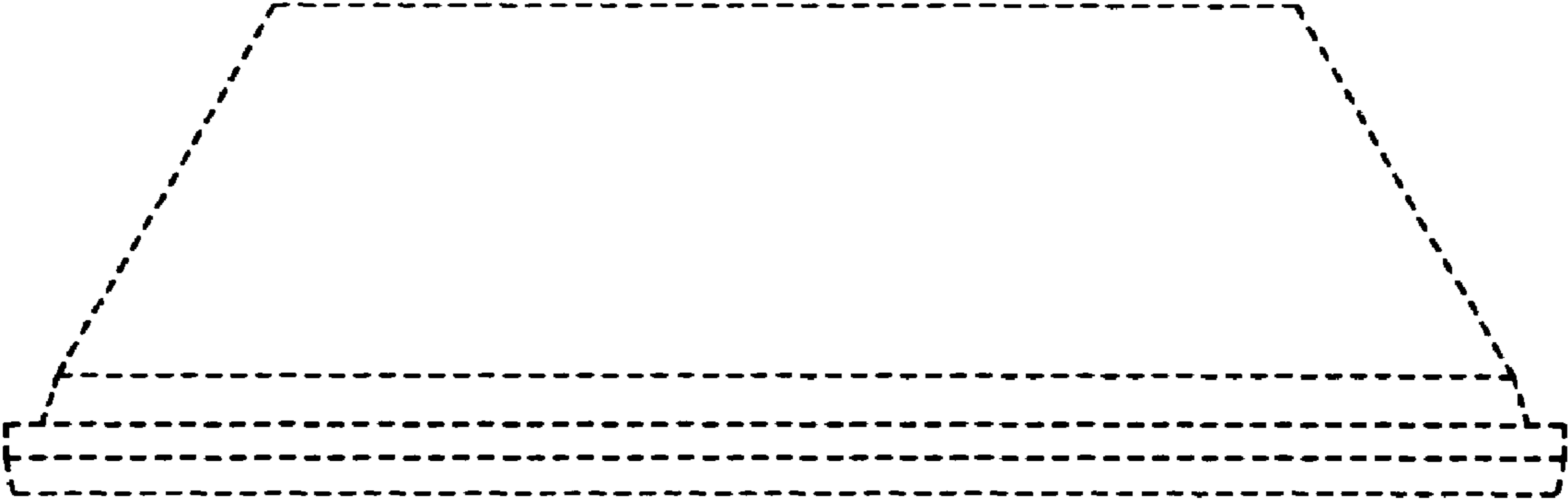


FIG. 4



FIG. 5

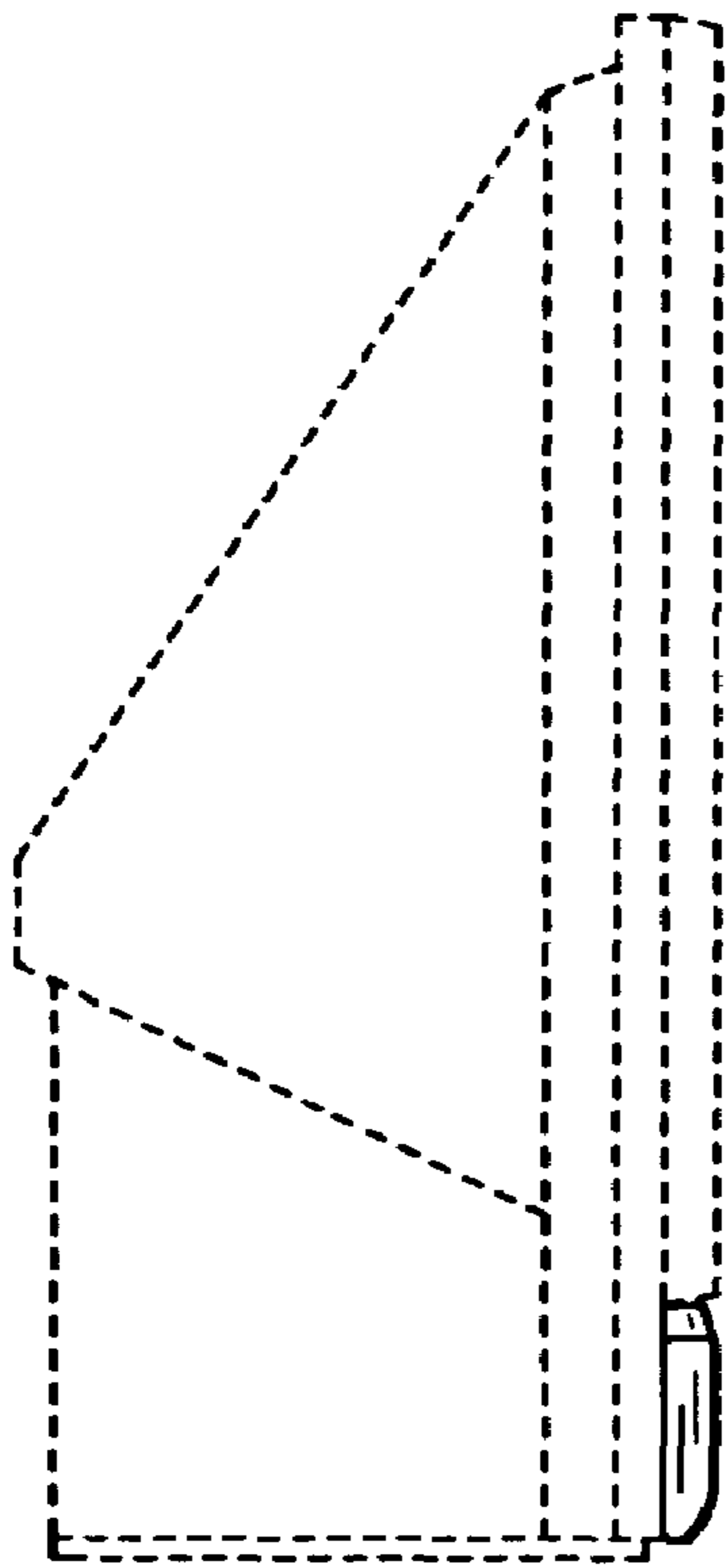


FIG. 6

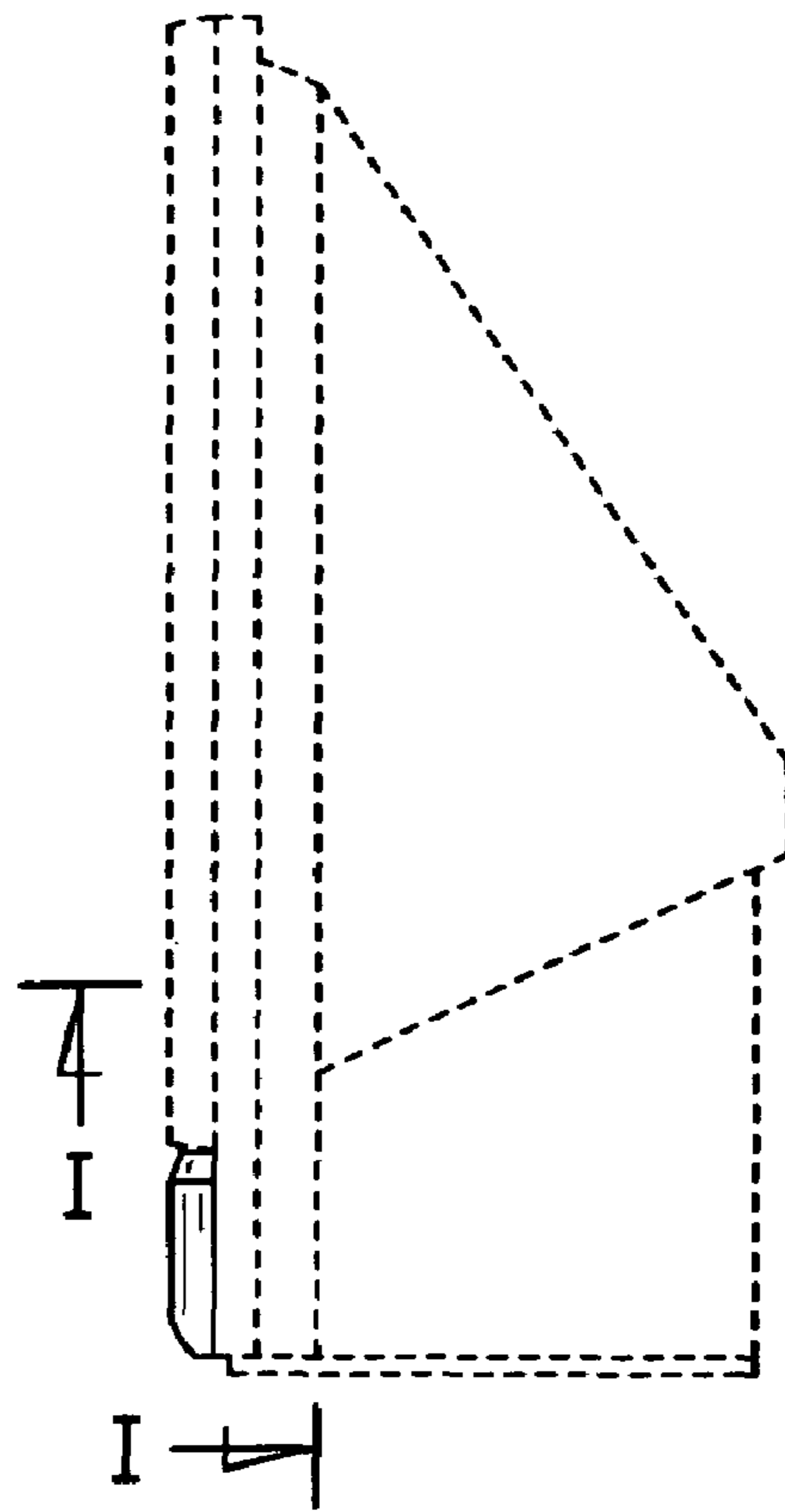


FIG. 7

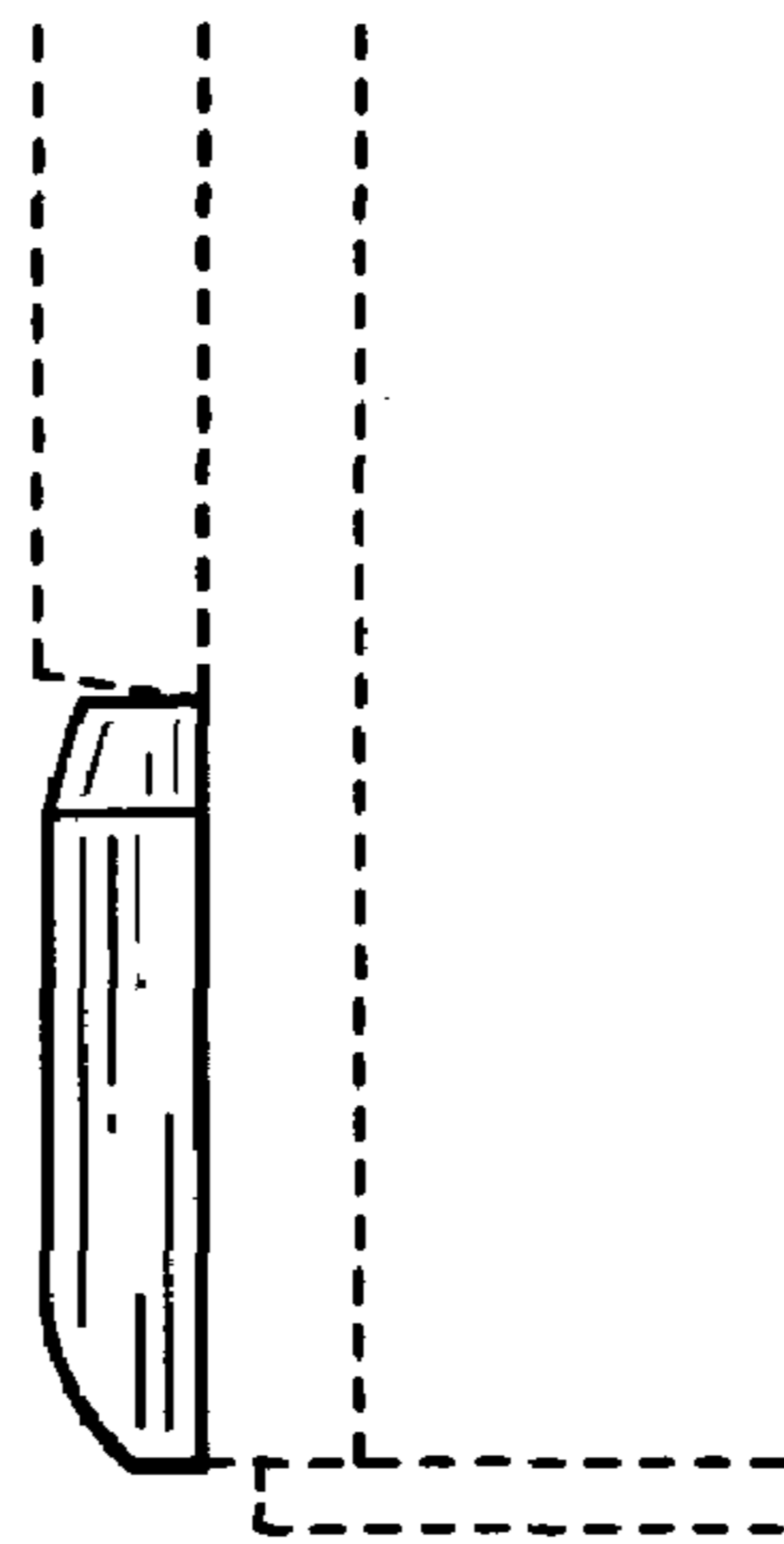


FIG. 8