



US00D564463S

(12) **United States Design Patent**
Chen et al.

(10) **Patent No.:** **US D564,463 S**
(45) **Date of Patent:** **** Mar. 18, 2008**

(54) **LCD MONITOR WITH A REMOTE CONTROLLER**

Primary Examiner—Philip S. Hyder
(74) *Attorney, Agent, or Firm*—Wei Te Chung

(75) Inventors: **Yung-Hsiang Chen**, Miao-Li (TW);
Che-Min Huang, Miao-Li (TW);
Chi-Wen Chiang, Miao-Li (TW);
Ming-Chih Huang, Miao-Li (TW);
Chun-Chien Chen, Miao-Li (TW);
Yun-Lin Liang, Miao-Li (TW)

(57) **CLAIM**

The ornamental design for an LCD monitor with a remote controller, as shown and described.

(73) Assignee: **Innolux Display Corp.**, Miao-Li County (TW)

DESCRIPTION

(**) Term: **14 Years**

FIG. 1 is a front, top, right side isometric view of an LCD monitor with a remote controller thereon showing our new design;

(21) Appl. No.: **29/243,157**

FIG. 2 is a front elevational view of the LCD monitor shown in FIG. 1;

(22) Filed: **Nov. 18, 2005**

FIG. 3 is a rear elevational view of the LCD monitor shown in FIG. 1;

(51) **LOC (8) Cl.** **14-03**

FIG. 4 is a left side elevational view of the LCD monitor shown in FIG. 1;

(52) **U.S. Cl.** **D14/126; D14/129**

FIG. 5 is a right side elevational view of the LCD monitor shown in FIG. 1;

(58) **Field of Classification Search** D14/125,
D14/126, 127, 128, 129, 133, 134, 374, 375,
D14/376; 348/836, 838, 180, 184, 325, 739,
348/787, 789; 248/917-924; 345/104, 133,
345/156, 168, 87, 173; 341/12

See application file for complete search history.

FIG. 6 is a top plan view of the LCD monitor shown in FIG. 1;

(56) **References Cited**

U.S. PATENT DOCUMENTS

D445,098 S *	7/2001	Matsuoka et al.	D14/126
D455,129 S *	4/2002	Niitsu	D14/126
D481,022 S *	10/2003	Inoue et al.	D14/126
D503,390 S *	3/2005	Sham et al.	D14/126
D505,405 S *	5/2005	Honda et al.	D14/128
D510,568 S *	10/2005	Joe et al.	D14/128
D511,754 S *	11/2005	Hirano	D14/128
D512,032 S *	11/2005	Joe et al.	D14/128
D512,033 S *	11/2005	Yoo et al.	D14/128
D532,388 S *	11/2006	Lee et al.	D14/126
D533,849 S *	12/2006	Lee et al.	D14/126
D534,511 S *	1/2007	Maeda et al.	D14/129

FIG. 7 is a bottom plan view of the LCD monitor shown in FIG. 1;

FIG. 8 is a front elevational view of the remote controller used for the LCD monitor shown in FIG. 1;

FIG. 9 is a rear elevational view of the remote controller shown in FIG. 8;

FIG. 10 is a left side elevational view of the remote controller shown in FIG. 8;

FIG. 11 is a right side elevational view of the remote controller shown in FIG. 8;

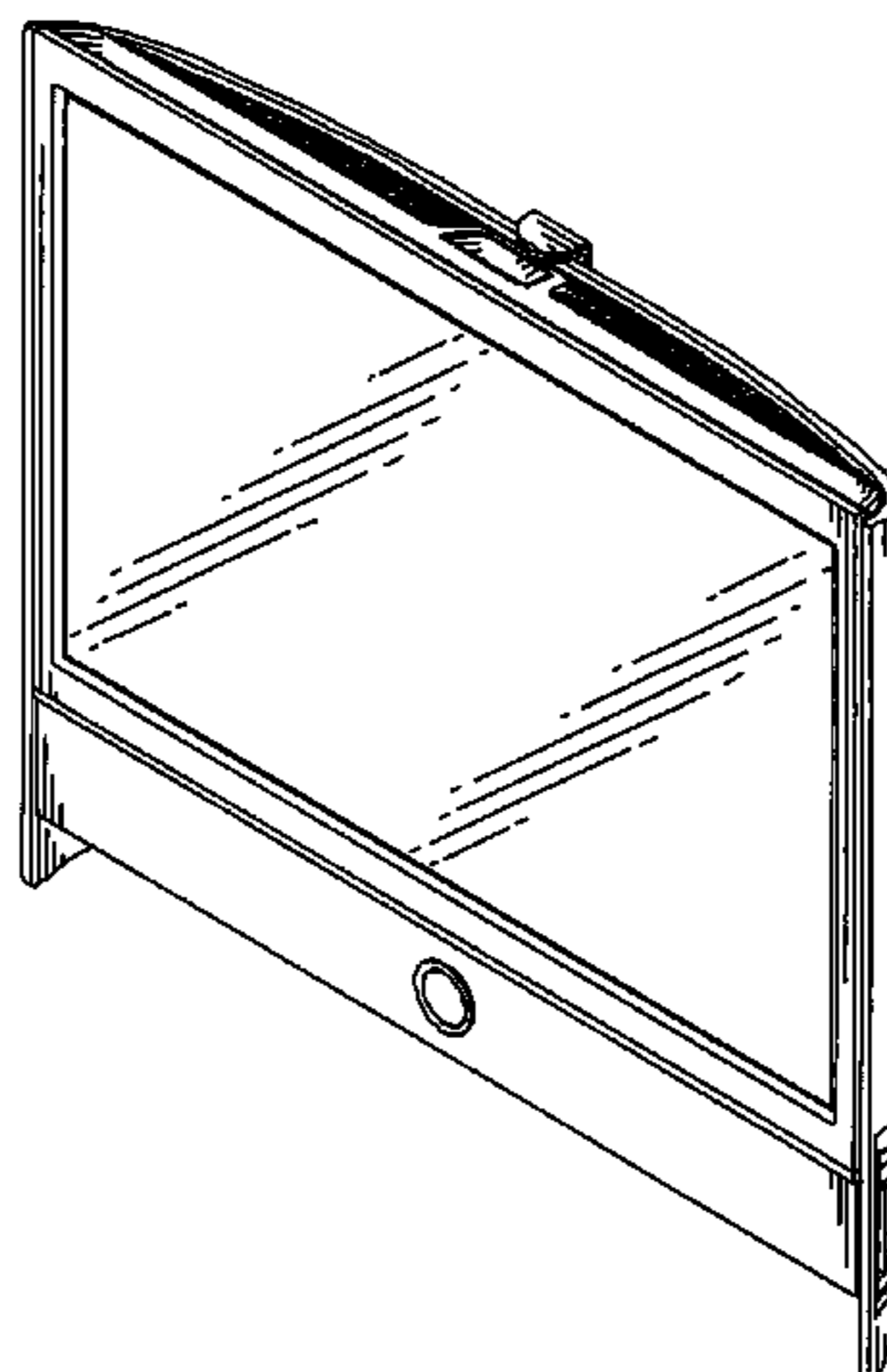
FIG. 12 is a top plan view of the remote controller shown in FIG. 8;

FIG. 13 is a bottom plan view of the remote controller shown in FIG. 8; and,

FIG. 14 is a rear, top, left side isometric view of the LCD monitor in use with the remote controller thereon, showing a camera extending from a top surface of the LCD monitor.

* cited by examiner

1 Claim, 10 Drawing Sheets



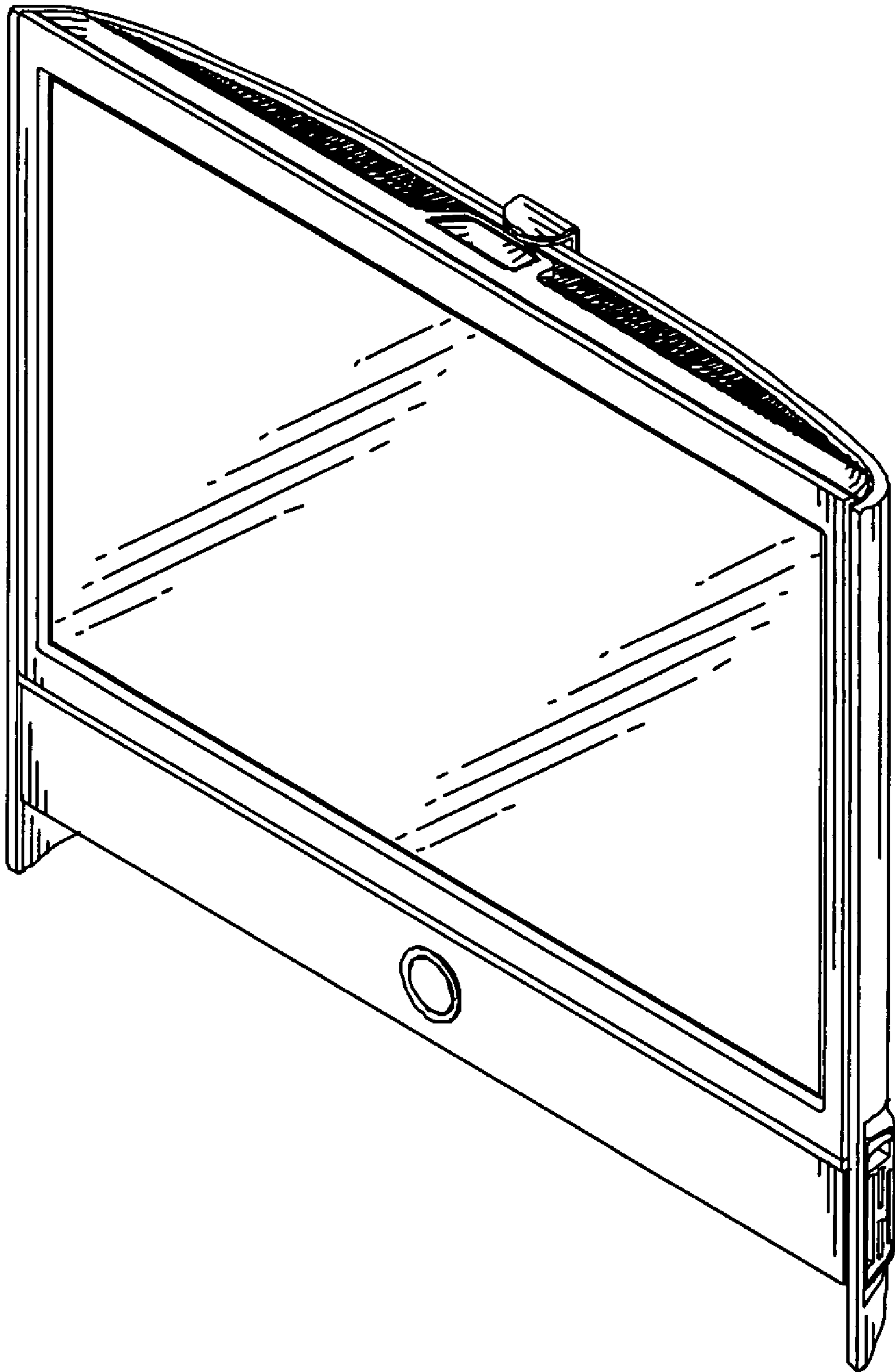


FIG. 1

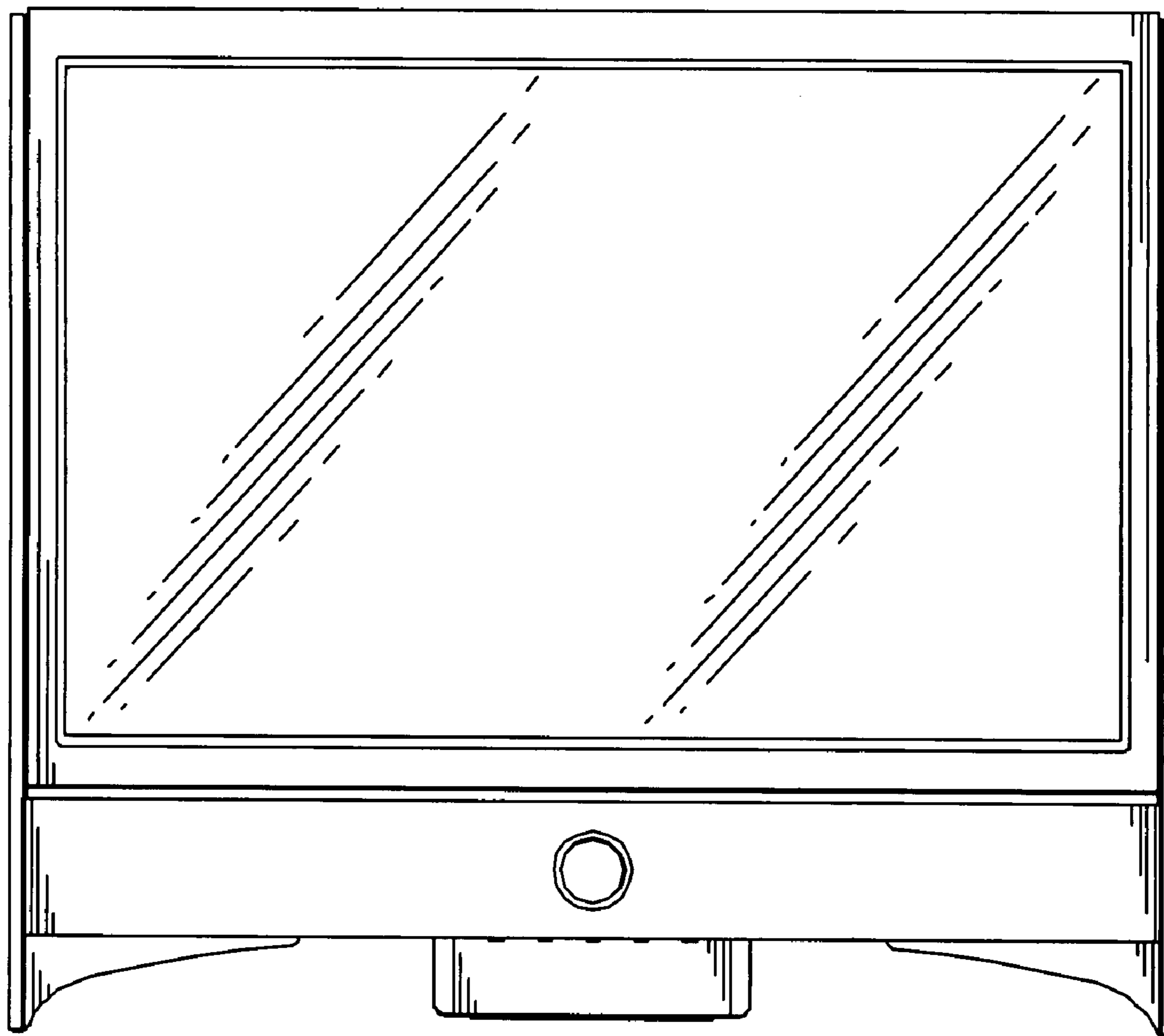


FIG. 2

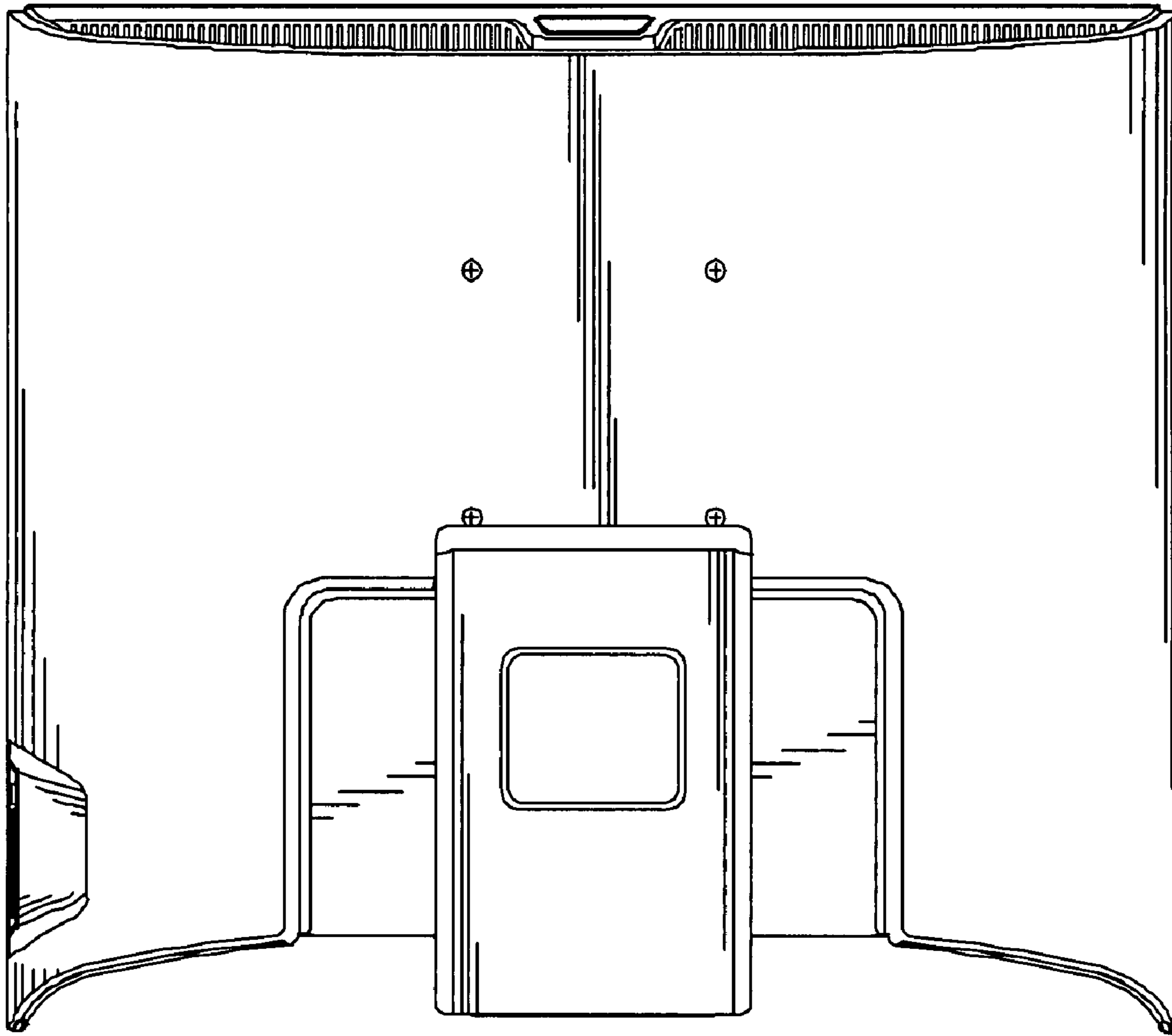


FIG. 3

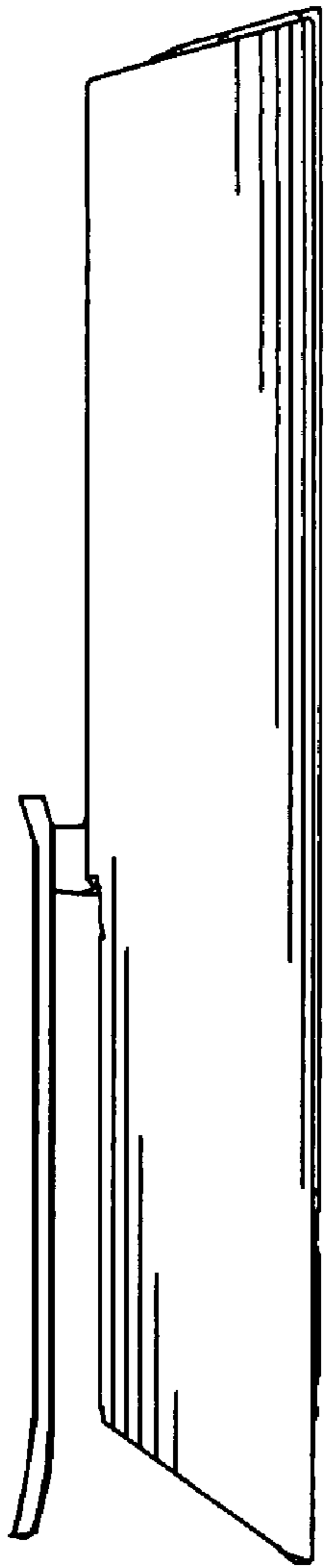


FIG. 4

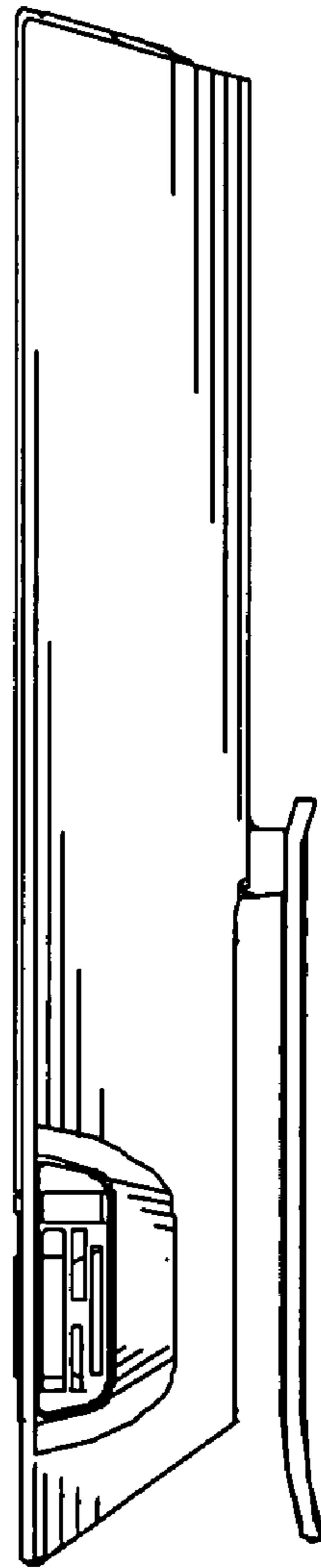


FIG. 5

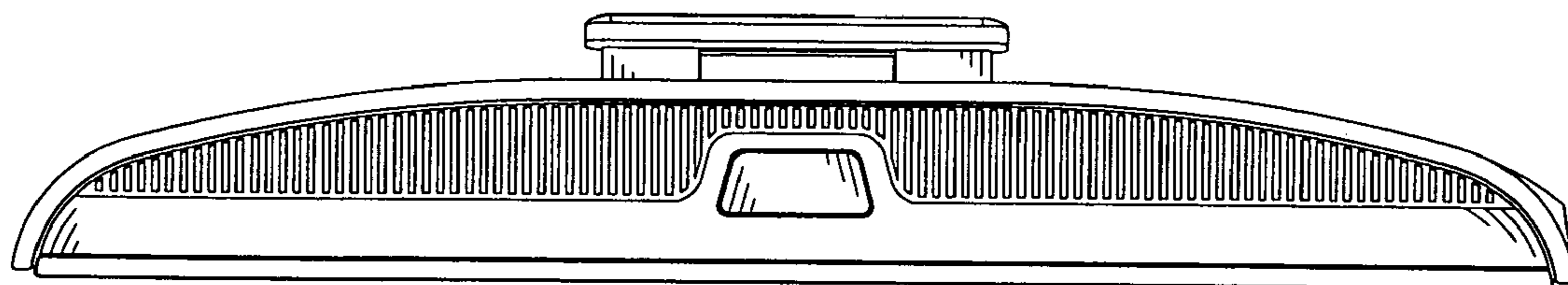


FIG. 6

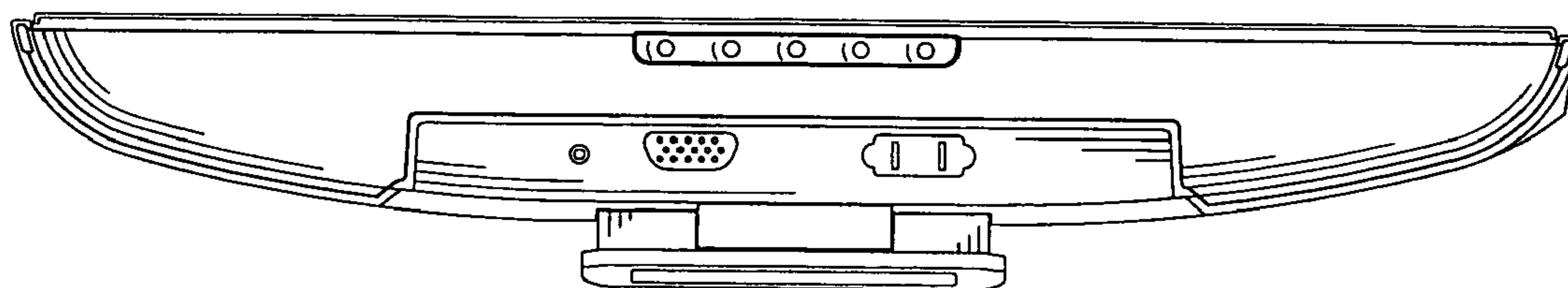


FIG. 7

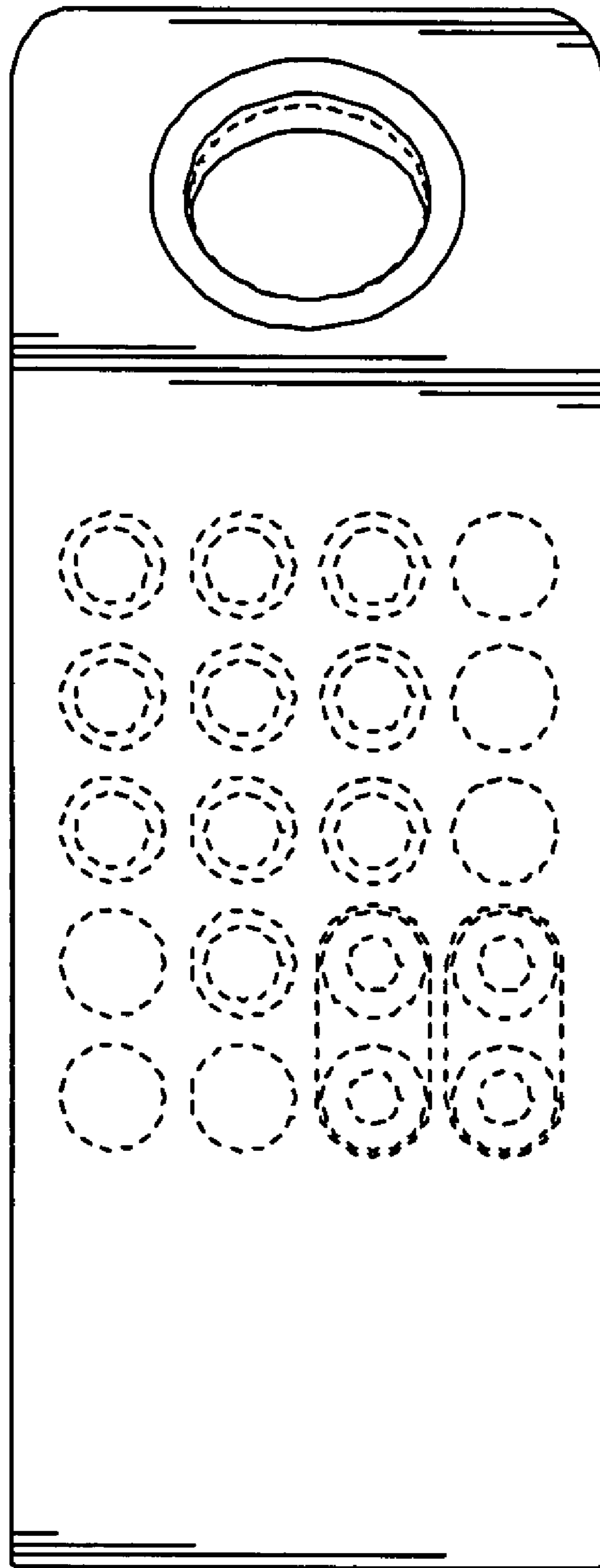


FIG. 8

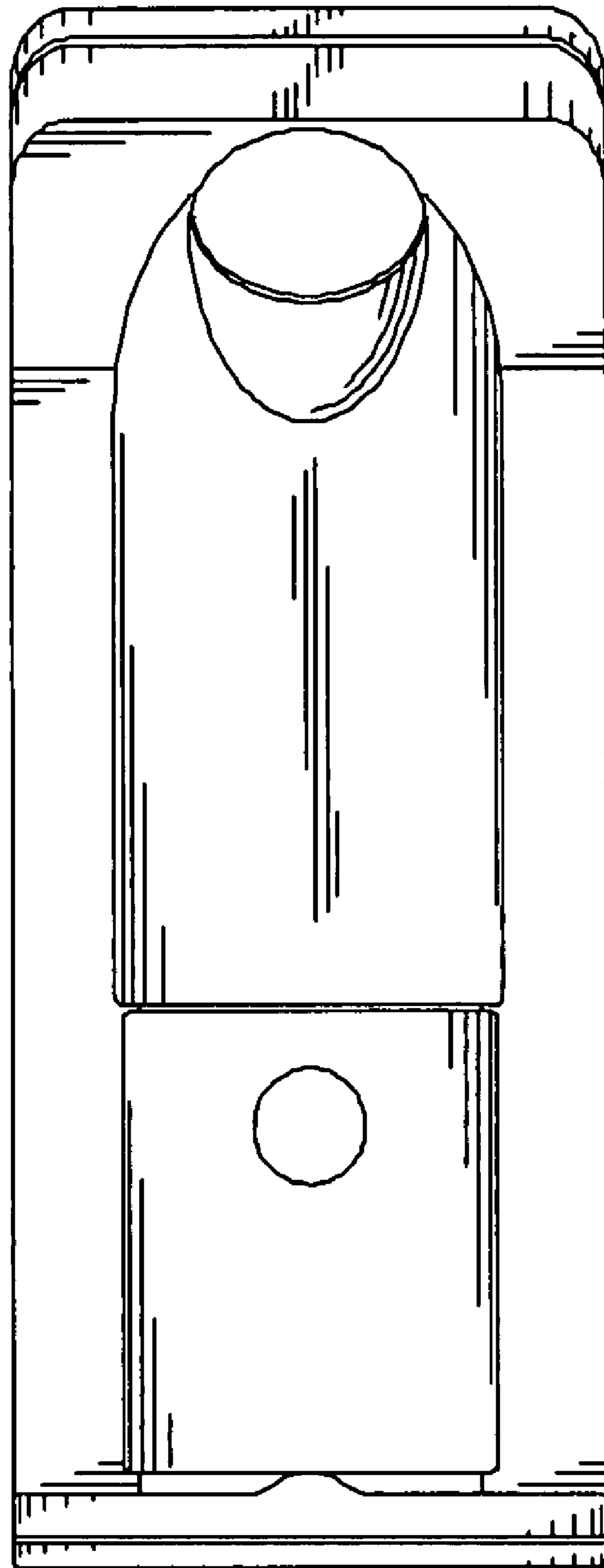


FIG. 9



FIG. 10



FIG. 11

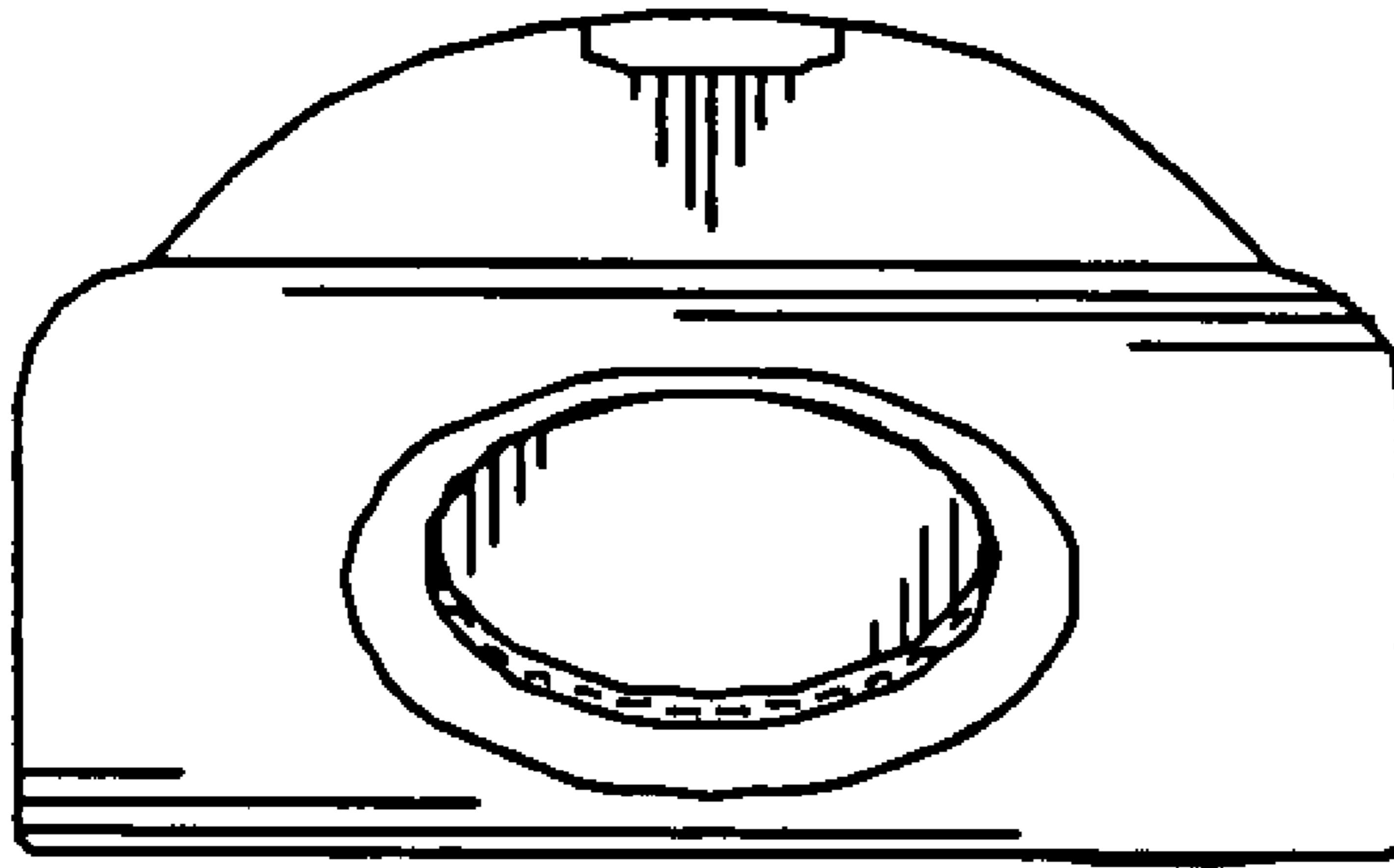


FIG. 12

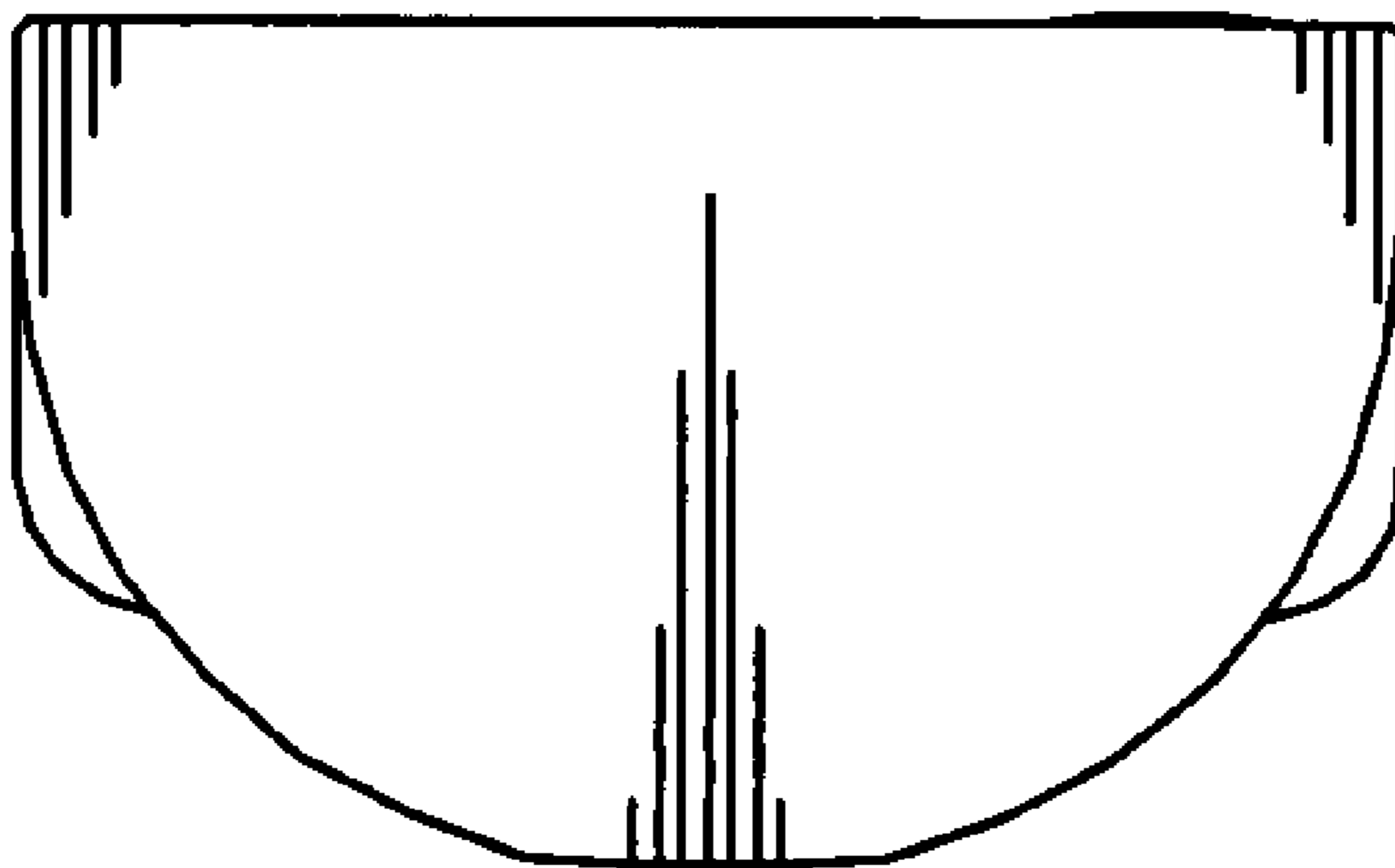


FIG. 13

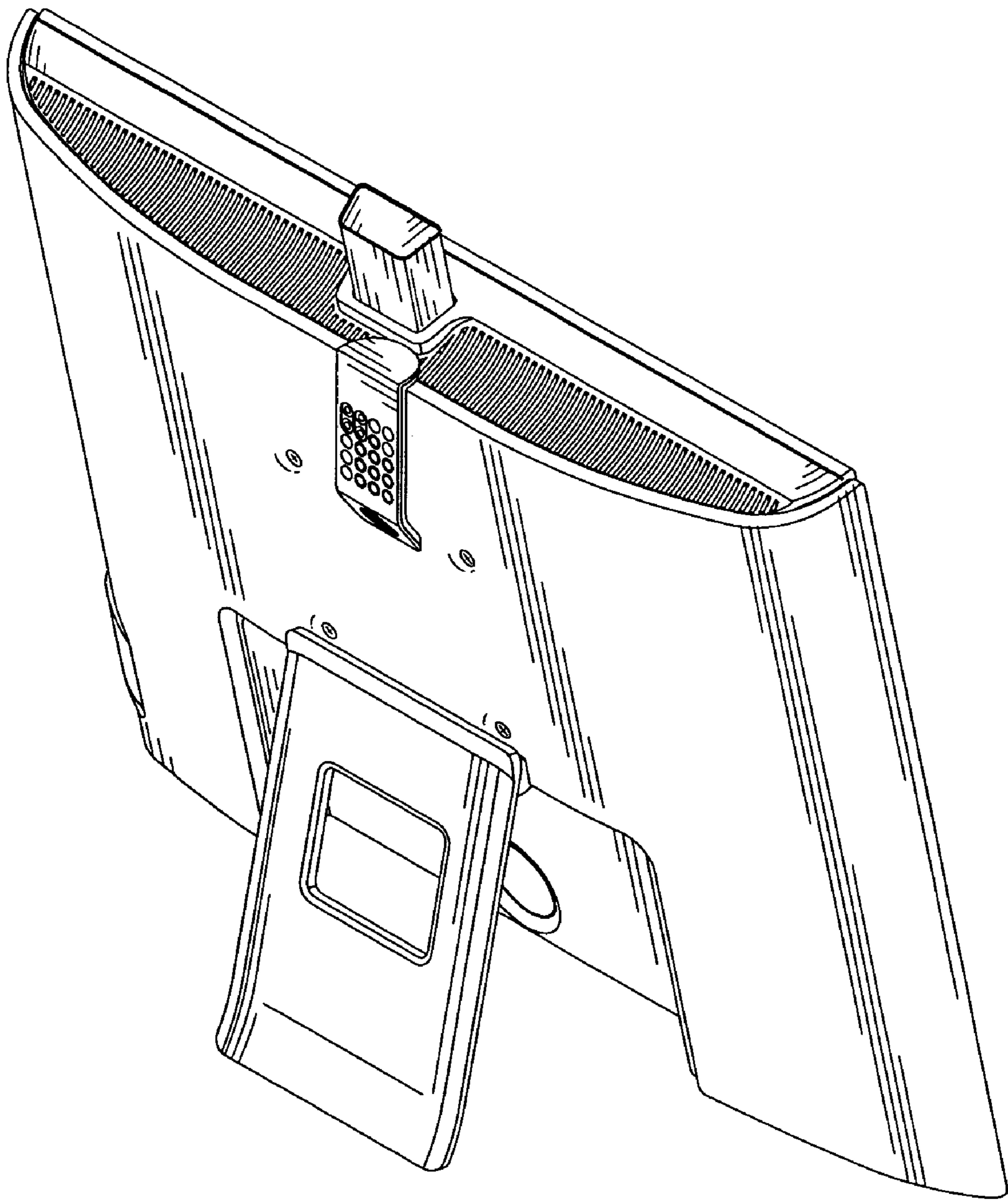


FIG. 14