



US00D564462S

(12) **United States Design Patent**  
**Ishii et al.**

(10) **Patent No.:** **US D564,462 S**

(45) **Date of Patent:** **\*\* Mar. 18, 2008**

(54) **RF ELECTRODE FOR A PROCESS TUBE OF SEMICONDUCTOR MANUFACTURING APPARATUS**

(75) Inventors: **Katsutoshi Ishii**, Tokyo (JP); **Hiroyuki Matsuura**, Tokyo (JP)

(73) Assignee: **Tokyo Electron Limited**, Tokyo-To (JP)

(\*\*) Term: **14 Years**

(21) Appl. No.: **29/260,830**

(22) Filed: **Jun. 2, 2006**

(30) **Foreign Application Priority Data**

Dec. 27, 2005 (JP) ..... 2005-038333

(51) **LOC (8) Cl.** ..... **13-03**

(52) **U.S. Cl.** ..... **D13/182**

(58) **Field of Classification Search** ..... D13/199,  
D13/182, 181, 180, 165, 166; D24/187,  
D24/170, 144, 233; 205/98, 256, 272, 284,  
205/292, 336, 375, 399, 400, 528, 576, 588,  
205/708, 730, 143, 148, 732, 733, 737, 738,  
205/739; 385/40; 314/34

See application file for complete search history.

(56) **References Cited**

U.S. PATENT DOCUMENTS

2,481,079 A \* 9/1949 Casey ..... 241/27  
3,323,954 A \* 6/1967 Goorissen ..... 117/99  
D320,446 S \* 10/1991 Grossi et al. .... D24/144  
D436,138 S \* 1/2001 Chiasson ..... D21/757  
6,277,260 B1 \* 8/2001 Kaufman et al. .... 205/96

\* cited by examiner

*Primary Examiner*—Robert M. Spear

*Assistant Examiner*—Anna K Dworzecka

(74) *Attorney, Agent, or Firm*—Smith, Gambrell & Russell, LLP

(57) **CLAIM**

The ornamental design for a RF electrode for a process tube of semiconductor manufacturing apparatus, as shown and described.

**DESCRIPTION**

FIG. 1 is a front view of a RF electrode for a process tube of semiconductor manufacturing apparatus showing our new design;

FIG. 2 is a back view thereof;

FIG. 3 is a plan view thereof;

FIG. 4 is a left side view thereof;

FIG. 5 is a right side view thereof;

FIG. 6 is an enlarged sectional view taken along with line VI—VI of FIG. 1;

FIG. 7 is an enlarged sectional view taken along with line VII—VII of FIG. 1;

FIG. 8 is a perspective view as seen from the front side thereof;

FIG. 9 is a reference drawing showing a state of use of a RF electrode; and,

FIG. 10 is a reference drawing showing a state of use of a RF electrode.

**1 Claim, 5 Drawing Sheets**

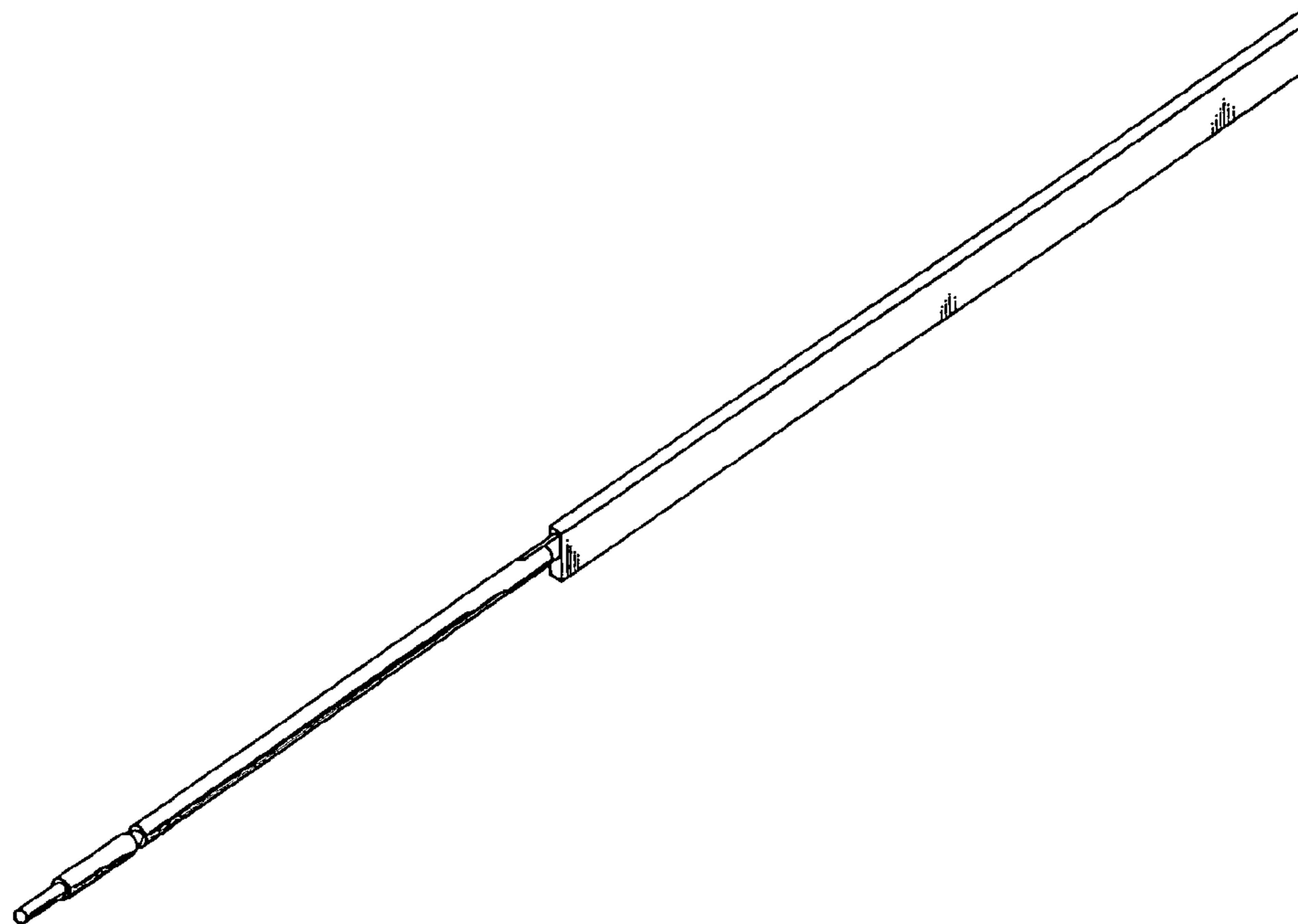


FIG.1

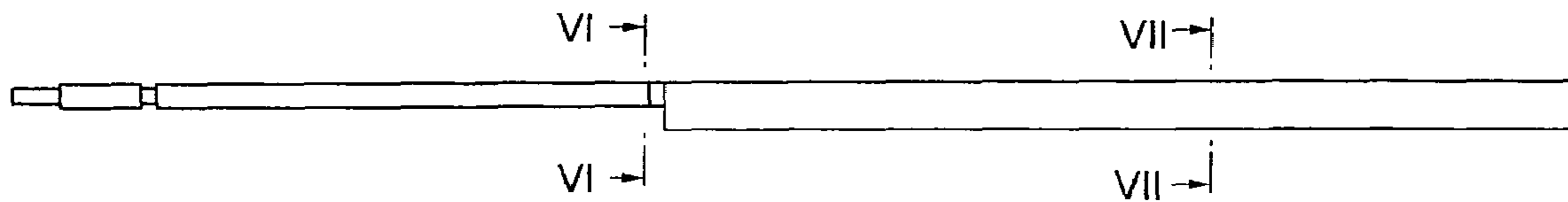


FIG.2



FIG.3

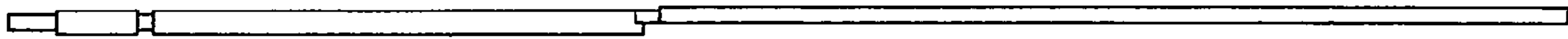


FIG.4



FIG.5



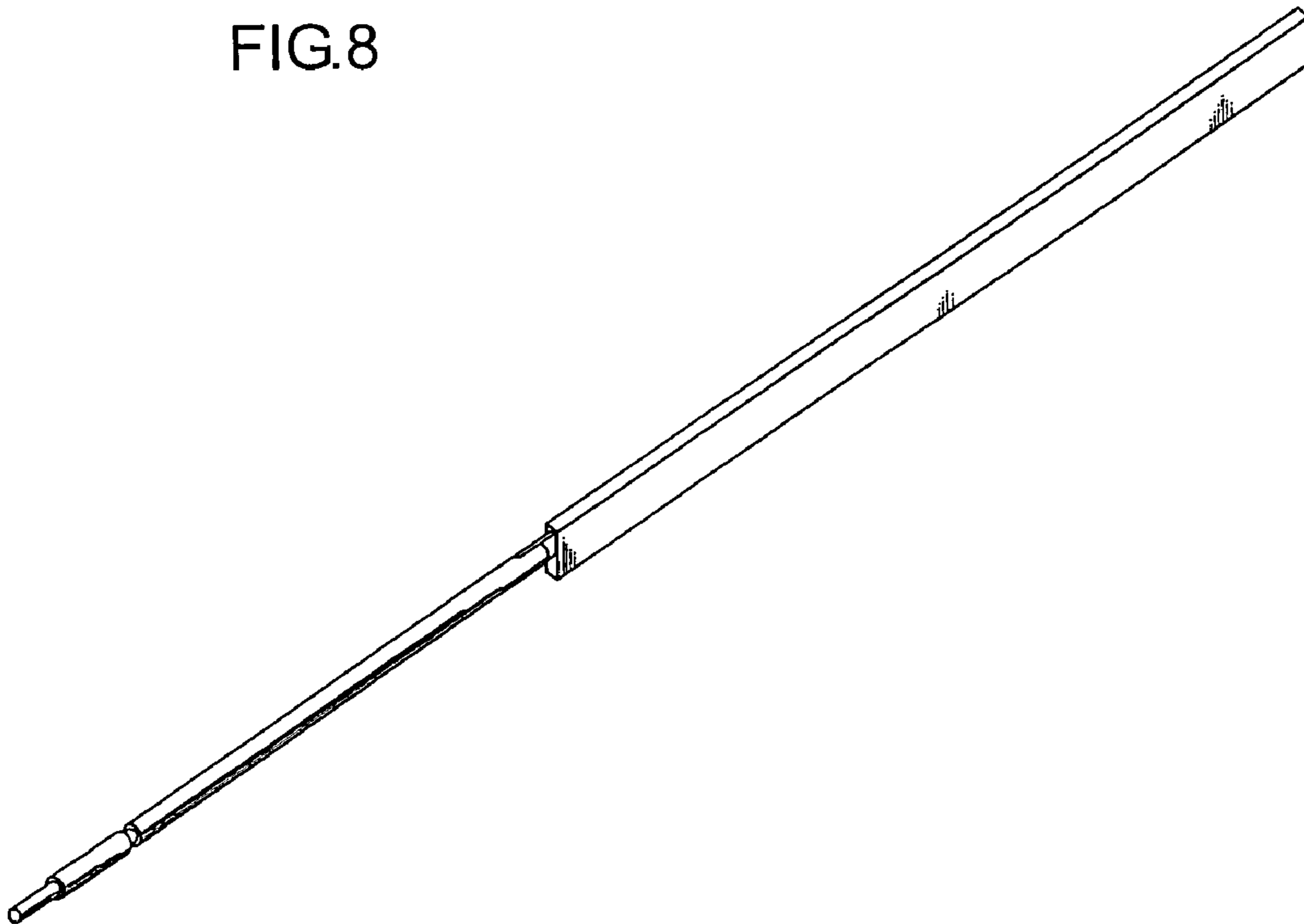
FIG.6



FIG.7



FIG.8



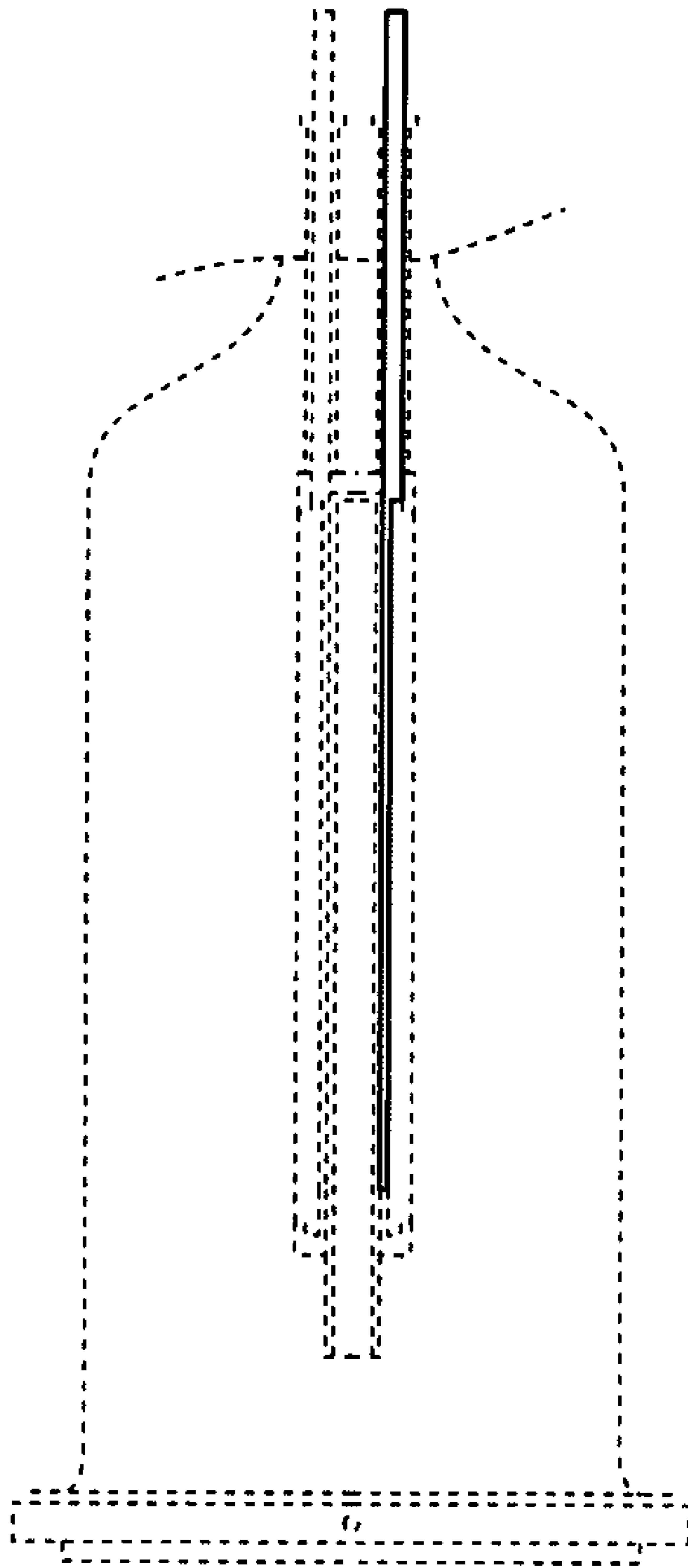


FIG. 9

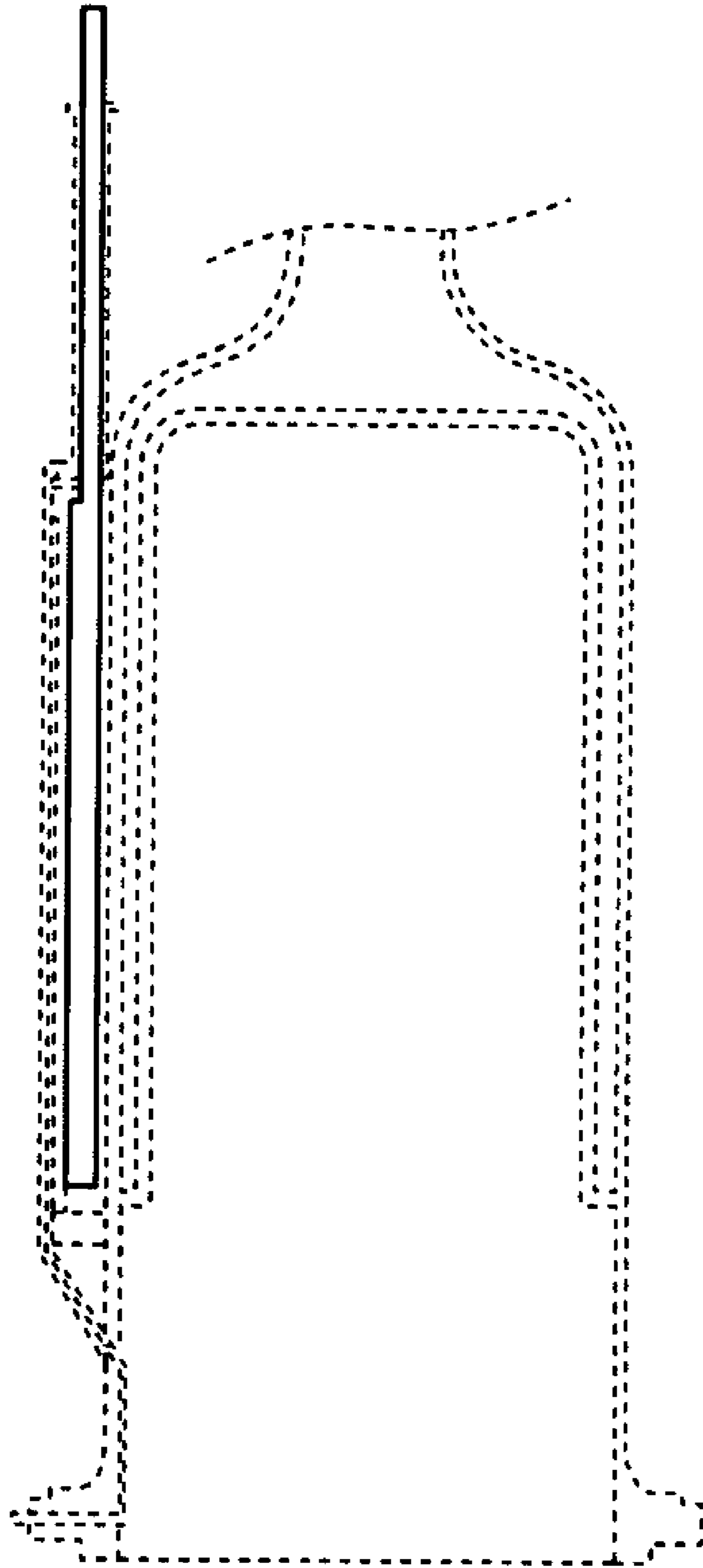


FIG. 10